



US00D924508S

(12) **United States Design Patent** (10) **Patent No.:** **US D924,508 S**
Zhang et al. (45) **Date of Patent:** **** Jul. 6, 2021**

(54) **HOME ROBOT**

FOREIGN PATENT DOCUMENTS

(71) Applicant: **Trifo, Inc.**, Santa Clara, CA (US)

CN 303330019 * 8/2015
CN 303949725 * 11/2016

(72) Inventors: **Zhe Zhang**, Sunnyvale, CA (US);
Zhongwei Li, Beijing (CN)

(Continued)

(73) Assignee: **Trifo, Inc.**, Santa Clara, CA (US)

OTHER PUBLICATIONS

(**) Term: **15 Years**

Trifo Ma Home Robot Vacuum Cleaner, available in Amazon.com, date first available Oct. 28, 2019 [online], [site visited Dec. 21, 2020], Available from the internet URL: https://www.amazon.com/dp/B07ZP31JWL/ref=cm_sw_r_em_apa_fabc_7-b3Fb8281HV5 (Year: 2019).*

(21) Appl. No.: **29/693,094**

(Continued)

(22) Filed: **May 30, 2019**

(51) **LOC (13) Cl.** **15-05**

(52) **U.S. Cl.**
USPC **D32/21**

(58) **Field of Classification Search**
USPC D32/21, 31; D21/526, 578; D8/70, 310,
D8/330; D10/37, 38, 50, 106.2, 106.5;
D13/108, 209; D23/254

See application file for complete search history.

Primary Examiner — Dana K Weiland
Assistant Examiner — Jennylou M Binas

(74) *Attorney, Agent, or Firm* — Haynes Beffel & Wolfeld LLP; Ernest J. Beffel, Jr.; Paul A. Durdik

(56) **References Cited**

(57) **CLAIM**

U.S. PATENT DOCUMENTS

The ornamental design for a home robot, as shown and described.

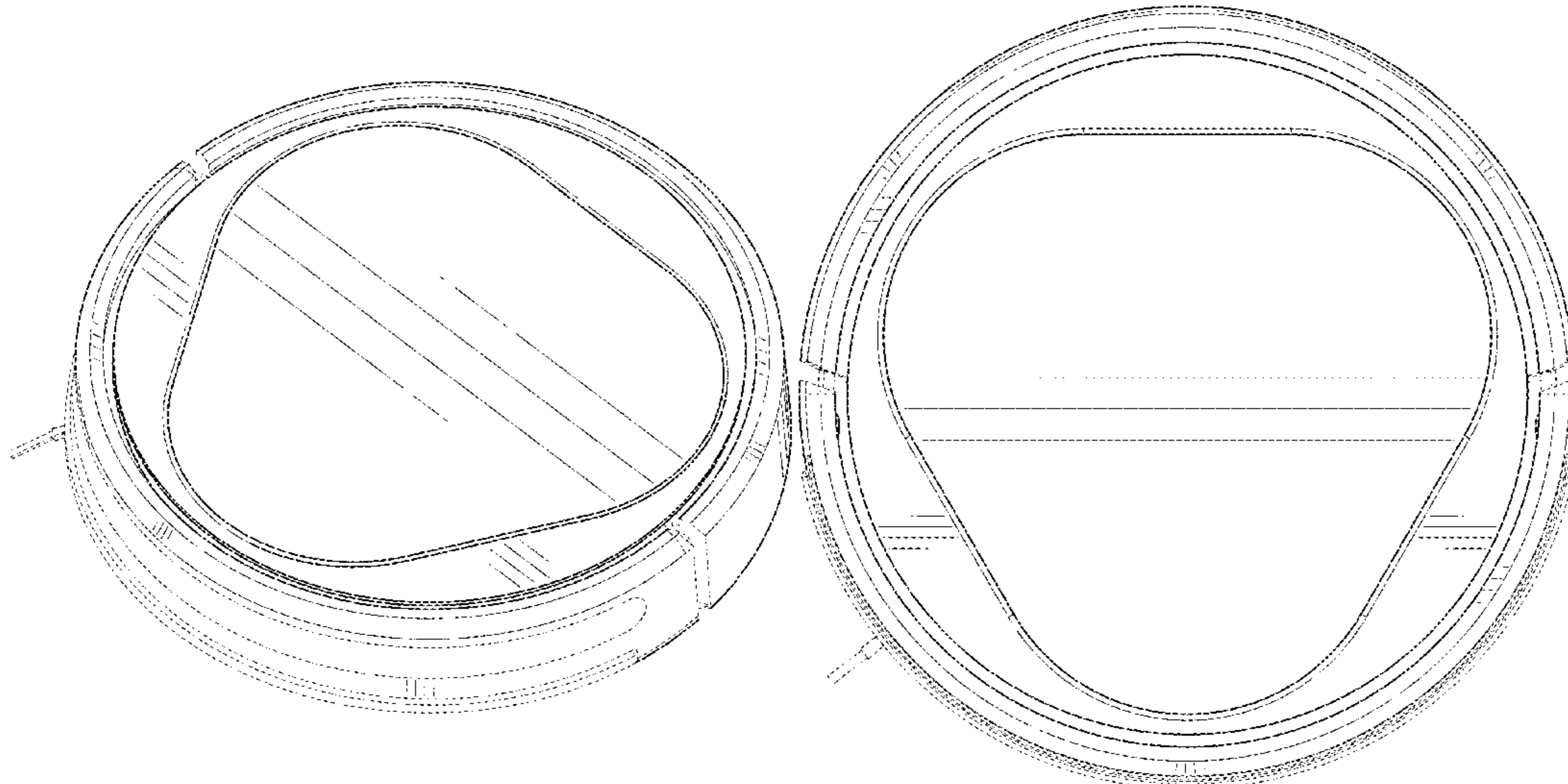
D368,373 S *	4/1996	Shimatsu	D4/101
D436,051 S *	1/2001	Ward	D10/106.2
D512,437 S *	12/2005	Tierney	D14/203.6
D527,854 S *	9/2006	Marzynski	D15/199
D615,067 S *	5/2010	Wilson	D14/215
D620,889 S *	8/2010	Smith	D13/138.2
D628,218 S *	11/2010	Tommassini	D15/138
D693,887 S *	11/2013	Smith	D21/443
D741,635 S *	10/2015	Sneve	D6/716
D743,646 S *	11/2015	Fjellman	D32/21
D756,577 S *	5/2016	Fjellman	D32/21
D766,524 S *	9/2016	Ochi	D32/21
D806,707 S *	1/2018	Nalbandian	D14/349
D830,417 S *	10/2018	Sekula	D15/7
D866,979 S *	11/2019	Lee	D3/318
D893,819 S *	8/2020	Li	D32/21
2008/0190444 A1 *	8/2008	Bennett	A45D 33/16 132/306

DESCRIPTION

FIG. 1 is a top, right perspective view of a home robot showing our new design;
FIG. 2 is a front elevation view thereof;
FIG. 3 is a rear elevation view thereof;
FIG. 4 is a left-side elevation view thereof;
FIG. 5 is a right-side elevation view thereof;
FIG. 6 is a top plan view thereof; and,
FIG. 7 is a bottom plan view thereof.
The broken lines show portions of the home robot that form no part of the claimed design.

(Continued)

1 Claim, 7 Drawing Sheets



(56)

References Cited

U.S. PATENT DOCUMENTS

2009/0126143 A1* 5/2009 Haegermarck A47L 9/00
 15/319
 2017/0273524 A1* 9/2017 Klintemyr A47L 9/0411
 2019/0142234 A1* 5/2019 Yoon G05D 1/0238
 701/23
 2019/0290091 A1* 9/2019 Liang A47L 11/24
 2020/0146523 A1* 5/2020 Fujieda A47L 9/0613

FOREIGN PATENT DOCUMENTS

JP D1531588 * 8/2018
 WO D207962-001 * 10/2020

OTHER PUBLICATIONS

Trifo Emma Essential Robot Vacuum Cleaner ,available in Amazon.com, date first available Mar. 17, 2020 [online], [site visited Dec. 21, 2020]. Available from the internet URL: https://www.amazon.com/dp/B08624B7VQ/ref=cm_sw_r_em_apai_eGolFbNKC3V51 (Year : 2020).*

CoredyL900,Date 1st AvailableAmazon.com,Jun. 22, 2020[onlin],[SiteVisted Dec. 21, 2020],Available interntURL:Amazon.com—Coredy L900 Robot Vacuum Cleaner, Smart Laser Navigation, Precision AI Mapping Technology, Works with Alexa, 2-in-1 Vacuum & Mop Robotic Vacuum, 2700pa Power Suction, Ideal for Pet Hair—(Year: 2020).*

Trifo’s Lucy robot vacuum, available in techive.com, announced Jan. 8, 2020 [online], [site visited Dec. 21, 2020], Internet URL: <https://www.techhive.com/article/3512645/trifo-s-lucy-robot-vacuum-ces-2020.html> (Year: 2020).*

* cited by examiner

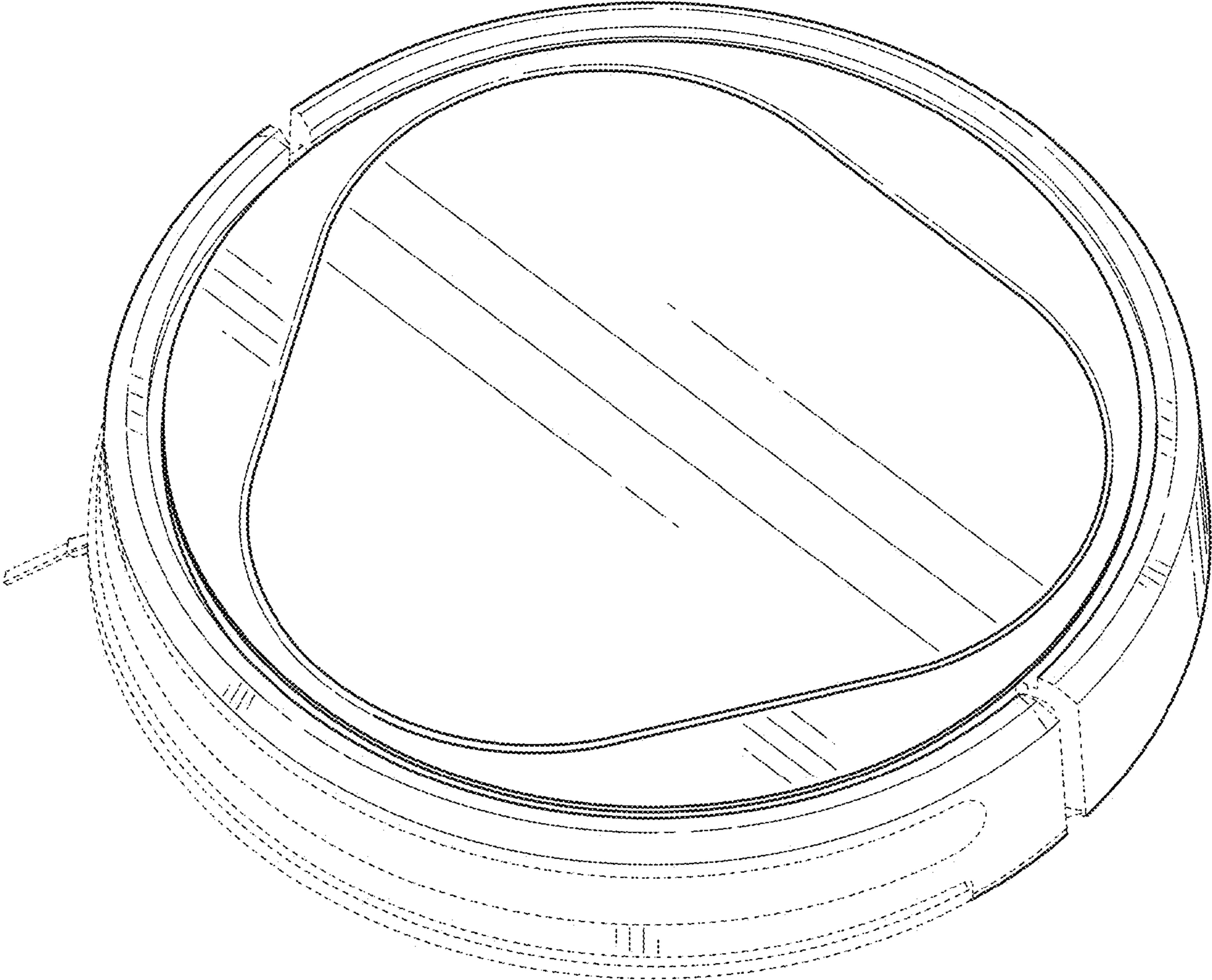


FIG. 1

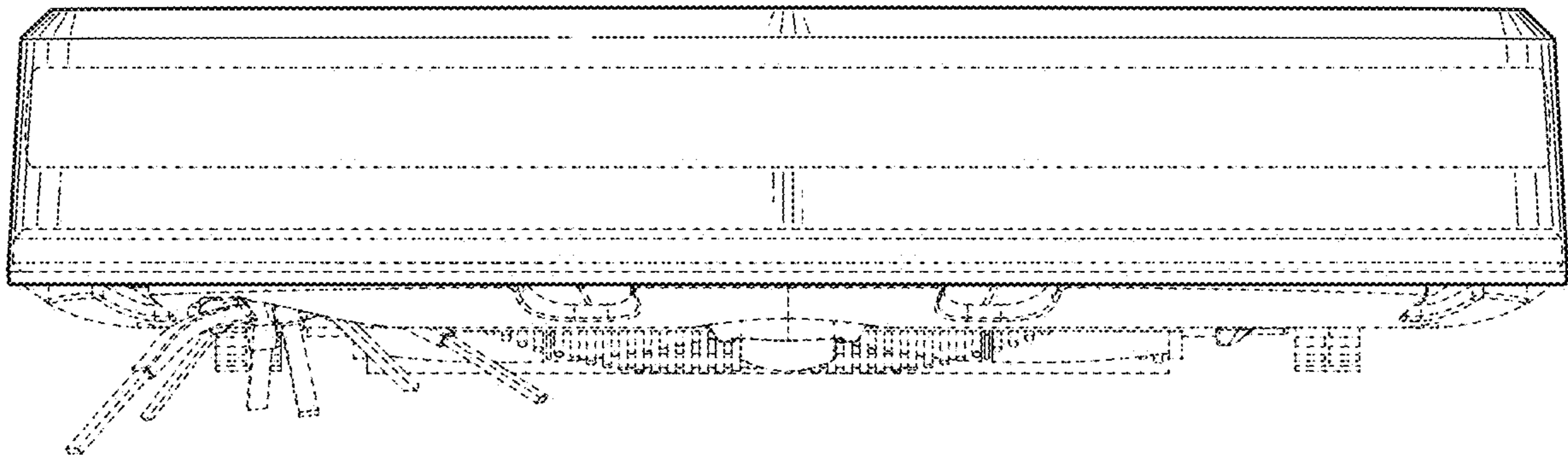


FIG. 2

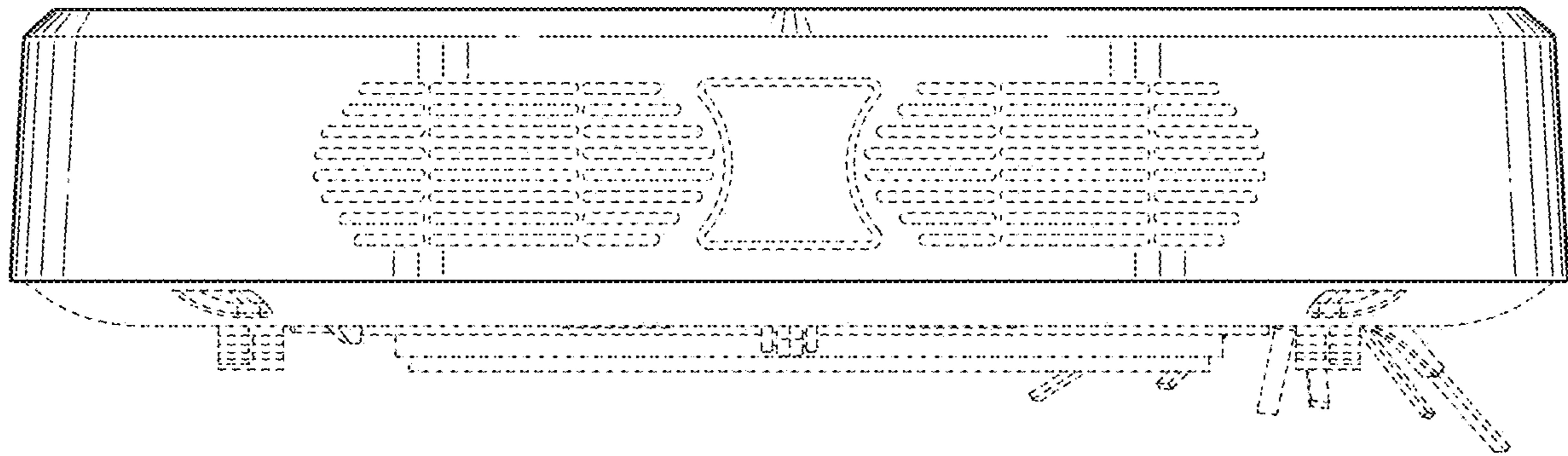


FIG. 3

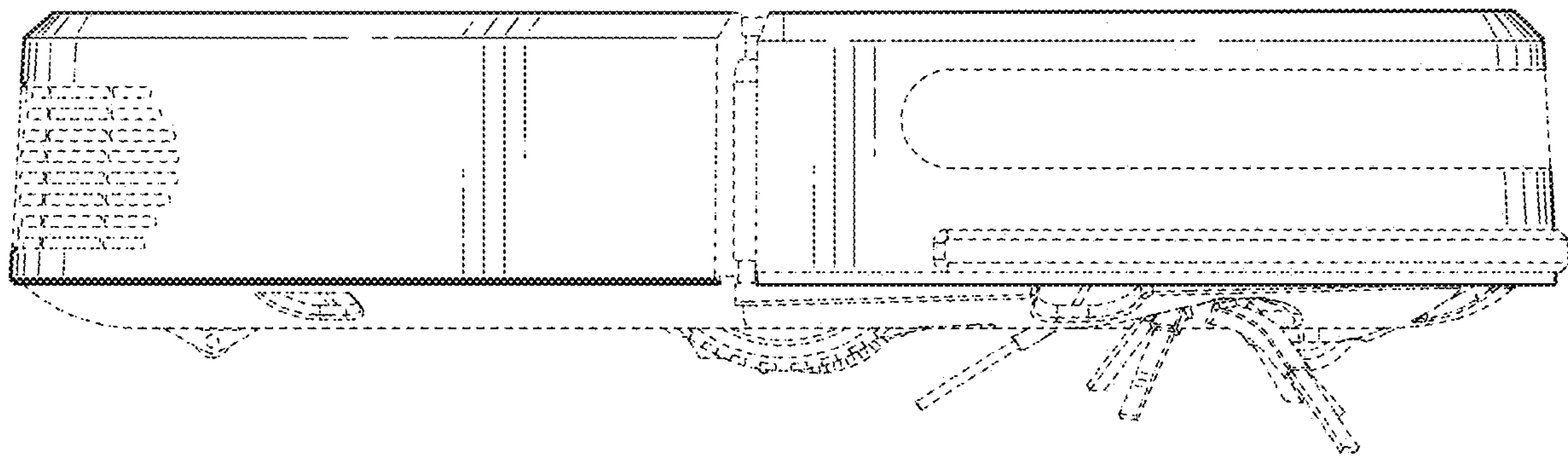


FIG. 4

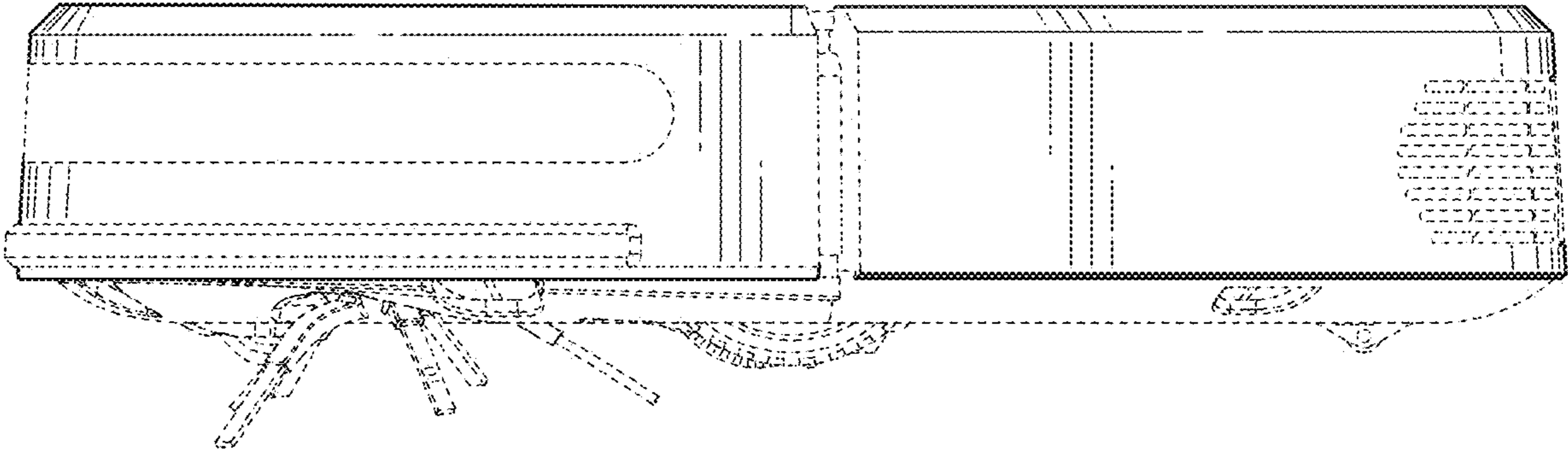


FIG. 5

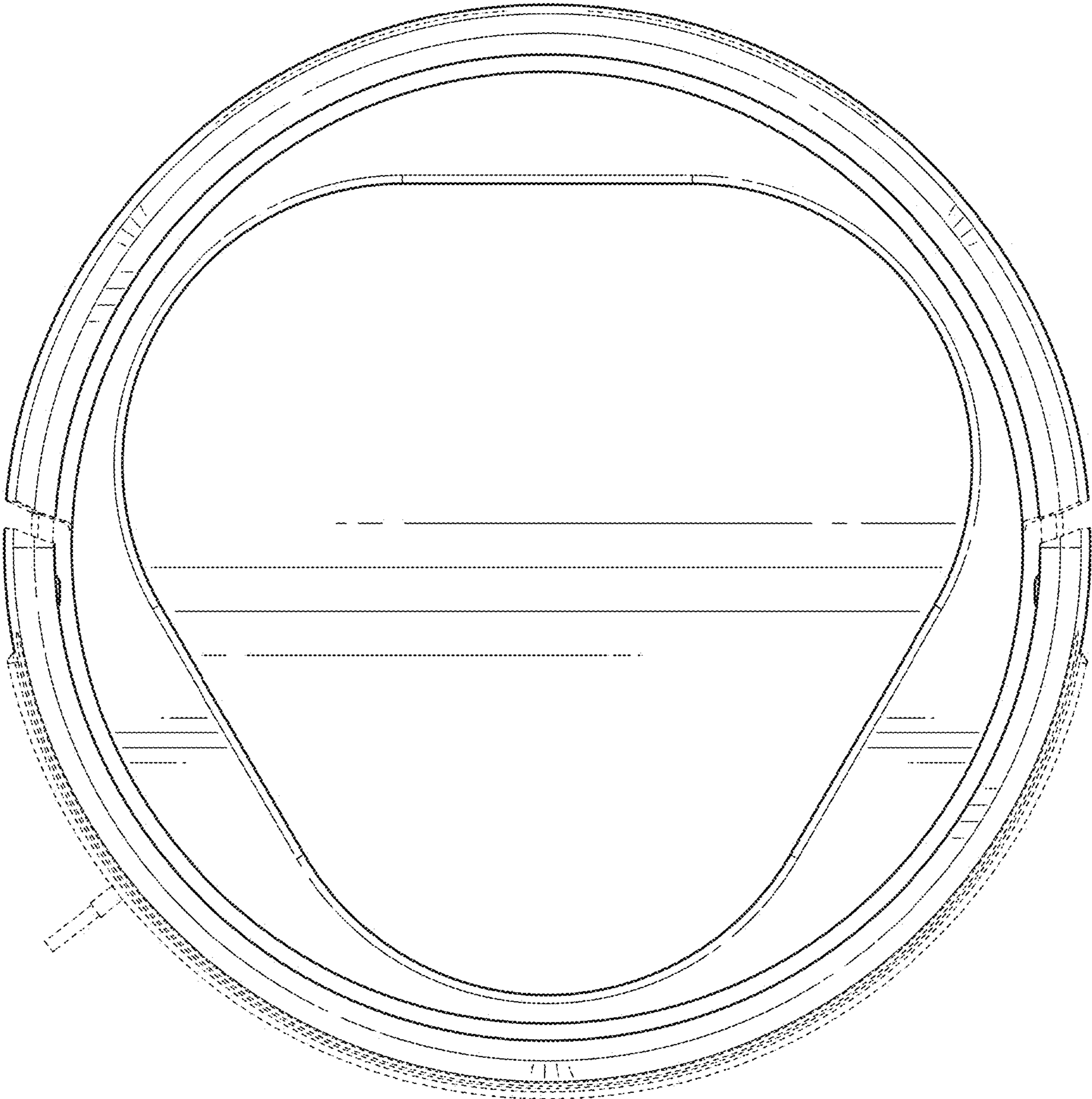


FIG. 6

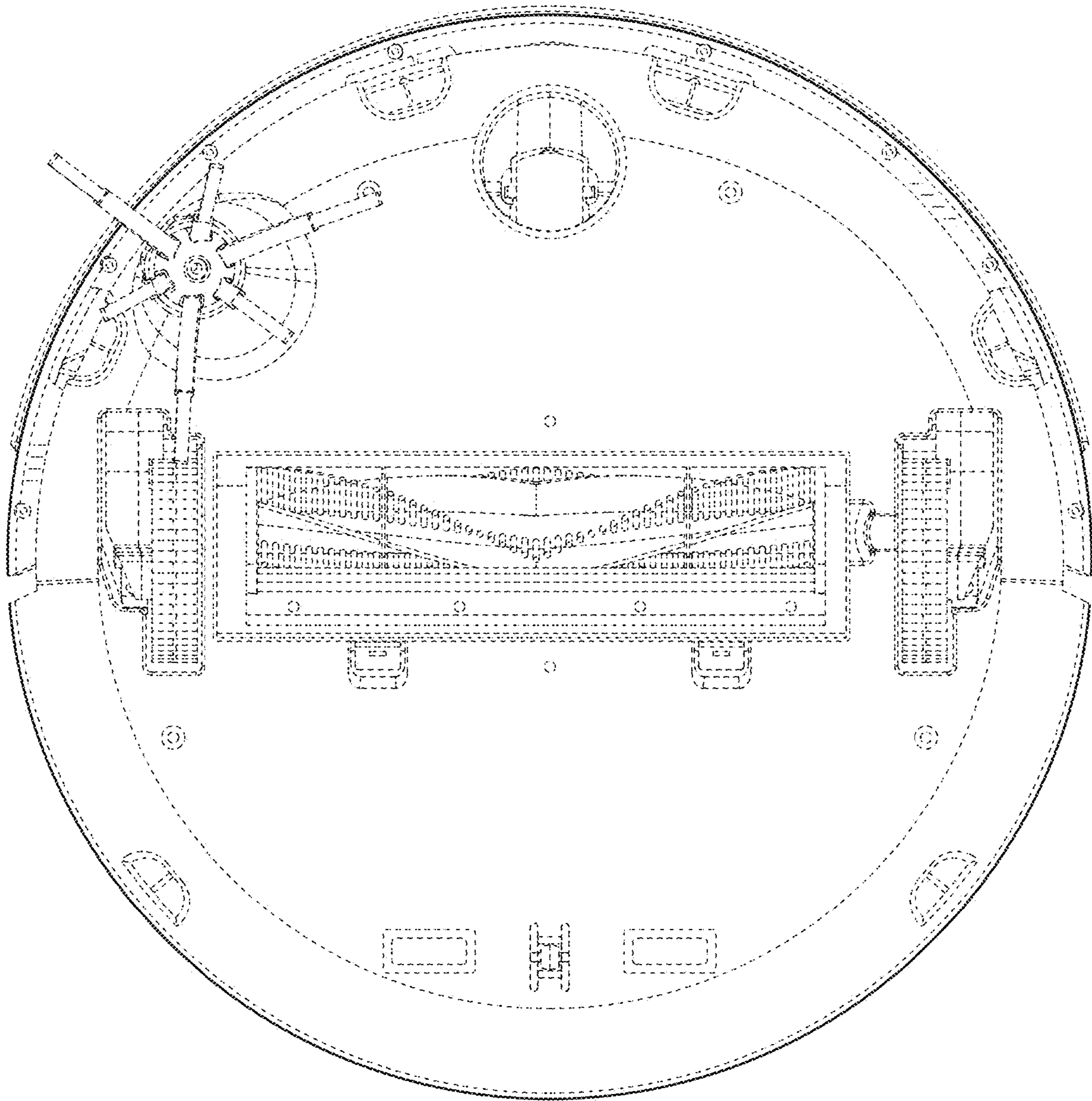


FIG. 7