



US00D924507S

(12) **United States Design Patent**
Zhang et al.

(10) **Patent No.:** **US D924,507 S**
(45) **Date of Patent:** **** Jul. 6, 2021**

(54) **HOUSEKEEPING ROBOT**

(71) Applicant: **Trifo, Inc.**, Santa Clara, CA (US)

(72) Inventors: **Zhe Zhang**, Sunnyvale, CA (US);
Zhongwei Li, Beijing (CN)

(73) Assignee: **Trifo, Inc.**, Santa Clara, CA (US)

(**) Term: **15 Years**

(21) Appl. No.: **29/693,091**

(22) Filed: **May 30, 2019**

(51) **LOC (13) Cl.** **15-05**

(52) **U.S. Cl.**
USPC **D32/21**

(58) **Field of Classification Search**
USPC D32/21, 31; D21/526, 578; D8/70, 310,
D8/330; D10/37, 38, 50, 106.2, 106.5;
D13/108, 209; D23/254
See application file for complete search history.

(56) **References Cited**

U.S. PATENT DOCUMENTS

- D368,373 S * 4/1996 Shimatsu D4/101
- D436,051 S * 1/2001 Ward D10/106.2
- D439,538 S * 3/2001 Lynch D10/106.2
- D512,437 S * 12/2005 Tierney D14/203.6
- D527,854 S * 9/2006 Marzynski D15/199
- D615,067 S * 5/2010 Wilson D14/215
- D620,889 S * 8/2010 Smith D13/138.2
- D628,218 S * 11/2010 Tommassini D15/138
- D693,887 S * 11/2013 Smith D21/443
- D729,771 S * 5/2015 Hoehn D14/215
- D741,635 S * 10/2015 Sneve D6/716
- D743,646 S * 11/2015 Fjellman D32/21
- D756,577 S * 5/2016 Fjellman D32/21
- D766,524 S * 9/2016 Ochi D32/21
- D800,720 S * 10/2017 Kim D14/344

- D806,707 S * 1/2018 Nalbandian D14/349
- D830,417 S * 10/2018 Sekula D15/7
- D866,979 S * 11/2019 Lee D3/318

(Continued)

FOREIGN PATENT DOCUMENTS

- CN 303330019 * 8/2015
- CN 303949725 * 11/2016

(Continued)

OTHER PUBLICATIONS

Trifo Ma Home Robot Vacuum Cleaner, available in Amazon.com, date first available Oct. 28, 2019 [online], [site visited Dec. 21, 2020], Available from the internet URL: https://www.amazon.com/dp/B07ZP31JWL/ref=cm_sw_r_em_apafabc_7-b3Fb8281HV5 (Year: 2019).*

(Continued)

Primary Examiner — Dana K Weiland
Assistant Examiner — Jennylou M Binas
(74) *Attorney, Agent, or Firm* — Haynes Beffel & Wolfeld LLP; Ernest J. Beffel, Jr.; Paul A. Durdik

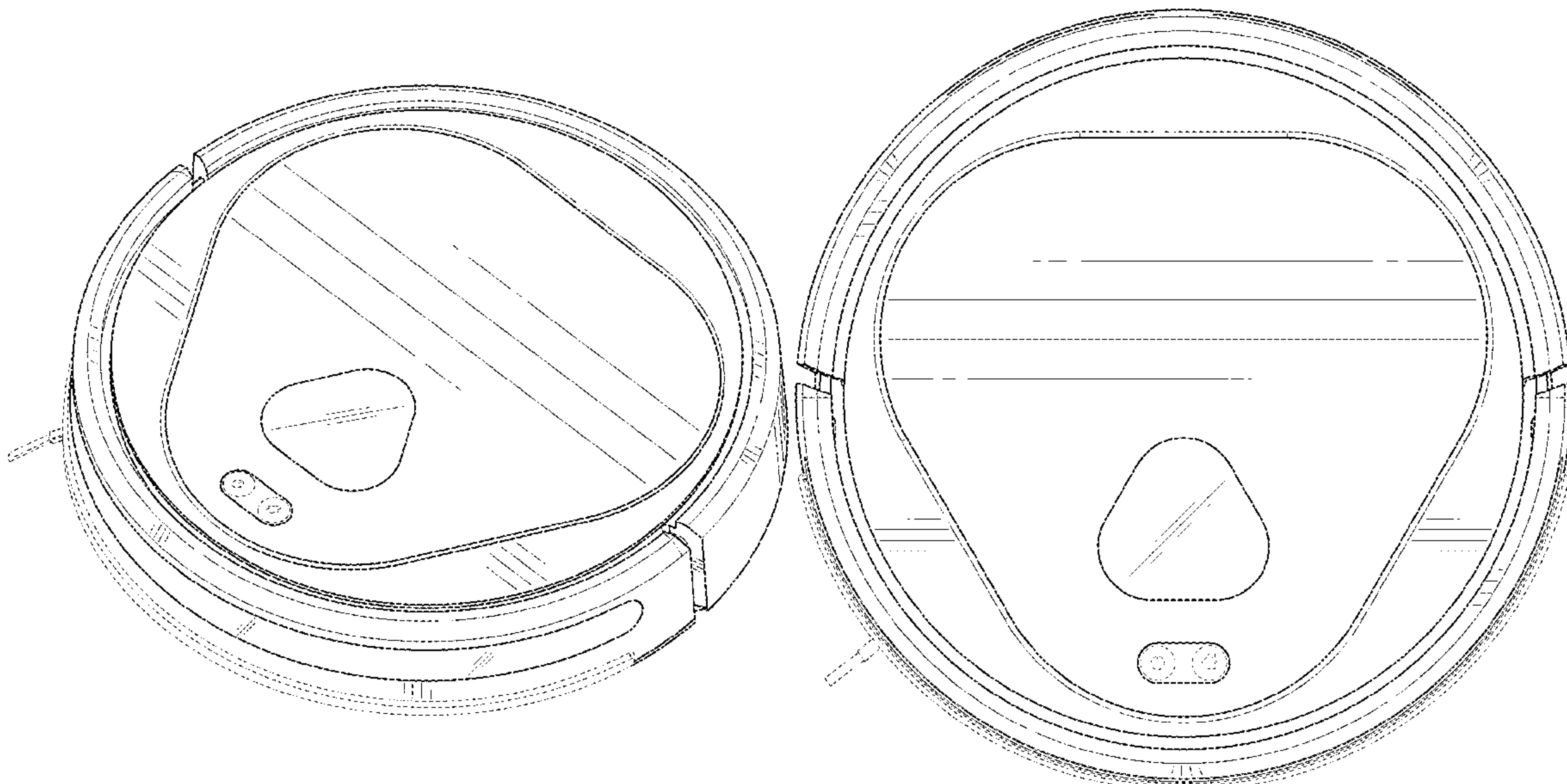
(57) **CLAIM**

The ornamental design for a housekeeping robot, as shown and described.

DESCRIPTION

FIG. 1 is a top, right perspective view of a housekeeping robot showing our new design;
FIG. 2 is a front elevation view thereof;
FIG. 3 is a rear elevation view thereof;
FIG. 4 is a left-side elevation view thereof;
FIG. 5 is a right-side elevation view thereof;
FIG. 6 is a top plan view thereof; and,
FIG. 7 is a bottom plan view thereof.
The broken lines show portions of the housekeeping robot that form no part of the claimed design.

1 Claim, 7 Drawing Sheets



(56)

References Cited

U.S. PATENT DOCUMENTS

D893,819 S * 8/2020 Li D32/21
D901,428 S * 11/2020 Zhang D14/149
2008/0190444 A1* 8/2008 Bennett A45D 33/16
132/306
2017/0273524 A1* 9/2017 Klintemyr A47L 9/0411
2019/0142234 A1* 5/2019 Yoon G05D 1/0238
701/23
2019/0290091 A1* 9/2019 Liang A47L 11/24
2020/0146523 A1* 5/2020 Fujieda A47L 9/0613

FOREIGN PATENT DOCUMENTS

JP D1531588 * 8/2018
WO D207962-001 * 10/2020

OTHER PUBLICATIONS

Trifo Emma Essential Robot Vacuum Cleaner ,available in Amazon.com, date first available Mar. 17, 2020 [online], [site visited Dec. 21, 2020], Available from the internet URL: https://www.amazon.com/dp/B08624B7VQ/ref=cm_sw_r_em_apaj_eGolFbNKC3V51 (Year: 2020).*

CoredyL900,Date 1st AvailableAmazon.com,Jun. 22, 2020[onlin],[SiteVisted Dec. 21, 2020],Available interntURL:Amazon.com—Coredy L900 Robot Vacuum Cleaner, Smart Laser Navigation, Precision AI Mapping Technology, Works with Alexa, 2-in-1 Vacuum & Mop Robotic Vacuum, 2700pa Power Suction, Ideal for Pet Hair—(Year: 2020).*

Trifo's Lucy robot vacuum, available in techhive.com, announced Jan. 8, 2020 [online], [site visited Dec. 21, 2020], Internet URL: <https://www.techhive.com/article/3512645/trifo-s-lucy-robot-vacuums-2020.html> (Year: 2020).*

* cited by examiner

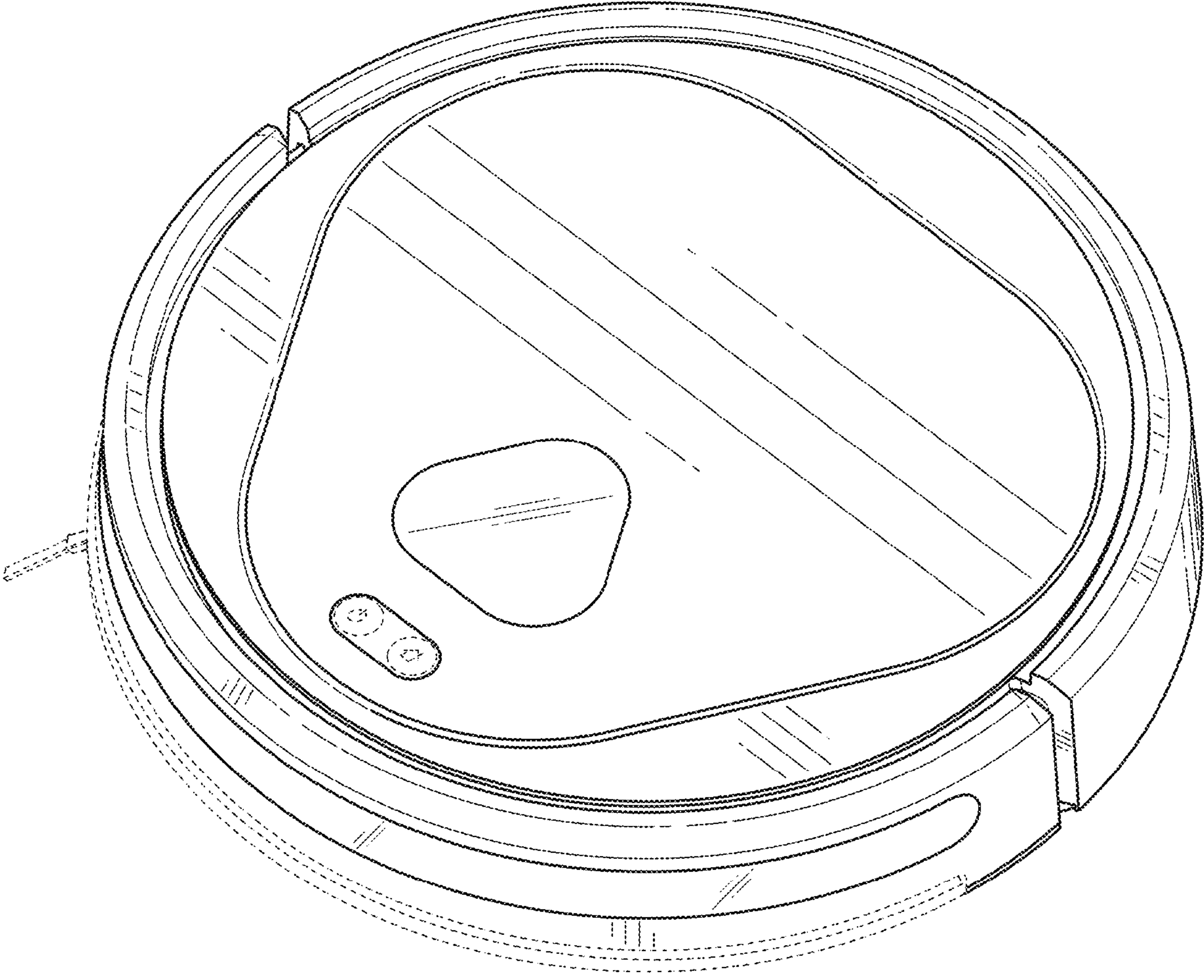


FIG. 1

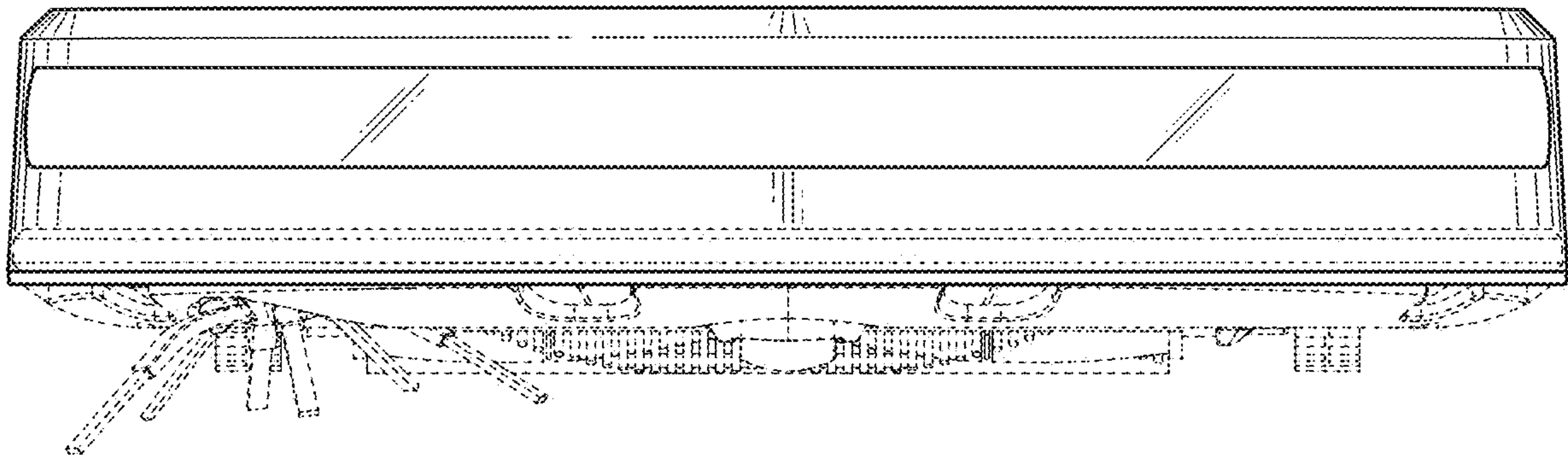


FIG. 2

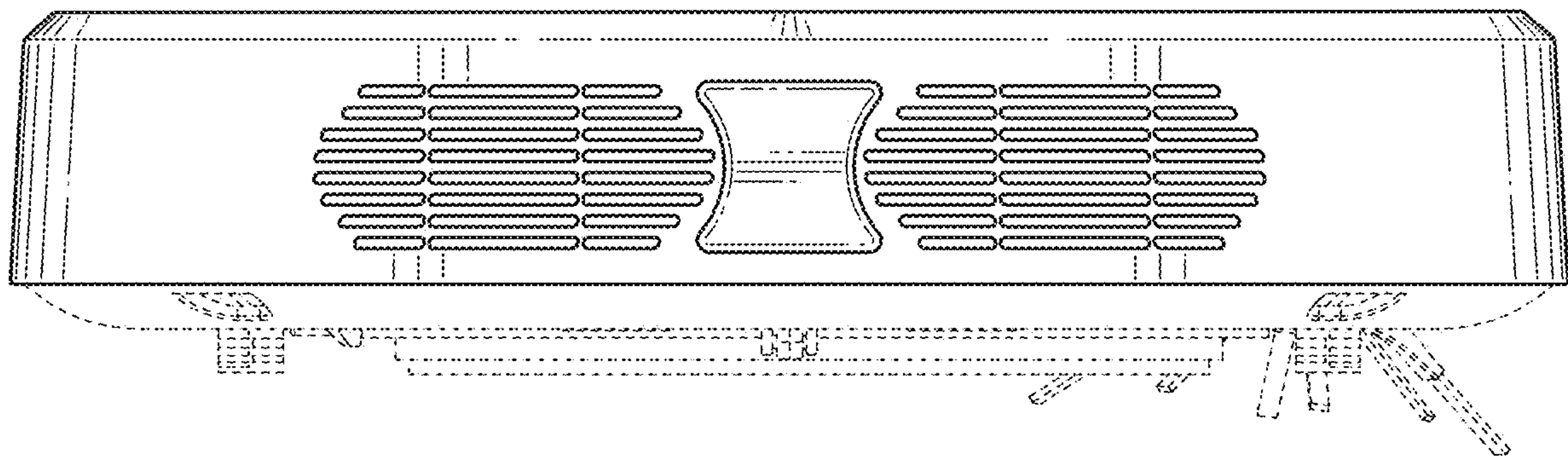


FIG. 3

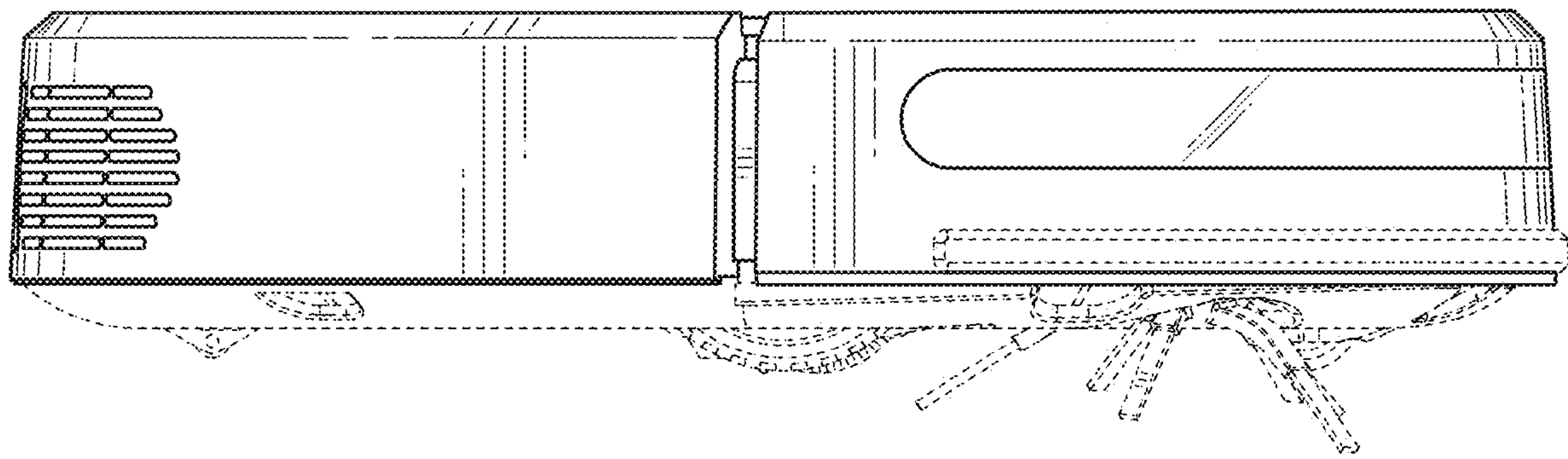


FIG. 4

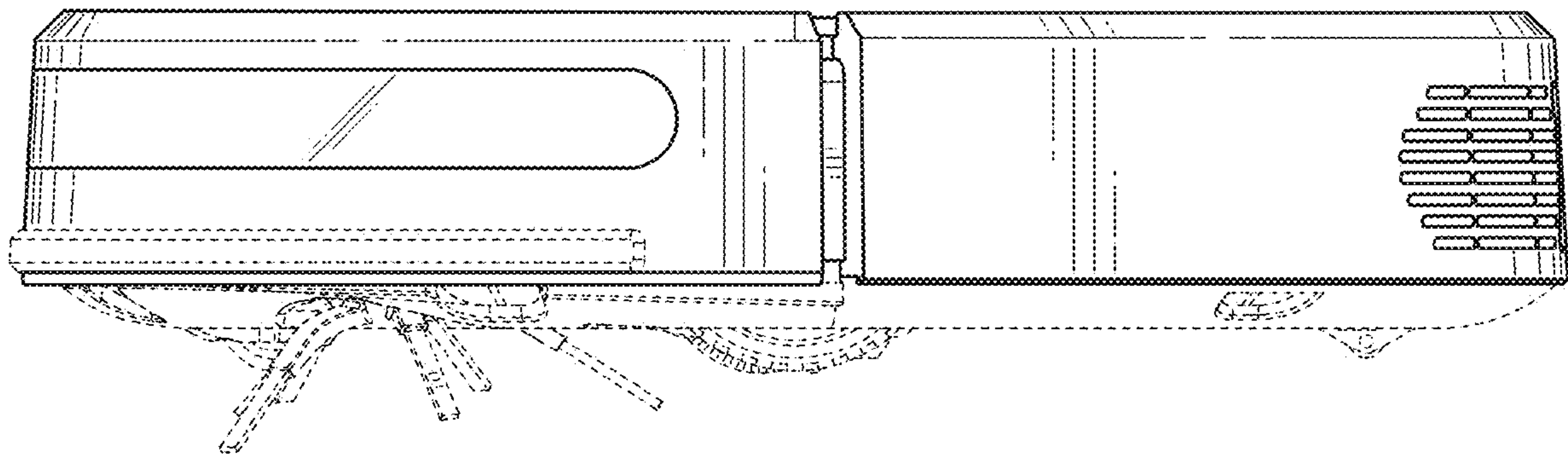


FIG. 5

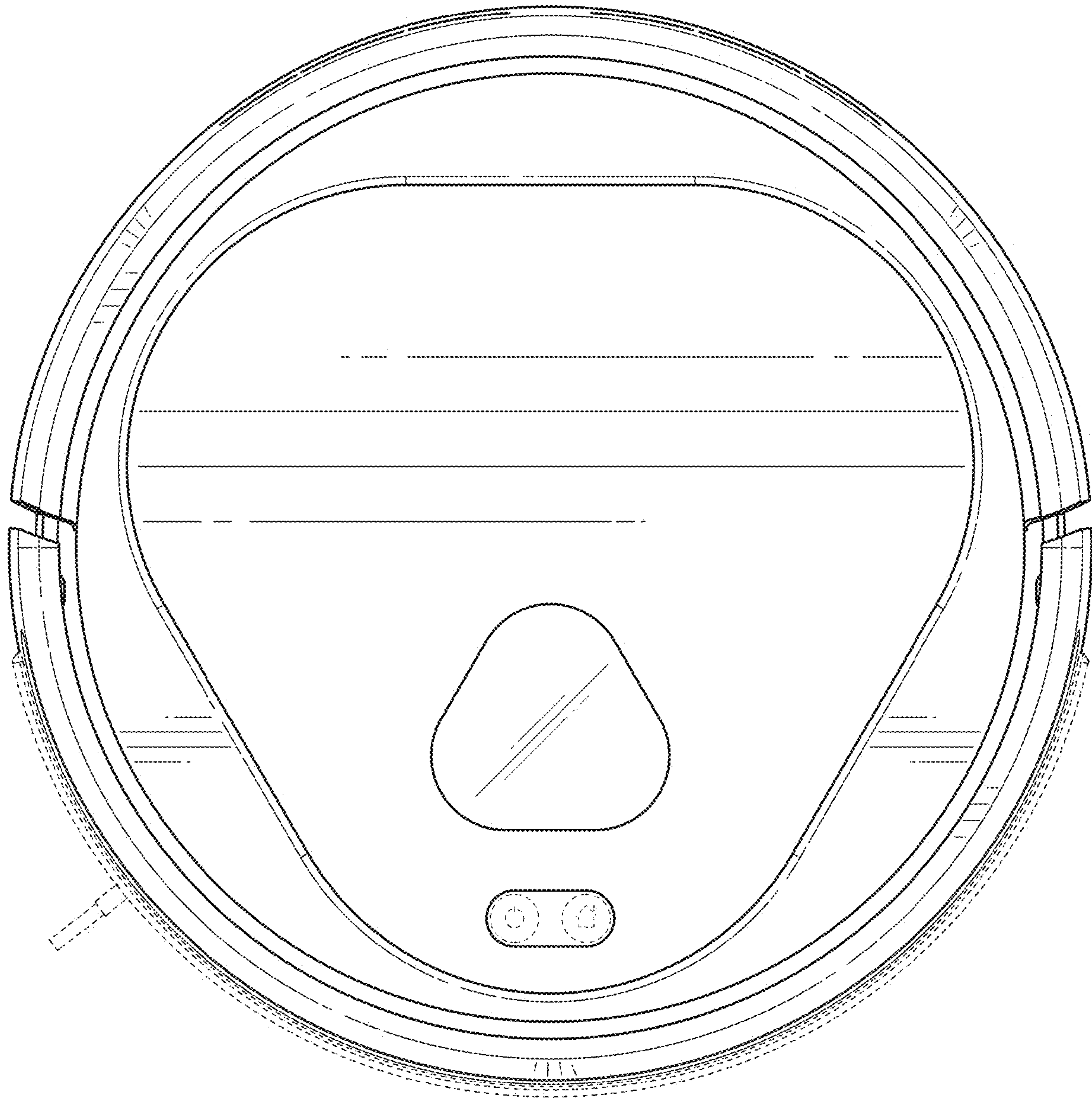


FIG. 6

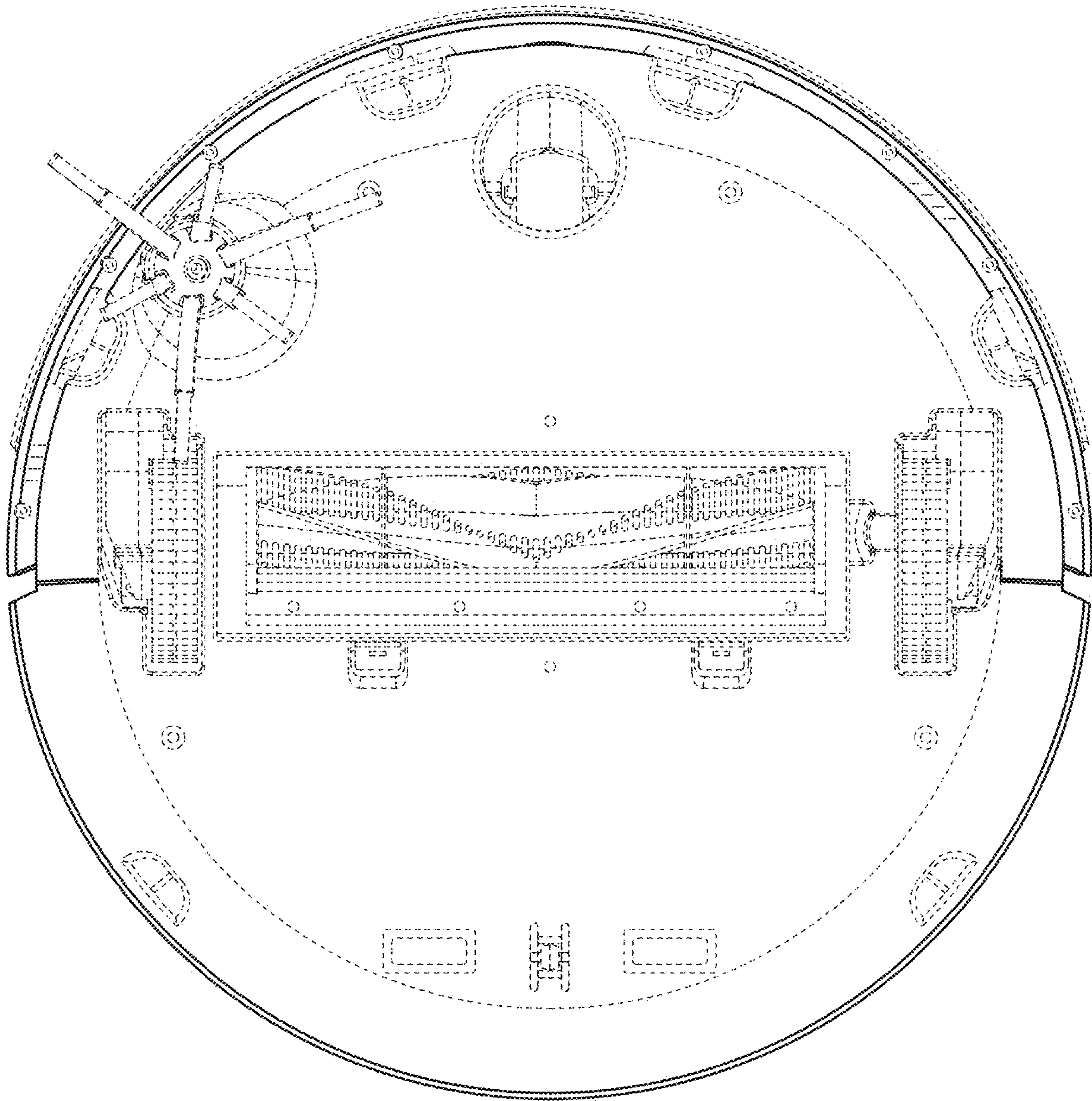


FIG. 7