



US00D924506S

(12) **United States Design Patent**  
**Zhang et al.**

(10) **Patent No.:** **US D924,506 S**

(45) **Date of Patent:** **\*\* Jul. 6, 2021**

(54) **HOME ROBOT**

(71) Applicant: **Trifo, Inc.**, Santa Clara, CA (US)

(72) Inventors: **Zhe Zhang**, Sunnyvale, CA (US);  
**Zhongwei Li**, Beijing (CN)

(73) Assignee: **TRIFO, INC.**, Santa Clara, CA (US)

(\*\*) Term: **15 Years**

(21) Appl. No.: **29/693,087**

(22) Filed: **May 30, 2019**

(51) **LOC (13) Cl.** ..... **15-05**

(52) **U.S. Cl.**  
USPC ..... **D32/21**

(58) **Field of Classification Search**  
USPC ..... D32/21, 31; D21/526, 578; D8/70, 310,  
D8/330; D10/37, 38, 50, 106.2, 106.5;  
D13/108, 209; D23/254  
See application file for complete search history.

(56) **References Cited**

**U.S. PATENT DOCUMENTS**

D368,373 S *	4/1996	Shimatsu	.....	D4/101
D436,051 S *	1/2001	Ward	.....	D10/106.2
D439,538 S *	3/2001	Lynch	.....	D10/106.2
D512,437 S *	12/2005	Tierney	.....	D14/203.6
D527,854 S *	9/2006	Marzynski	.....	D15/199
D615,067 S *	5/2010	Wilson	.....	D14/215
D620,889 S *	8/2010	Smith	.....	D13/138.2
D628,218 S *	11/2010	Tomassini	.....	D15/138
D693,887 S *	11/2013	Smith	.....	D21/443
D729,771 S *	5/2015	Hoehn	.....	D14/215
D741,635 S *	10/2015	Sneve	.....	D6/716
D743,646 S *	11/2015	Fjellman	.....	D32/21
D756,577 S *	5/2016	Fjellman	.....	D32/21
D766,524 S *	9/2016	Ochi	.....	D32/21
D800,720 S *	10/2017	Kim	.....	D14/344
D806,707 S *	1/2018	Nalbandian	.....	D14/349

D830,417 S *	10/2018	Sekula	.....	D15/7
D866,979 S *	11/2019	Lee	.....	D3/318
D893,819 S *	8/2020	Li	.....	D32/21

(Continued)

**FOREIGN PATENT DOCUMENTS**

CN	303949725	*	11/2016
JP	D1531588	*	8/2018
WO	D207962-001	*	10/2020

**OTHER PUBLICATIONS**

Trifo Max Home Robot Vacuum Cleaner, available in Amazon.com, date first available Oct. 28, 2019 [online], [site visited Dec. 21, 2020], Available from the internet URL: [https://www.amazon.com/dp/B07ZP31JWL/ref=cm\\_sw\\_r\\_em\\_apa\\_fabc\\_7-b3Fb8281HV5](https://www.amazon.com/dp/B07ZP31JWL/ref=cm_sw_r_em_apa_fabc_7-b3Fb8281HV5) (Year: 2019).\*

(Continued)

*Primary Examiner* — Dana K Weiland  
*Assistant Examiner* — Jennylou M Binas  
(74) *Attorney, Agent, or Firm* — Haynes Beffel & Wolfeld LLP; Ernest J. Beffel, Jr.; Paul A. Durdik

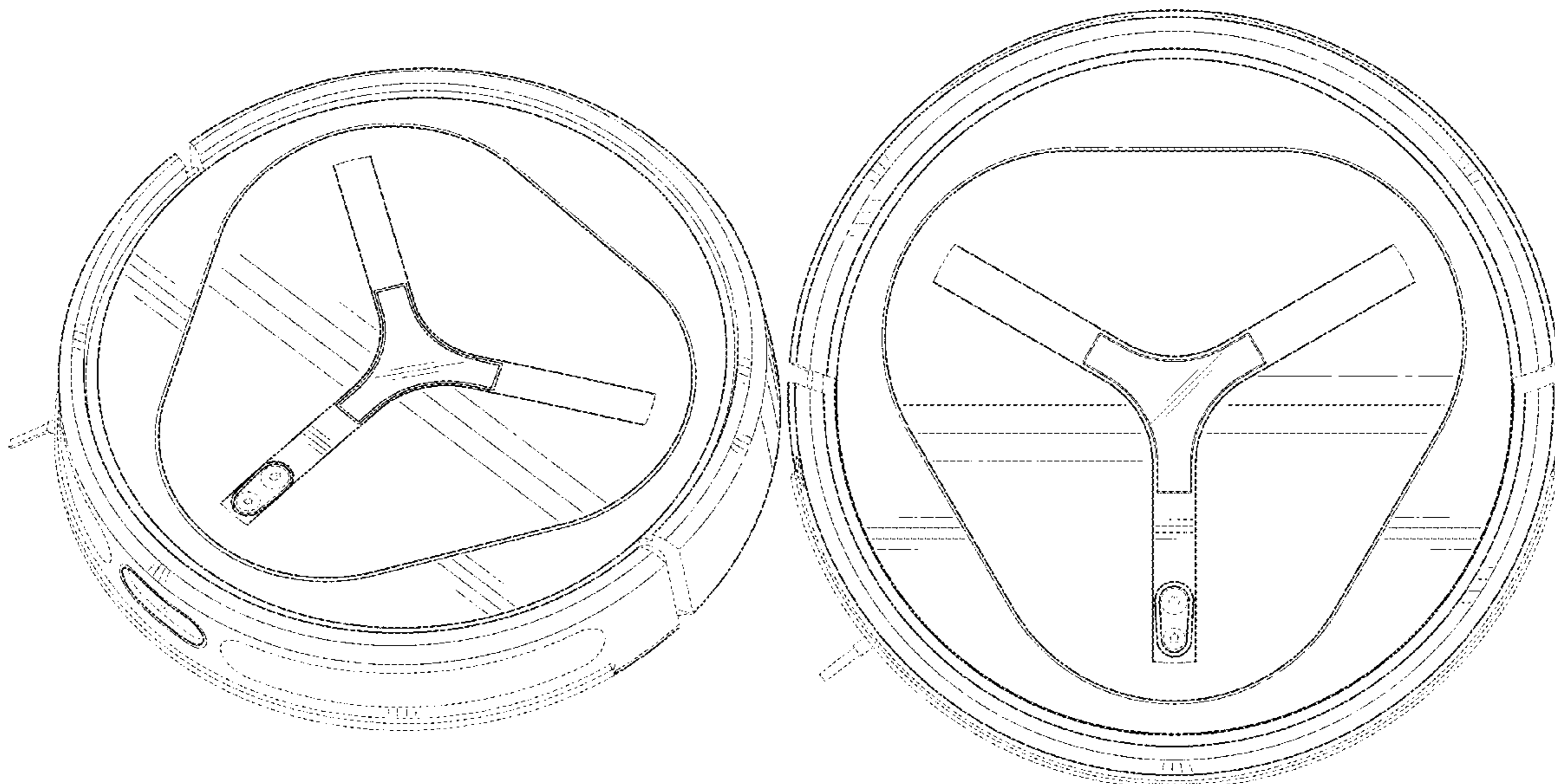
(57) **CLAIM**

The ornamental design for a home robot, as shown and described.

**DESCRIPTION**

FIG. 1 is a top, right perspective view of a home robot showing our new design;  
FIG. 2 is a front elevation view thereof;  
FIG. 3 is a rear elevation view thereof;  
FIG. 4 is a left-side elevation view thereof;  
FIG. 5 is a right-side elevation view thereof;  
FIG. 6 is a top plan view thereof; and,  
FIG. 7 is a bottom plan view thereof.  
The broken lines show portions of the home robot that form no part of the claimed design.

**1 Claim, 7 Drawing Sheets**



(56)

**References Cited**

## U.S. PATENT DOCUMENTS

D901,428 S \* 11/2020 Zhang ..... D14/149  
2008/0190444 A1 \* 8/2008 Bennett ..... A45D 33/16  
132/306  
2017/0273524 A1 \* 9/2017 Klintemyr ..... A47L 9/0411  
2019/0142234 A1 \* 5/2019 Yoon ..... G05D 1/0238  
701/23  
2019/0290091 A1 \* 9/2019 Liang ..... A47L 11/24  
2020/0146523 A1 \* 5/2020 Fujieda ..... A47L 9/0613

## OTHER PUBLICATIONS

Trifo Emma Essential Robot Vacuum Cleaner, available in Amazon.com, date first available Mar. 17, 2020 [online], [site visited Dec. 21, 2020]. Available from the internet URL: [https://www.amazon.com/dp/B08624B7VQ/ref=cm\\_sw\\_r\\_em\\_apai\\_eGolFbNKC3V51](https://www.amazon.com/dp/B08624B7VQ/ref=cm_sw_r_em_apai_eGolFbNKC3V51) (Year: 2020).\*

CoredyL900, Date 1st Available Amazon.com, Jun. 22, 2020 [online], [Site Visted Dec. 21, 2020], Available internet URL: Amazon.com—Coredy L900 Robot Vacuum Cleaner, Smart Laser Navigation, Precision AI Mapping Technology, Works with Alexa, 2-in-1 Vacuum & Mop Robotic Vacuum, 2700pa Power Suction, Ideal for Pet Hair—(Year: 2020).\*

Trifo's Lucy robot vacuum, available in techhive.com, announced Jan. 8, 2020 [online], [site visited Dec. 21, 2020], Internet URL: <https://www.techhive.com/article/3512645/trifo-s-lucy-robot-vacuums-2020.html> (Year: 2020).\*

\* cited by examiner

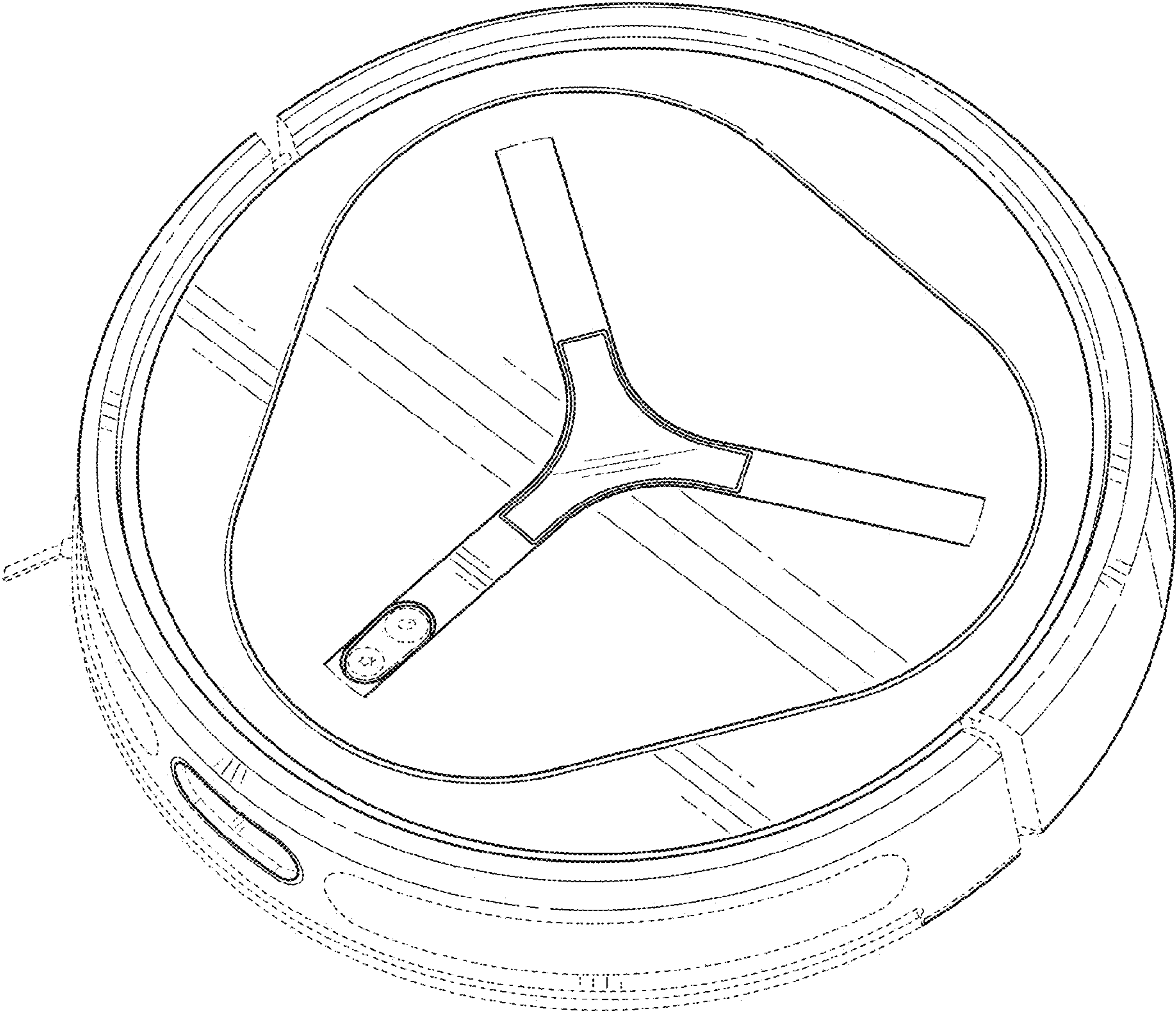


FIG. 1



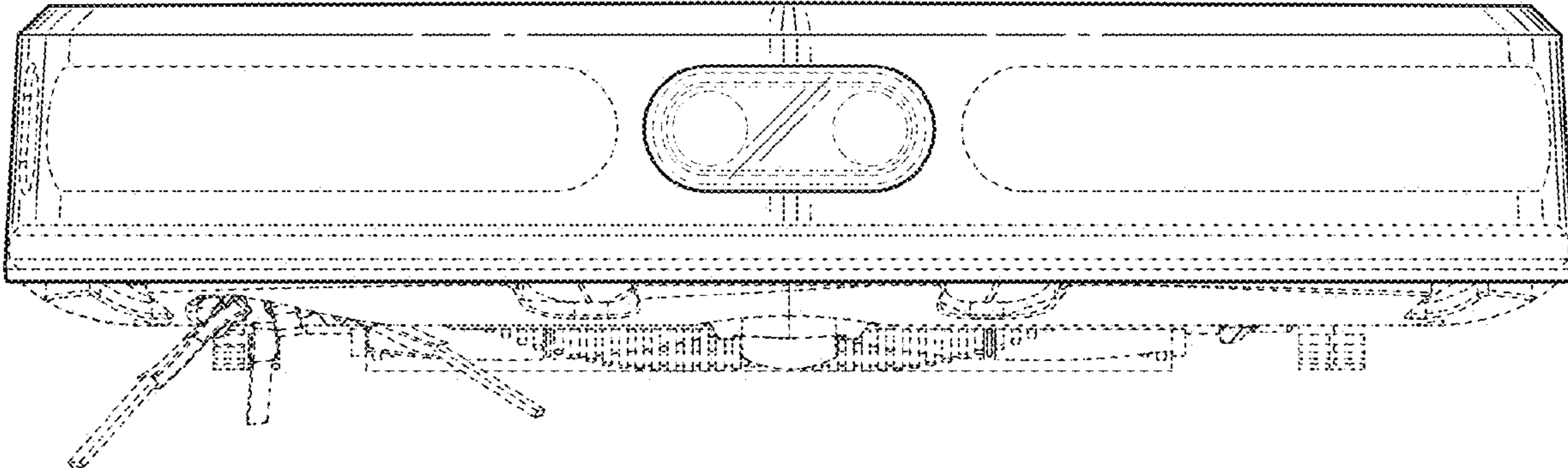


FIG. 2

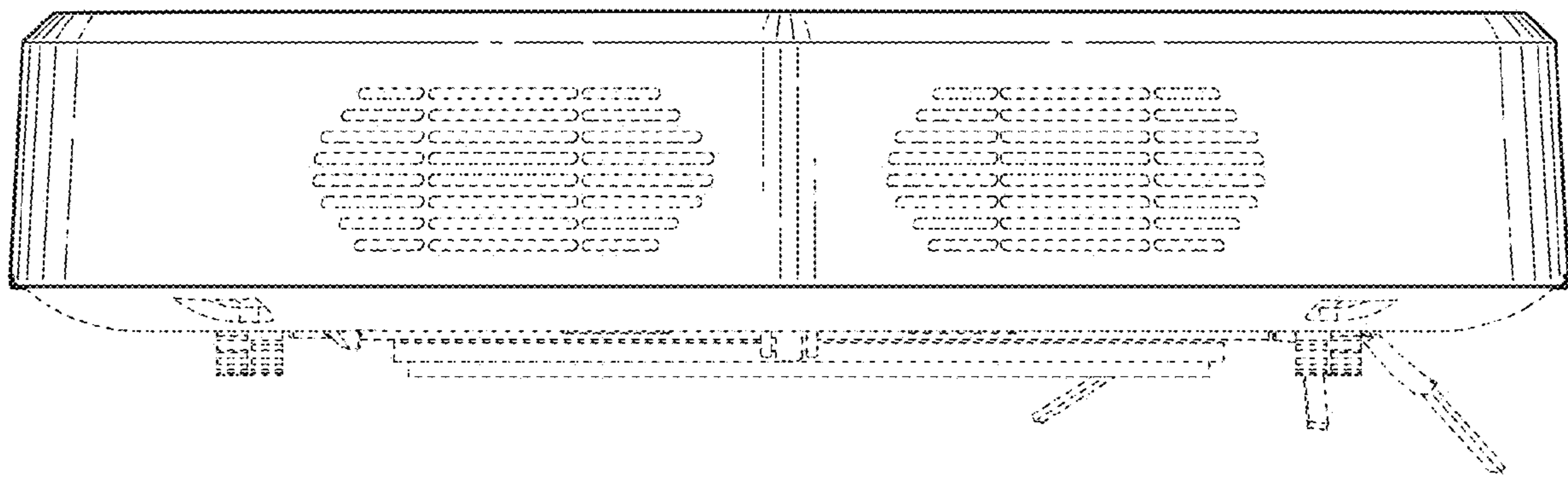


FIG. 3

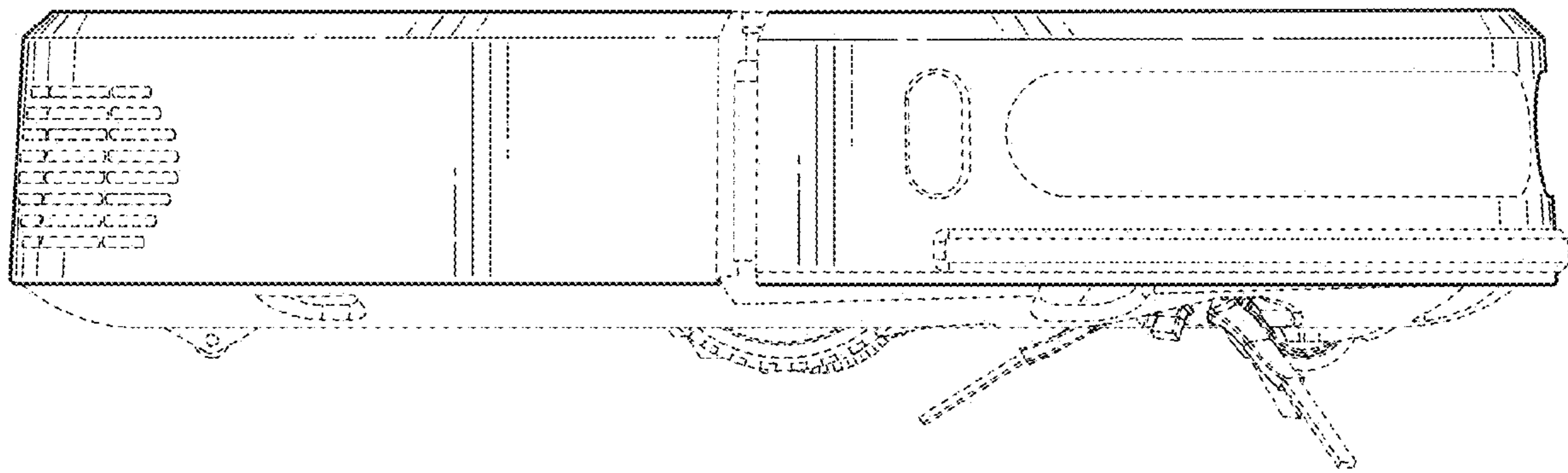


FIG. 4

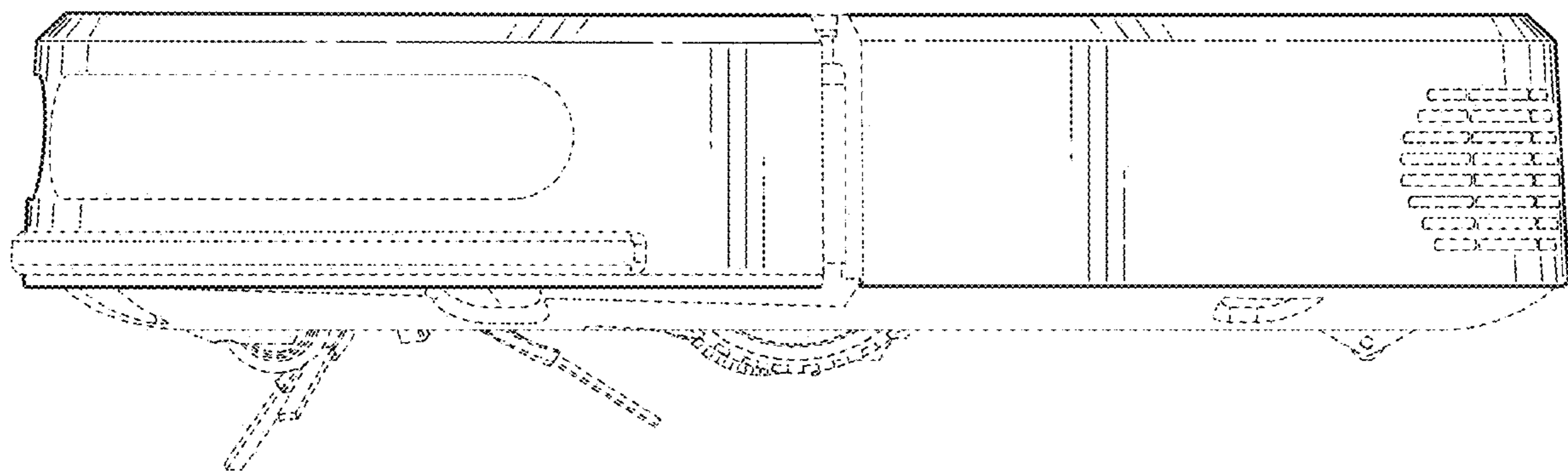


FIG. 5

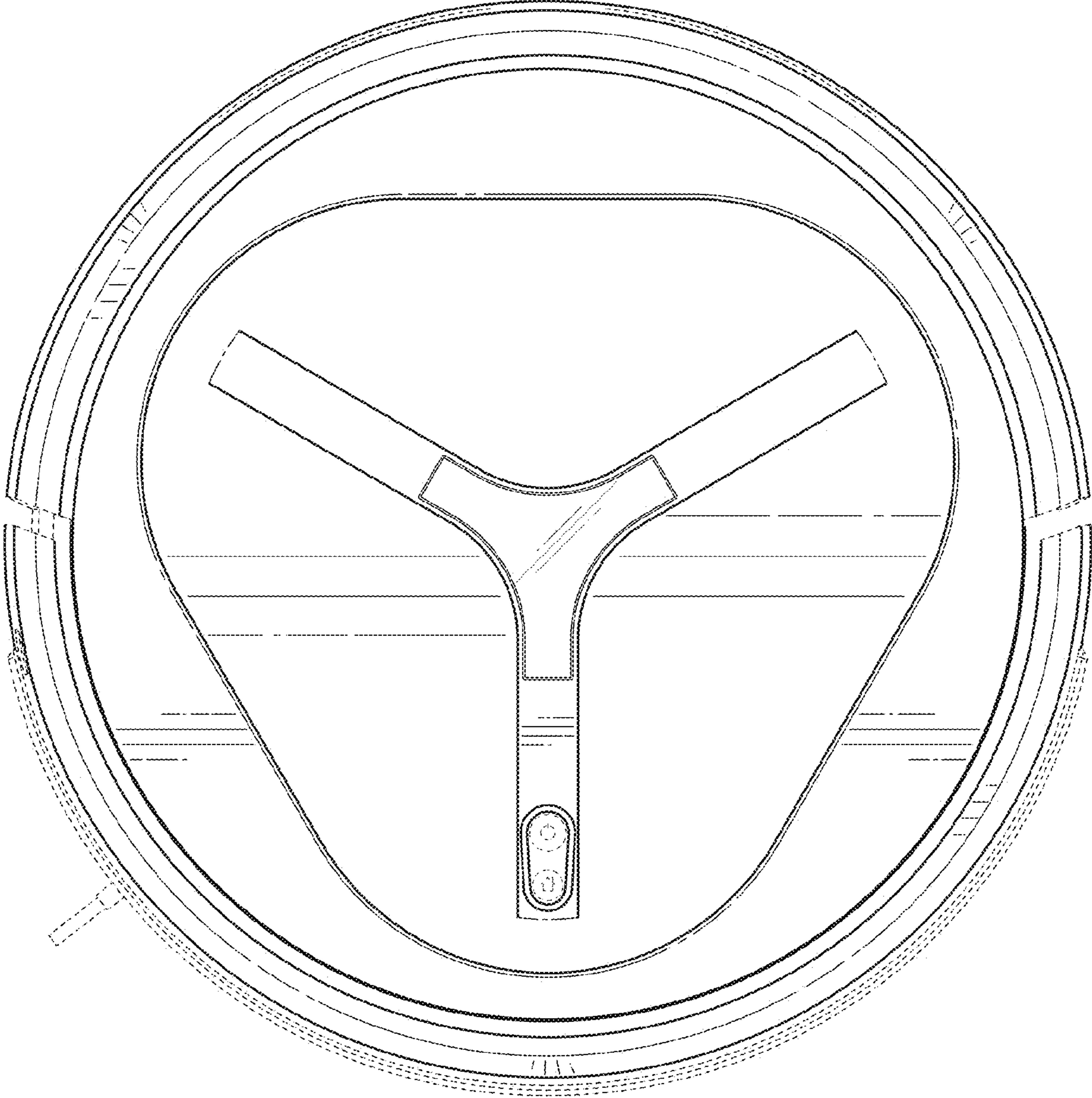


FIG. 6



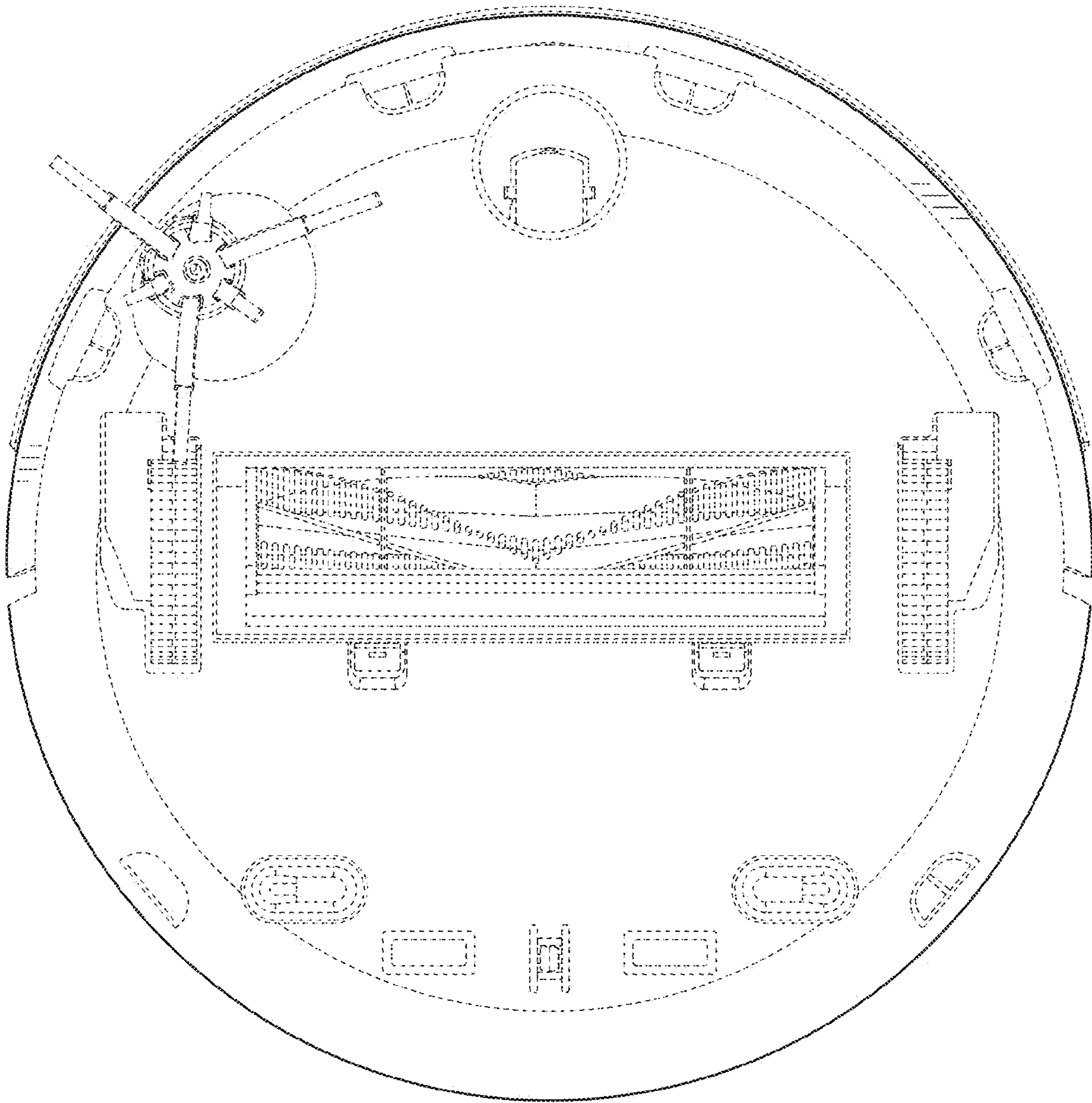


FIG. 7