



US00D924503S

(12) **United States Design Patent** (10) **Patent No.:** **US D924,503 S**
Xu (45) **Date of Patent:** **** Jul. 6, 2021**

(54) **CYCLONIC VACUUM CLEANER**
(71) Applicant: **Fuzhou Huodan Electronic Technology Co., Ltd., Fuzhou (CN)**
(72) Inventor: **Yixuan Xu, Shenzhen (CN)**
(**) Term: **15 Years**
(21) Appl. No.: **29/764,403**

2020/0221913 A1* 7/2020 Shin A47L 9/22
2020/0315416 A1* 10/2020 Hong A47L 9/0477
2021/0045605 A1* 2/2021 Conrad A47L 9/1608

FOREIGN PATENT DOCUMENTS

CN 304651523 * 5/2018
CN 305928716 * 7/2020
GB 6103959 * 10/2020

OTHER PUBLICATIONS

Portable Handheld Vacuum Cleaner, available in Amazon.ca, date first available Aug. 20, 2020 [online], [site visited Feb. 19, 2021], Available from the internet URL: https://www.amazon.ca/dp/B08CV9N9TF/ref=cm_sw_em_r_mt_imm_awdb_XR2NNRMKCW06PD75E91J (Year: 2020).*

(Continued)

Primary Examiner — Dana K Weiland
Assistant Examiner — Jennylou M Binas
(74) *Attorney, Agent, or Firm* — Rumit Ranjit Kanakia

(57) **CLAIM**

I claim the ornamental design for a cyclonic vacuum cleaner, as shown and described.

DESCRIPTION

FIG. 1 is a Perspective view of a cyclonic vacuum cleaner showing my new design;
FIG. 2 is a Front view thereof;
FIG. 3 is a Back view thereof;
FIG. 4 is a Right-side view thereof;
FIG. 5 is a Left-side view thereof;
FIG. 6 is a Top view thereof; and,
FIG. 7 is a Bottom view thereof.
The broken lines in the drawings depict portions of the cyclonic vacuum cleaner that form no part of the claimed design.

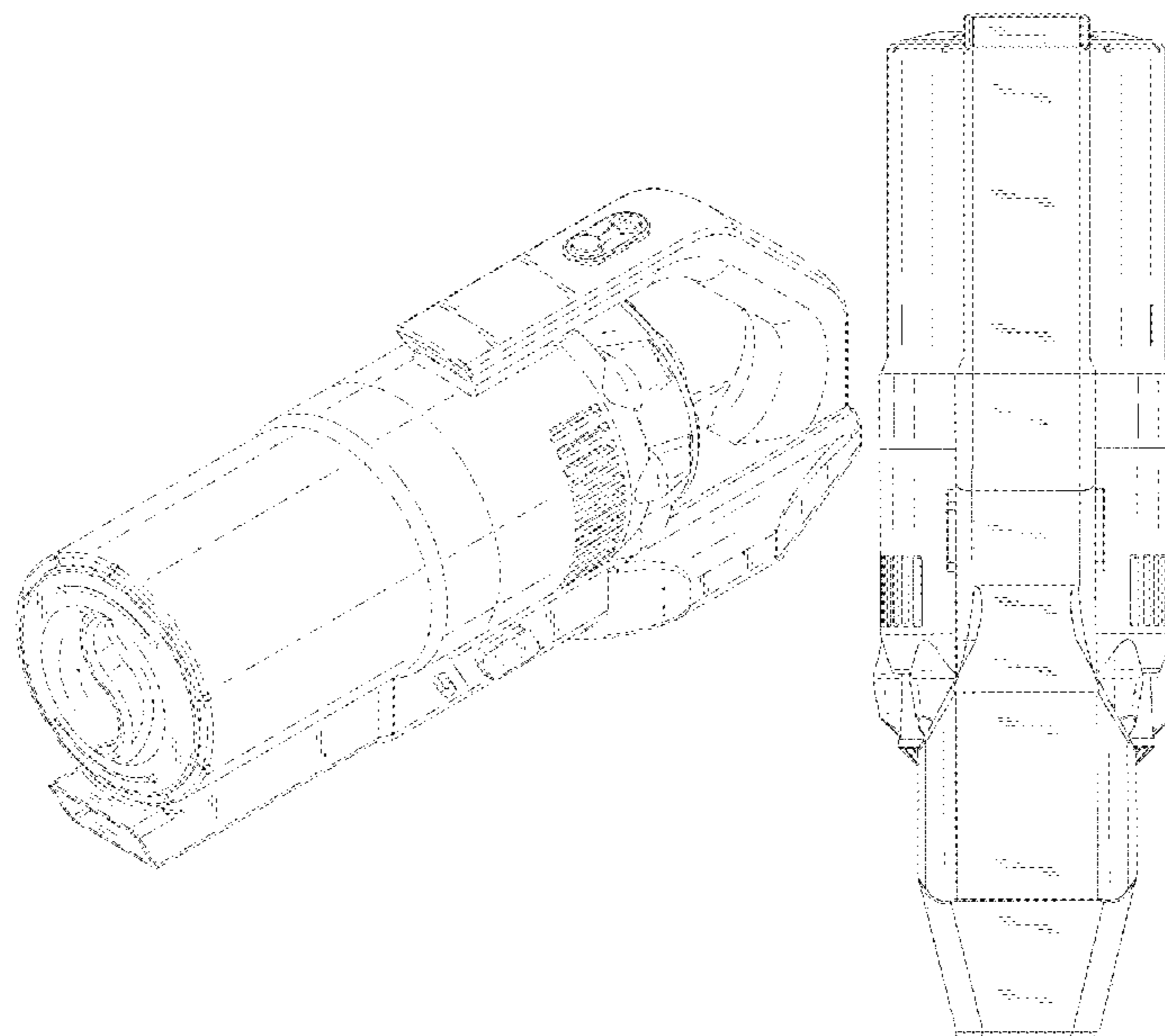
1 Claim, 7 Drawing Sheets

(22) Filed: **Dec. 30, 2020**
(51) **LOC (13) Cl.** **15-05**
(52) **U.S. Cl.**
USPC **D32/18**
(58) **Field of Classification Search**
USPC D32/17, 18, 22, 31, 21; D21/526
CPC A47L 5/24; A47L 5/28; A47L 5/30; A47L 5/34; A47L 5/36; A47L 9/04; A47L 9/102; A47L 9/106; A47L 11/30; A47L 11/302; A47L 11/4005; A47L 11/4008; A47L 11/4044; B04C 5/185; B23Q 11/0046; B23Q 11/0071; E04H 4/1636
See application file for complete search history.

(56) **References Cited**

U.S. PATENT DOCUMENTS

D547,505 S * 7/2007 Carr D32/31
D596,358 S 7/2009 Witter et al.
D690,064 S 9/2013 Witter et al.
D723,228 S 2/2015 Luglan
D731,130 S * 6/2015 Dyson D32/18
D798,911 S 10/2017 Chao
D897,616 S * 9/2020 Chen D32/22
D901,109 S * 11/2020 Chen D32/18
2017/0209014 A1* 7/2017 Stickney A47L 9/242
2018/0055313 A1* 3/2018 Yang A47L 9/02
2019/0029487 A1* 1/2019 Zhou A47L 5/26
2019/0387943 A1* 12/2019 Kim A47L 5/24
2020/0029760 A1* 1/2020 Seo A47L 11/2025
2020/0060493 A1* 2/2020 Yajima A47L 9/2873



(56)

References Cited

OTHER PUBLICATIONS

Hoover H-FREE 500 Pets 3in1 Cordless Stick Vacuum Cleaner, available in Amazon.co.uk, date first available Jun. 12, 2019 [online], [site visited Feb. 19, 2021], Available from the internet URL: https://www.amazon.co.uk/dp/B07T375BZQ/ref=cm_sw_em_r_mt_imm_awdb_MXQJEYC31250824B3R4F (Year: 2019).*

* cited by examiner

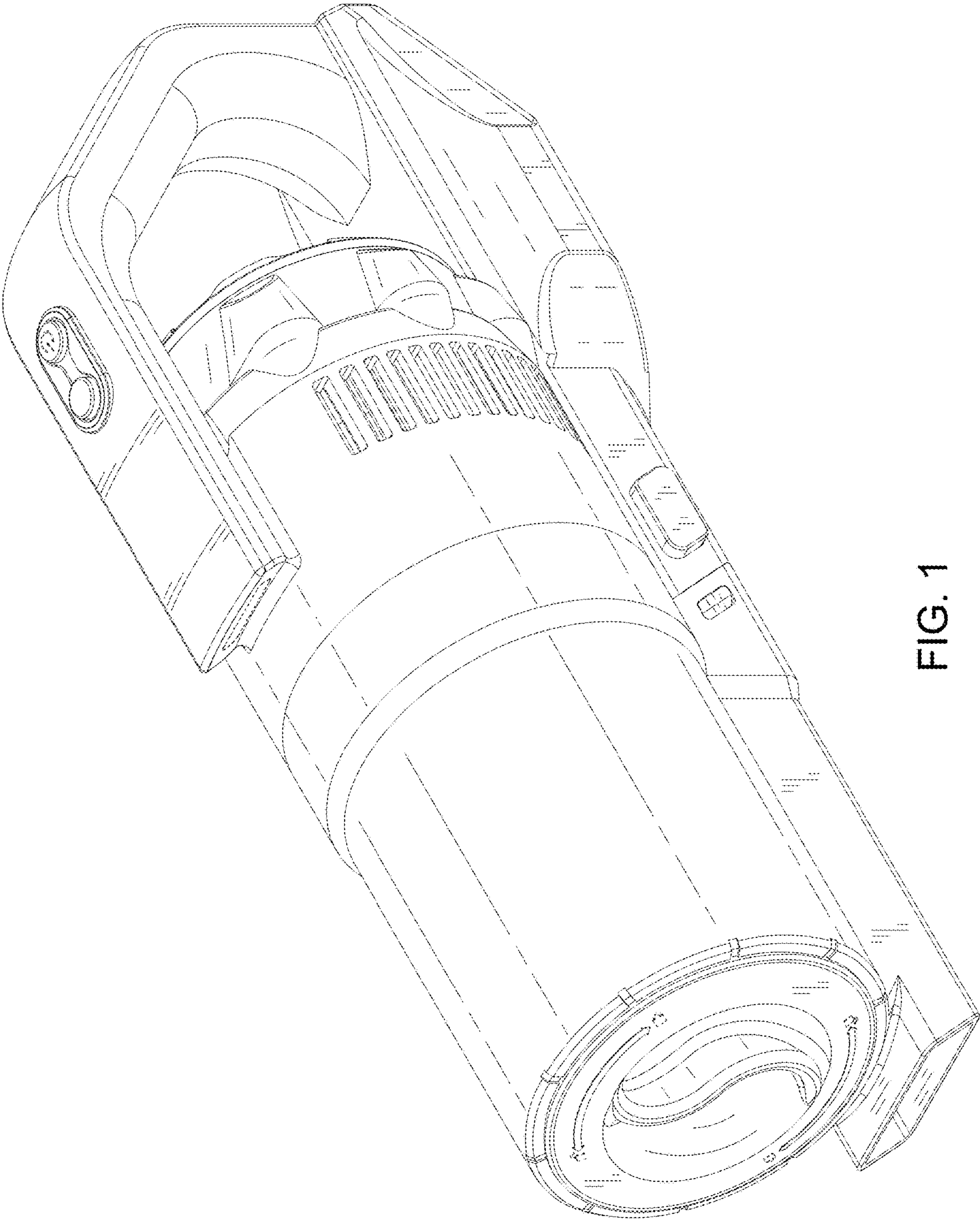


FIG. 1

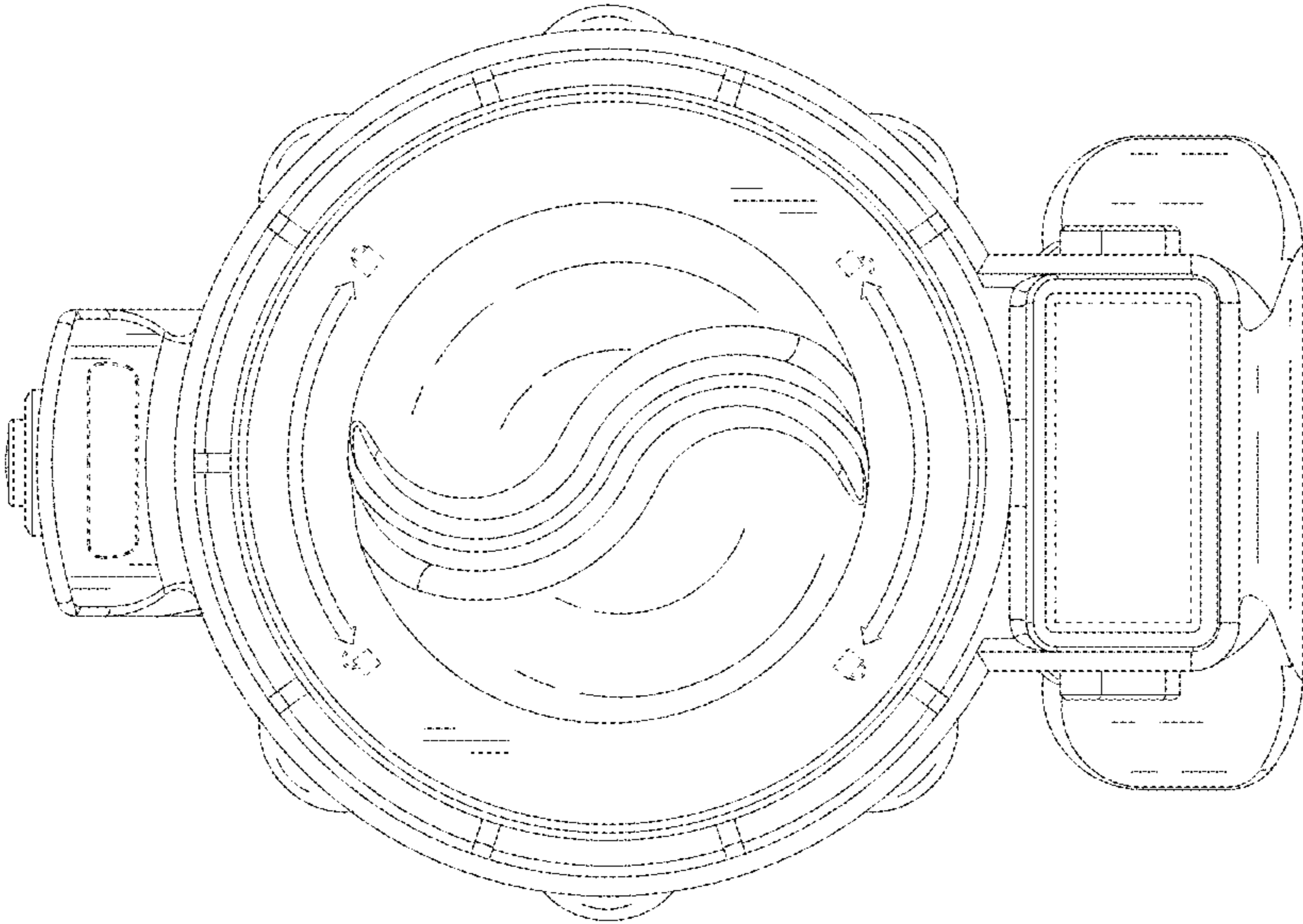


FIG. 2

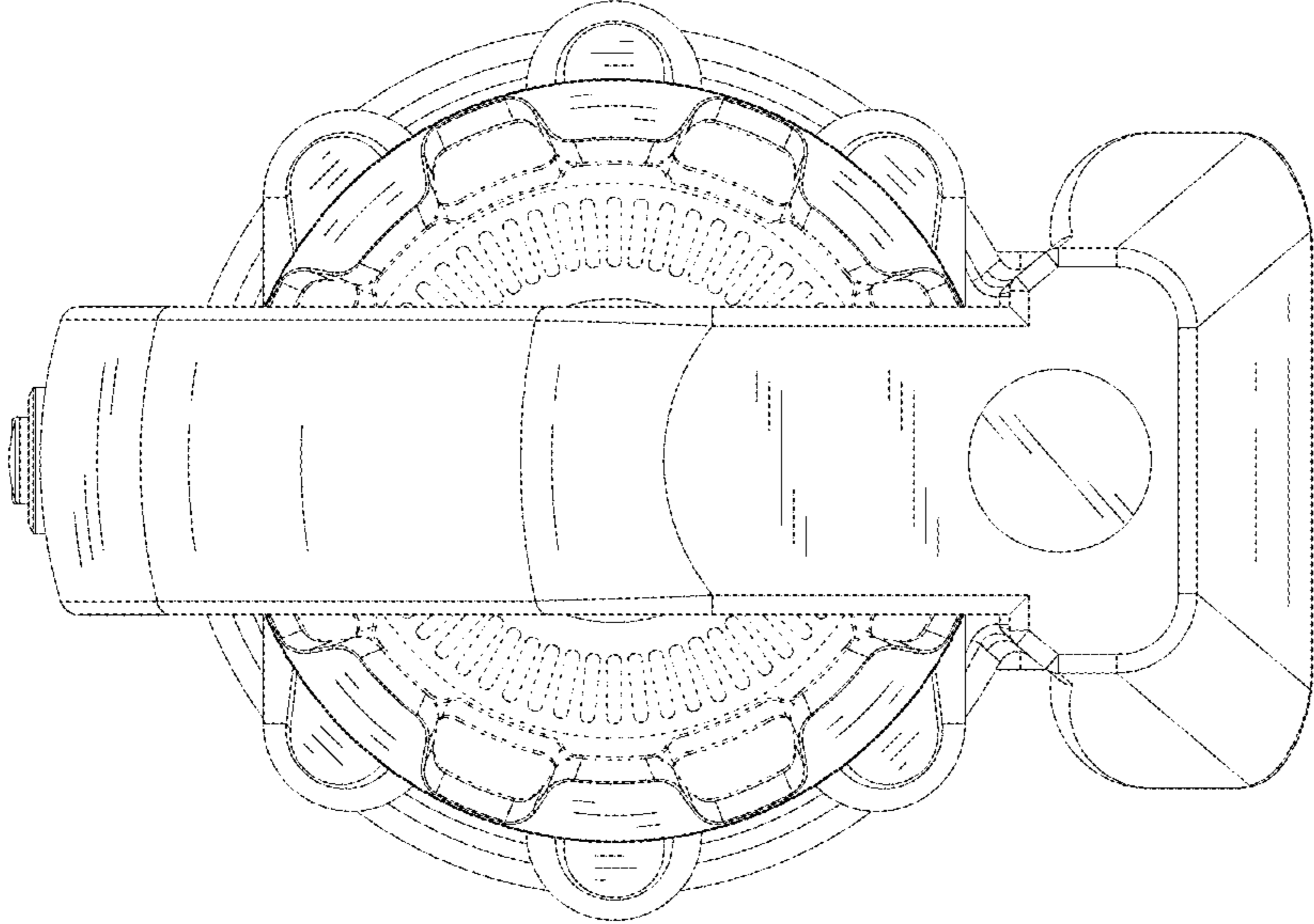


FIG. 3

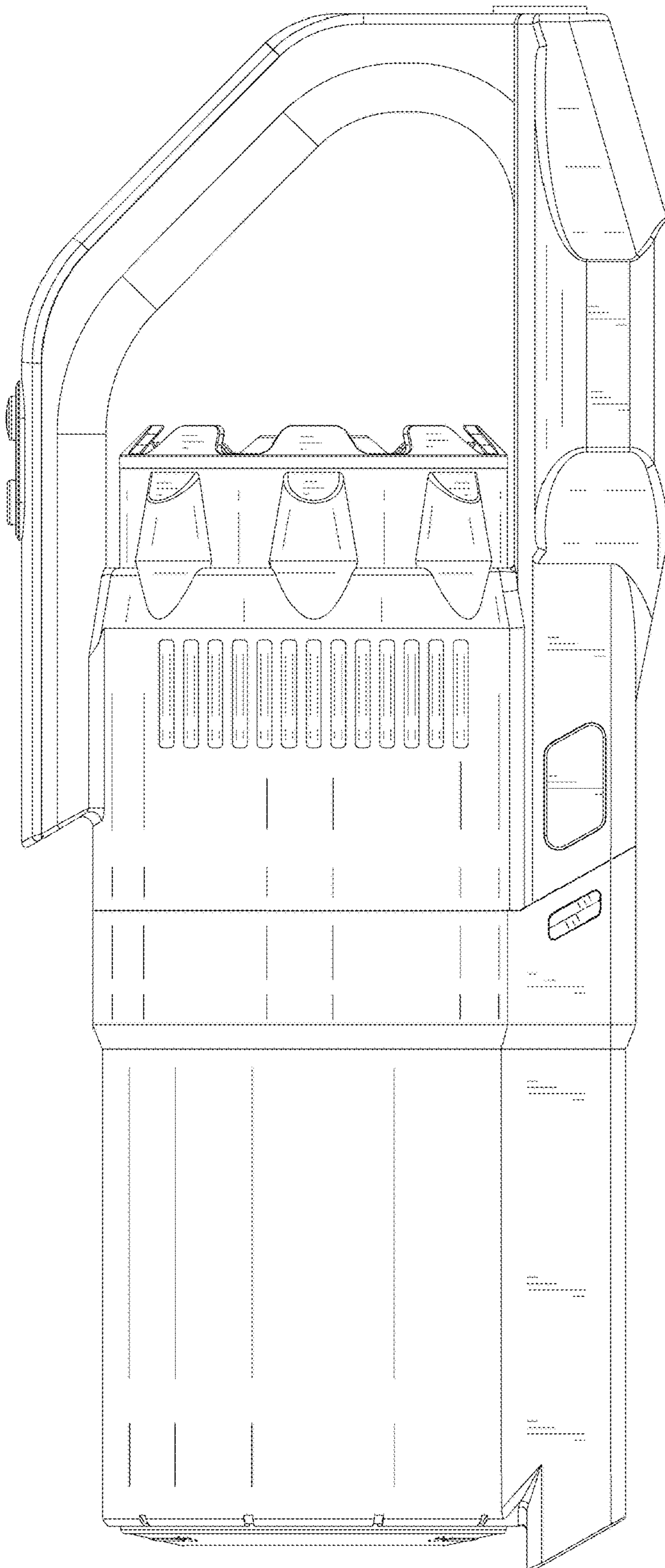


FIG. 4

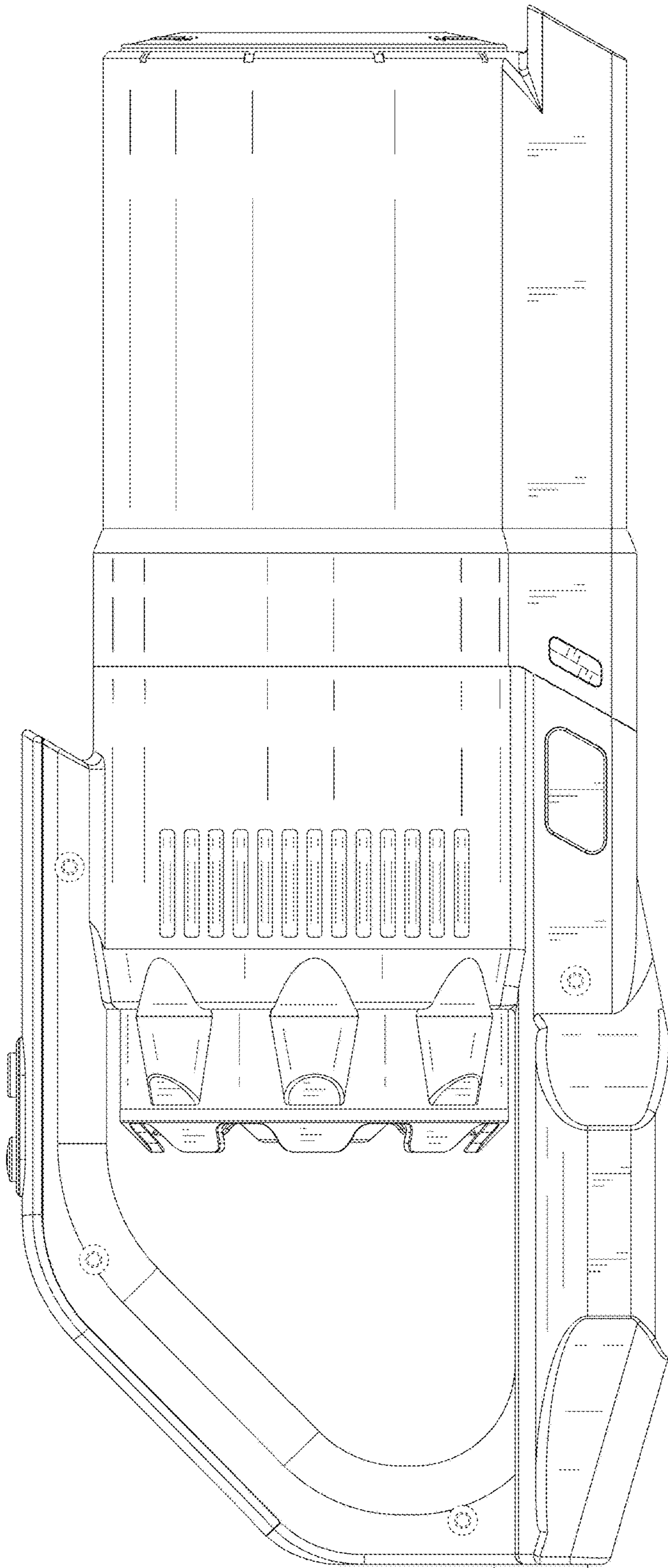


FIG. 5

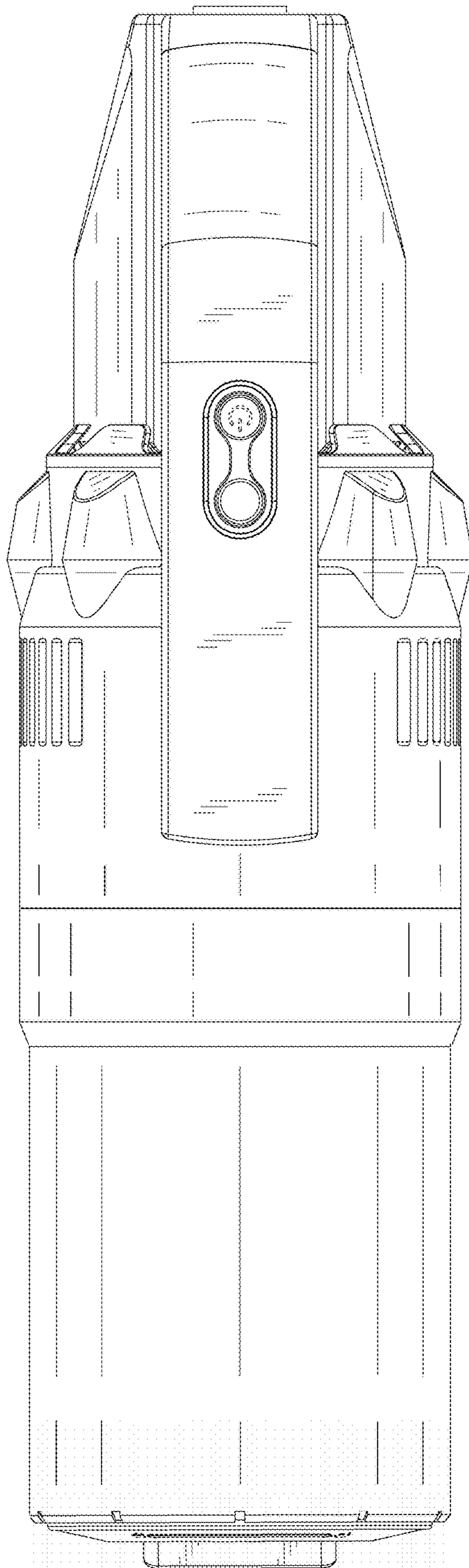


FIG. 6

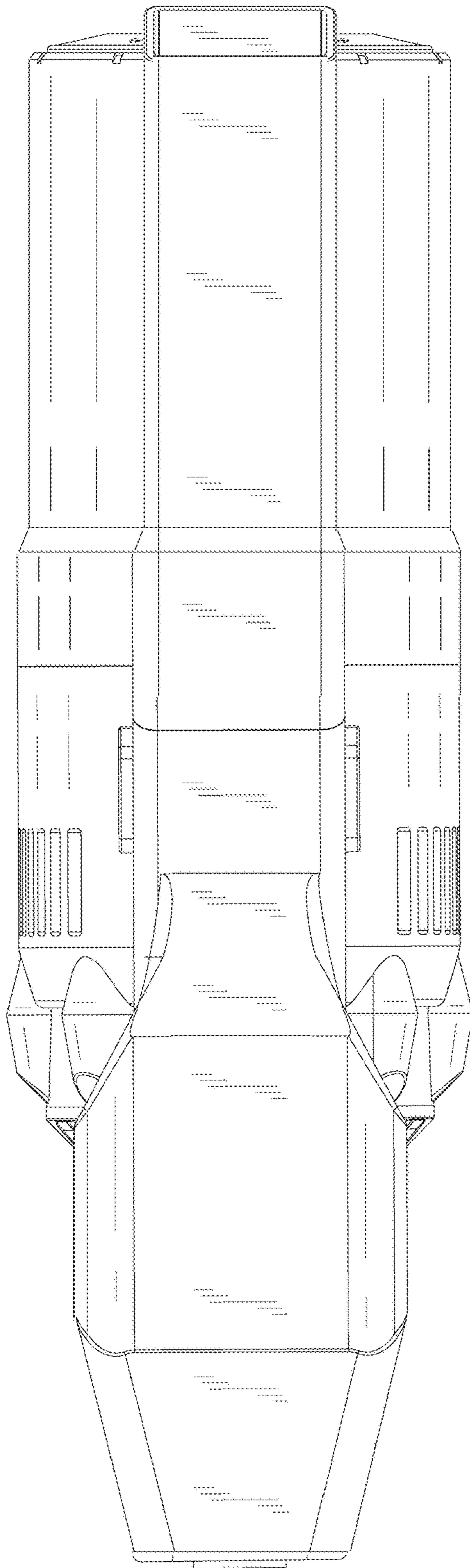


FIG. 7