



US00D924502S

(12) **United States Design Patent** (10) **Patent No.:** **US D924,502 S**
Xu (45) **Date of Patent:** **** Jul. 6, 2021**

(54) **HANDHELD VACUUM**
(71) Applicant: **Fuzhou Huodan Electronic Technology Co., Ltd., Fuzhou (CN)**

(72) Inventor: **Yixuan Xu, Shenzhen (CN)**

(**) Term: **15 Years**

(21) Appl. No.: **29/751,329**

(22) Filed: **Sep. 21, 2020**

(51) **LOC (13) Cl.** **15-05**

(52) **U.S. Cl.**
USPC **D32/18**

(58) **Field of Classification Search**
USPC D32/17, 18, 21, 22, 31; D21/526
CPC A47L 5/24; A47L 5/26; A47L 5/28; A47L 9/102; A47L 9/122; A47L 9/127; A47L 9/1608; A47L 9/1683; A47L 9/2857; A47L 9/2884; A47L 9/32; A47L 9/322; B04C 5/185; B08B 3/04; B01D 2279/55; B23Q 11/0046; B23Q 11/0071; E04H 4/1636; Y10T 29/49716
See application file for complete search history.

(56) **References Cited**

U.S. PATENT DOCUMENTS

D231,658 S *	5/1974	Stauff	D7/382
D275,427 S *	9/1984	Kishi	D32/18
D278,942 S *	5/1985	Chiu	D32/18
D280,452 S *	9/1985	Arita	D32/18
D283,064 S *	3/1986	Thomas	D32/18
D288,971 S *	3/1987	Hohulin	D32/18
D289,576 S *	4/1987	Okada	D32/18
D302,057 S *	7/1989	Fujii	D32/18
D304,511 S *	11/1989	Yuen	D32/18
D305,167 S *	12/1989	Case	D32/18
D307,657 S *	5/1990	Li	15/329
D314,846 S *	2/1991	deBlois	D32/18
D315,622 S *	3/1991	deBlois	D32/18
D356,191 S *	3/1995	Phelan	D32/18
D401,021 S *	11/1998	Stephens	D32/18

D404,857 S *	1/1999	Ng	D32/18
D435,707 S *	12/2000	Leung	D32/18
D448,894 S *	10/2001	Yuen	D32/18
D459,560 S *	6/2002	Lau	D32/18
D483,533 S *	12/2003	Ki	D32/18

(Continued)

FOREIGN PATENT DOCUMENTS

CN 304554035 * 3/2018

OTHER PUBLICATIONS

Hoover Jovis+ 15.6V Cordless Handheld Vacuum Cleaner, available in Amazon.com, date first available Feb. 9, 2016 [online], [site visited Feb. 10, 2021], Available from the internet URL: <https://www.amazon.co.uk/Hoover-SM156DPN-Cordless-Handheld-Cleaner/dp/B01A8JC2GW> (Year: 2016).*

(Continued)

Primary Examiner — Dana K Weiland
Assistant Examiner — Jennylou M Binas
(74) *Attorney, Agent, or Firm* — Rumit Ranjit Kanakia

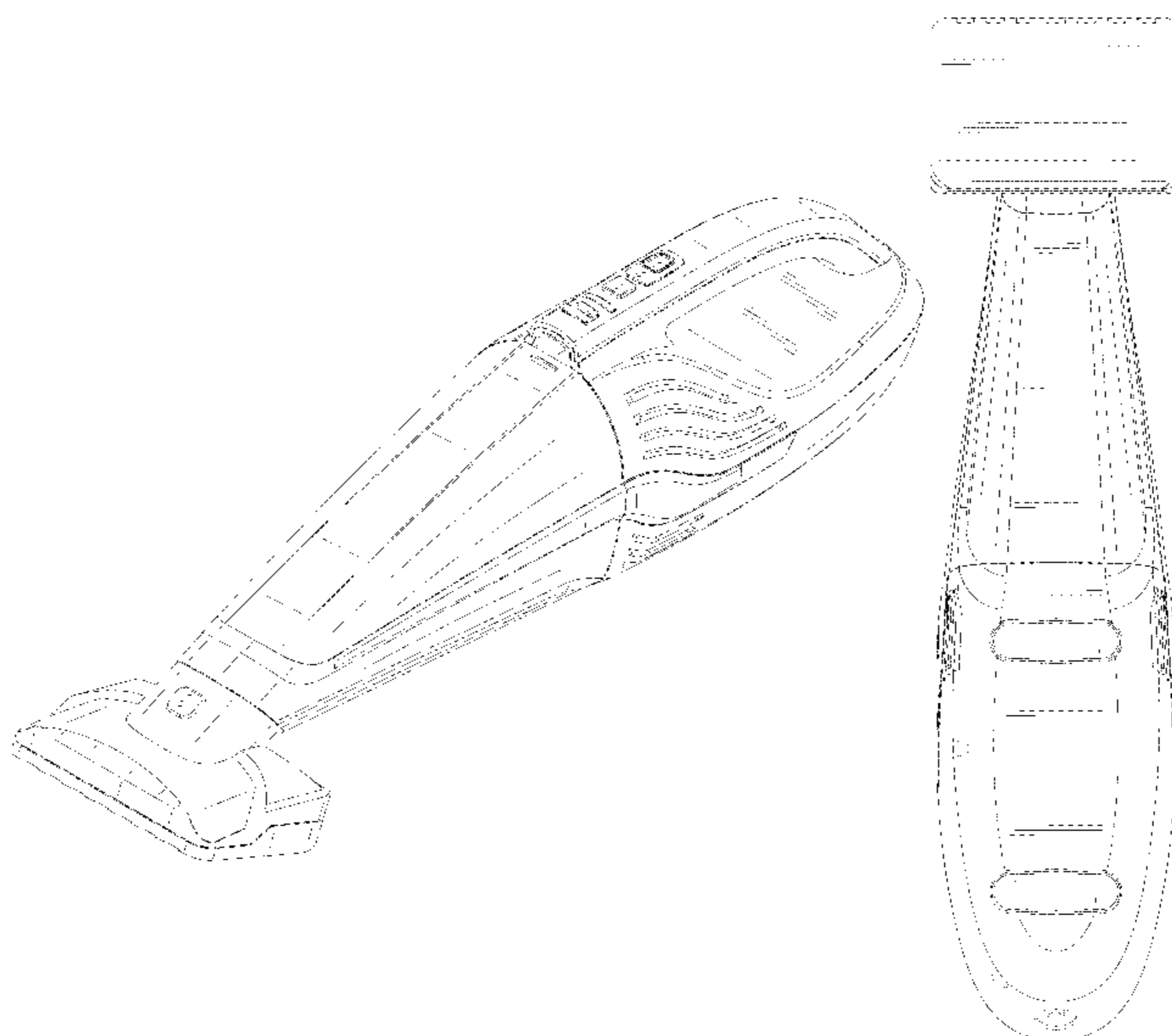
(57) **CLAIM**

I claim the ornamental design for a handheld vacuum, as shown and described.

DESCRIPTION

FIG. 1 is a Perspective view of a handheld vacuum showing my new design;
FIG. 2 is a Front view thereof;
FIG. 3 is a Back view thereof;
FIG. 4 is a Right-side view thereof;
FIG. 5 is a Left-side view thereof;
FIG. 6 is a Top view thereof; and,
FIG. 7 is a Bottom view thereof.
The broken lines are for the purpose of illustrating portions of the handheld vacuum that form no part of the claim.

1 Claim, 7 Drawing Sheets



(56)

References Cited

U.S. PATENT DOCUMENTS

D489,849 S	*	5/2004	Ki	D32/18
D501,065 S	*	1/2005	Ma	D32/18
D527,501 S		8/2006	Tai	
D530,464 S		10/2006	Tai	
D564,152 S		3/2008	Fjellman	
D571,063 S		6/2008	Brown	
D578,259 S		10/2008	Ågren et al.	
D660,527 S	*	5/2012	Kawase	D32/18
D720,102 S		12/2014	Gu et al.	
D844,266 S	*	3/2019	Wang	D32/18
D869,794 S	*	12/2019	Zhou	D32/18
D898,311 S	*	10/2020	Smith	D32/18

OTHER PUBLICATIONS

Bissell Pet Hair Eraser Ion Cordless Hand Vacuum, available in Amazon.com, customer review oldest date Jul. 17, 2018 [online], [site visited Feb. 9, 2021], Available from the internet URL: https://www.amazon.com/dp/B07CB6RBSP/ref=cm_sw_r_em_apafabc_TYGMC2ZA28NMVTM0Q67D?_encoding=UTF8&psc=1 (Year: 2018).*

* cited by examiner

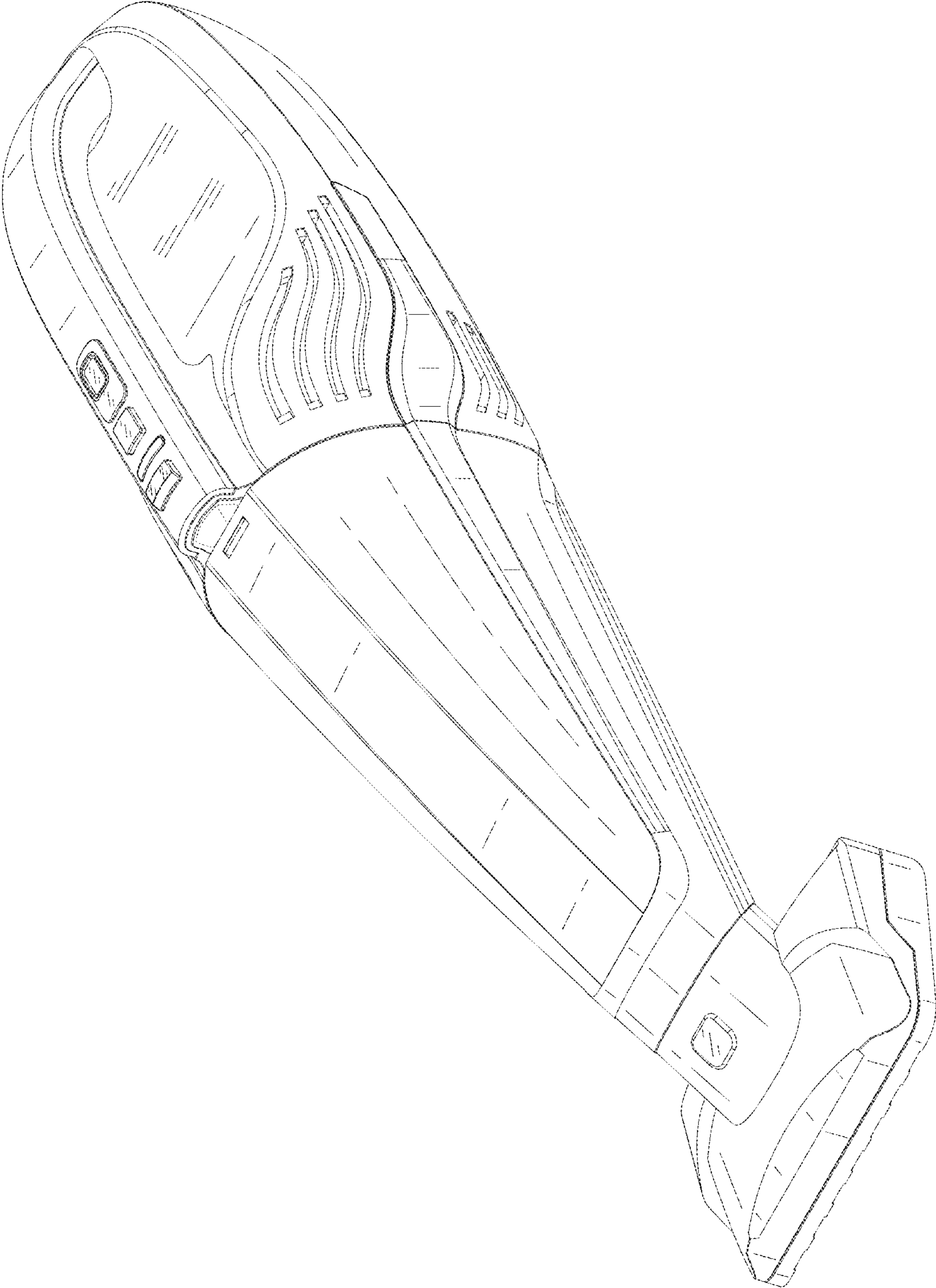


FIG. 1

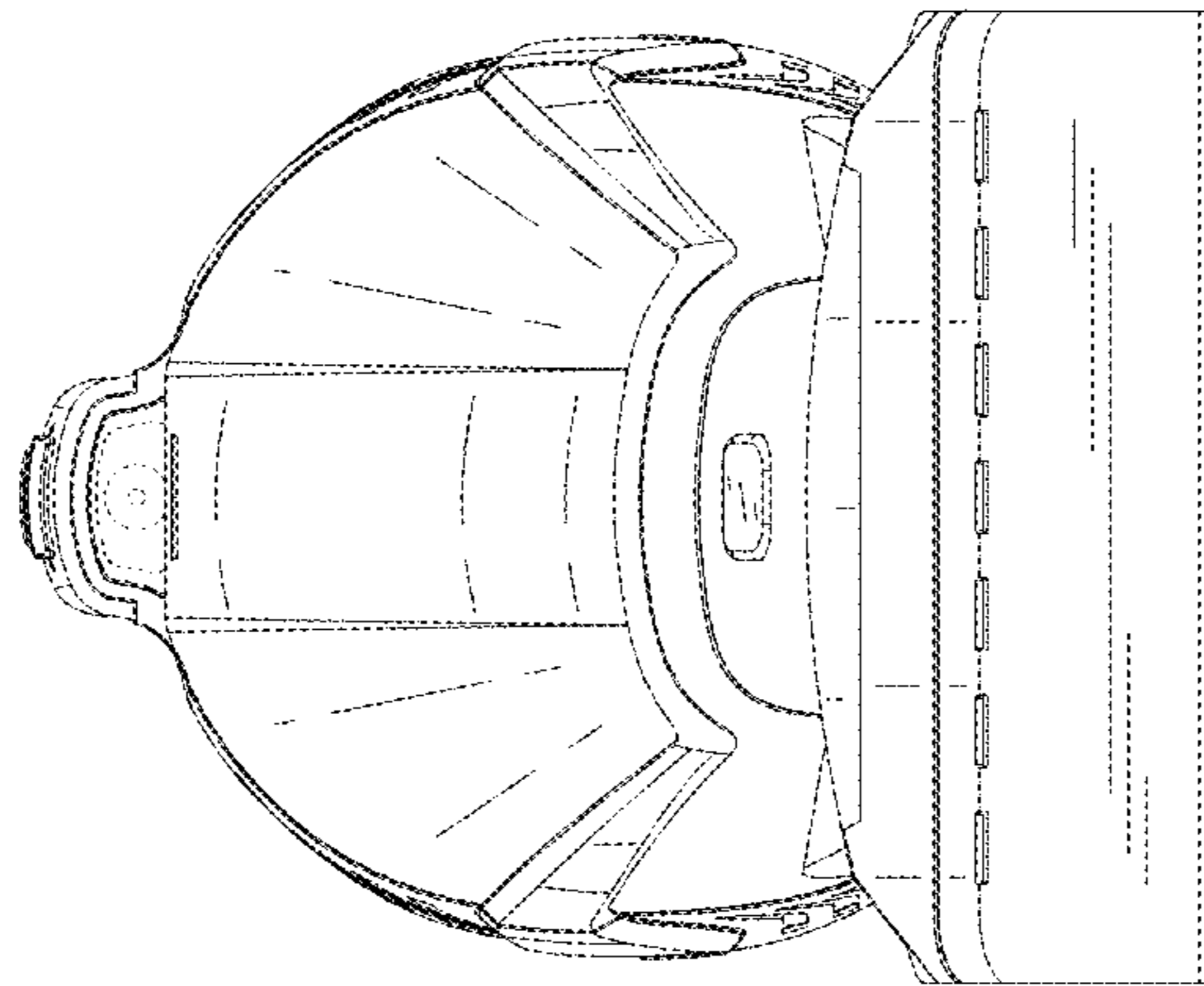


FIG. 2

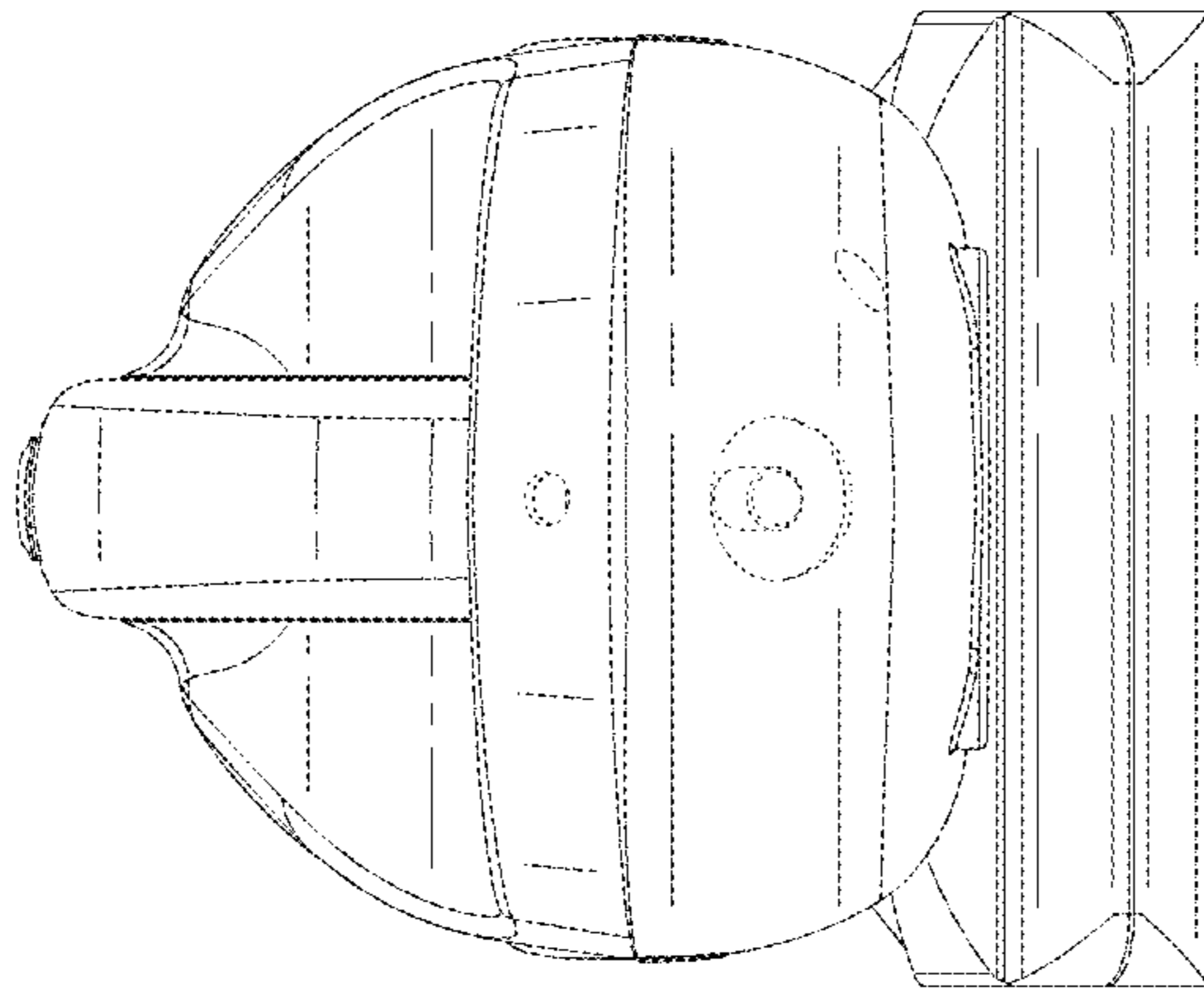


FIG. 3

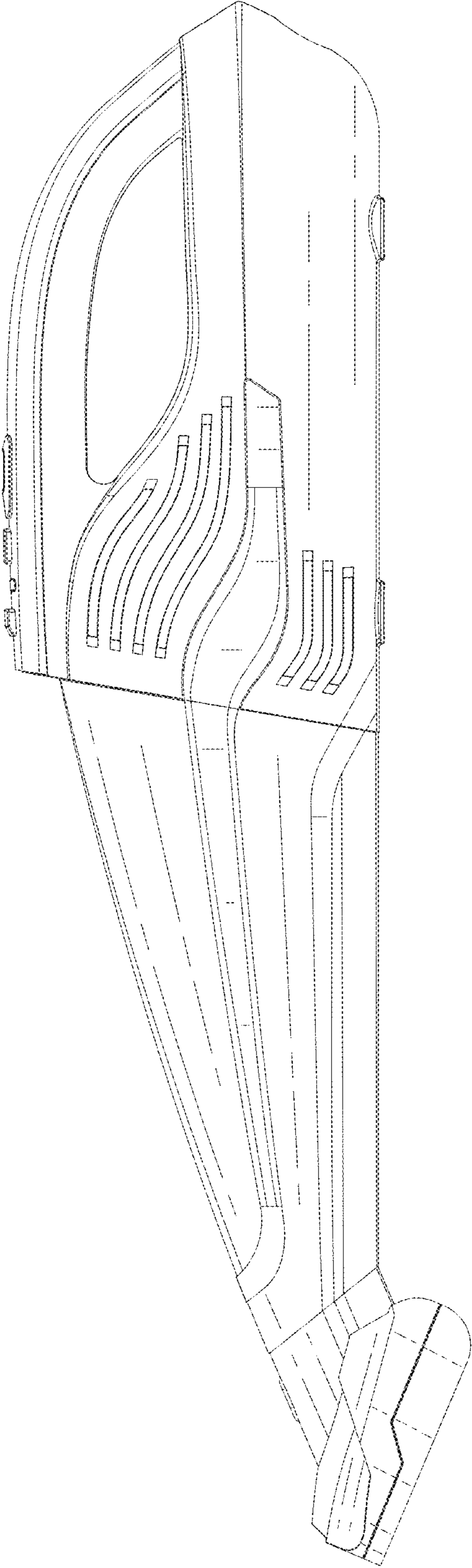


FIG. 4

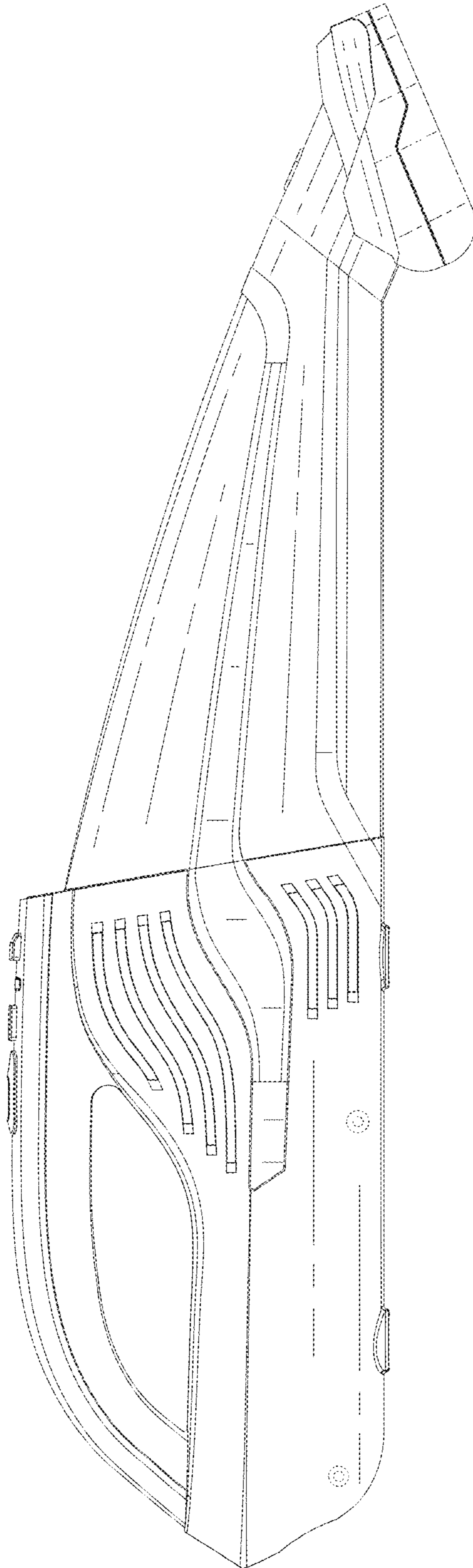


FIG. 5

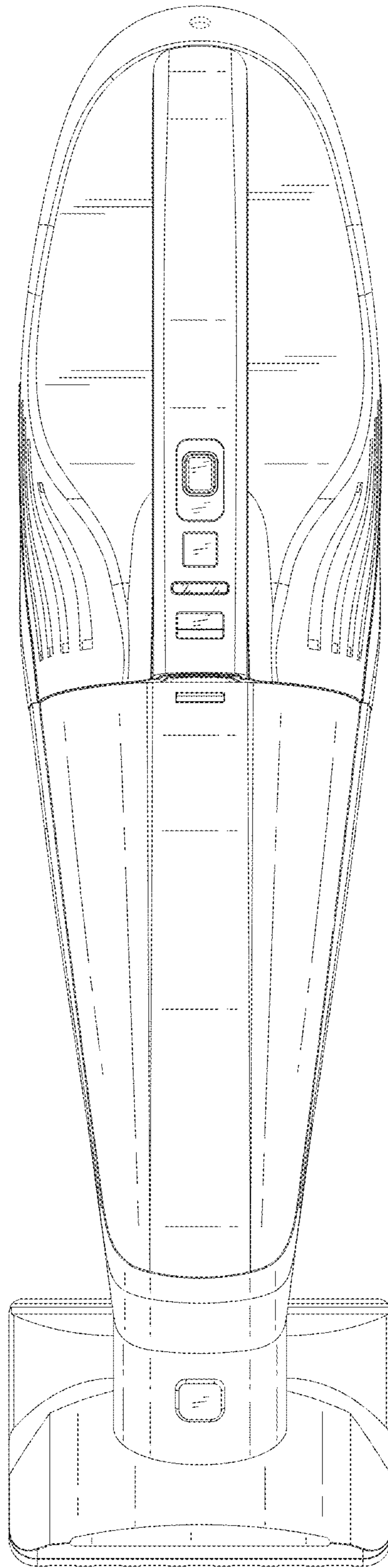


FIG. 6

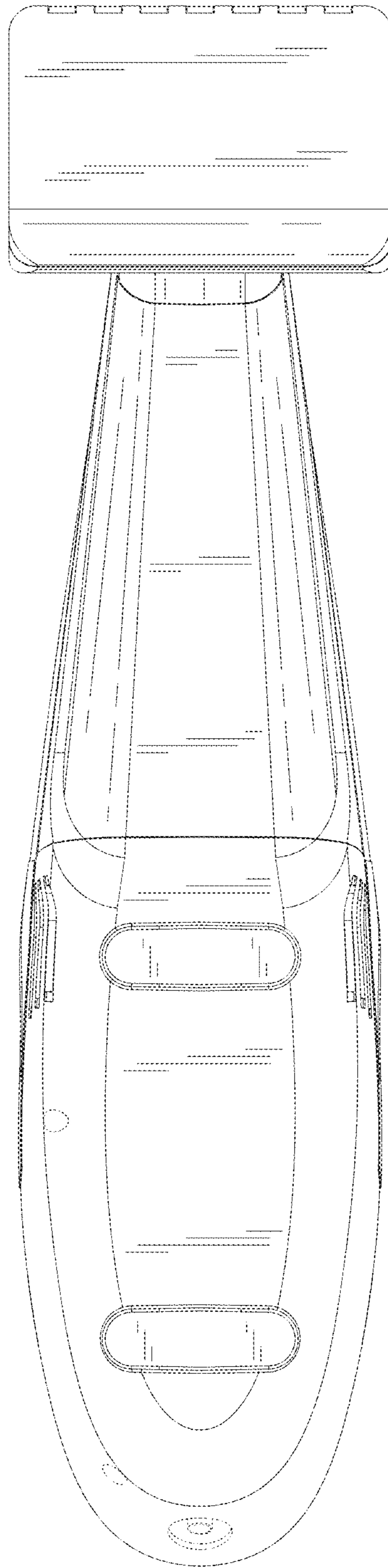


FIG. 7