



US00D924499S

(12) **United States Design Patent** (10) **Patent No.:** **US D924,499 S**
Rosell Tayadella et al. (45) **Date of Patent:** **** Jul. 6, 2021**

(54) **WASHING MACHINE**
 (71) Applicant: **GIRBAU SA**, Barcelona (ES)
 (72) Inventors: **Jordi Rosell Tayadella**, Barcelona (ES); **Enric Pons Alsina**, Barcelona (ES); **Luigi Iannello**, Arezzo (IT); **Andreu Presas Renom**, Barcelona (ES)

D735,425 S * 7/2015 Choi D32/6
 D773,755 S * 12/2016 Hwang D32/6
 D773,757 S * 12/2016 Hwang D32/6
 D778,009 S * 1/2017 Roberson D32/3

(Continued)

FOREIGN PATENT DOCUMENTS

CN 305046322 * 2/2019
 KR 300901307.0000 * 4/2020

(**) Term: **15 Years**
 (21) Appl. No.: **29/695,299**
 (22) Filed: **Jun. 18, 2019**

OTHER PUBLICATIONS

Samsung Front Load Washing Machine, Home Depot website reviews Apr. 2019, <https://www.homedepot.com/p/Samsung-4-5-cu-ft-High-Efficiency-Champagne-Front-Load...> site visited Jun. 8, 2020.*

(30) **Foreign Application Priority Data**
 Dec. 18, 2018 (EM) 005919008-0001
 (51) **LOC (13) Cl.** **15-05**
 (52) **U.S. Cl.**
 USPC **D32/6**
 (58) **Field of Classification Search**
 USPC D32/2-3, 5-7, 12-13, 25-29.1; D14/230
 CPC A47L 15/42; A47L 15/00; B65D 47/06;
 D06F 23/06; D06F 37/26
 See application file for complete search history.

Primary Examiner — John R Yeh
 (74) *Attorney, Agent, or Firm* — Eugenio J. Torres-Oyola; Victor M. Rodriguez-Reyes; Rafael Rodriguez-Muriel

(57) **CLAIM**

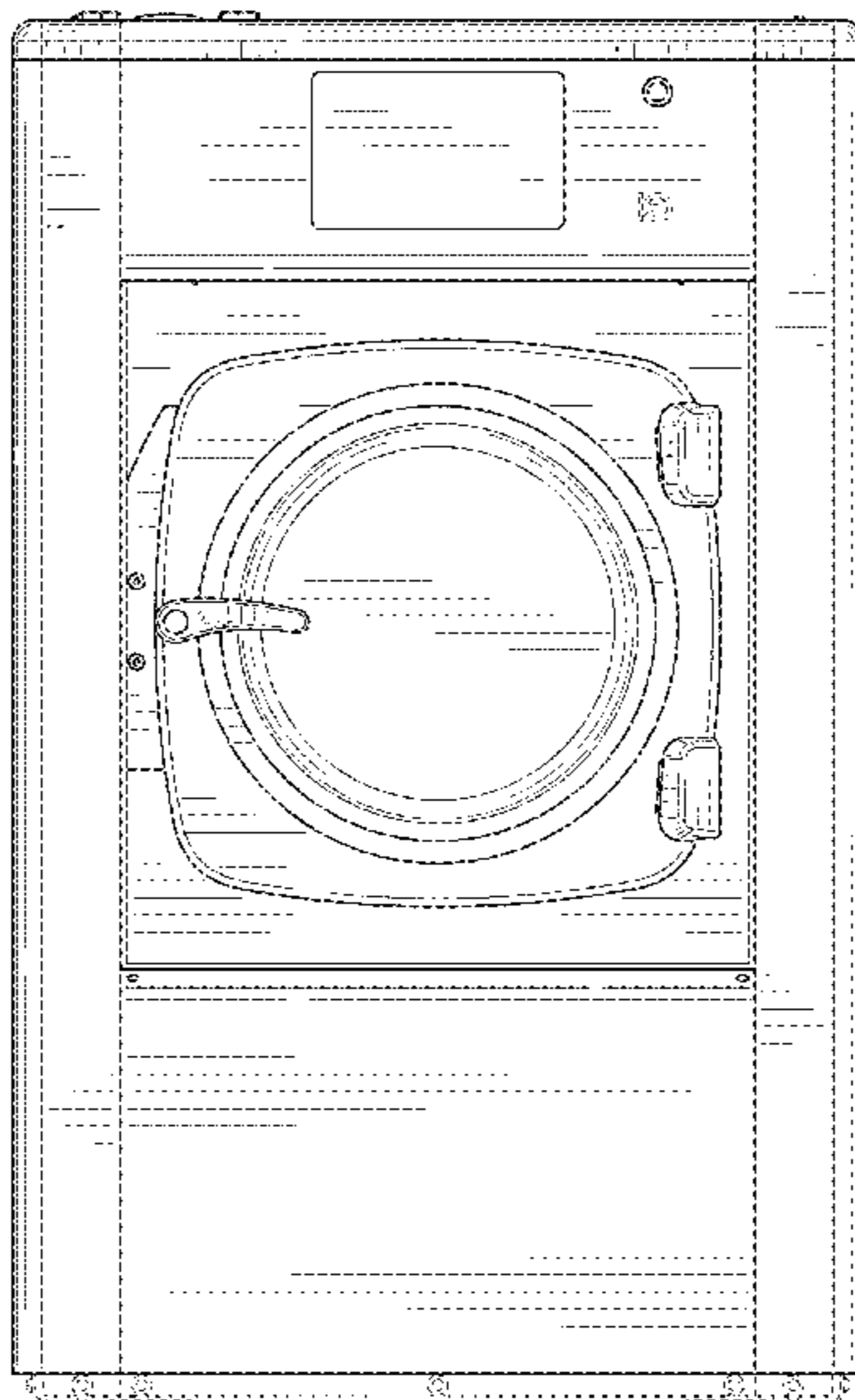
The ornamental design for a washing machine, as shown and described.

DESCRIPTION

FIG. 1 is a front view of a washing machine showing the present design.
 FIG. 2 is a top front-perspective view of the washing machine showing the present design.
 FIG. 3 is a top rear-perspective view of the washing machine showing the present design.
 FIG. 4 is a right-side view of the washing machine showing the present design.
 FIG. 5 is a left-side view of the washing machine showing the present design; and,
 FIG. 6 is a top view of the washing machine showing the present design.
 The broken lines shown in the drawings represent portions of the washing machine that form no part of the claimed design.

(56) **References Cited**
 U.S. PATENT DOCUMENTS
 D457,991 S * 5/2002 Baldwin D32/6
 D459,844 S * 7/2002 Baldwin D32/6
 D542,987 S * 5/2007 Crookshanks D32/6
 D582,105 S * 12/2008 Cho D32/6
 D620,648 S * 7/2010 Grobleben D32/3
 D695,472 S * 12/2013 Borjesson D32/6
 D703,884 S * 4/2014 Ha D32/6
 D729,996 S * 5/2015 Hwang D32/6
 D731,126 S * 6/2015 Ha D32/6
 D731,127 S * 6/2015 Ha D32/6
 D731,128 S * 6/2015 Ha D32/6
 D732,763 S * 6/2015 Hwang D32/6
 D735,424 S * 7/2015 Ha D32/6

1 Claim, 6 Drawing Sheets



(56)

References Cited

U.S. PATENT DOCUMENTS

D785,256	S *	4/2017	Yoon	D32/25
D785,257	S *	4/2017	Kim	D32/25
D785,881	S *	5/2017	Yoon	D32/25
D858,011	S *	8/2019	Xie	D32/6
D860,552	S *	9/2019	Roberson	D32/3
2004/0244435	A1 *	12/2004	Kim	D06F 39/14
					68/12.26
2012/0036900	A1 *	2/2012	Hong	D06F 39/14
					68/139

* cited by examiner

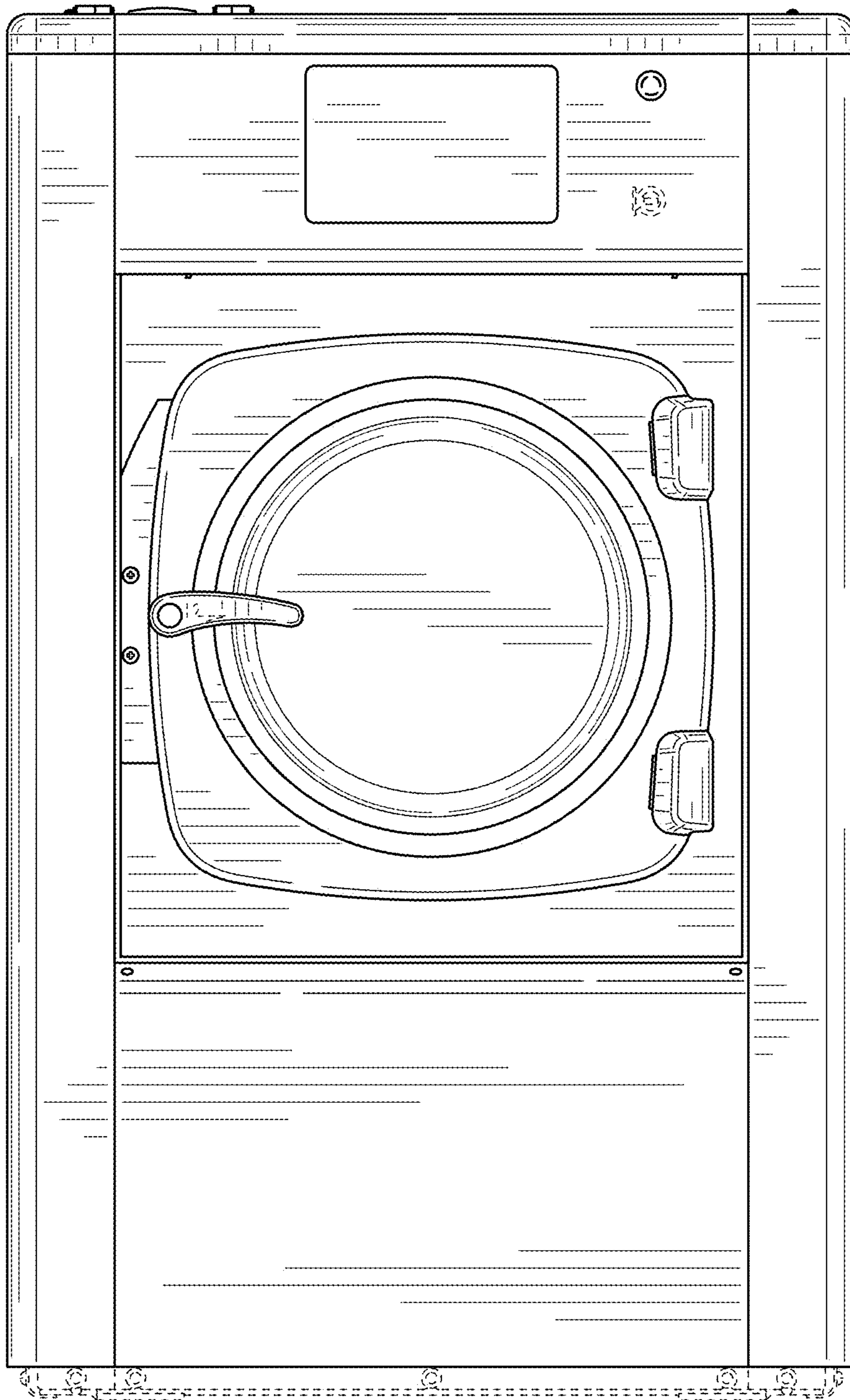


FIG. 1

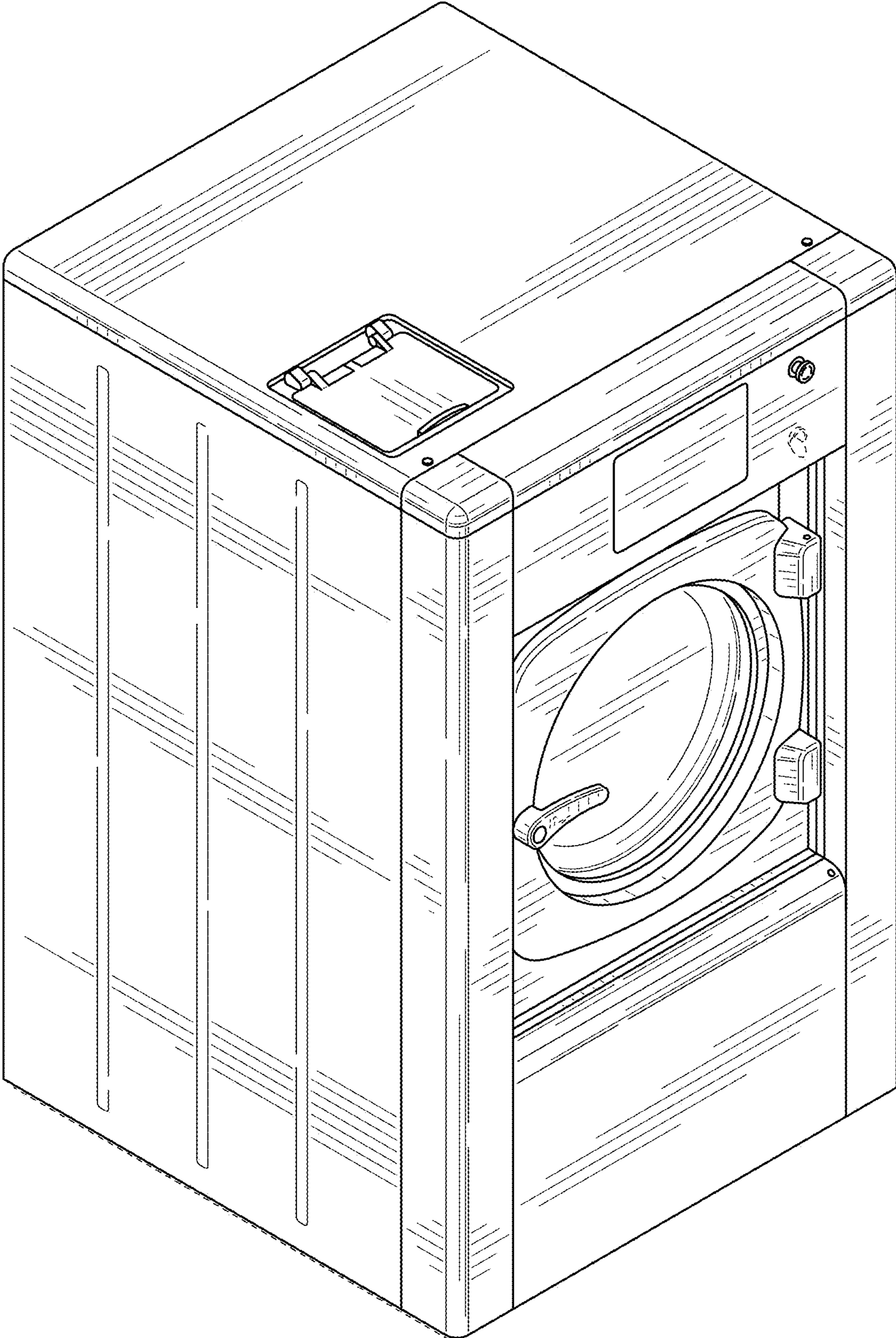


FIG. 2

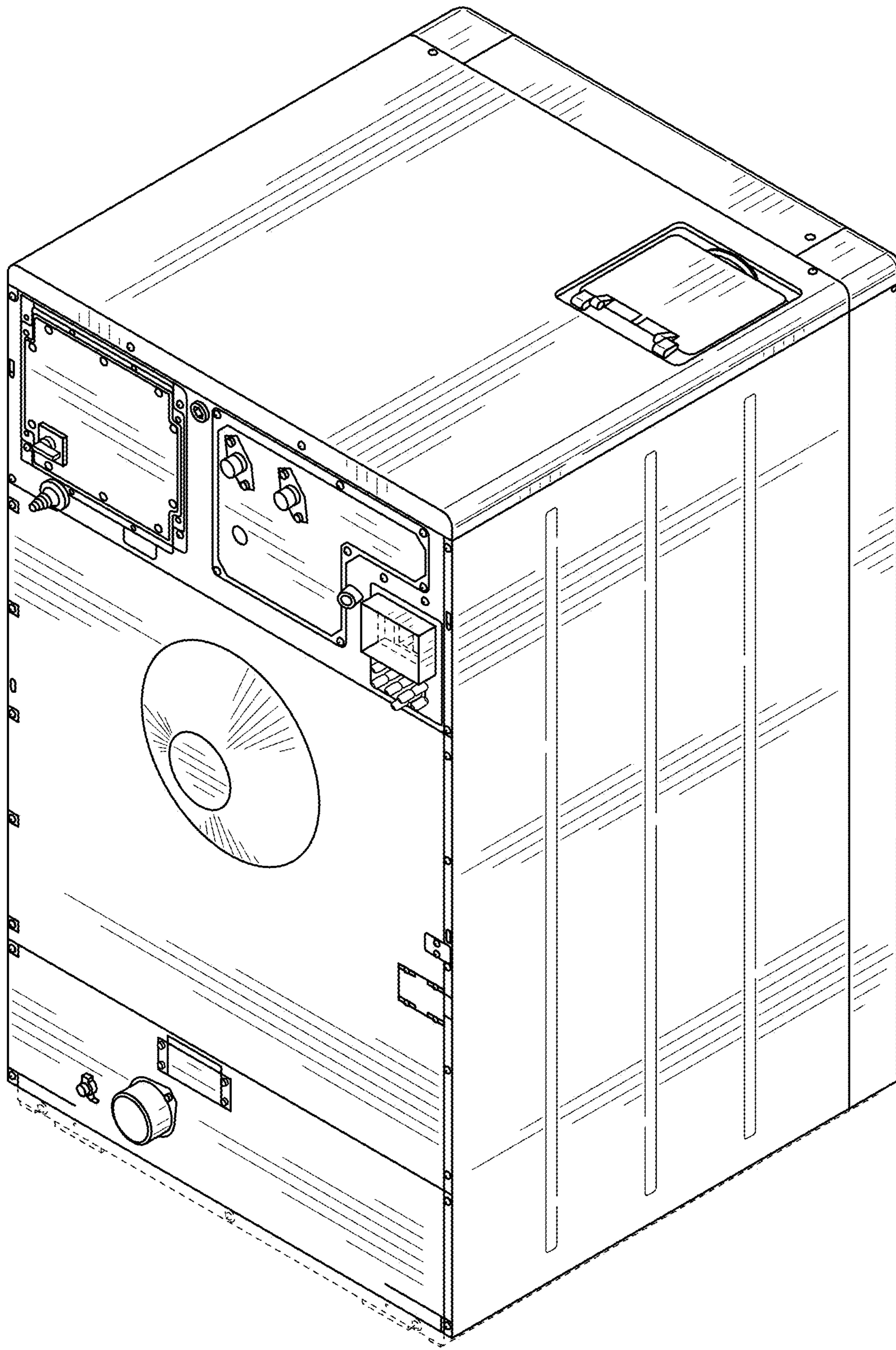


FIG. 3

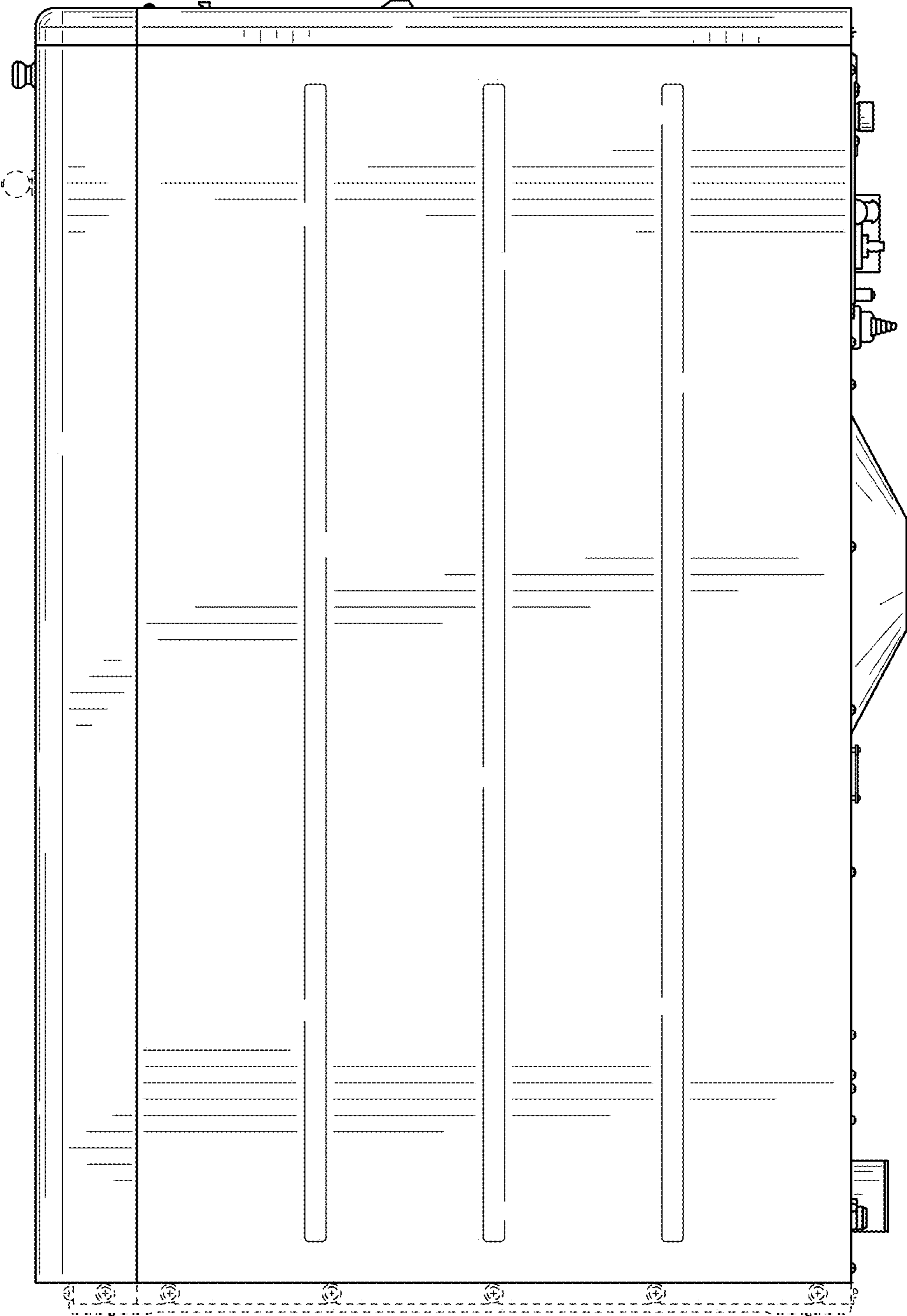


FIG. 4

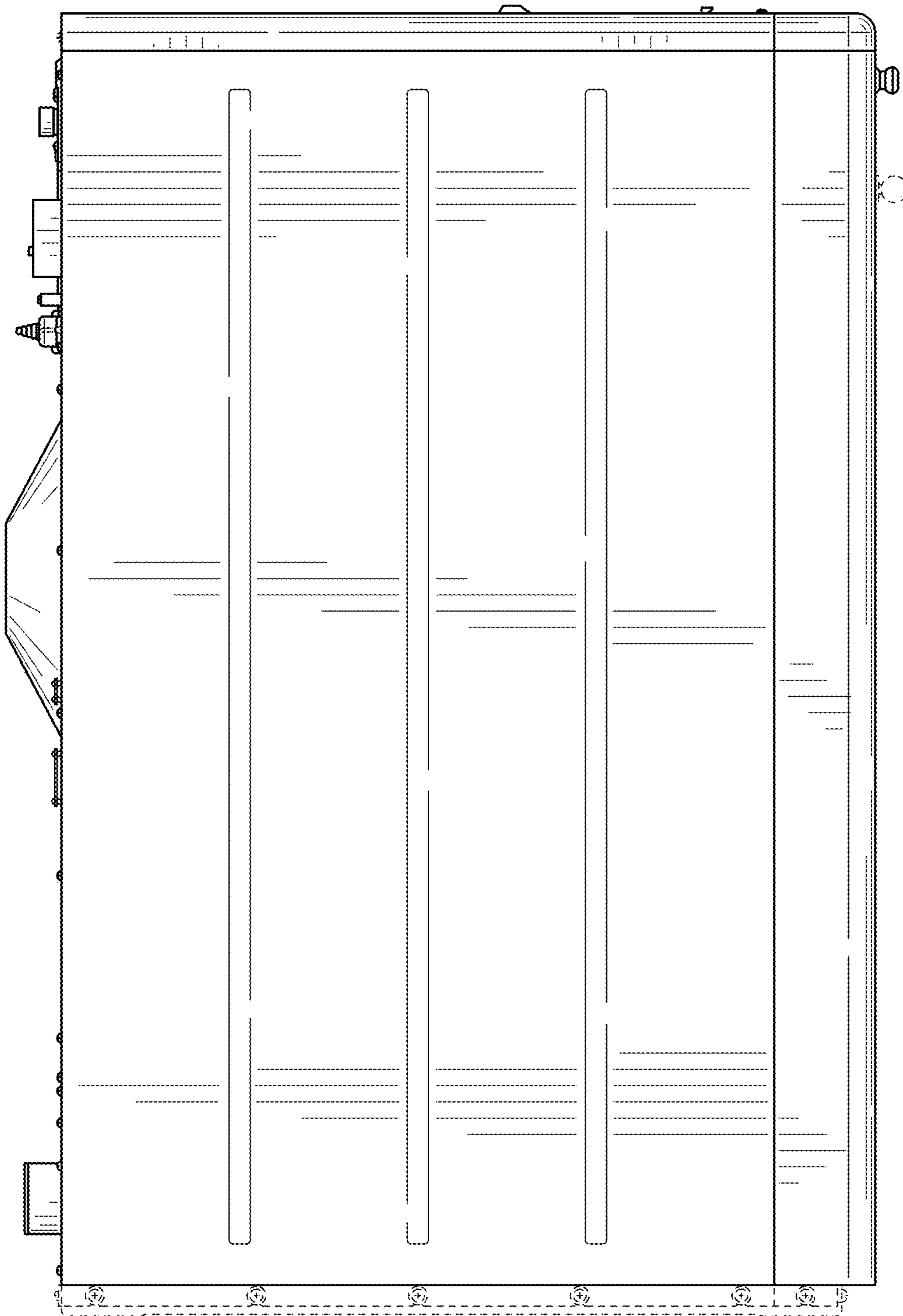


FIG. 5

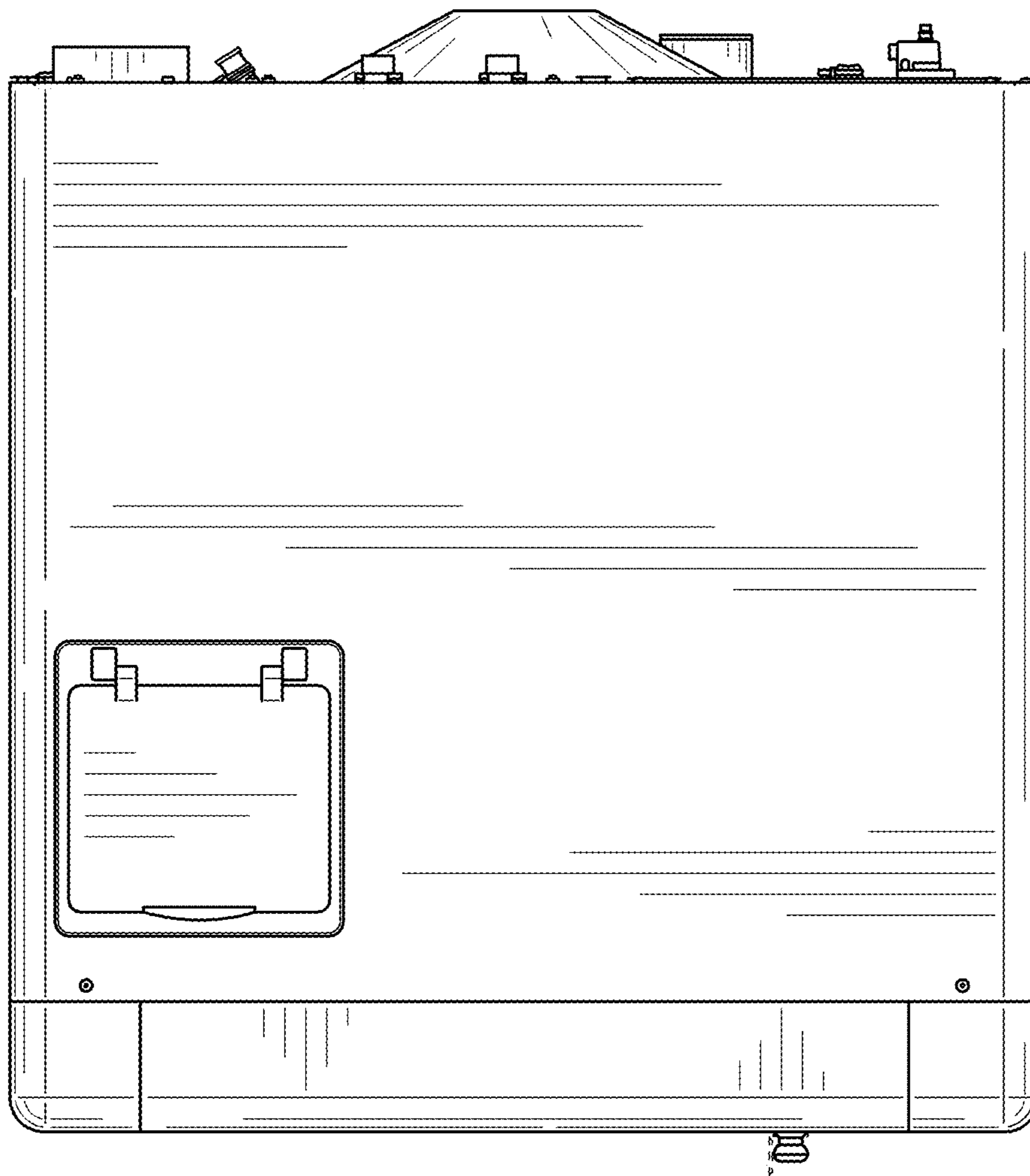


FIG. 6