



US00D924498S

(12) **United States Design Patent**
Gao

(10) **Patent No.:** **US D924,498 S**
(45) **Date of Patent:** **** Jul. 6, 2021**

- (54) **PET LITTER SCOOP**
- (71) Applicant: **Hongtao Gao**, Xiangyang (CN)
- (72) Inventor: **Hongtao Gao**, Xiangyang (CN)
- (**) Term: **15 Years**
- (21) Appl. No.: **29/772,579**
- (22) Filed: **Mar. 3, 2021**
- (51) **LOC (13) Cl.** **30-99**
- (52) **U.S. Cl.**
USPC **D30/162**
- (58) **Field of Classification Search**
USPC D30/162, 199; 273/447; D8/1, 4-11, 13,
D8/14, 105, 106, 107, 300, 301, 303, 307,
D8/310-313, 315-321; D34/1, 10, 28,
D34/34, 35; D21/532; D29/124;
D7/642, 644, 683, 685, 686, 687, 688,
D7/393, 648; 119/867, 161;
294/1.3-1.5, 19.2, 19.3, 86.4, 86.11,
294/86.19, 86.42, 86.12, 86.17, 86.2,
294/86.21, 86.24, 86.26, 86.32, 87.26,
294/196-198, 210, 111, 49-58, 176,
294/180-182, 179; 132/273, 277, 283,
132/284, 128-156, 236, 252, 259-263;
15/257.1, 228, 229.2, 119.1, 119.2, 120.2,
15/104.001, 120.1, 144.3, 145;
446/424-428, 491, 330, 86; 56/400.17,
56/400.01, 400.04-400.11, 400.1, 400.14,
56/400.16, 400.21; 172/371, 373-375,
172/378, 379, 381; D32/38-40, 44, 50,
D32/52, 74, 35; 16/110.1, 111.1, 421,
16/422, 429, 430, 444
CPC A01K 1/01; A01K 1/0128; A01K 1/0132;
A01K 23/005; E01H 1/1206; E01H 1/12;
E01H 1/1213; E01H 2001/122; E01H
2001/1226; E01H 2001/1233; E01H
2001/1246; E01H 2001/1293; A63H
17/266; A63H 17/12; A63H 17/26; A63H
23/005; A63H 23/16; A63H 33/3044;
A63H 33/3072; B25J 1/02; B25J 1/06;

A01B 1/20; A01B 1/22; A01B 1/227;
A01D 7/00; A01D 7/02; A01D 7/04;
A01D 7/06; A01D 7/08; A01D 7/10;
A01D 11/00; A01D 11/06; B25G 1/00;
B25G 1/04; B25G 3/30; E04D 15/00;
E04D 15/003; E04D 15/006; Y10T
403/40; Y10T 403/46; Y10T 403/7005;
A46B 2200/302; A46B 2200/3026; A46B
2200/3073; A46B 5/002; A46B 5/0033;
A46B 5/0041; A46B 5/005; A46B
5/0054; A46B 5/0058; A46B 5/0079;
A46B 5/0083; A46B 5/026; B24D
13/045; B25B 23/16

See application file for complete search history.

(56) **References Cited**

U.S. PATENT DOCUMENTS

- 3,767,249 A * 10/1973 Rogers A01B 1/00
294/49
- 3,868,135 A * 2/1975 Magliaro A01K 23/005
294/1.5

(Continued)

Primary Examiner — Susan Moon Lee

(74) *Attorney, Agent, or Firm* — True Shepherd LLC;
Andrew C. Cheng

(57) **CLAIM**

The ornamental design for pet litter scoop, as shown and described.

DESCRIPTION

FIG. 1 is a perspective view of a pet litter scoop showing my new design;
FIG. 2 is a front view thereof;
FIG. 3 is a rear view thereof;
FIG. 4 is a left side view thereof;
FIG. 5 is a right side view thereof;
FIG. 6 is a top plan view thereof; and,
FIG. 7 is a bottom plan view thereof.

1 Claim, 7 Drawing Sheets



(56)

References Cited

U.S. PATENT DOCUMENTS

D262,686	S *	1/1982	Anderson	D30/162	10,787,778	B1 *	9/2020	Swiry	B65F 1/0006
4,562,611	A *	1/1986	Marttinen	A47L 13/52	D903,211	S *	11/2020	Gao	D30/162
4,865,372	A *	9/1989	Gabriel	A01B 1/00	D908,297	S *	1/2021	Carriere	D32/35
D330,321	S *	10/1992	Berti	D8/107	10,927,517	B2 *	2/2021	Fulbrook	E01H 1/1206
5,269,575	A *	12/1993	Parvaresh	A01K 23/005	2002/0092105	A1 *	7/2002	Laux	A47L 13/142
5,548,864	A *	8/1996	Vosbikian	A47L 13/52					15/120.1
5,562,318	A *	10/1996	McBroom	A01K 1/0114	2003/0204926	A1 *	11/2003	Jurgens	B25G 1/04
5,868,447	A *	2/1999	Clark	E01H 1/1206					15/144.3
D406,415	S *	3/1999	Martin	D30/162	2003/0208867	A1 *	11/2003	Laux	A47L 13/142
D409,804	S *	5/1999	Nunes	D30/162					15/120.1
6,030,011	A *	2/2000	Layton	E01H 1/1206	2004/0124646	A1 *	7/2004	Peko	A01K 23/005
6,039,369	A *	3/2000	Stahovic	E01H 1/1206					294/1.4
6,125,494	A *	10/2000	Morad	A47L 13/14	2004/0164568	A1 *	8/2004	Diehl	A01K 23/005
D437,462	S *	2/2001	Whall	294/1.4					294/1.4
6,196,600	B1 *	3/2001	Miller	E01H 1/1206	2006/0123575	A1 *	6/2006	Maloney	A47L 13/24
6,398,278	B1 *	6/2002	Orr	E01H 1/1206					15/144.1
6,554,334	B2 *	4/2003	Rincon Uribe	E01H 1/1206	2006/0243866	A1 *	11/2006	Demus	E01H 1/1206
6,641,188	B2 *	11/2003	Arceo	E01H 1/1206					248/99
6,732,402	B1 *	5/2004	Hsu	A47L 13/52	2007/0240268	A1 *	10/2007	Le	A47L 13/20
6,820,628	B2 *	11/2004	Larson	A01B 1/02					15/98
D507,082	S *	7/2005	Miklosovic	294/1.4	2009/0058114	A1 *	3/2009	Diehl	E01H 1/1206
7,484,859	B1 *	2/2009	Burke	A47L 13/52					294/1.4
D622,018	S *	8/2010	Renner	D32/50	2009/0072559	A1 *	3/2009	Wilkerson	E01H 1/1206
7,870,835	B2 *	1/2011	Amerena	A01K 1/0114					294/1.4
8,066,311	B2 *	11/2011	Axelrod	E01H 1/1206	2009/0307855	A1 *	12/2009	Kao	A47L 13/142
D677,849	S *	3/2013	Petersen	D32/74					15/3
D679,558	S *	4/2013	Margeson	D8/1	2010/0218327	A1 *	9/2010	Chen	A47L 13/142
D718,011	S *	11/2014	Lentine	D32/52					15/228
8,955,893	B1 *	2/2015	Stern	E01H 1/1206	2011/0095213	A1 *	4/2011	Roman	F15B 15/16
8,959,697	B2 *	2/2015	Yu	A47L 13/14					251/12
9,228,307	B2 *	1/2016	Dixit	E01H 1/1206	2011/0225752	A1 *	9/2011	Yu	B25G 1/04
9,241,560	B1 *	1/2016	Angel	A46B 11/063					15/119.1
9,474,428	B2 *	10/2016	Sampaio	A46B 5/0095	2011/0239389	A1 *	10/2011	Ting	A47L 13/58
9,609,849	B1 *	4/2017	Hyman, Jr.	A01K 23/005					15/120.2
D789,637	S *	6/2017	Dobson, III	D32/51	2011/0247163	A1 *	10/2011	Chen	A47L 13/142
D811,022	S *	2/2018	Myerson						15/228
D811,181	S *	2/2018	Koehler	D8/10	2011/0271472	A1 *	11/2011	Yang	A46B 5/0095
D811,667	S *	2/2018	Renforth						15/147.1
9,920,495	B1 *	3/2018	Filmer	E01H 1/1206	2012/0080894	A1 *	4/2012	Williamson	A01K 23/005
D854,761	S *	7/2019	Filmer	D30/162					294/1.4
10,352,009	B1 *	7/2019	Cook	E01H 1/1206	2012/0090122	A1 *	4/2012	Lin	A47L 13/58
D860,550	S *	9/2019	Filmer	D30/162					15/228
10,472,782	B1 *	11/2019	Li	E01H 1/1206	2012/0233794	A1 *	9/2012	Yu	A47L 13/14
D874,751	S *	2/2020	Smith	D30/162					15/98
D875,339	S *	2/2020	Tullney	D32/51	2012/0235431	A1 *	9/2012	Beaton	E01H 1/1206
10,577,765	B2 *	3/2020	Fulbrook	E01H 1/1206					294/1.3
D896,451	S *	9/2020	Perez et al.		2012/0274089	A1 *	11/2012	Green	E01H 1/1206
									294/1.4
					2012/0311805	A1 *	12/2012	Hasegawa	A47L 13/16
									15/231
					2013/0104328	A1 *	5/2013	Weaver	A46B 5/0054
									15/119.1
					2013/0247322	A1 *	9/2013	Hasegawa	A47L 13/16
									15/231
					2013/0313842	A1 *	11/2013	McNair	E01H 1/1206
									294/1.4
					2015/0102618	A1 *	4/2015	Dixit	E01H 1/1206
									294/1.4
					2015/0115634	A1 *	4/2015	Young	E01H 1/1206
									294/1.4
					2016/0113382	A1 *	4/2016	Sampaio	A46B 5/0095
									15/104.8
					2016/0128462	A1 *	5/2016	Hoff	A46B 15/0055
									15/105
					2016/0312420	A1 *	10/2016	Parazynski	E01H 1/1206
					2018/0058025	A1 *	3/2018	Filmer	E01H 1/1206
					2018/0317735	A1 *	11/2018	Dobson, III	A47L 13/52

* cited by examiner

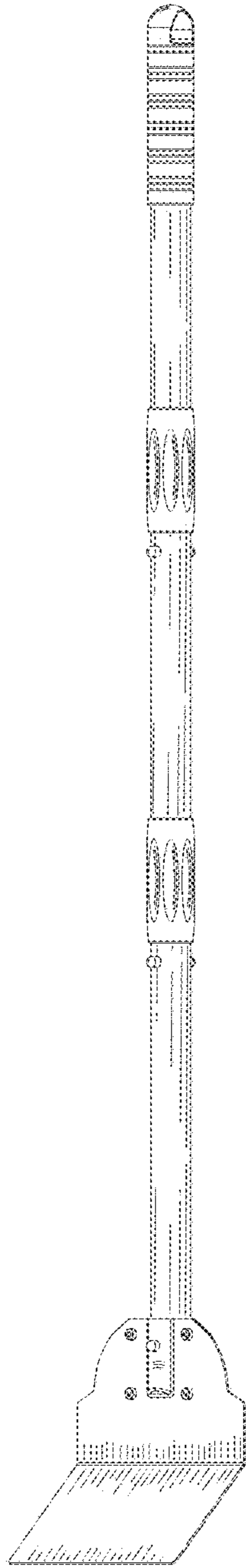


FIG. 1

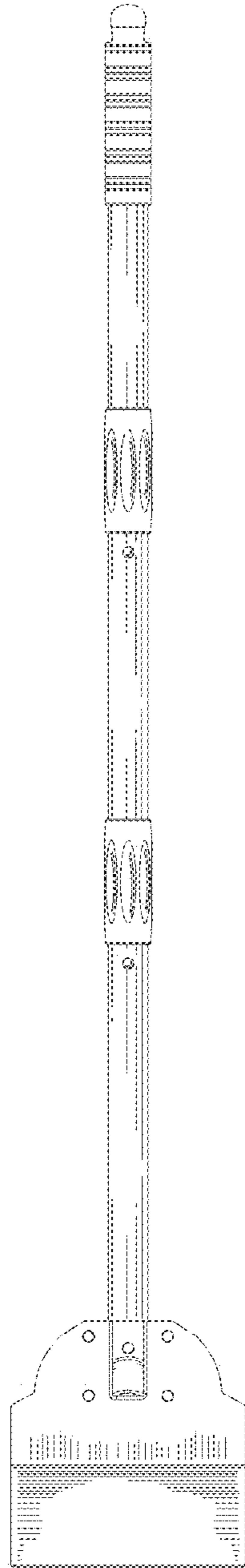


FIG. 2

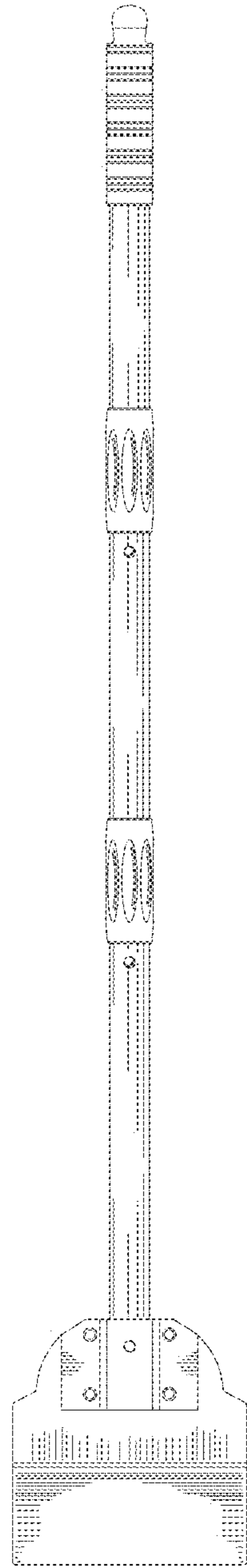


FIG. 3

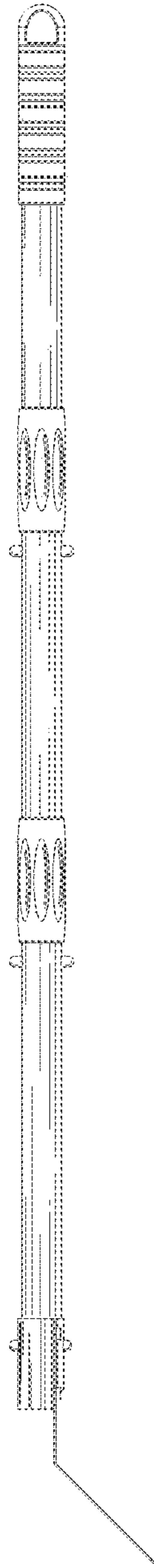


FIG. 4

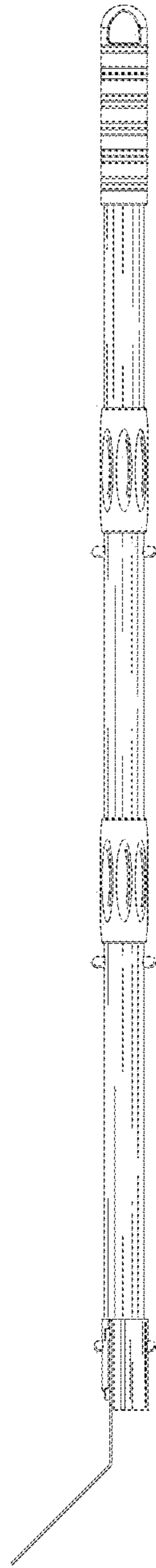


FIG. 5

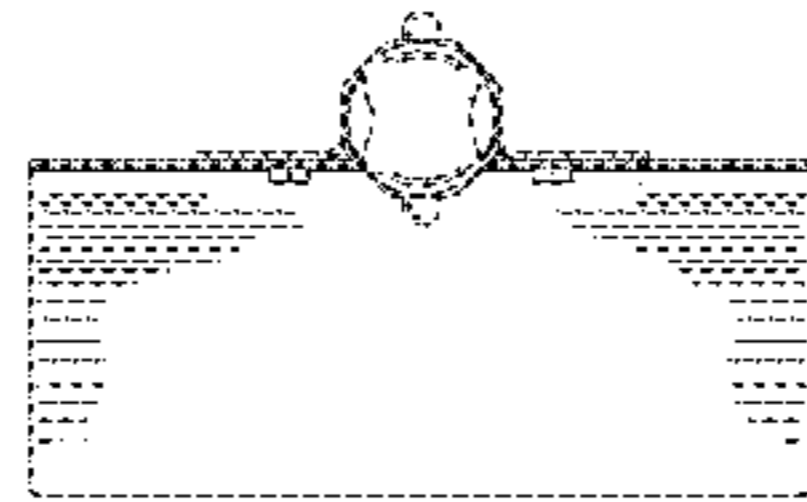


FIG. 6

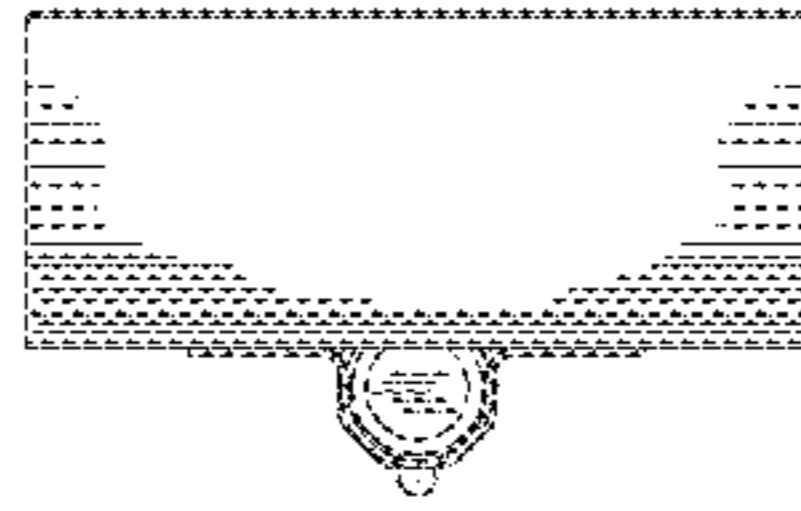


FIG. 7