



US00D924497S

(12) **United States Design Patent** (10) **Patent No.:** **US D924,497 S**  
**Wei** (45) **Date of Patent:** **\*\* Jul. 6, 2021**

(54) **PET NAIL GRINDER**  
 (71) Applicant: **SHENZHEN JOYU APPLIANCE CO., LTD.**, Shenzhen (CN)  
 (72) Inventor: **Zhuhui Wei**, Shaowu (CN)  
 (\*\*) Term: **15 Years**  
 (21) Appl. No.: **29/761,557**  
 (22) Filed: **Dec. 10, 2020**  
 (51) **LOC (13) Cl.** ..... **30-99**  
 (52) **U.S. Cl.**  
 USPC ..... **D30/158**  
 (58) **Field of Classification Search**  
 USPC ..... D30/158, 199; 119/600, 468, 607-611, 119/627, 633, 663, 601; D28/59, 36, 58, D28/44, 49, 50, 53, 85, 44.1, 51, 63; D8/61, 62, 82, DIG. 7; D24/147, 146, D24/214, 215, 200, 111, 133, 144, 156, D24/186; D4/100-102, 137, 119, 120; 132/73.6, 75.8, 76.4, 73.5, 75.3, 75.6, 132/76.5, 118, 119.1, 75.4, 75.5, 75; 30/26, 29.5, 43, 43.4-43.6, 41.5, 206, 30/133, 276, 29, 277.4, 240, 210, 43.92, 30/392, 167, 329, 169; 15/23, 28, 22.1, 15/101, 65, 104.04, 88, 104.095, 97.1, 15/179; 451/356, 162-164; 452/98; 81/3.42, 177.7, 57.26, 57.11, 58.3; 606/85, 131; 83/698.11, 520; 362/120; 206/368; 392/380, 384; 173/29, 217, 173/216; 310/50; 464/53; 601/70; D15/132; 433/133, 130, 125, 127, 166, 433/126, 132; 279/51, 147; D26/49, 37; D9/723, 529, 530, 548  
 CPC ..... A01K 13/00; A01K 13/001; A45D 29/05; A45D 29/06; A45D 29/11; A45D 29/14; A45D 29/00

See application file for complete search history.

(56) **References Cited**  
 U.S. PATENT DOCUMENTS  
 3,613,696 A \* 10/1971 Paule ..... A45D 29/14  
 132/73.6  
 D305,806 S \* 1/1990 Fujisawa ..... D28/50  
 D319,711 S \* 9/1991 Fujisawa ..... D28/50  
 D347,283 S \* 5/1994 Von Winckler ..... D24/200  
 D368,984 S \* 4/1996 Nakashima ..... D28/53  
 5,525,889 A \* 6/1996 Chan ..... B25B 21/00  
 173/217  
 D376,048 S \* 12/1996 Gerhart ..... D4/114  
 D380,658 S \* 7/1997 Bruno ..... D24/146  
 D391,820 S \* 3/1998 Bunyea ..... D8/61  
 D418,729 S \* 1/2000 Snider ..... D8/61  
 D423,897 S \* 5/2000 Cooper ..... D8/61  
 6,067,714 A \* 5/2000 Taylor ..... B26B 19/148  
 30/29.5  
 D434,181 S \* 11/2000 Watanabe ..... D28/9  
 D458,679 S \* 6/2002 Thompson ..... D24/133

(Continued)

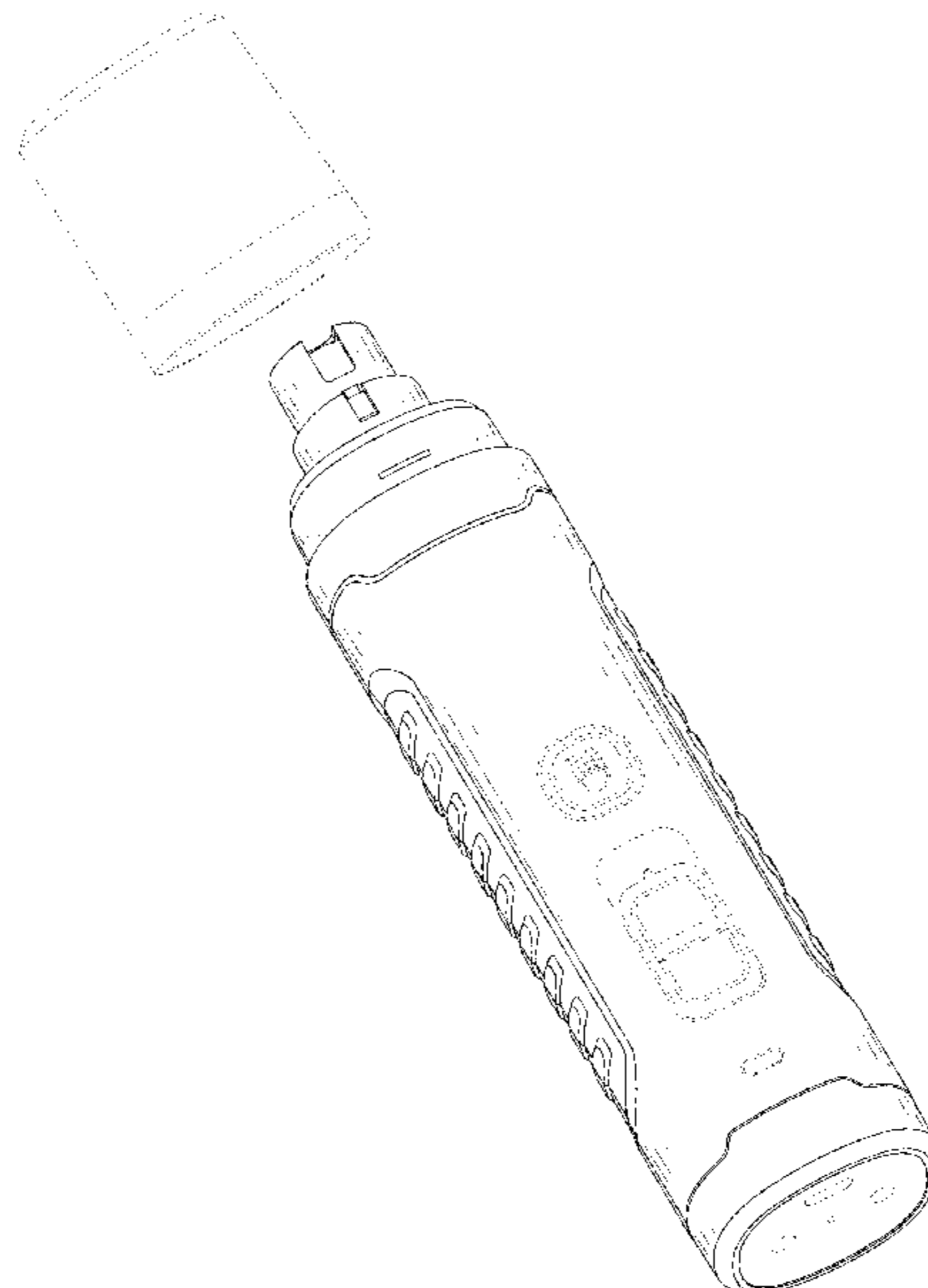
Primary Examiner — Susan Moon Lee

(57) **CLAIM**  
 The ornamental design for a pet nail grinder, as shown and described.

**DESCRIPTION**

FIG. 1 is a perspective view of a pet nail grinder showing my new design;  
 FIG. 2 is a front view thereof;  
 FIG. 3 is a back view thereof;  
 FIG. 4 is a left side view thereof;  
 FIG. 5 is a right side view thereof;  
 FIG. 6 is a top view thereof;  
 FIG. 7 is a bottom view thereof; and,  
 FIG. 8 is a perspective view of another state of the pet nail grinder thereof.  
 The broken lines shown in the drawings depict portions of the pet nail grinder in which the design is embodied that form no part of the claimed design.

**1 Claim, 8 Drawing Sheets**



(56)

**References Cited**

U.S. PATENT DOCUMENTS

D470,374 S *	2/2003	Murray	D8/61
7,152,323 B1 *	12/2006	Lin	B26B 19/148 30/29.5
D551,044 S *	9/2007	Mochida	D8/61
D565,916 S *	4/2008	Chen	D8/61
D575,003 S *	8/2008	Lineberger	D28/58
D585,987 S *	2/2009	Aparici	D24/133
D619,707 S *	7/2010	East	A61B 17/4241 D24/133
8,011,521 B2 *	9/2011	Clark	B65D 23/102 215/11.1
D711,714 S *	8/2014	Sawaya	D8/61
D736,999 S *	8/2015	Yiu	D28/58
D748,784 S *	2/2016	Weitkamp	D24/133
D756,034 S *	5/2016	Yiu	D28/58
D768,334 S *	10/2016	Langberg	D28/58
D768,931 S *	10/2016	Langberg	D28/58
D768,932 S *	10/2016	Langberg	D28/58
D769,529 S *	10/2016	Langberg	D28/58
D778,433 S *	2/2017	Li	D24/111
D786,643 S *	5/2017	Valentini	D8/62
D788,980 S *	6/2017	Yiu	D28/58
D788,982 S *	6/2017	Yiu	D28/58
D788,983 S *	6/2017	Yiu	D28/62
D842,987 S *	3/2019	Theobald	D24/133
D843,800 S *	3/2019	Jiang	D8/61
D847,333 S *	4/2019	Theobald	D24/133
D850,638 S *	6/2019	Cha	D24/200
D854,257 S	7/2019	Hollinger	
D860,470 S *	9/2019	Li	D24/214
D866,336 S *	11/2019	Ramsuer	D9/516
D876,730 S	2/2020	He	
D895,210 S	9/2020	Wu	
D907,313 S *	1/2021	Tu	D30/158
D909,689 S *	2/2021	Xu	D30/158
D910,937 S *	2/2021	Wei	D30/158
2003/0102002 A1 *	6/2003	Cho	A45D 29/05 132/73.6
2004/0074025 A1 *	4/2004	Blaustein	B25F 3/00 15/23
2005/0169693 A1 *	8/2005	Serio	B05C 17/0357 401/219
2006/0150992 A1 *	7/2006	Nevakshonoff	B24B 23/02 132/73.6
2006/0289025 A1 *	12/2006	Nevakshonoff	B24B 23/02 132/73.6
2008/0255586 A1 *	10/2008	Greenberg	A61B 17/54 606/131
2011/0226270 A1 *	9/2011	Rivera	A45D 29/05 132/73.6
2015/0150352 A1 *	6/2015	Yiu	A61B 17/54 132/75.8
2015/0150353 A1 *	6/2015	Yiu	A45D 29/14 132/75.6
2016/0029768 A1 *	2/2016	Dai	A45D 29/02 30/27

\* cited by examiner

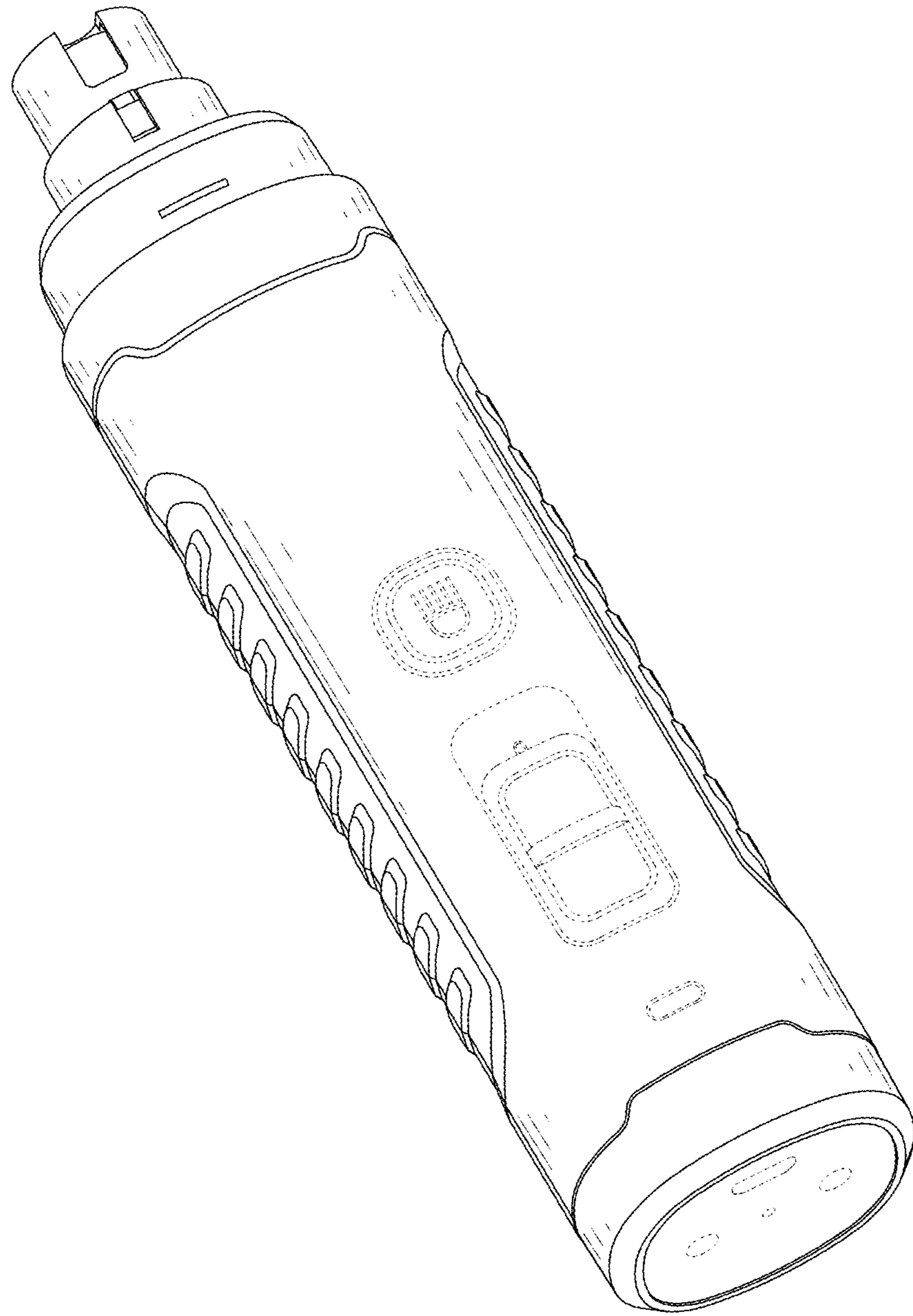


FIG. 1

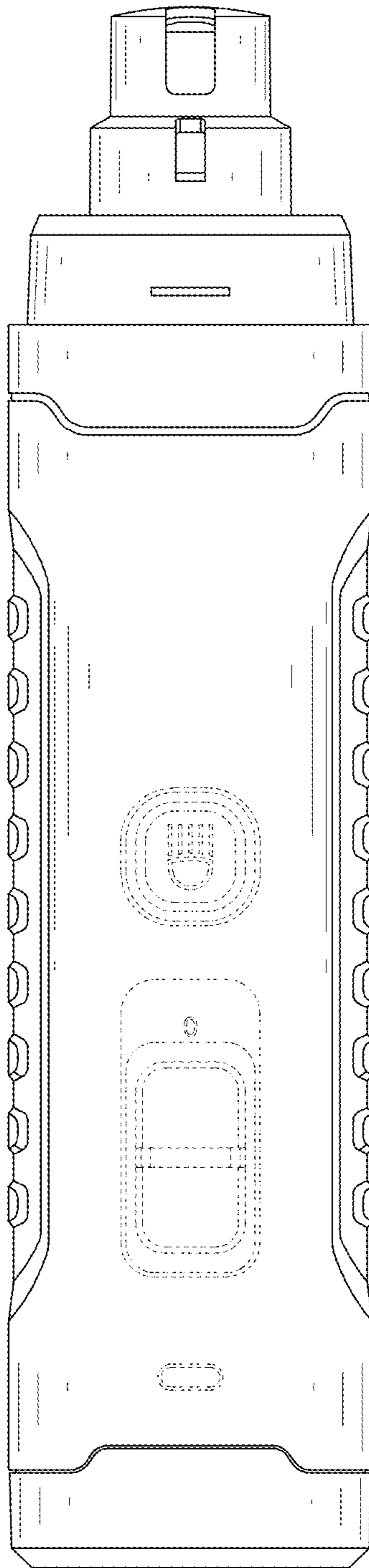


FIG. 2

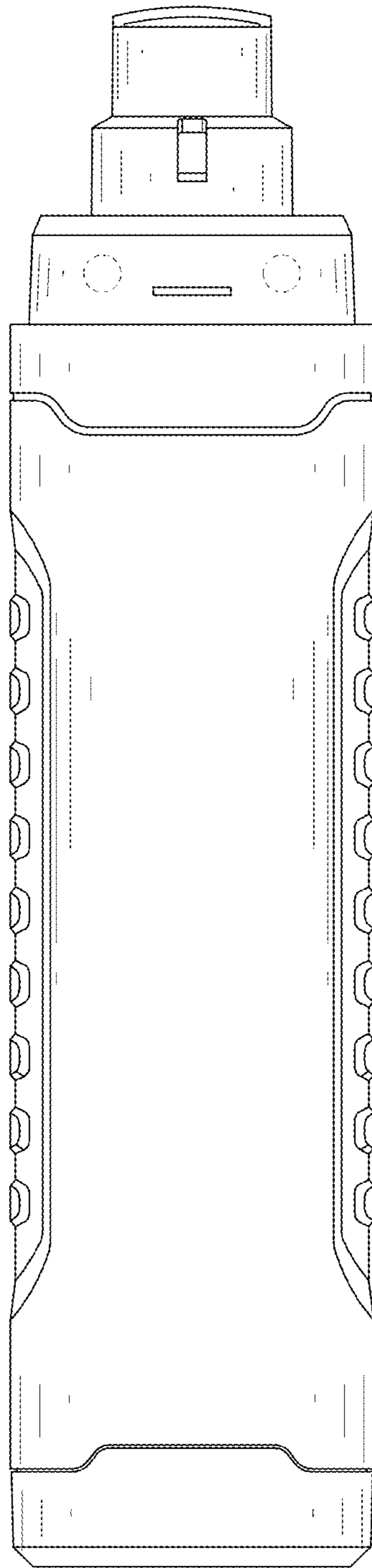


FIG. 3

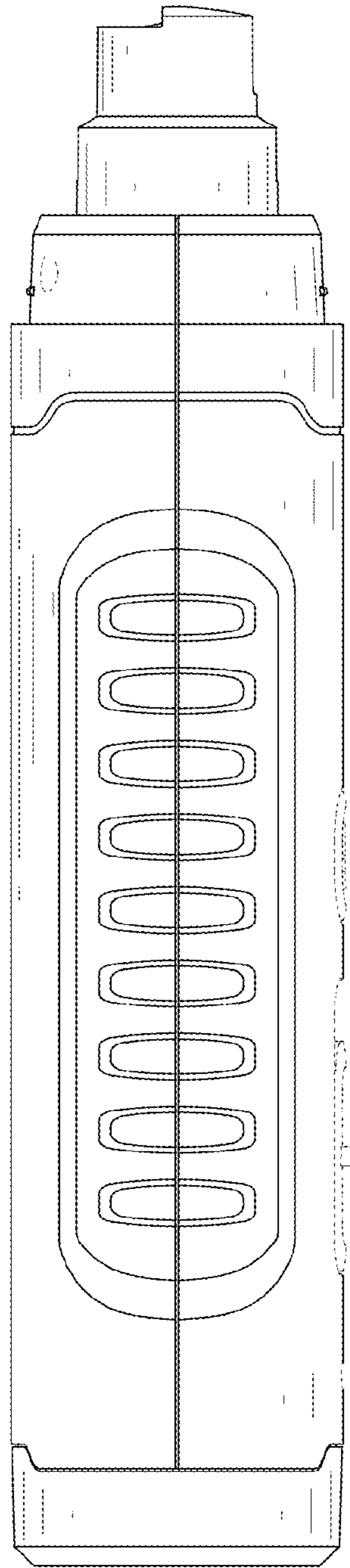


FIG. 4

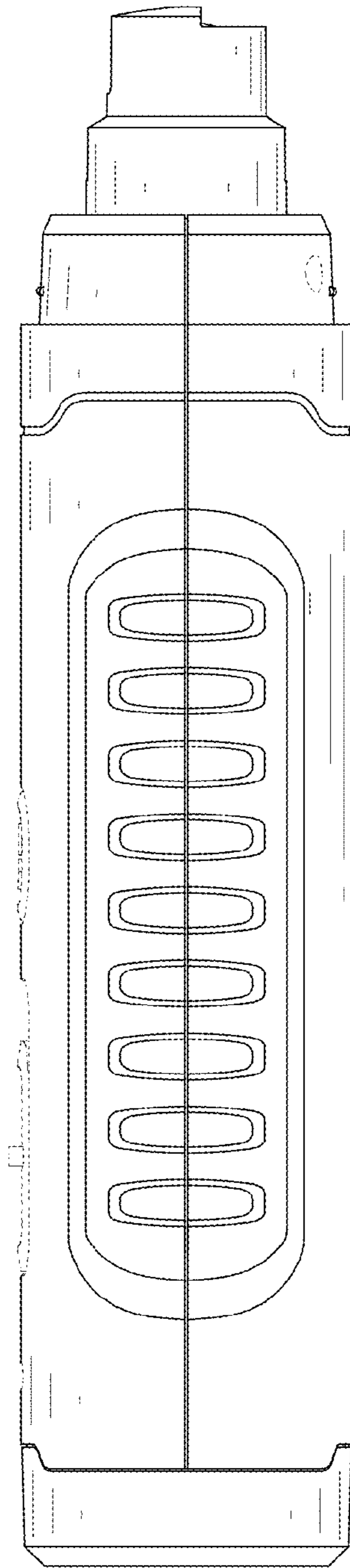


FIG. 5

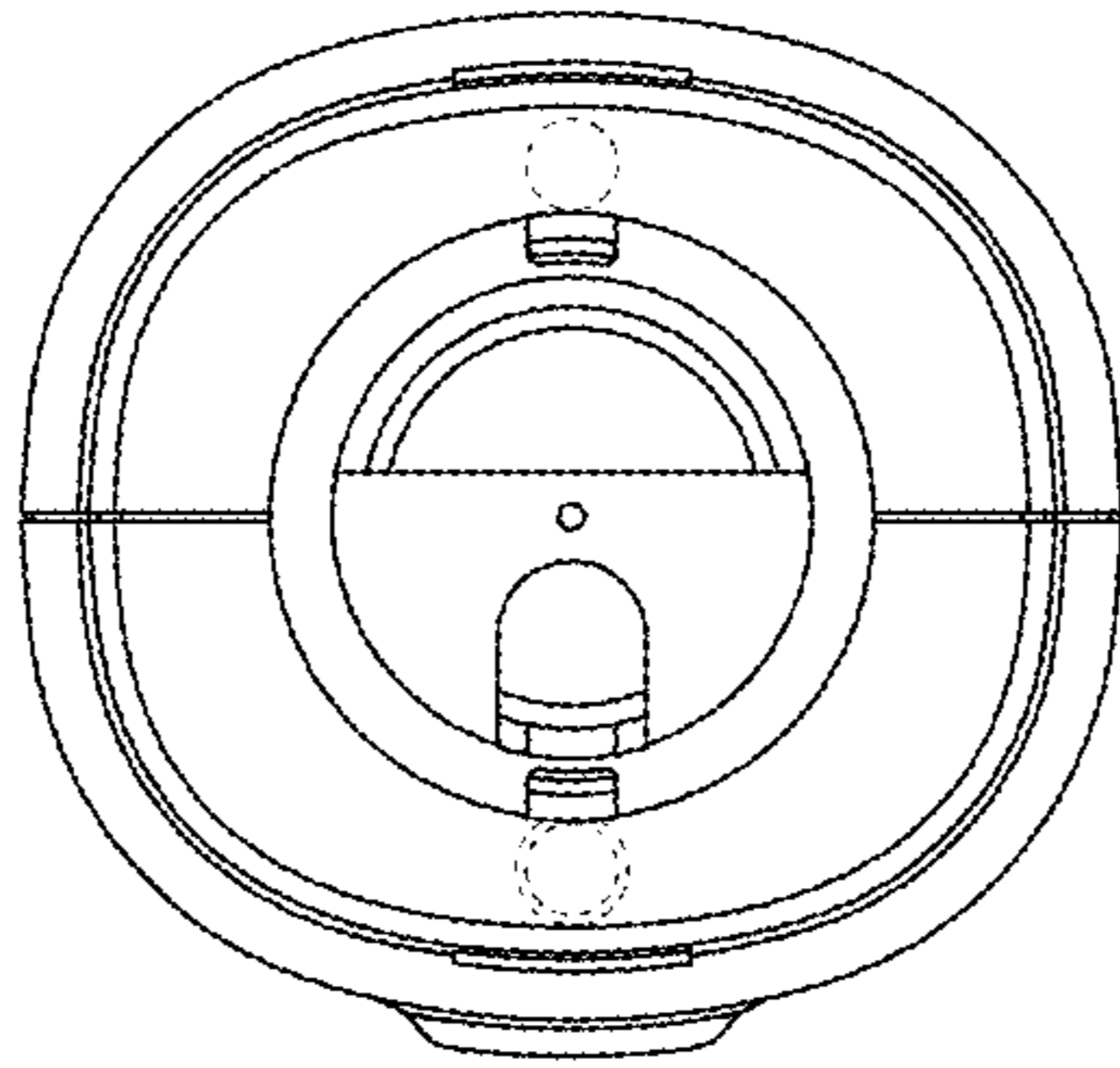


FIG. 6



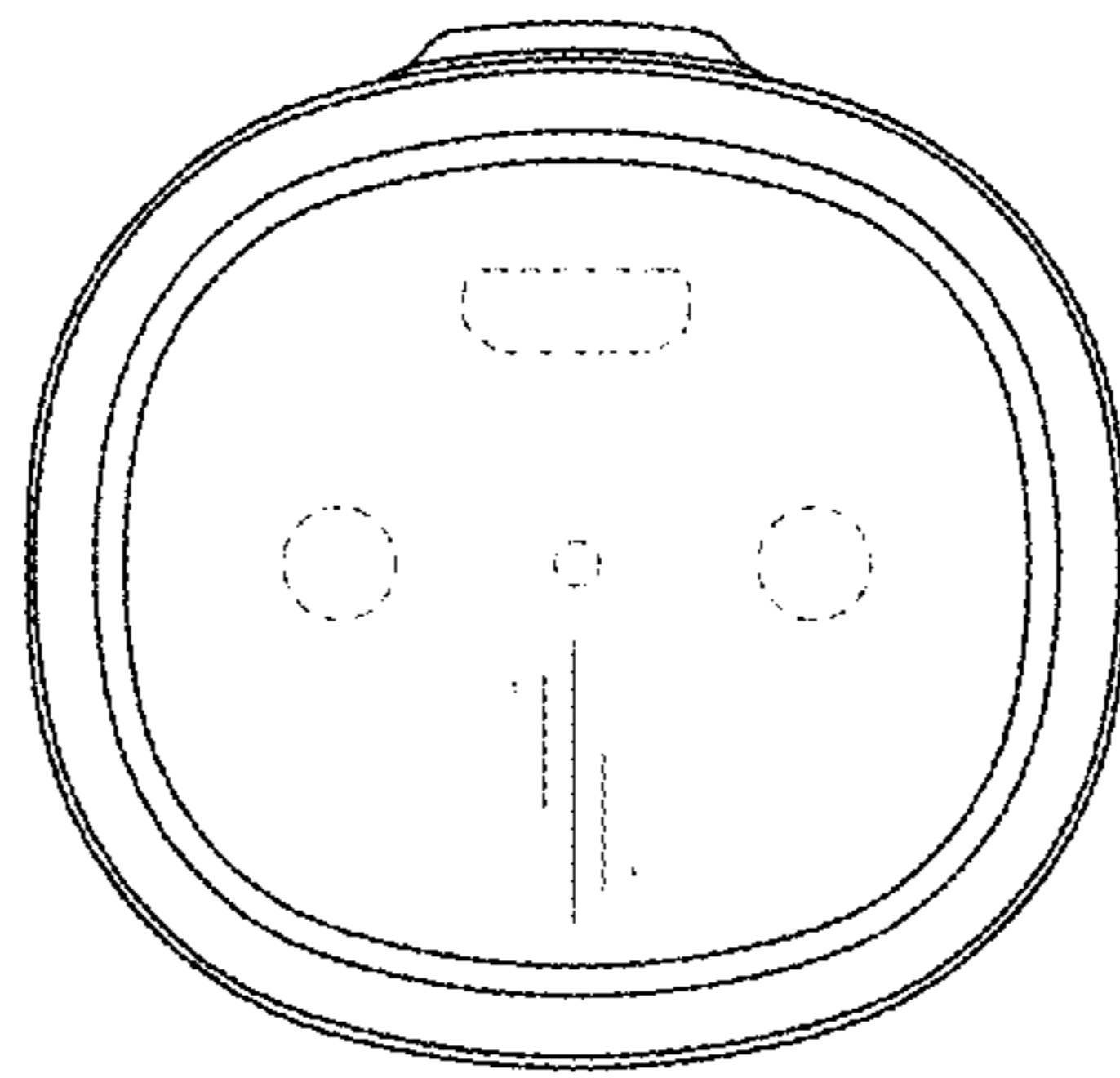


FIG. 7

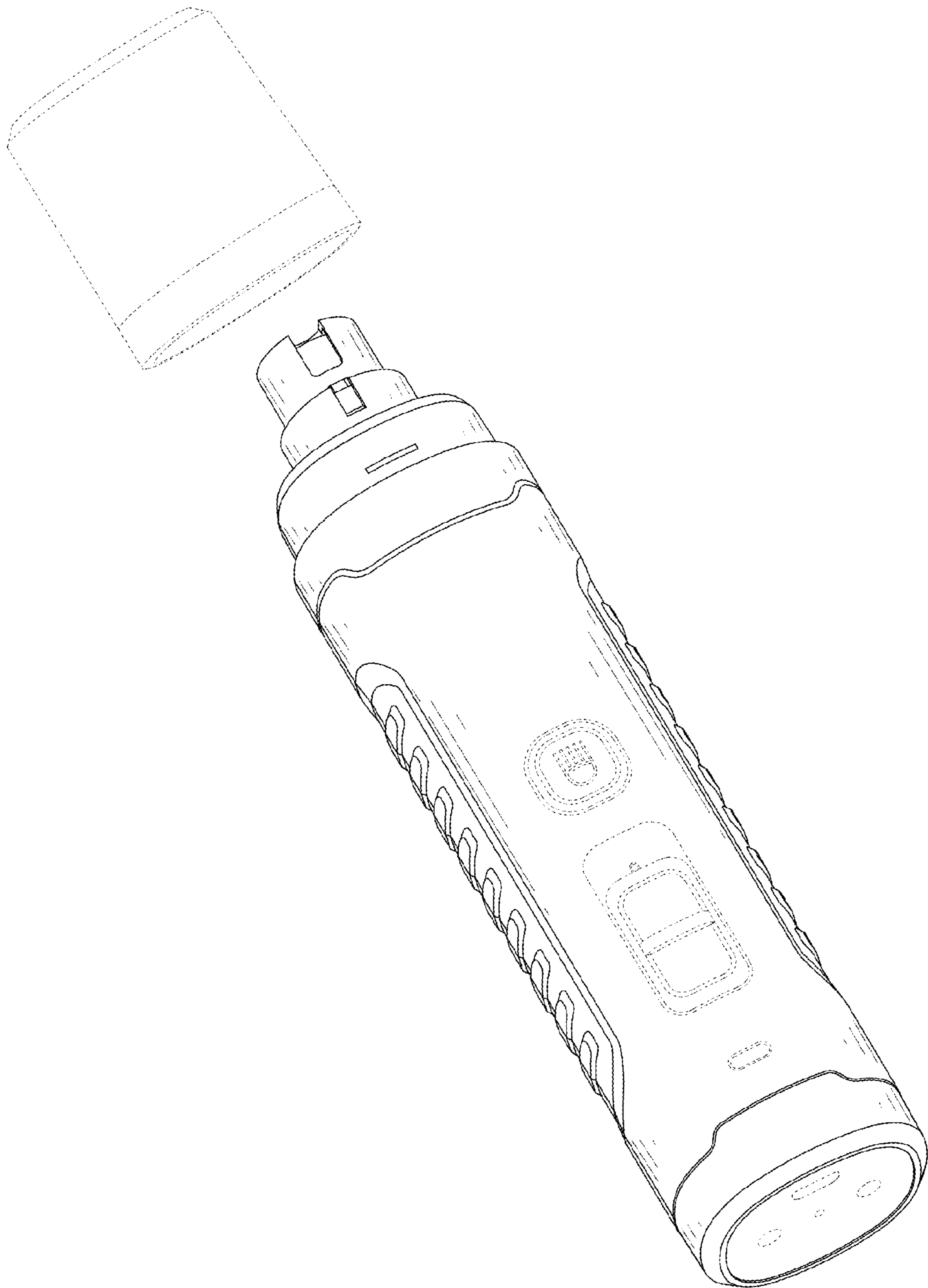


FIG. 8