



US00D924495S

(12) **United States Design Patent**  
**Hao**

(10) **Patent No.:** **US D924,495 S**  
(45) **Date of Patent:** **\*\* Jul. 6, 2021**

- (54) **BANDAGE FOR HORSES**
- (71) Applicant: **R & G EQUIPMENT NV**, Malle (BE)
- (72) Inventor: **Tsou Meng Hao**, Malle (BE)
- (73) Assignee: **R & G EQUIPMENT NV**
- (\*\*) Term: **15 Years**
- (21) Appl. No.: **29/679,336**

- (22) Filed: **Feb. 5, 2019**
- (51) **LOC (13) Cl.** ..... **30-01**
- (52) **U.S. Cl.**  
USPC ..... **D30/146**
- (58) **Field of Classification Search**  
USPC ..... D24/189, 190; D30/146  
CPC .... A01K 13/007; A01K 13/006; A01K 15/02;  
A01K 27/006; A61D 9/00; A61D 99/00;  
A61F 2005/0167; A61F 5/0111; A61F  
7/02; A61F 13/062; A61F 2005/0172;  
A61F 5/0102; A61F 2005/0179; A61F  
13/066; A61F 2007/0001; A61F  
2007/0029; A61F 2007/0039; A61F  
2007/0054; A61F 2007/023; A61F  
2007/0231

See application file for complete search history.

(56) **References Cited**

**U.S. PATENT DOCUMENTS**

- 3,880,161 A \* 4/1975 Fossel ..... A61F 13/0273  
602/60
- 4,538,602 A \* 9/1985 Shapiro ..... A61D 9/00  
128/882
- D329,108 S \* 9/1992 Boyd ..... D24/189
- D461,903 S \* 8/2002 Garcia ..... D24/206
- D581,605 S \* 11/2008 Schmucker ..... D30/146

- D685,955 S \* 7/2013 Green ..... D30/146
- D698,104 S \* 1/2014 Thielscher ..... A61D 9/00  
D30/144
- 2017/0000595 A1\* 1/2017 Chen ..... A61D 9/00

**OTHER PUBLICATIONS**

Weaver Leather POlo Leg Wraps, 4 pack, released on Amazon Mar. 19, 2014, Oct. 10, 2020. Available online at URL: [https://www.amazon.com/Weaver-Leather-Polo-Leg-Wraps/dp/B00J4KC370/ref=sr\\_1\\_2?dchild=1&keywords=polo+wrap&qid=1602354010&sr=8-2](https://www.amazon.com/Weaver-Leather-Polo-Leg-Wraps/dp/B00J4KC370/ref=sr_1_2?dchild=1&keywords=polo+wrap&qid=1602354010&sr=8-2).

\* cited by examiner

*Primary Examiner* — Jennifer L Watkins

(74) *Attorney, Agent, or Firm* — Fresh IP PLC; Clifford D. Hyra; Aubrey Y. Chen

(57) **CLAIM**

The ornamental design for a bandage for horses, as shown and described.

**DESCRIPTION**

FIG. 1 is a front, top, left side perspective view of a bandage for horses showing the new design.

FIG. 2 is a left side view thereof;

FIG. 3 is right side view thereof;

FIG. 4 is a rear view thereof;

FIG. 5 is a front view thereof;

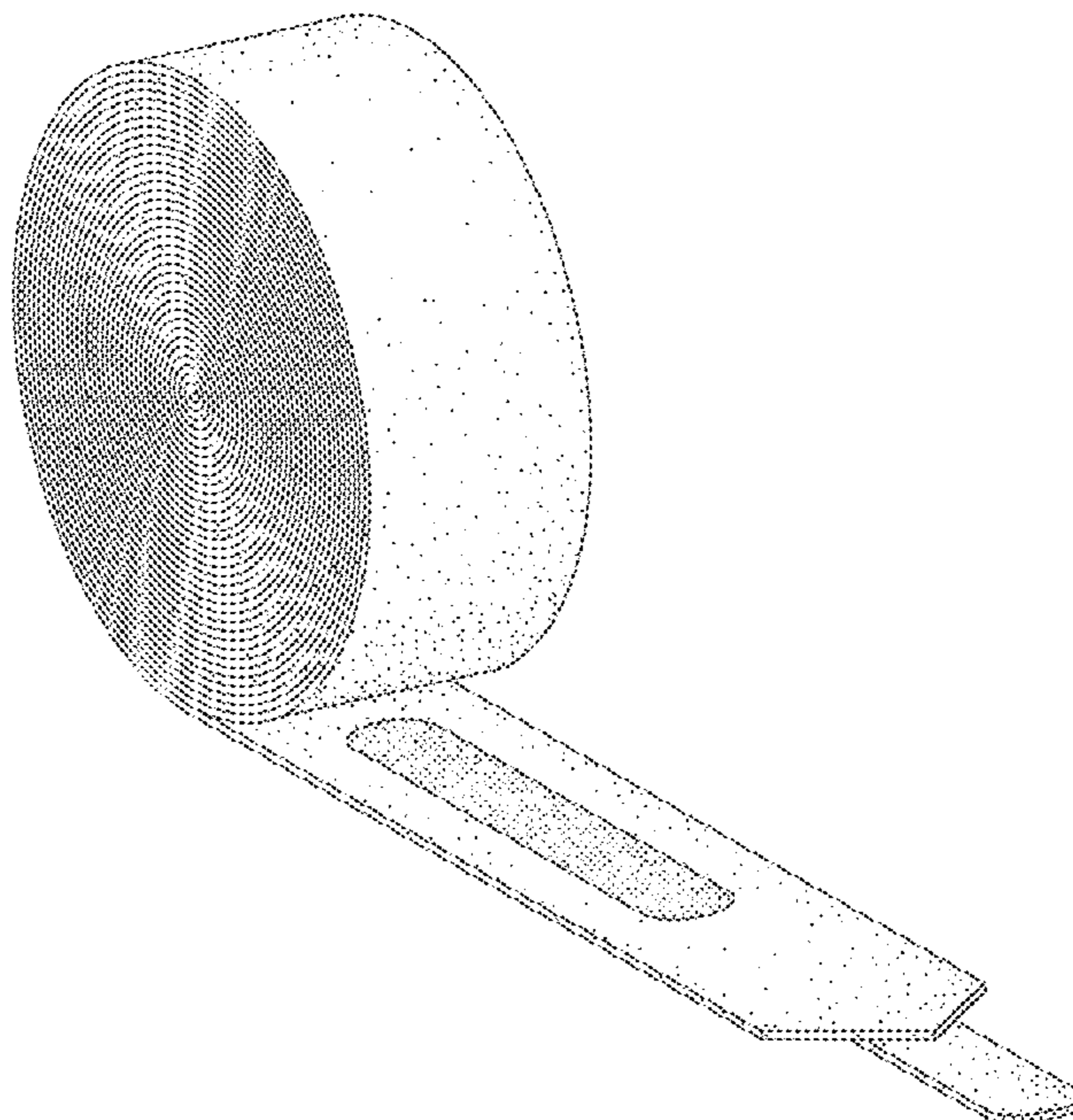
FIG. 6 is a top view thereof;

FIG. 7 is a bottom view thereof showing stitching; and,

FIG. 8 is a view of the bandage for horses as applied to a horse's leg.

The broken lines in FIG. 7 define stitching which forms a part of the claimed design. The broken lines in FIG. 8 define environmental matter which forms no part of the claimed design.

**1 Claim, 7 Drawing Sheets**



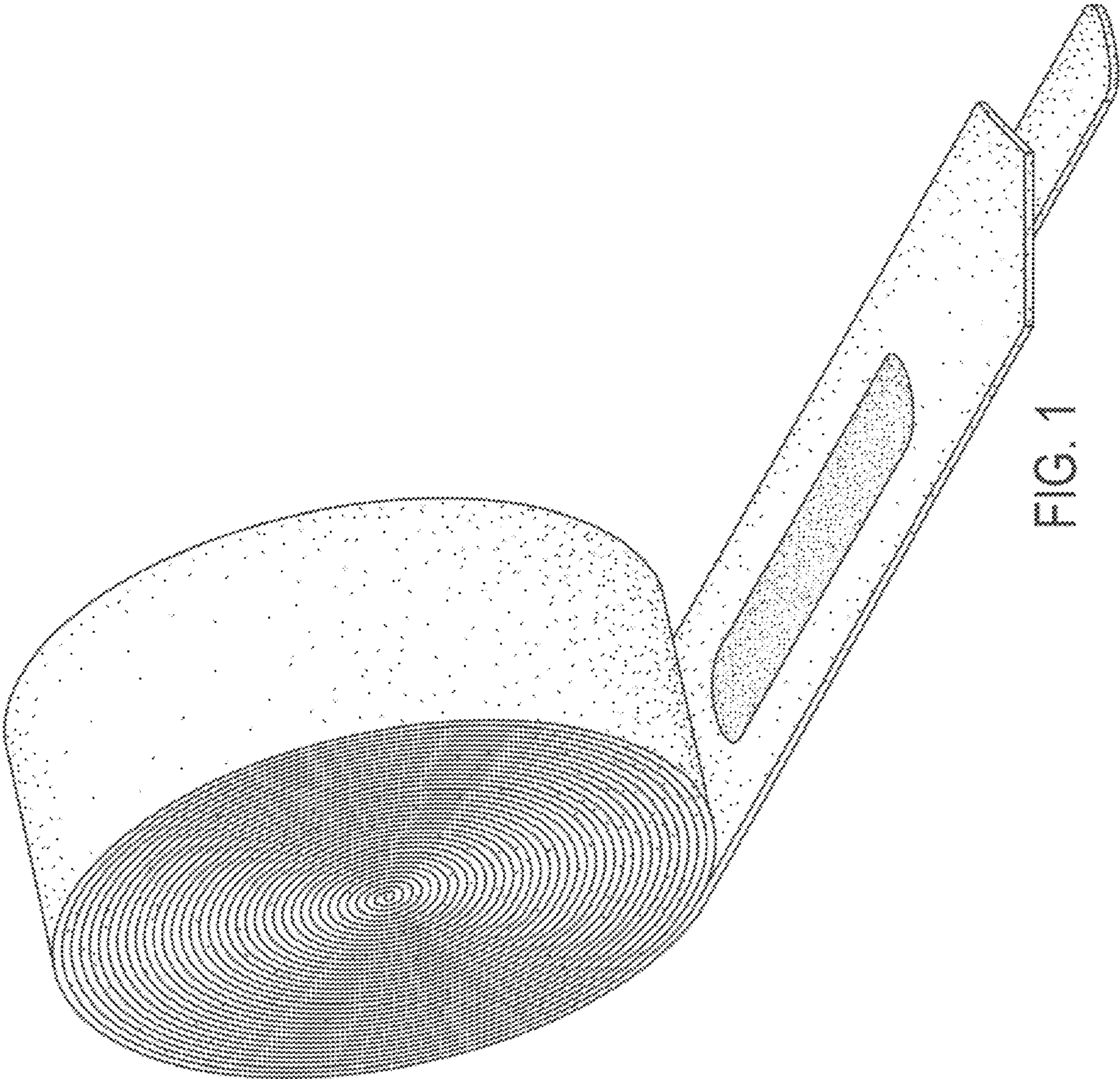


FIG. 1

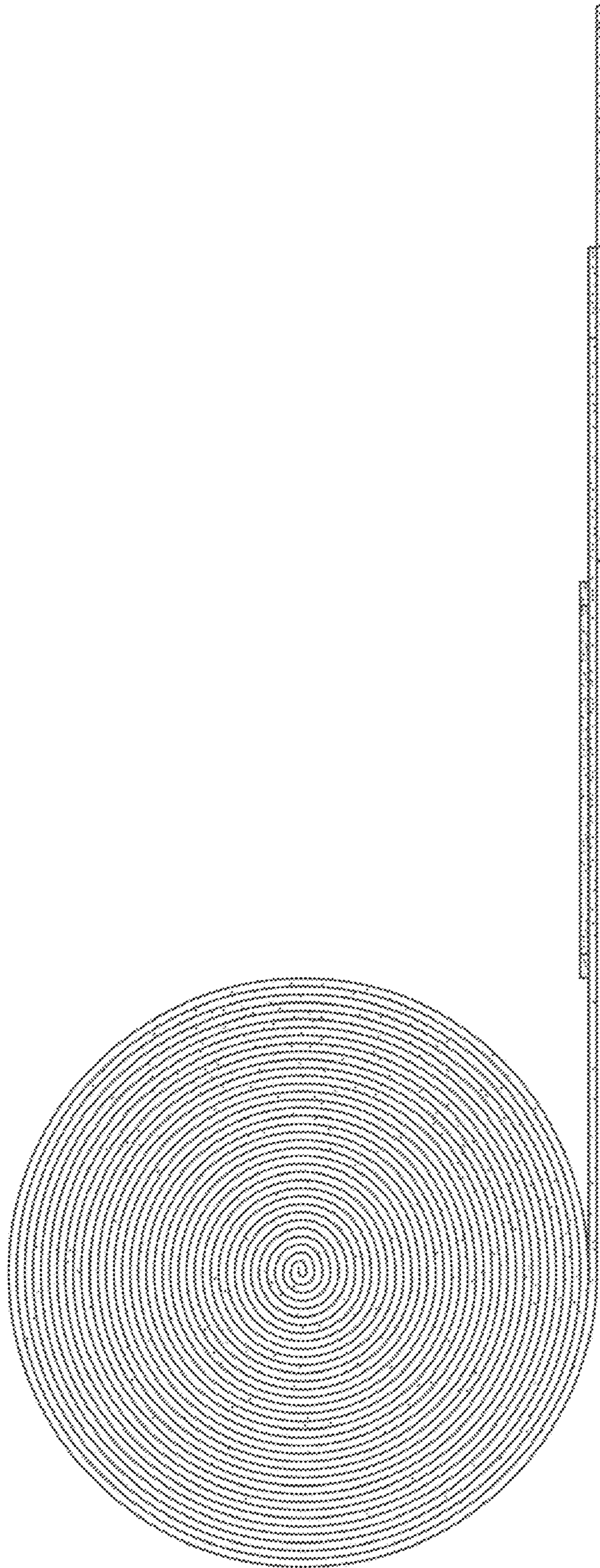


FIG. 2

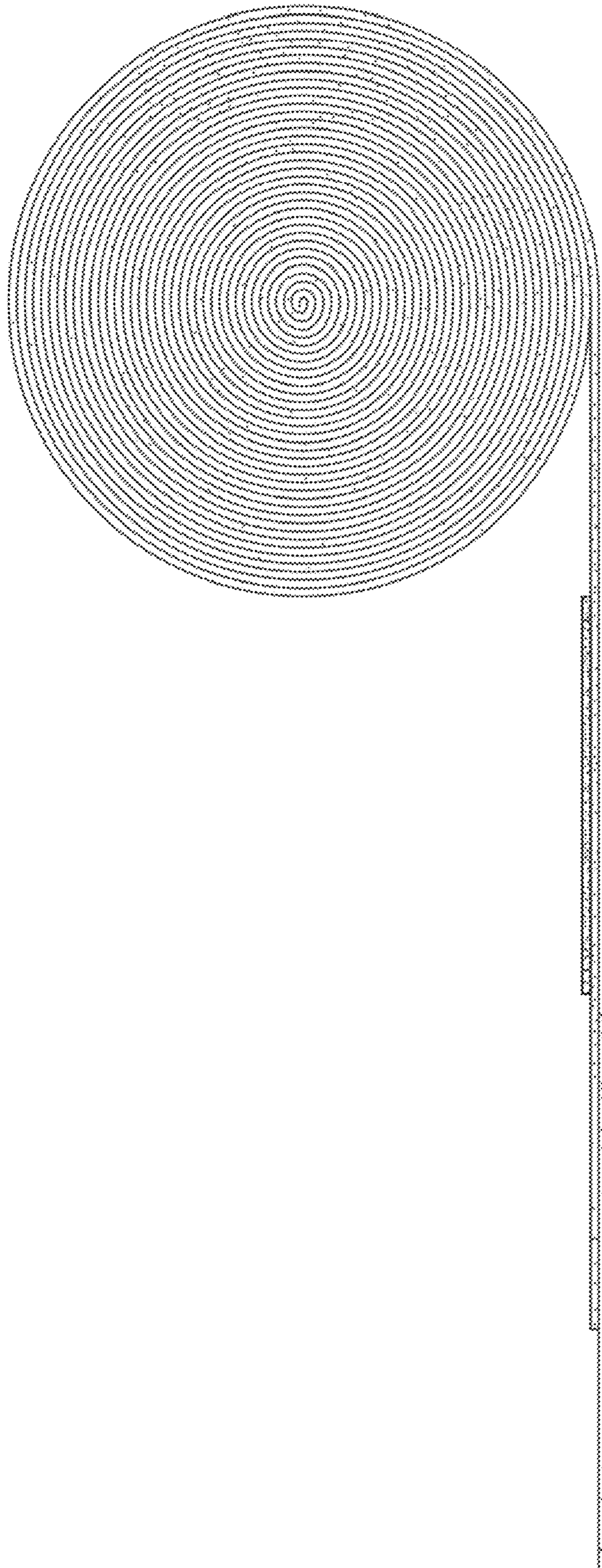


FIG. 3

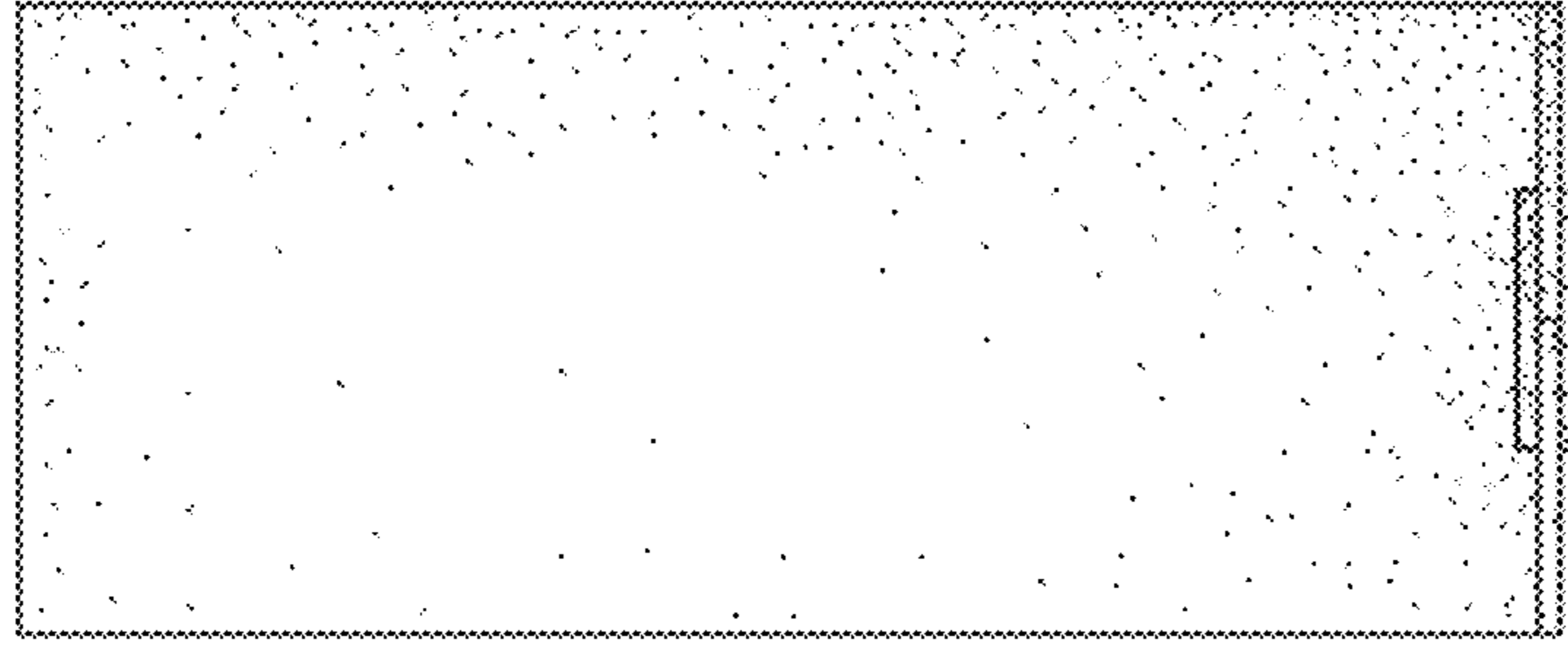


FIG. 5

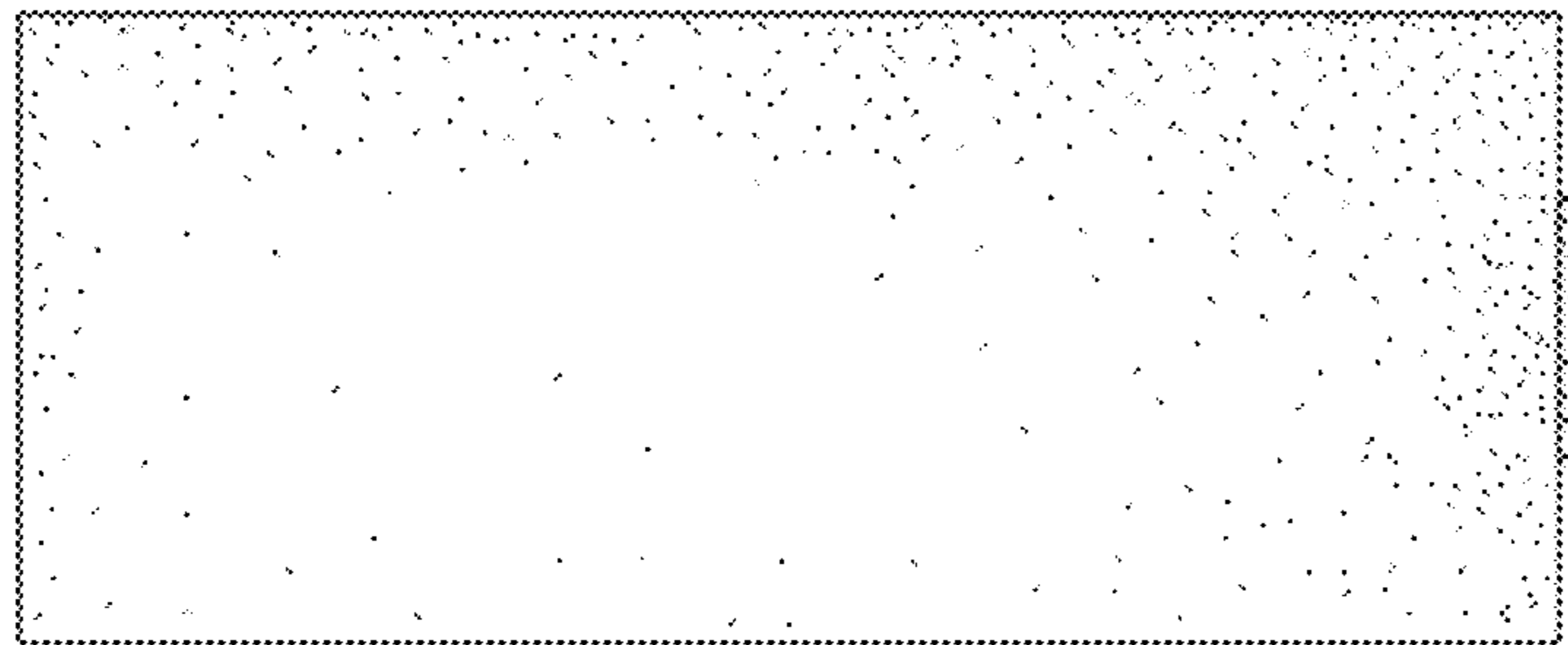


FIG. 4

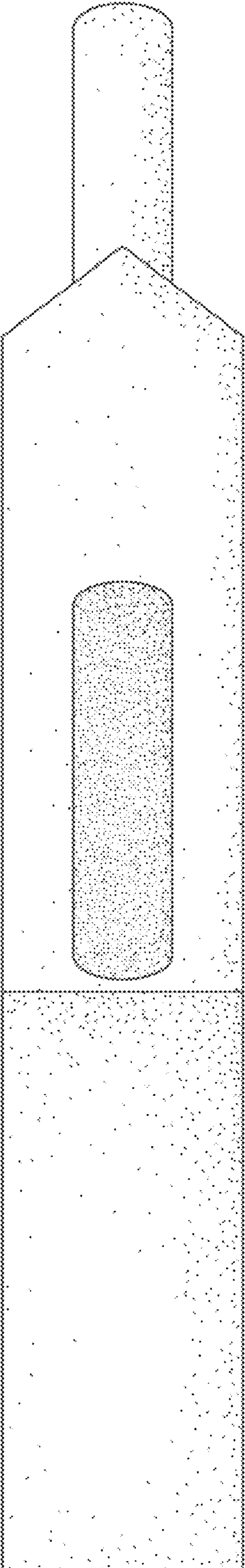


FIG. 6

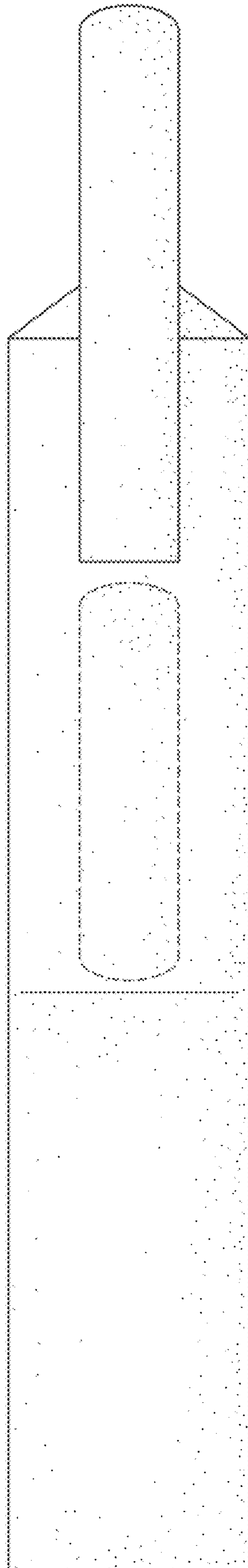


FIG. 7

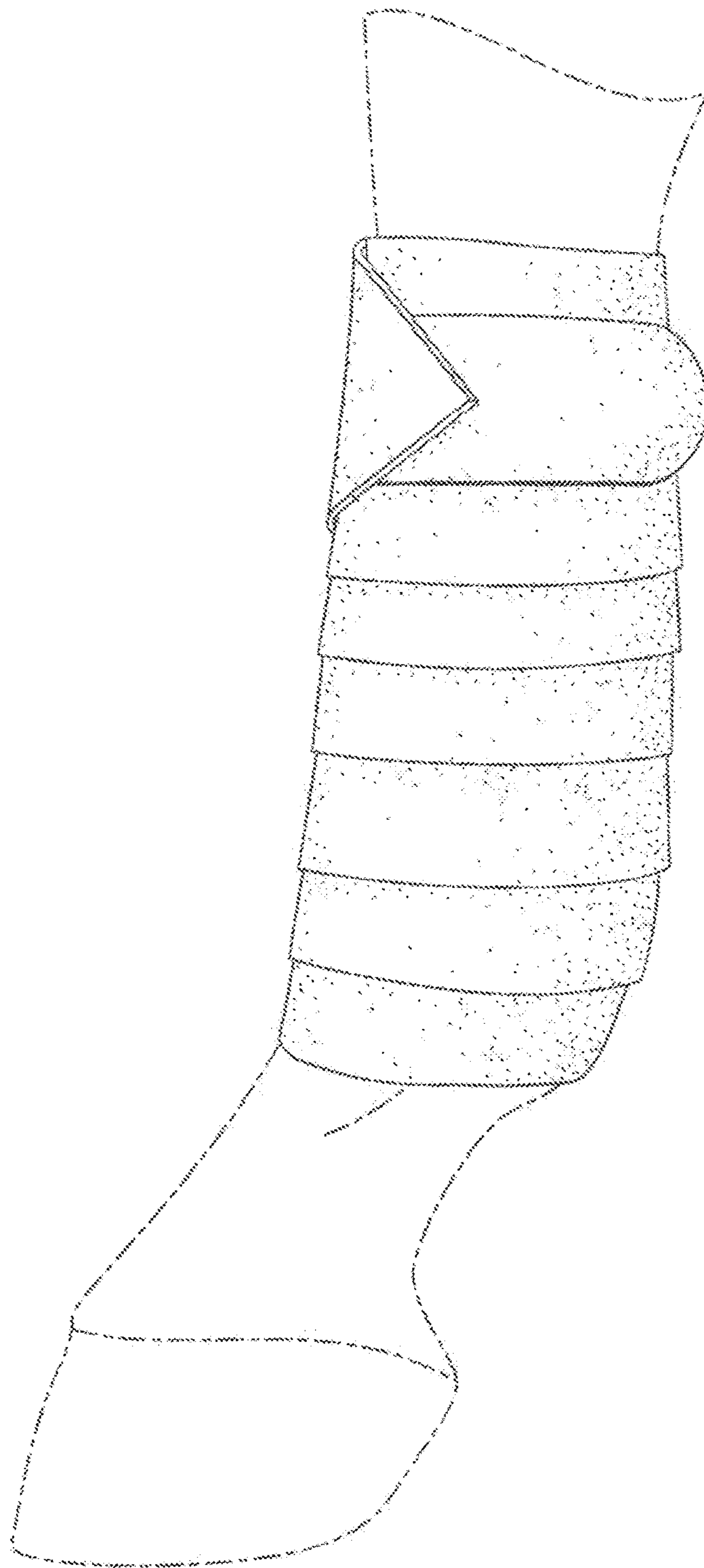


FIG. 8