



US00D924494S

(12) **United States Design Patent**
Wu

(10) **Patent No.:** **US D924,494 S**

(45) **Date of Patent:** **** Jul. 6, 2021**

(54) **SADDLE RACK**

(71) Applicant: **Teng-Shiuan Wu**, Changhua (TW)

(72) Inventor: **Teng-Shiuan Wu**, Changhua (TW)

(**) Term: **15 Years**

(21) Appl. No.: **29/691,873**

(22) Filed: **May 20, 2019**

(30) **Foreign Application Priority Data**

Nov. 22, 2018 (TW) 107306851

(51) **LOC (13) Cl.** **30-04**

(52) **U.S. Cl.**
USPC **D30/143**

(58) **Field of Classification Search**
USPC D30/134-143
CPC B68C 1/002
See application file for complete search history.

(56) **References Cited**

U.S. PATENT DOCUMENTS

5,615,783 A * 4/1997 Warnken B68C 1/002
211/104
D522,186 S * 5/2006 Taylor D30/143

D625,055 S * 10/2010 Oliver B68B 9/00
D30/143

D835,855 S * 12/2018 Geselle D30/143
2017/0341924 A1 * 11/2017 DeWitt A47B 81/00
2020/0385259 A1 * 12/2020 Robles B68C 1/002

* cited by examiner

Primary Examiner — Jennifer L Watkins

(74) *Attorney, Agent, or Firm* — Che-Yang Chen; Law
Office of Michael Chen

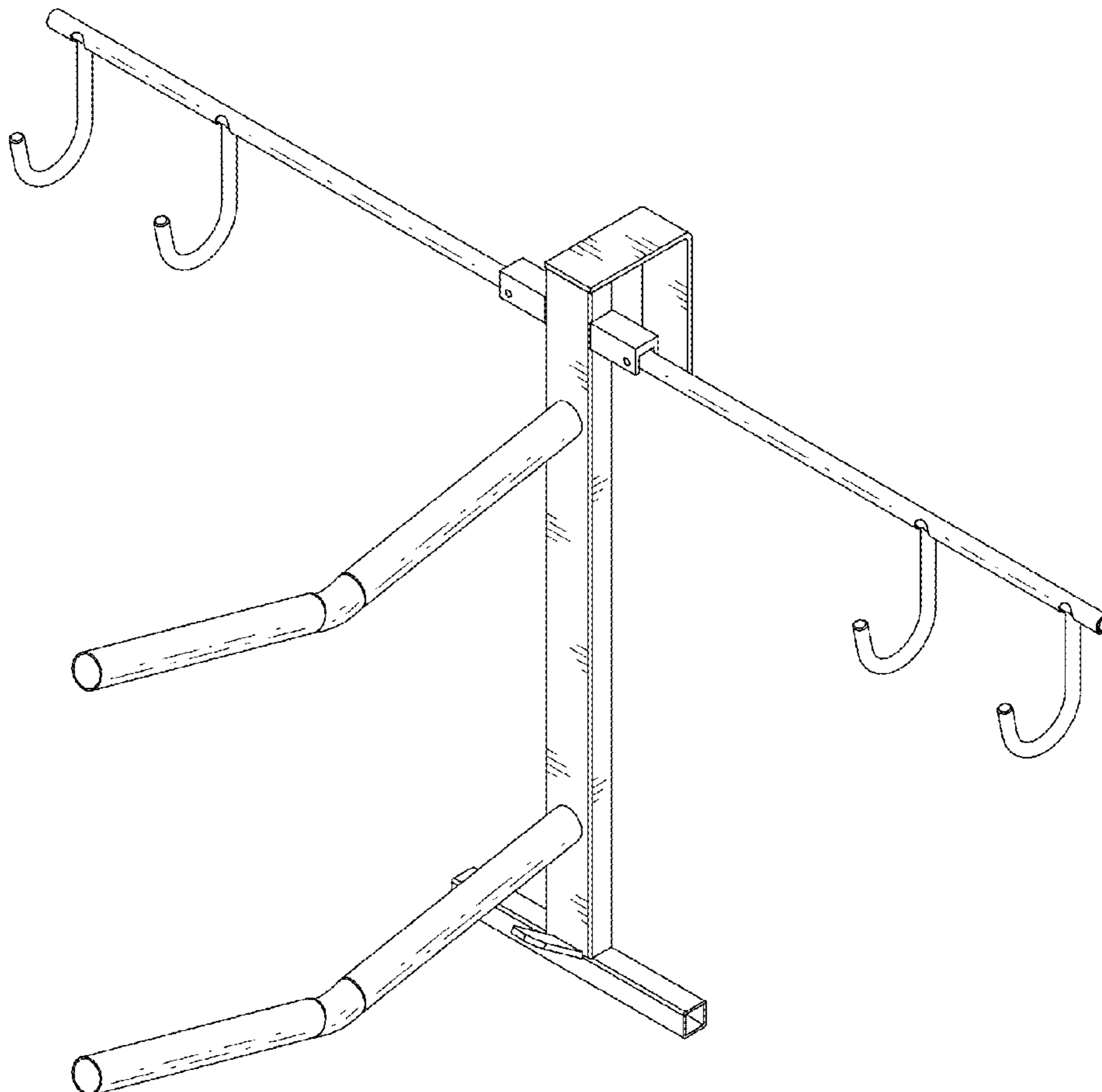
(57) **CLAIM**

The ornamental design for a saddle rack, as shown and described.

DESCRIPTION

FIG. 1 is a perspective view of a saddle rack showing my new design;
FIG. 2 is a front elevational view thereof;
FIG. 3 is a rear elevational view thereof;
FIG. 4 is a left side elevational view thereof;
FIG. 5 is a right side elevational view thereof;
FIG. 6 is a top plan view thereof; and,
FIG. 7 is a bottom plan view thereof.

1 Claim, 4 Drawing Sheets



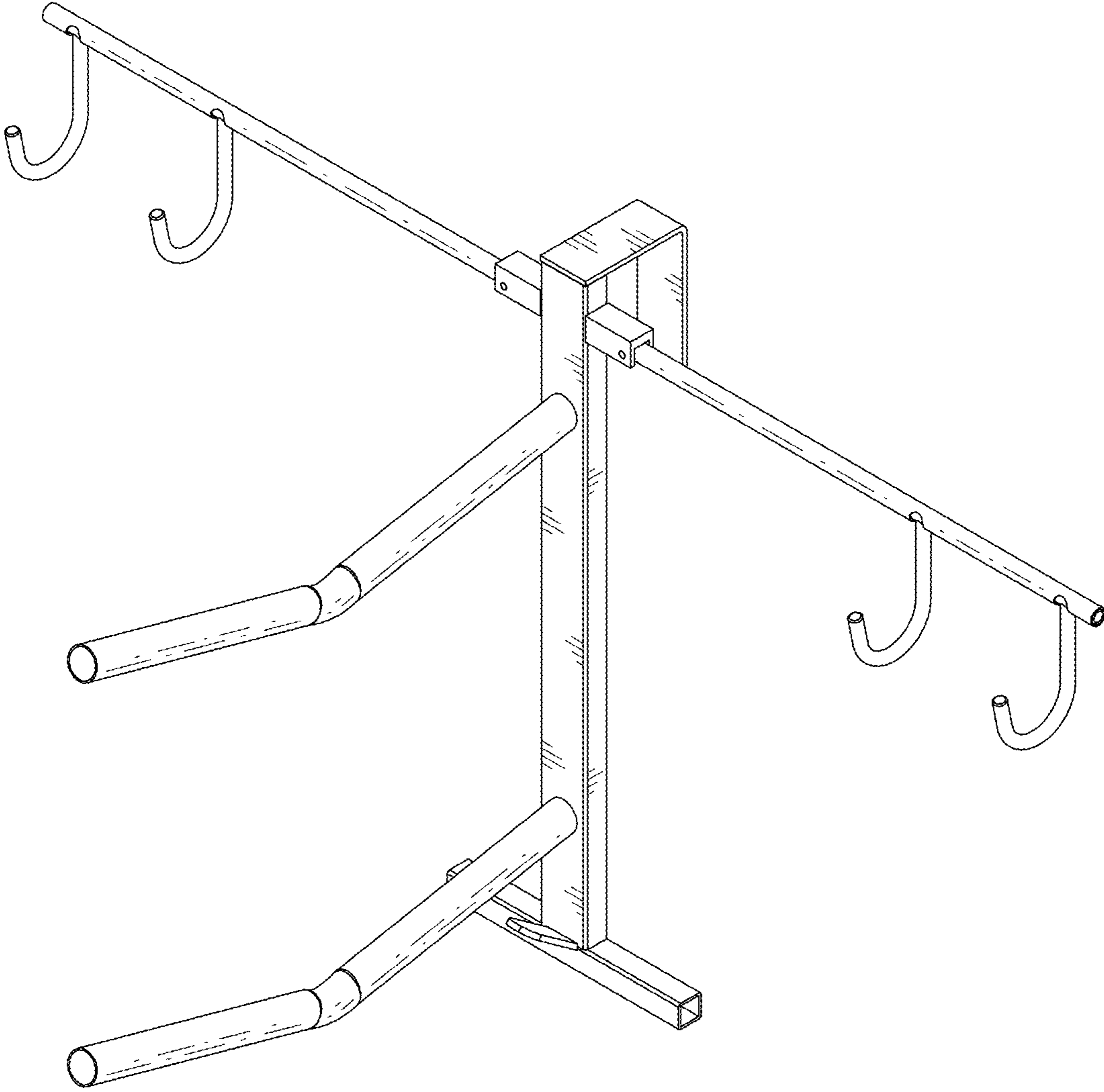


FIG. 1

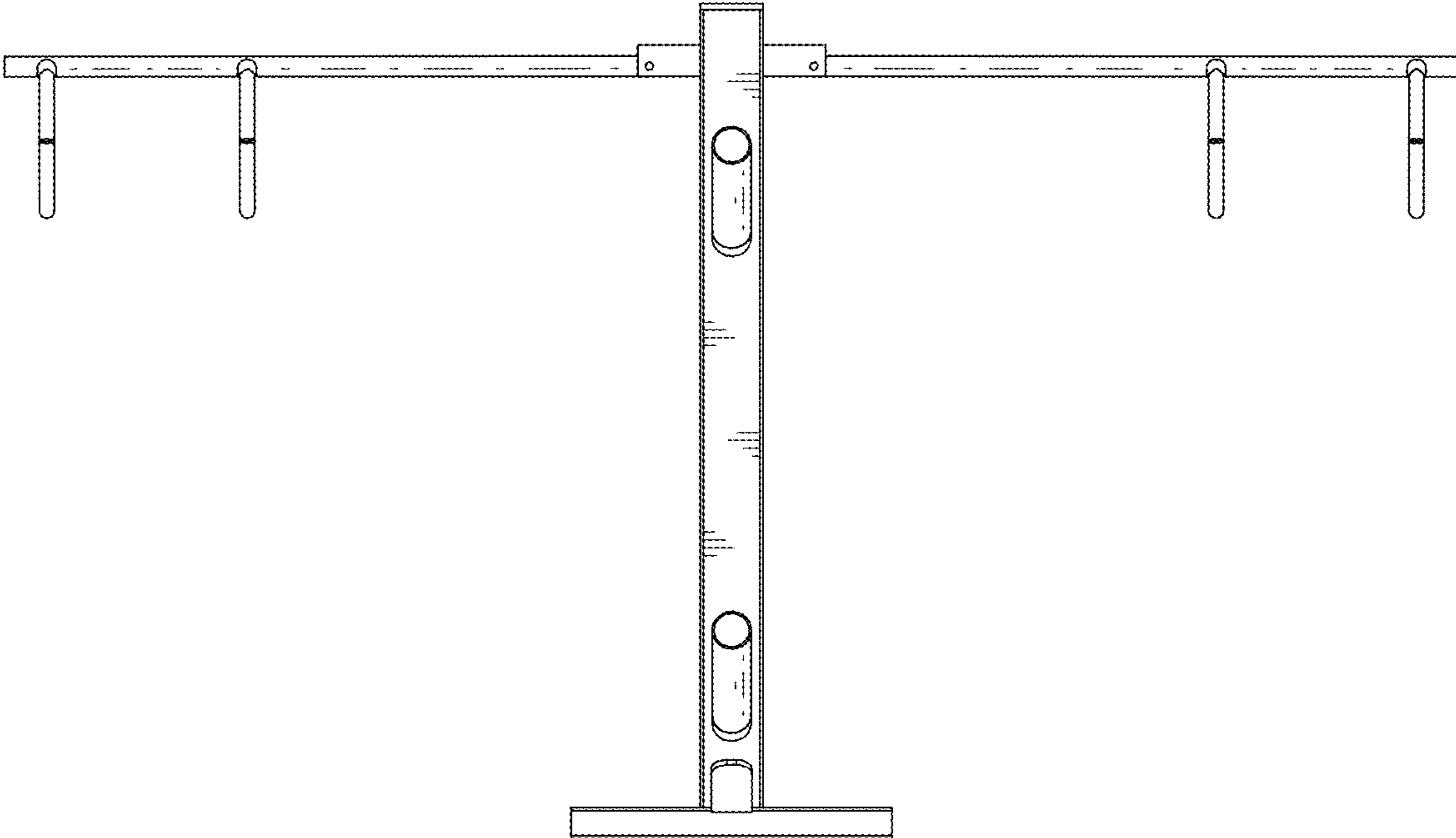


FIG.2

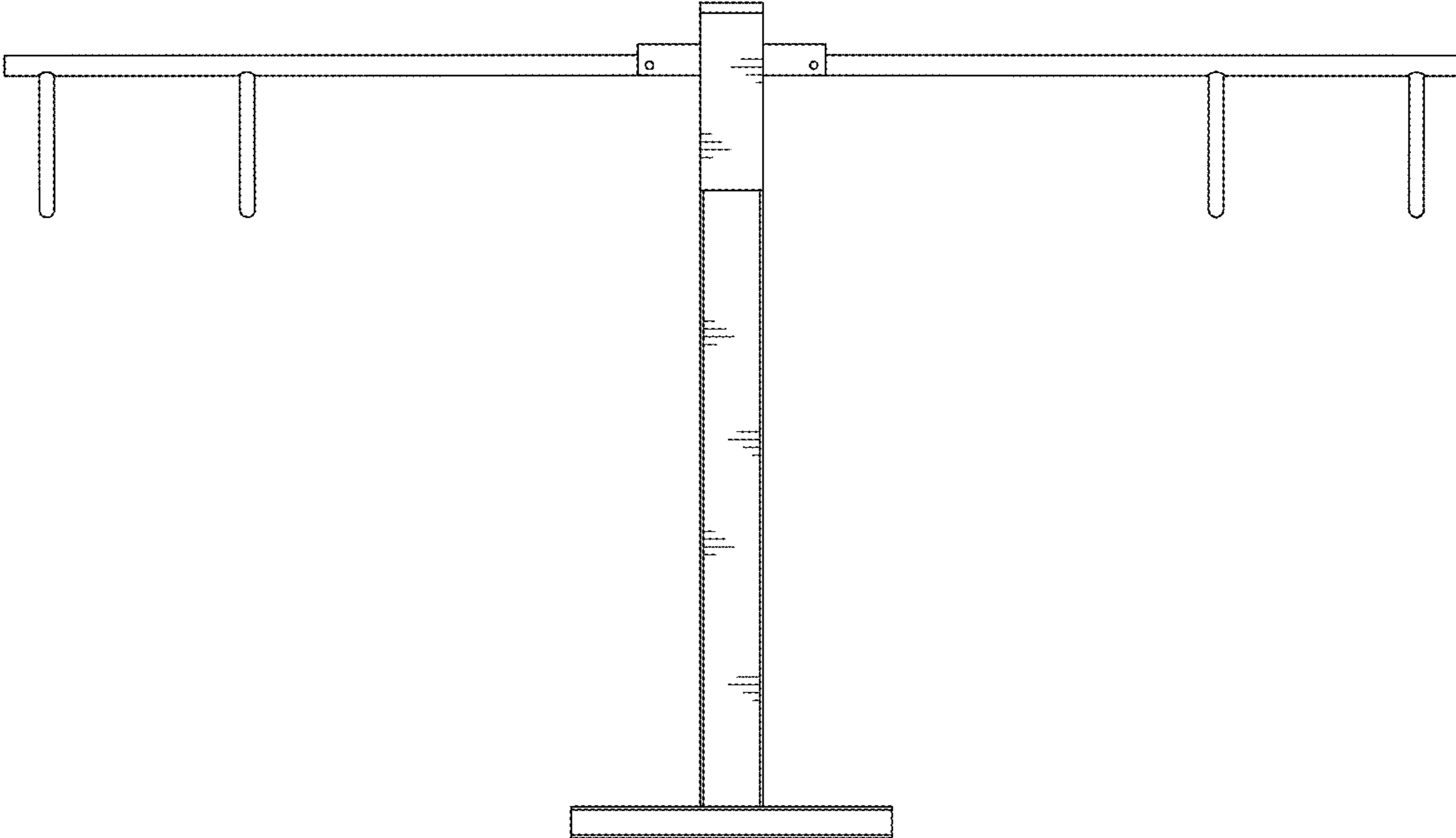


FIG.3

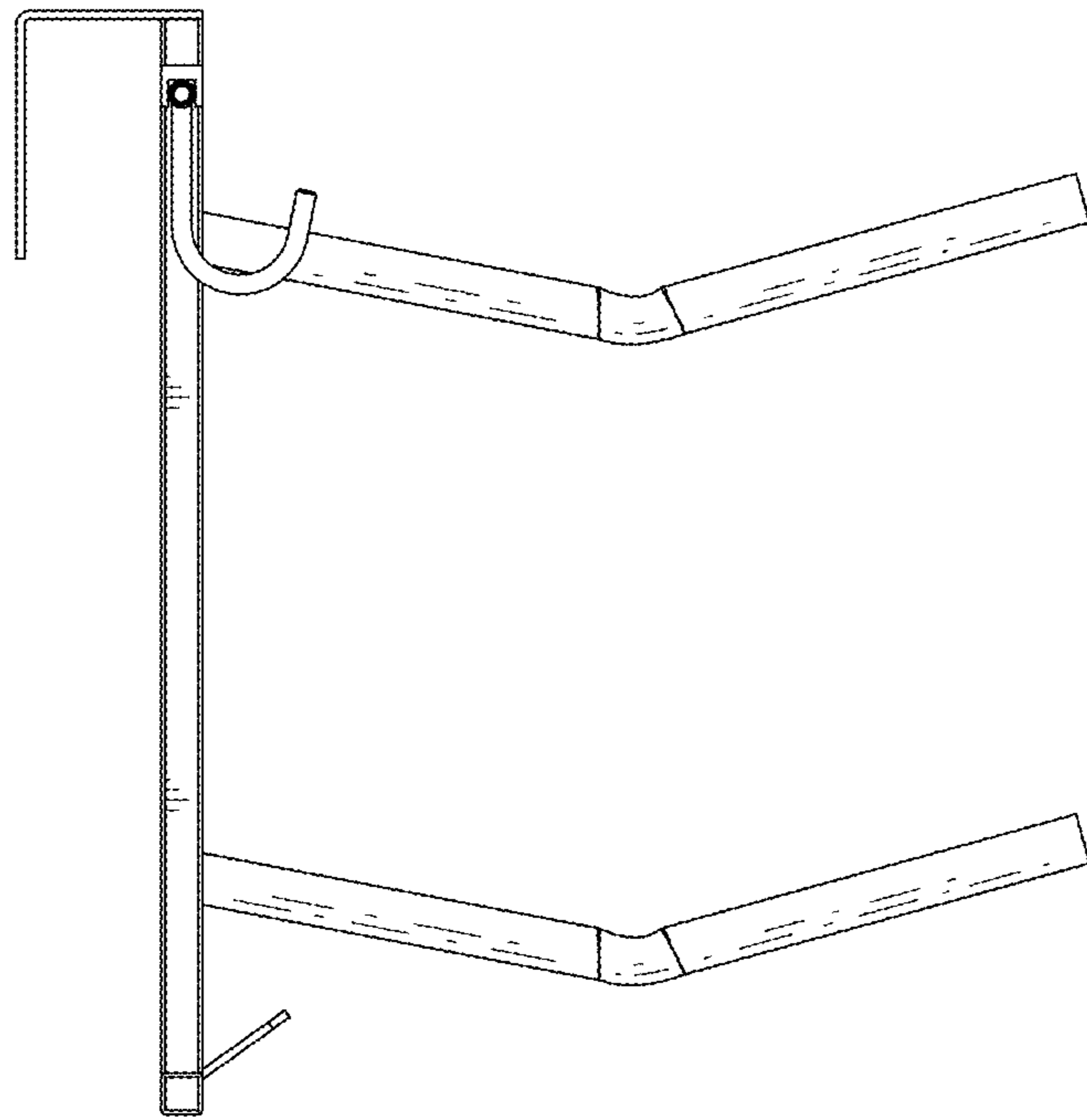


FIG. 4

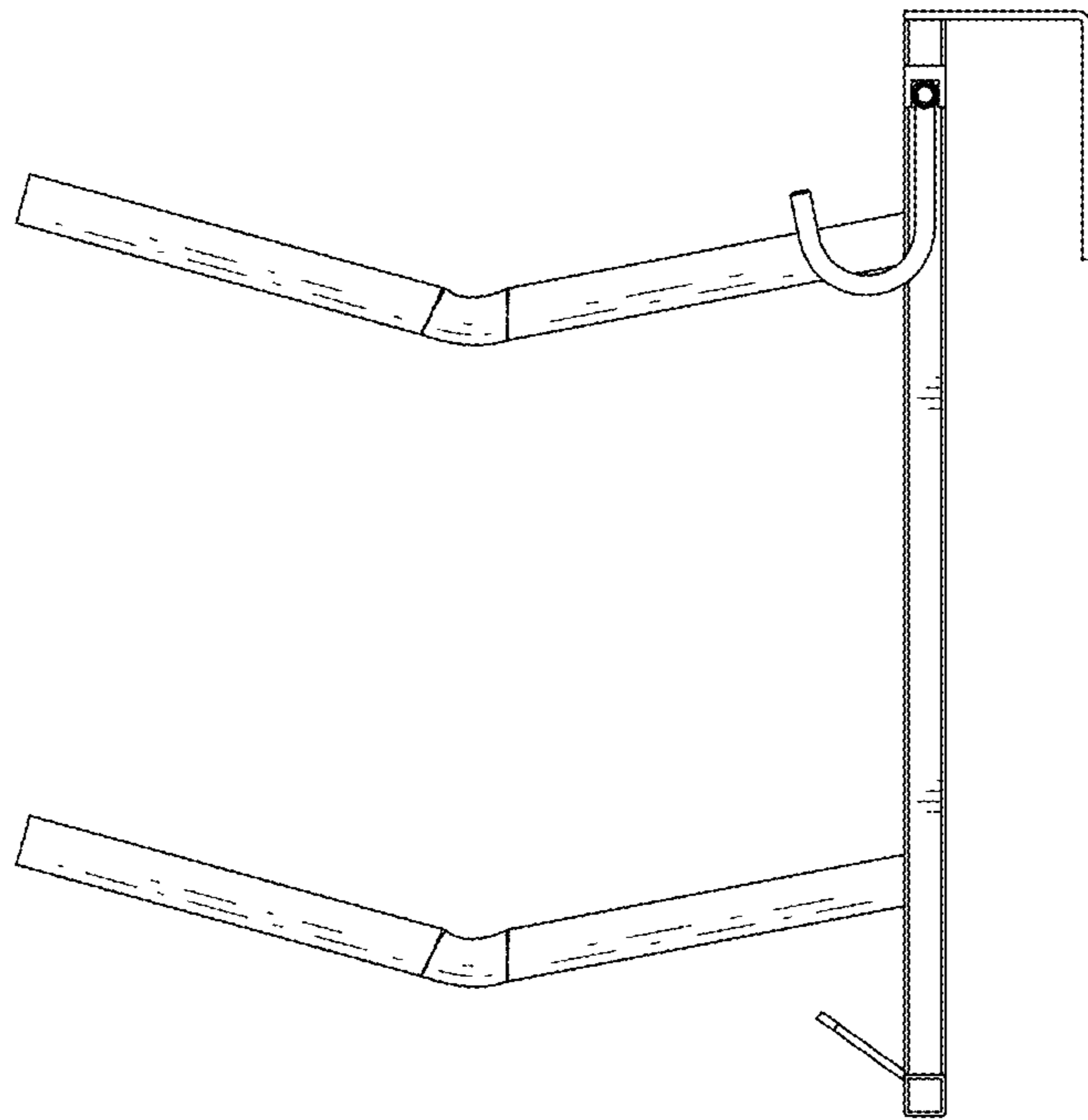


FIG. 5

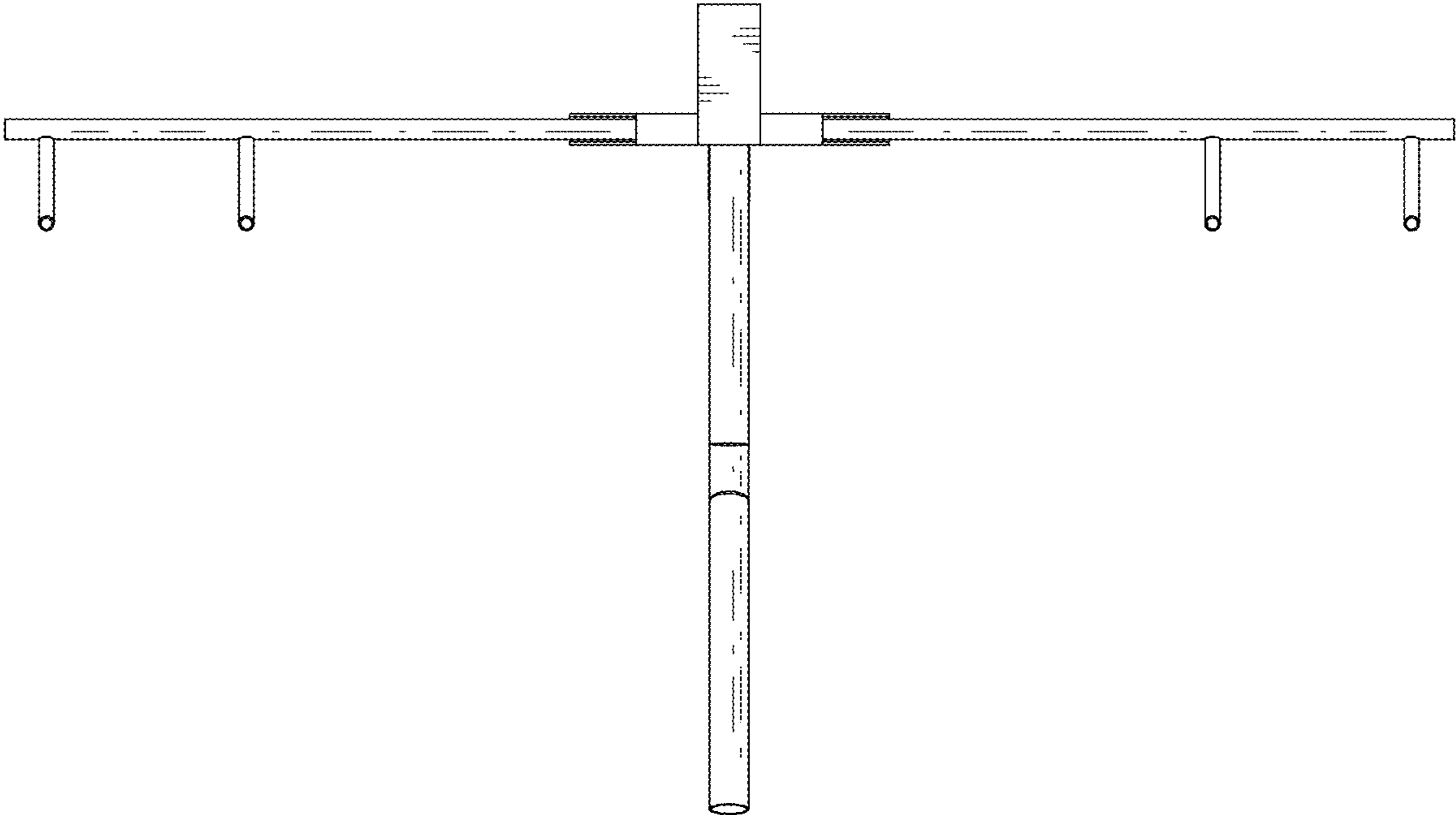


FIG.6

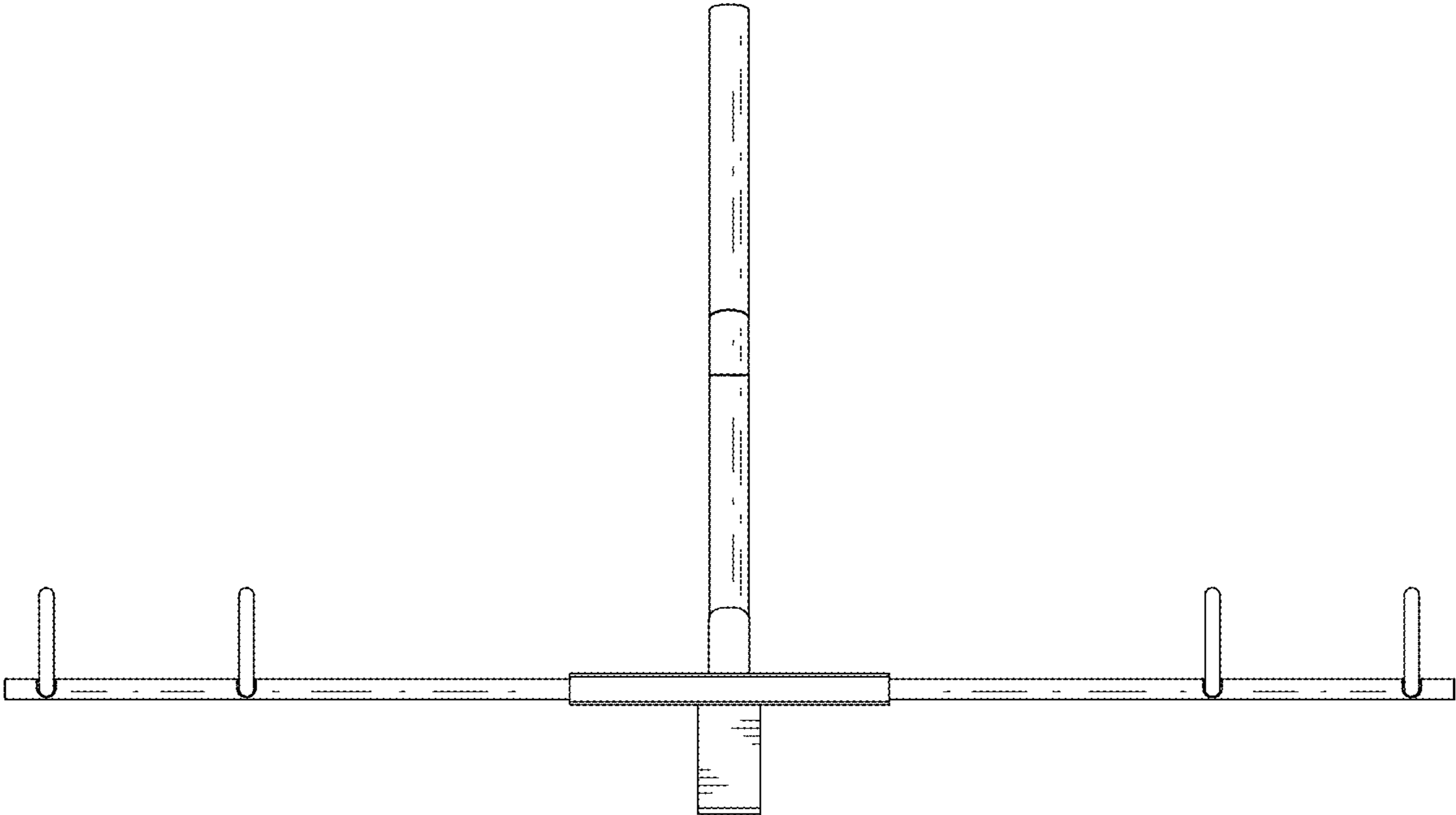


FIG.7