



US00D924491S

(12) **United States Design Patent**
Graves

(10) **Patent No.:** **US D924,491 S**

(45) **Date of Patent:** **** Jul. 6, 2021**

(54) **LIVESTOCK FEEDER**

(71) Applicant: **AmeriAg, LLC**, Burlington, NC (US)

(72) Inventor: **Travis Graves**, Burlington, NC (US)

(73) Assignee: **AmeriAg, LLC**, Burlington, NC (US)

(**) Term: **15 Years**

(21) Appl. No.: **29/706,652**

(22) Filed: **Sep. 23, 2019**

(51) **LOC (13) Cl.** **30-03**

(52) **U.S. Cl.**
USPC **D30/131**

(58) **Field of Classification Search**
USPC D30/121, 129, 130, 131, 132, 133, 199;
119/51.01, 51.1, 52.1, 61.1, 61.51, 61.55,
119/61.5, 61.56

(Continued)

(56) **References Cited**

U.S. PATENT DOCUMENTS

2016/0088817 A1* 3/2016 Priefert A01K 5/0291
119/51.12

2016/0366851 A1* 12/2016 Elias A01K 7/00

(Continued)

FOREIGN PATENT DOCUMENTS

CA 3056082 A1 3/2020
CA 190036 3/2021

OTHER PUBLICATIONS

“AmeriAg Quad Feeder Video” (via YouTube), available Oct. 8, 2019, [online], [site visited Aug. 2, 2020], Retrieved from Internet, URL:https://www.youtube.com/watch?v=HUKFKS6pxY8&feature=emb_logo (Year: 2019).*

(Continued)

Primary Examiner — Michael C Stout
Assistant Examiner — Katrina N Gonzalez

(74) *Attorney, Agent, or Firm* — Jenkins, Wilson, Taylor & Hunt, P.A.

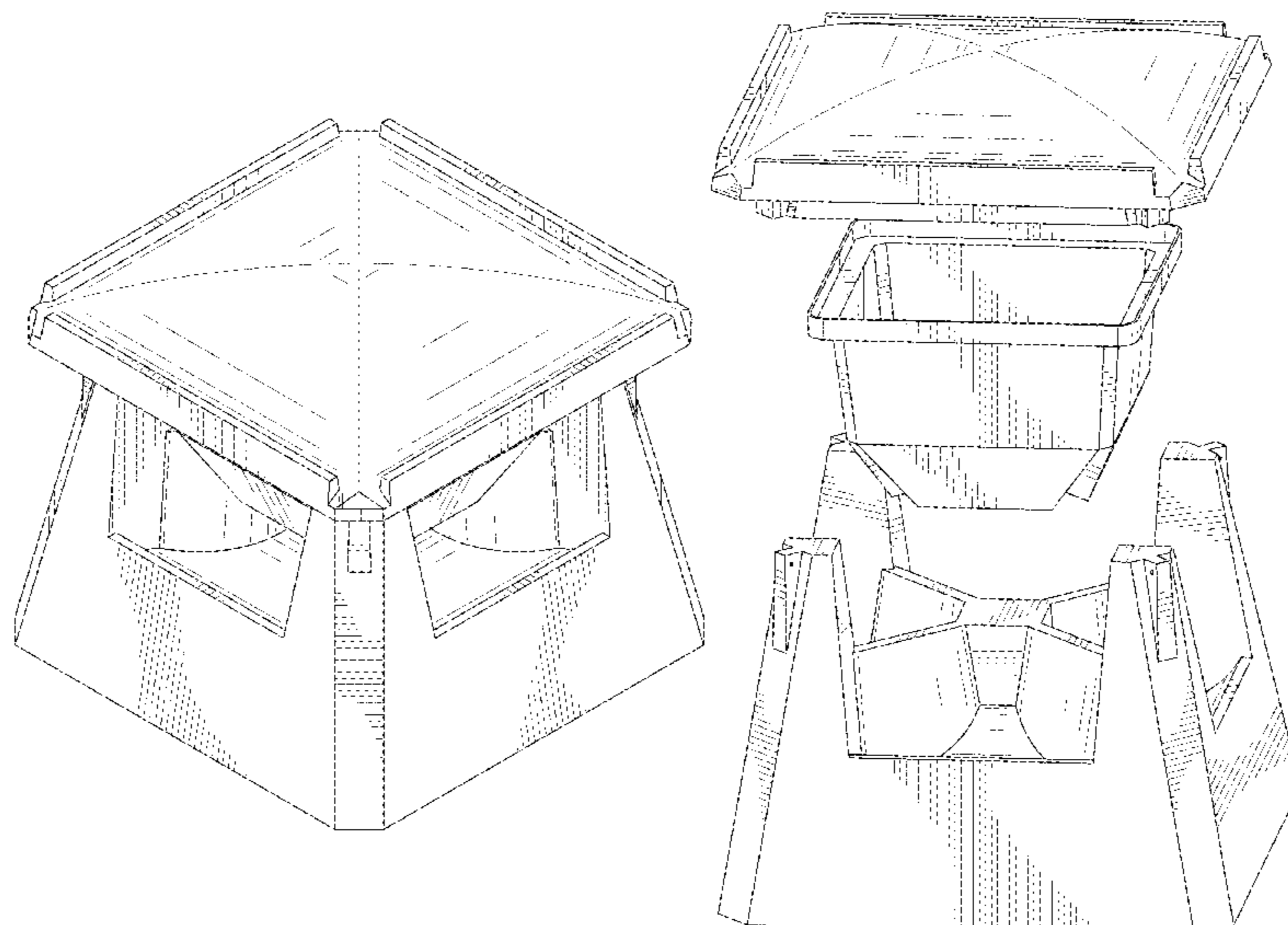
(57) **CLAIM**

The ornamental design for a livestock feeder, as shown and described.

DESCRIPTION

FIG. 1 is a front perspective view of the livestock feeder showing our design, in an assembled condition; FIG. 2 is a front elevation view thereof, the left, right and rear elevation views are mirror images. FIG. 3 is a top plan view thereof; FIG. 4 is a bottom plan view thereof. FIG. 5 is an exploded front perspective view of FIG. 1. FIG. 6 is an exploded front elevation view thereof; the left, right and rear elevation views are mirror images. FIG. 7 is a perspective view of the base of FIG. 1, shown separate for clarity of illustration. FIG. 8 is a front elevation view thereof; the left, right, and rear elevation views are mirror images. FIG. 9 is a top plan view thereof. FIG. 10 is a bottom plan view thereof. FIG. 11 is a perspective view of the hopper of FIG. 1, shown separately for clarity of illustration. FIG. 12 is a front elevation view thereof; the left, right, and rear elevation views are mirror images. FIG. 13 is a top plan view thereof; FIG. 14 is a bottom plan view thereof. FIG. 15 is a perspective view of the lid of FIG. 1. FIG. 16 is a front elevation view thereof; the left, right, and rear elevation views are mirror images. FIG. 17 is a top plan view thereof; and, FIG. 18 is a bottom plan view thereof. The broken lines illustrate portions of the livestock feeder that form no part of the claimed design.

1 Claim, 18 Drawing Sheets



(58) **Field of Classification Search**

CPC A01K 5/00; A01K 5/0121; A01K 5/0135;
A01K 7/005; A01K 5/0225; A01K 5/0107
See application file for complete search history.

(56) **References Cited**

U.S. PATENT DOCUMENTS

2017/0055492 A1* 3/2017 Lowenthal A01K 5/0114
2020/0093094 A1* 3/2020 Graves A01K 5/0107

OTHER PUBLICATIONS

“AmeriAg, LLC—Facebook” available Jun. 18, 2019, [online], [site visited Aug. 2, 2020], Retrieved from Internet, URL:<https://www.facebook.com/ameriagllc/photos/a.2274107089535514/2426922534253968/?type=3&theater> (Year: 2019).*

* cited by examiner

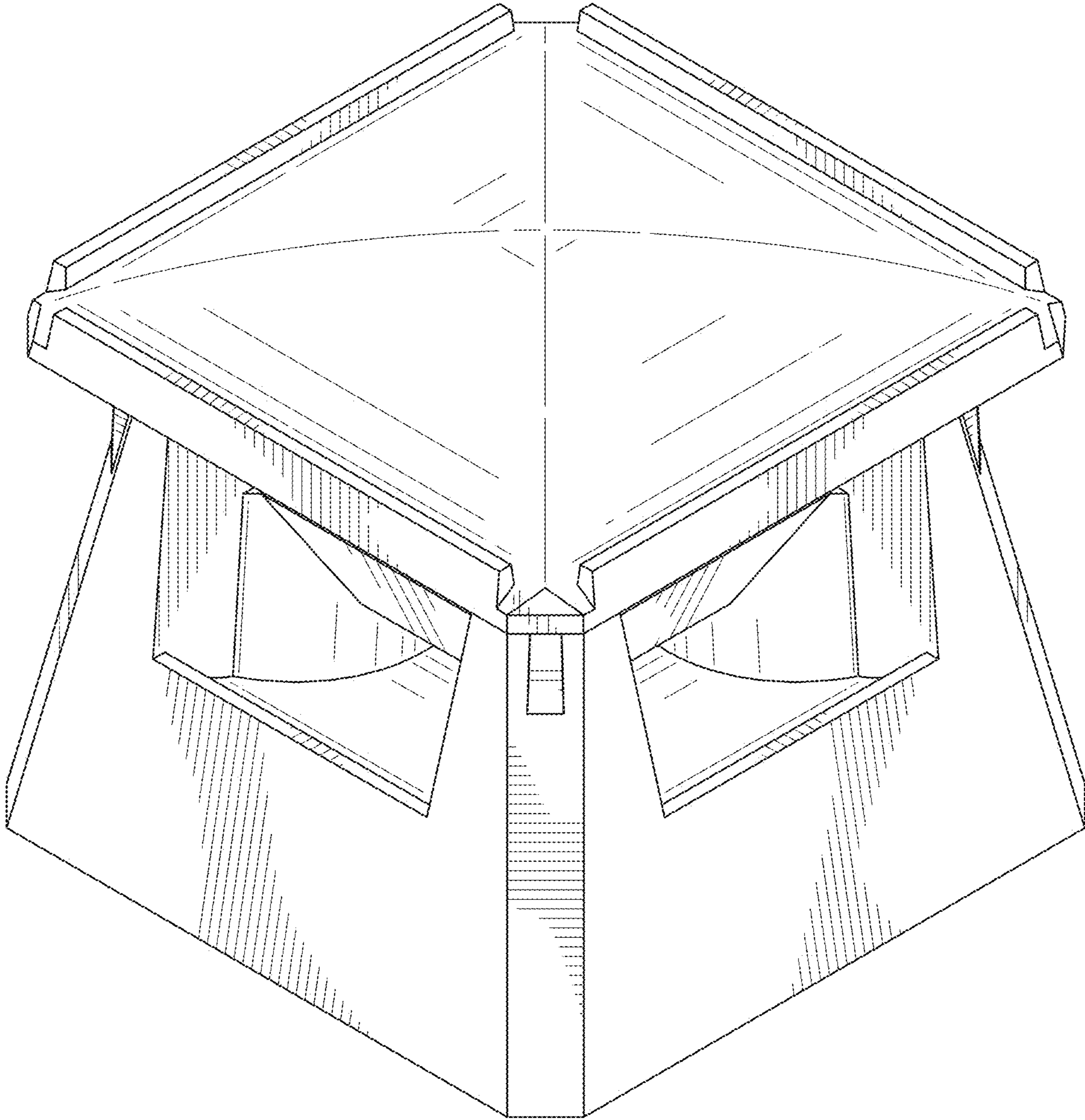


FIG. 1

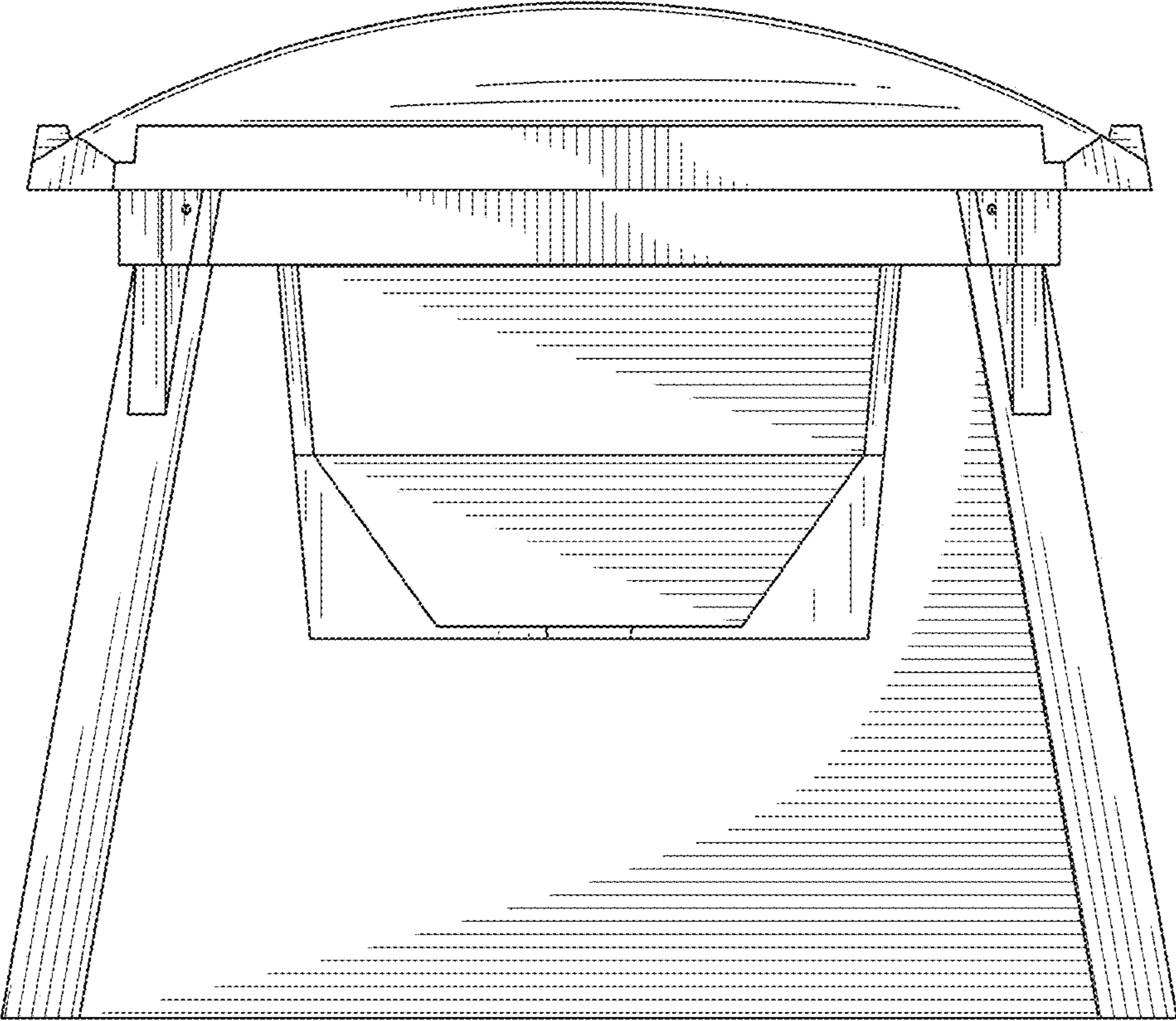


FIG. 2

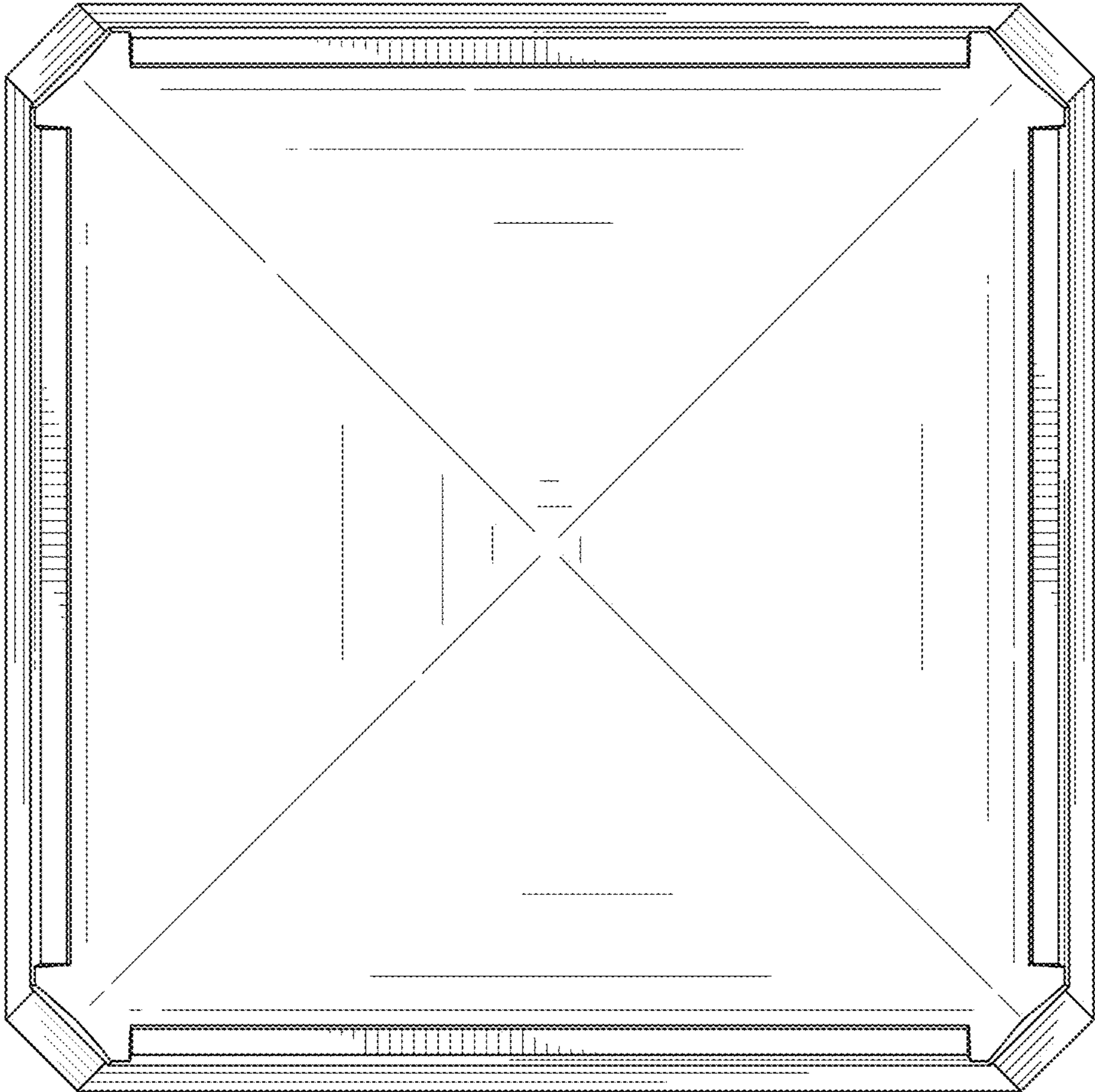


FIG. 3

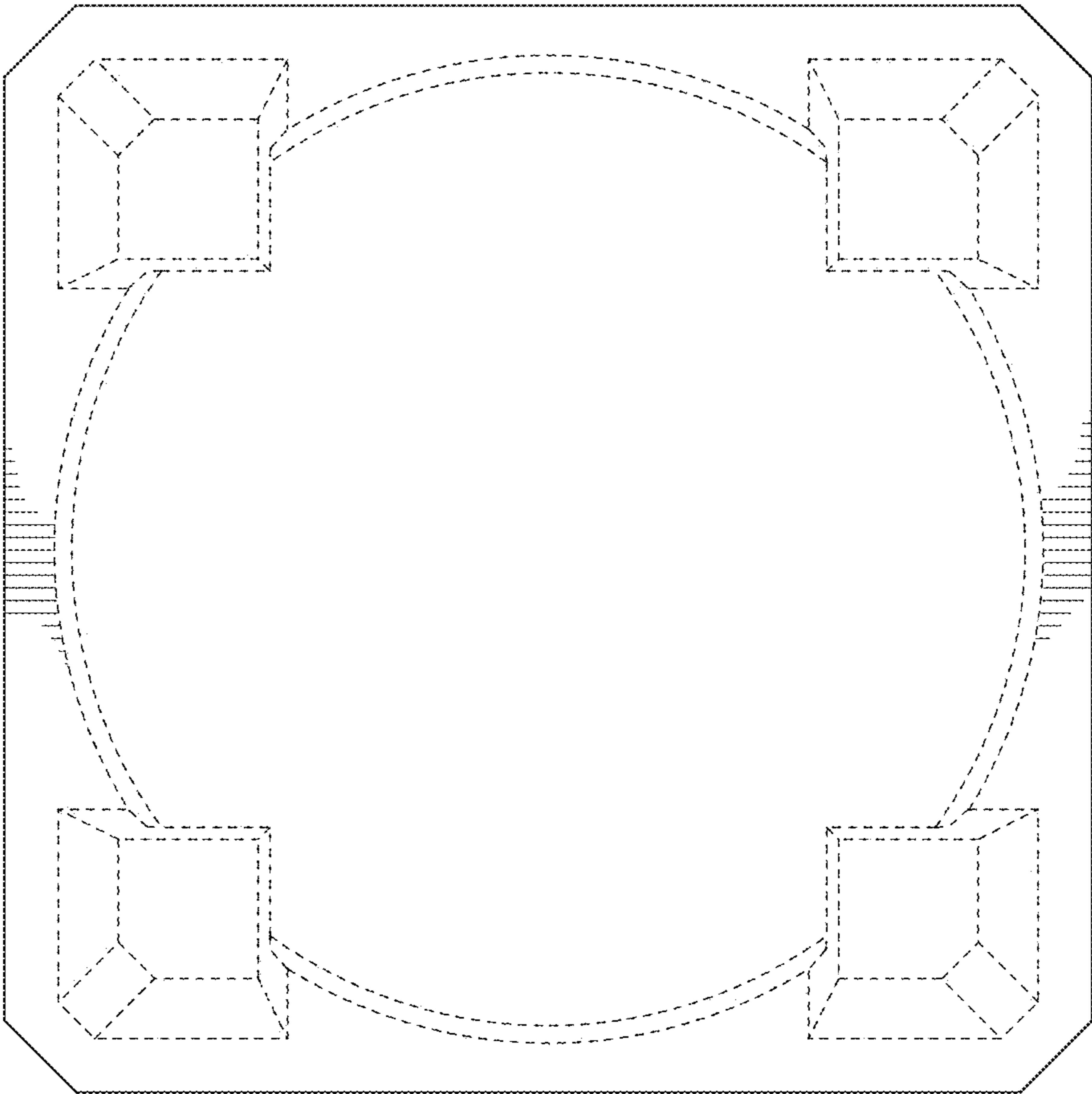


FIG. 4

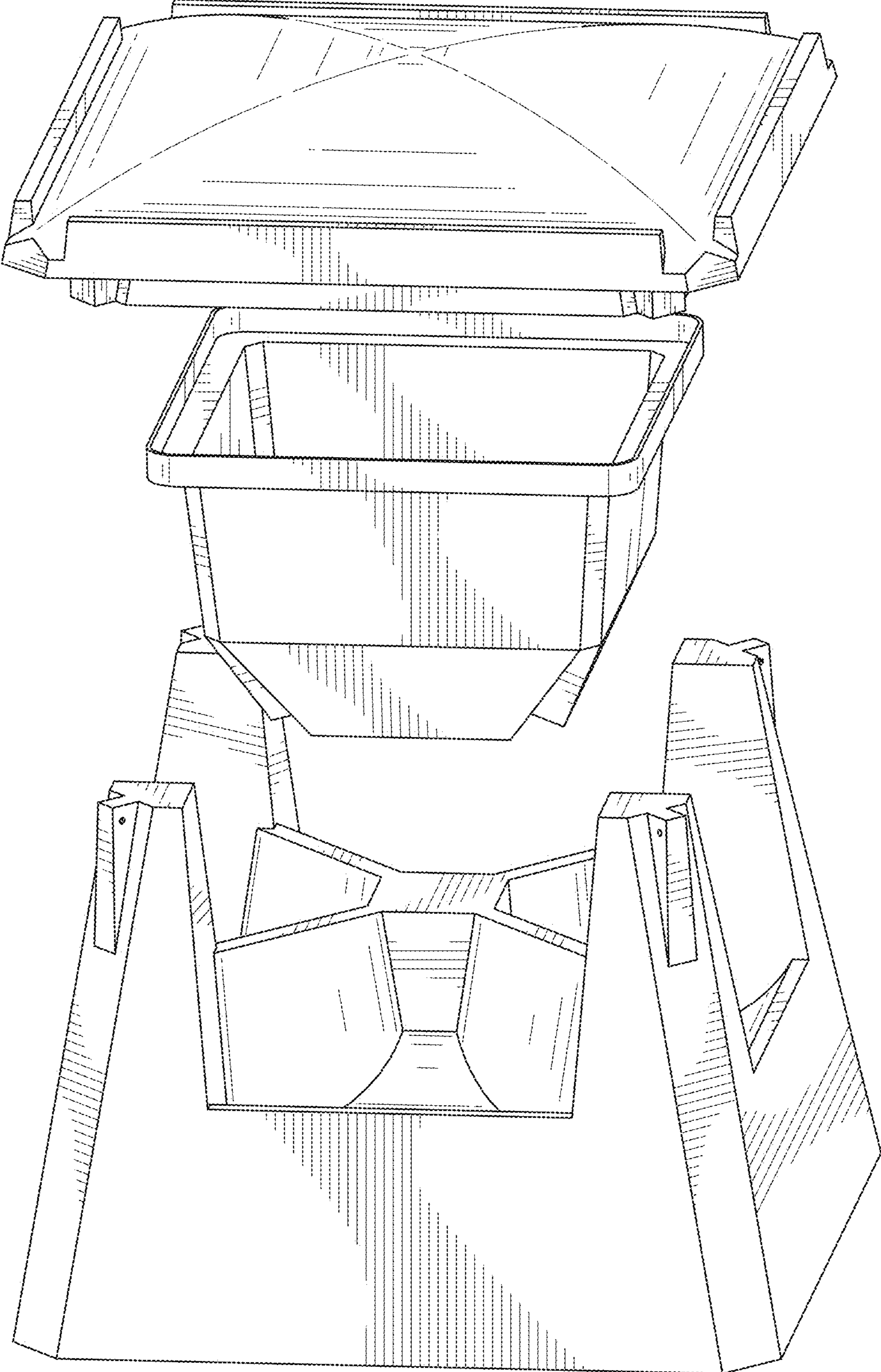


FIG. 5

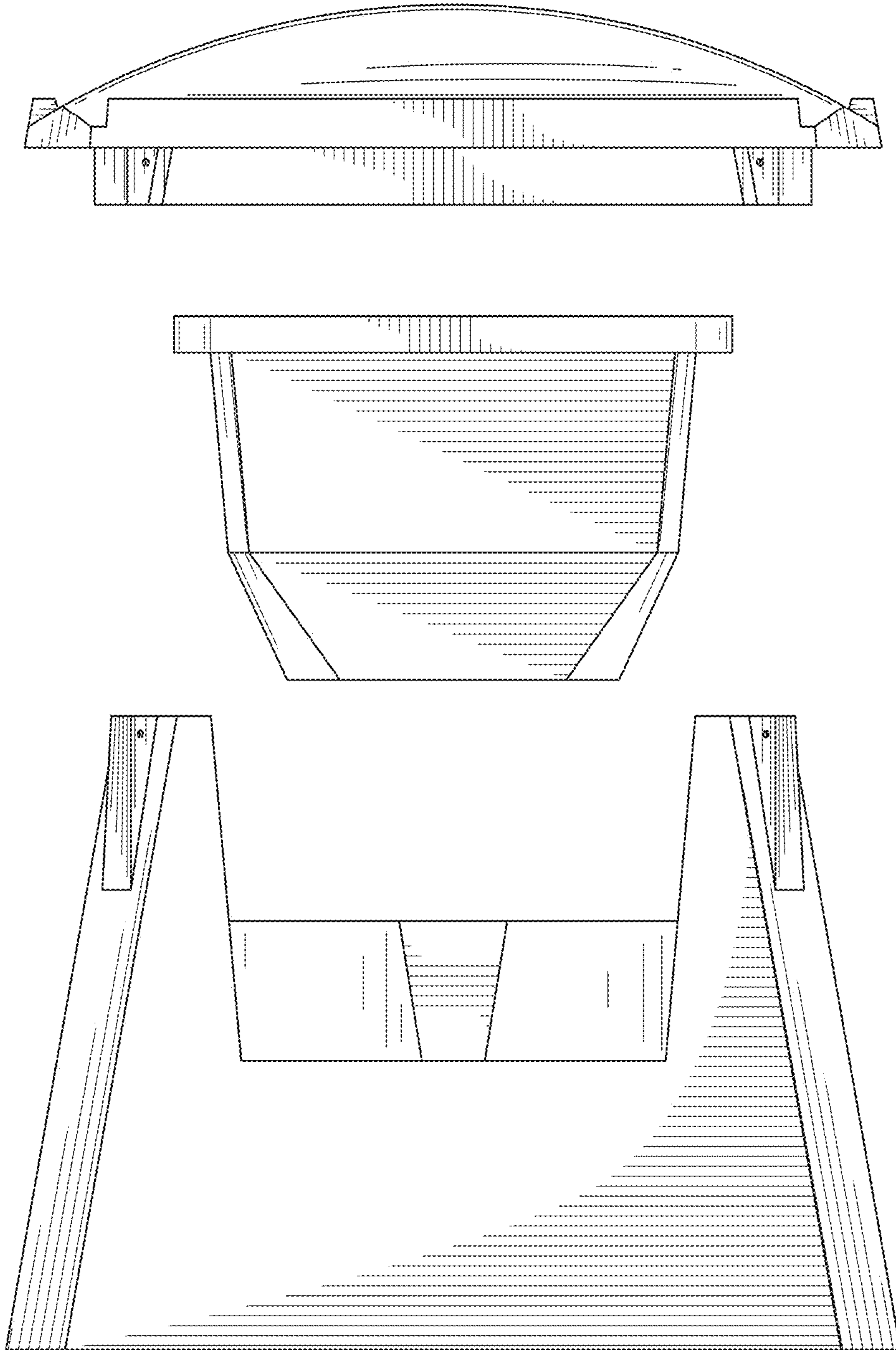


FIG. 6

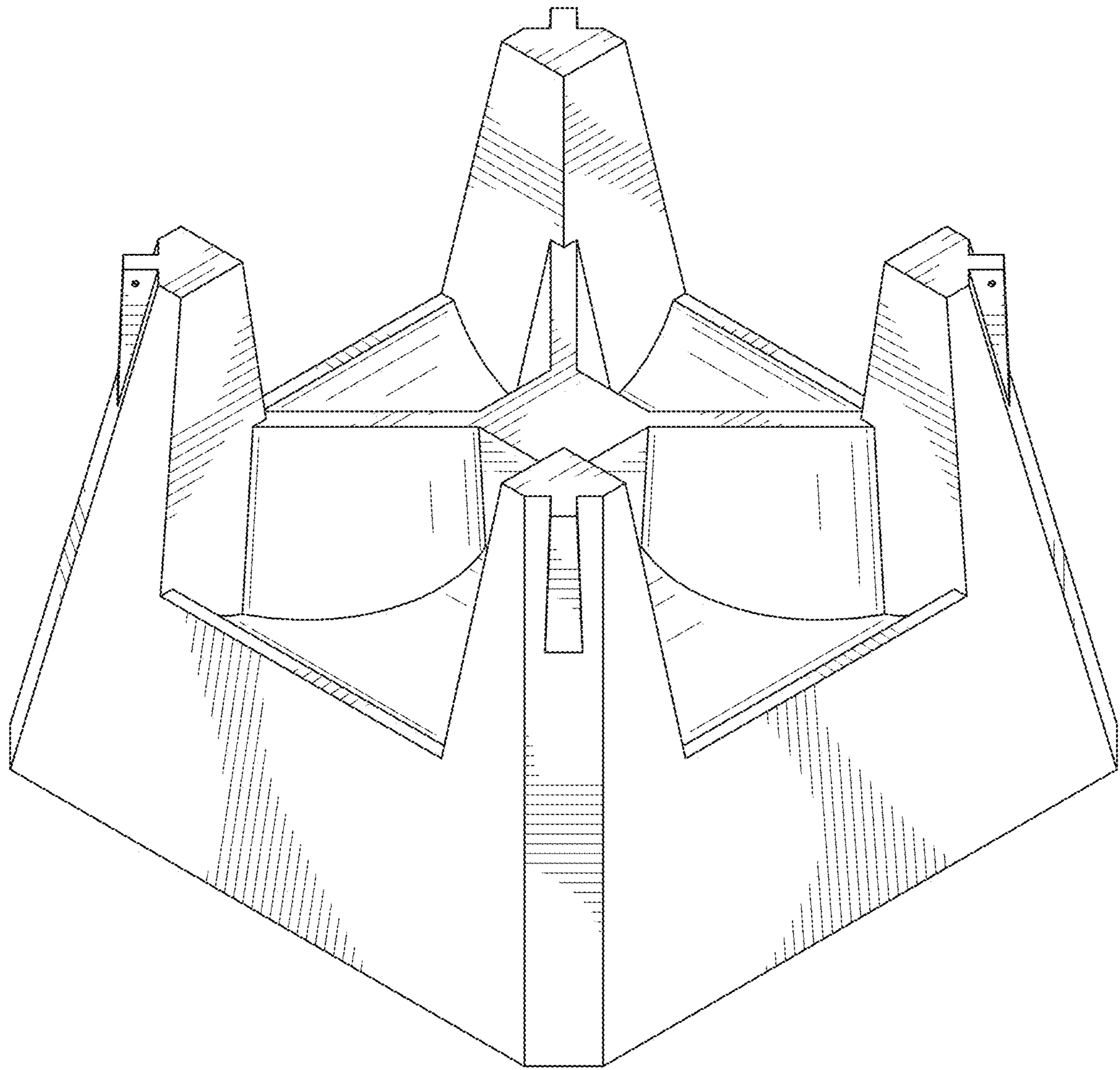


FIG. 7

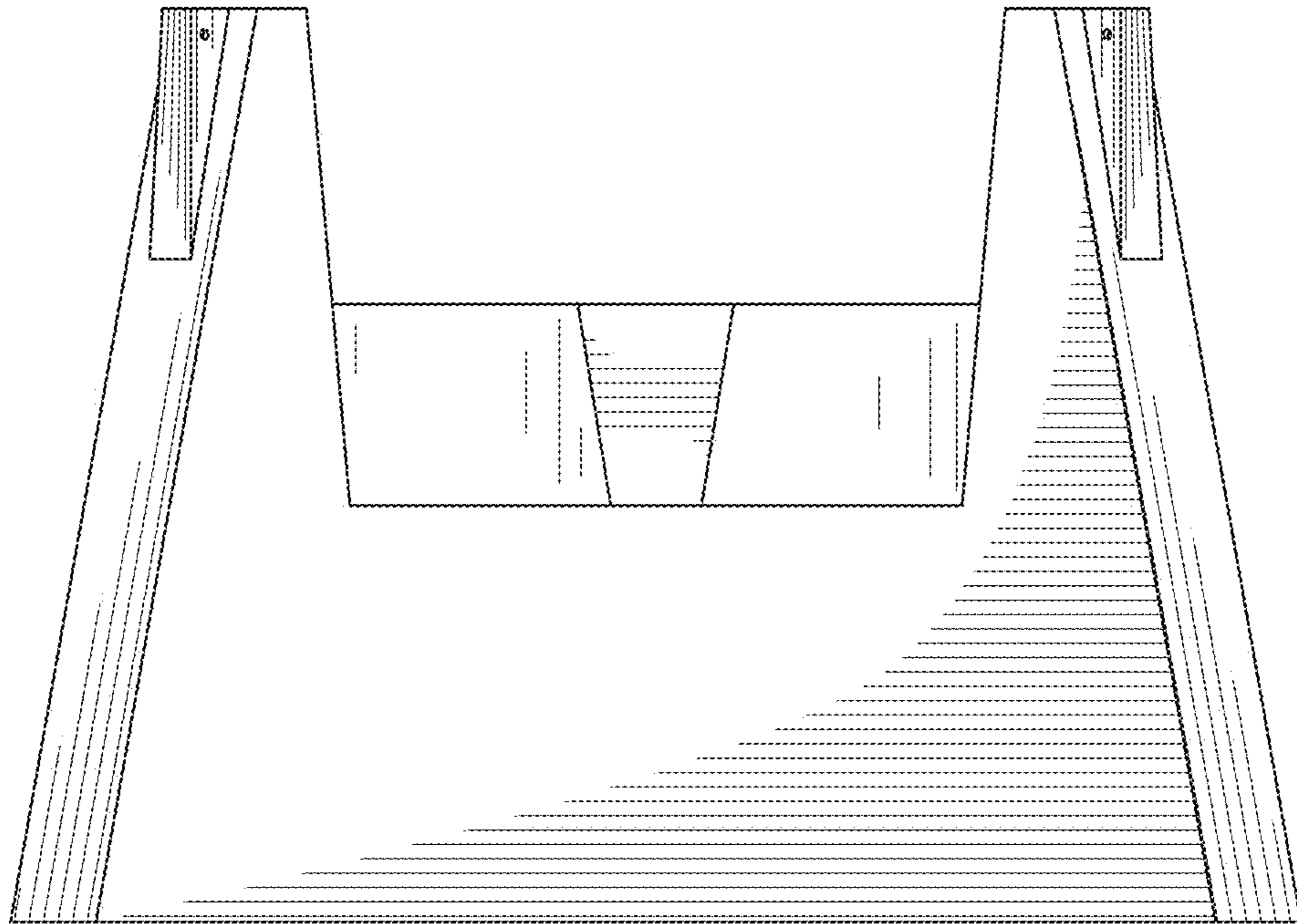


FIG. 8

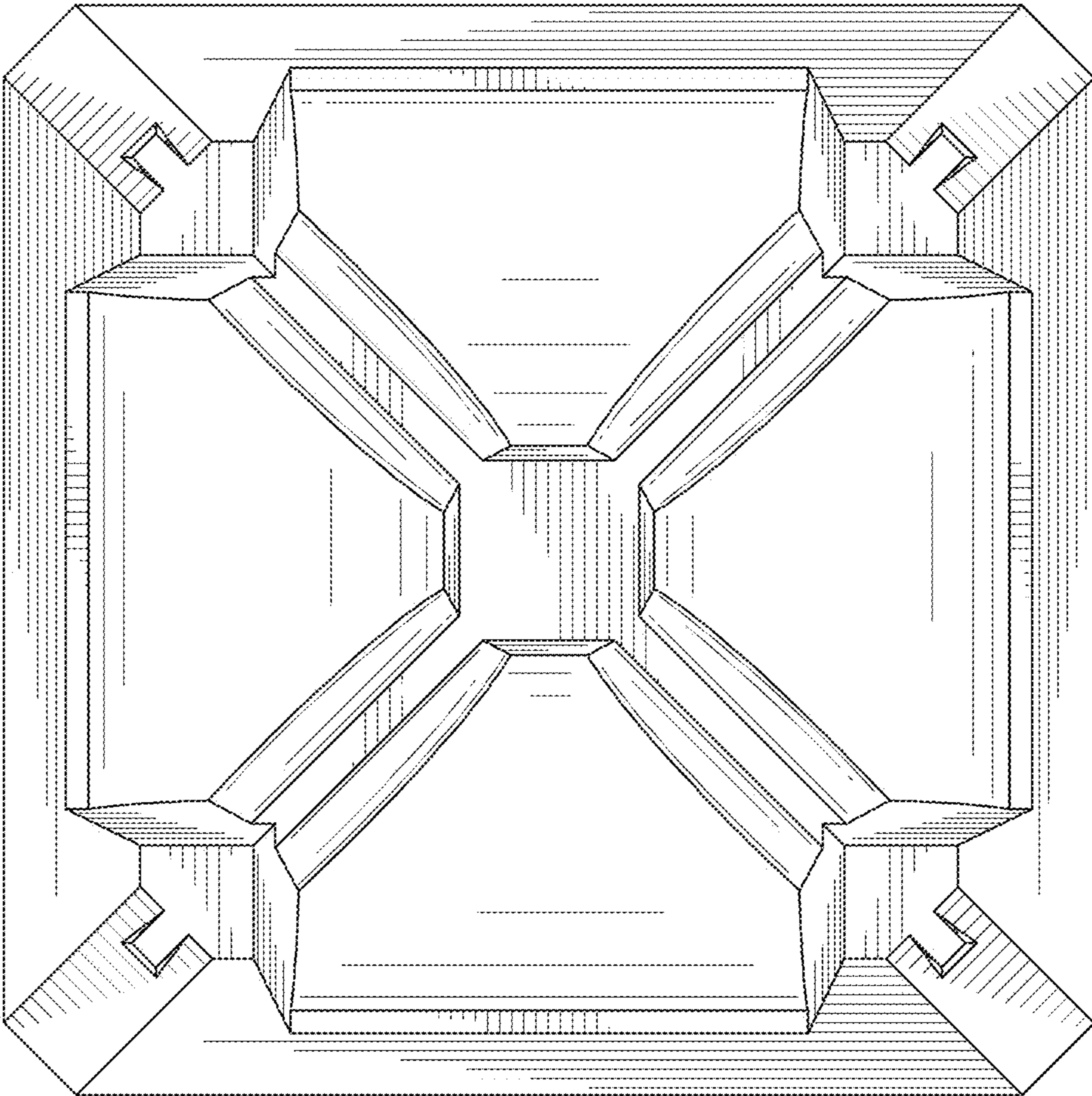


FIG. 9

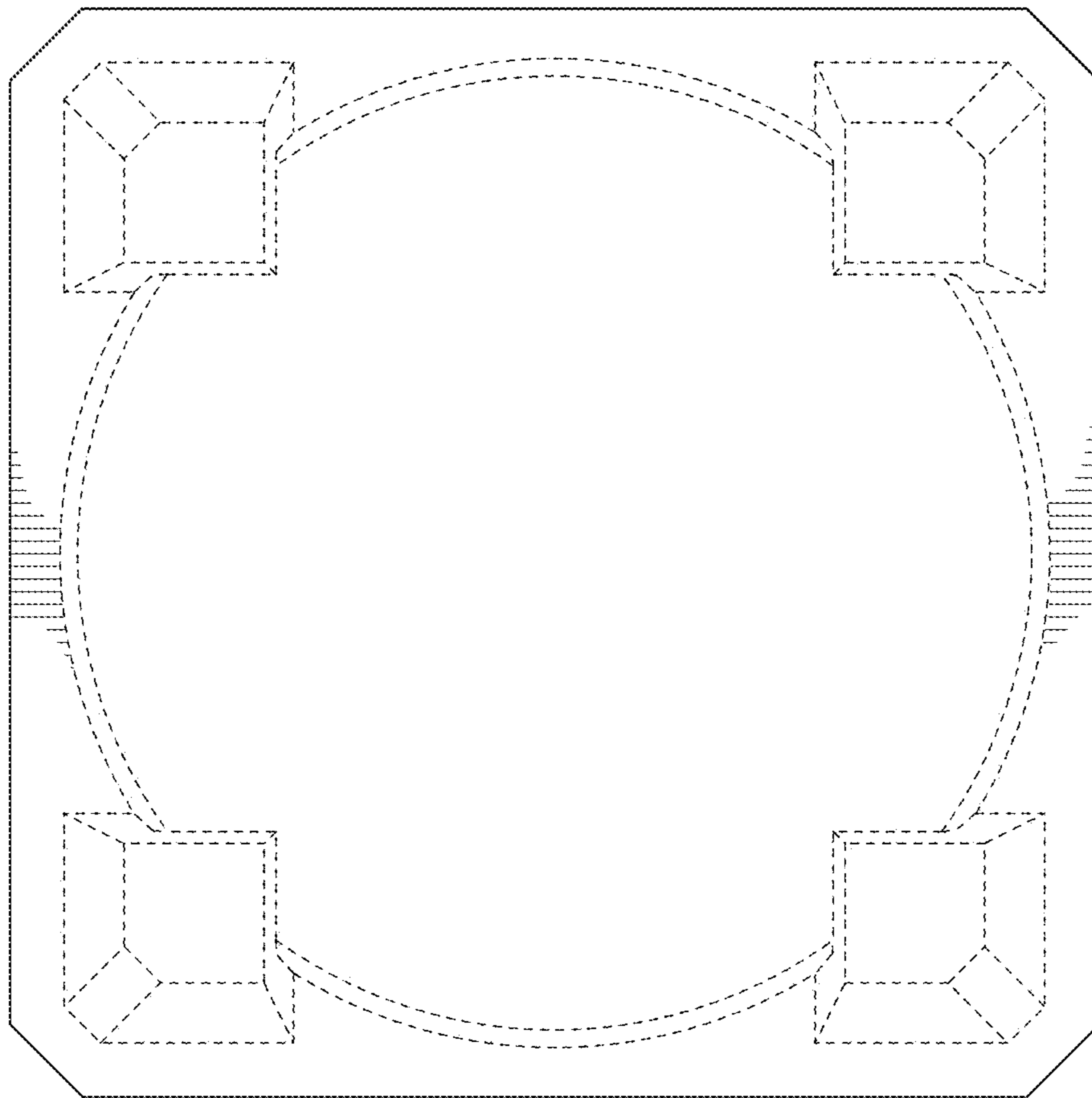


FIG. 10

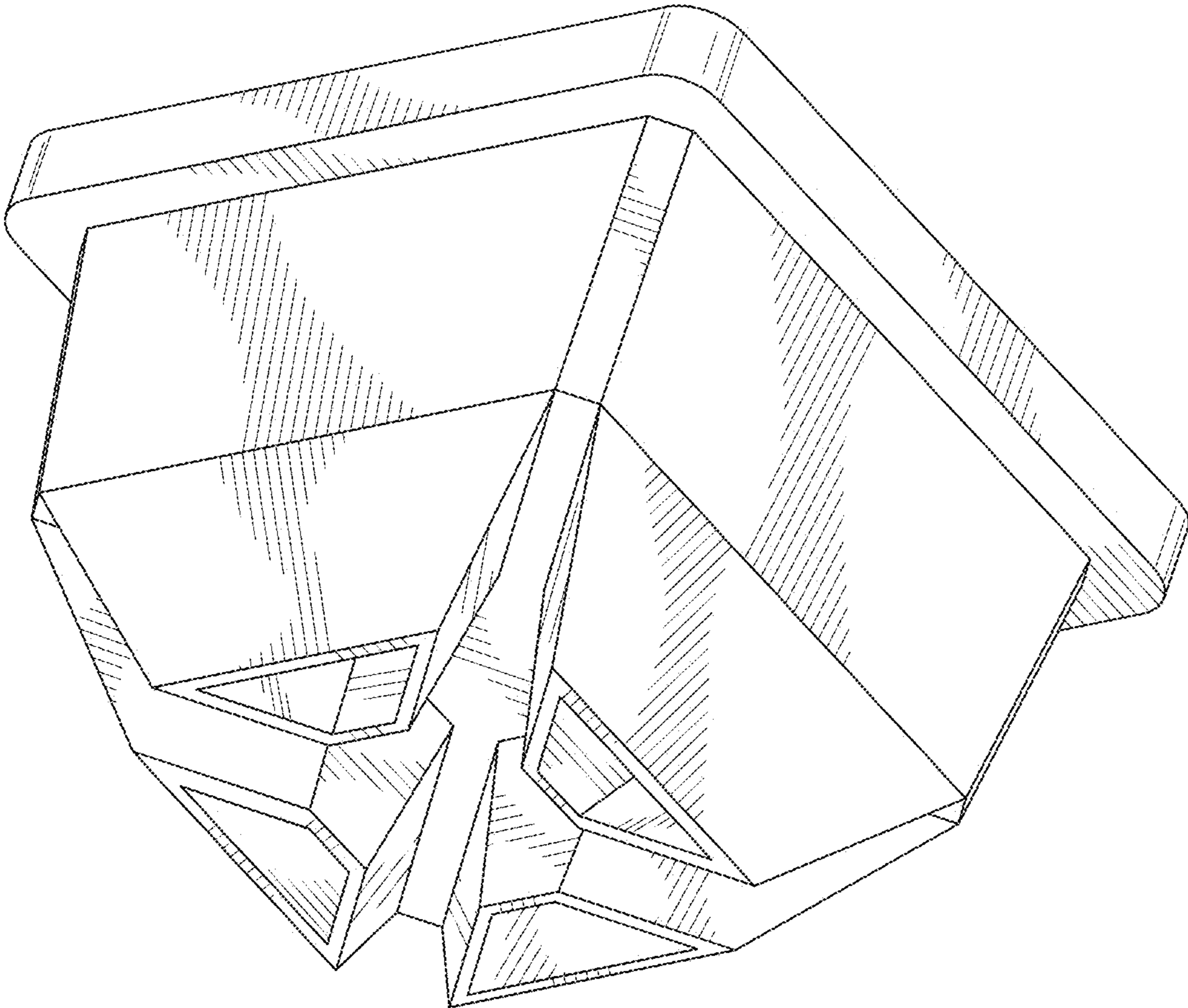


FIG. 11

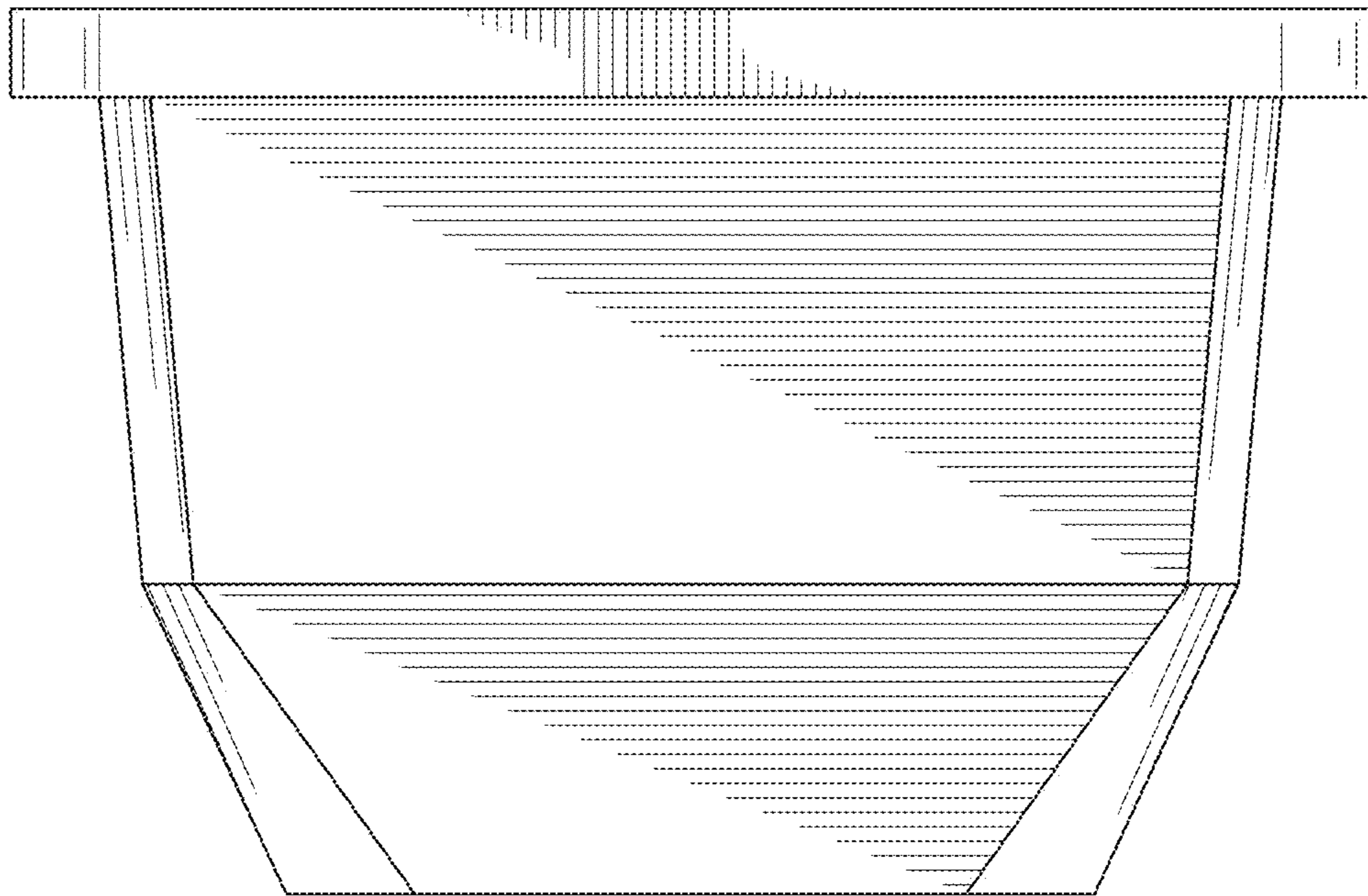


FIG. 12

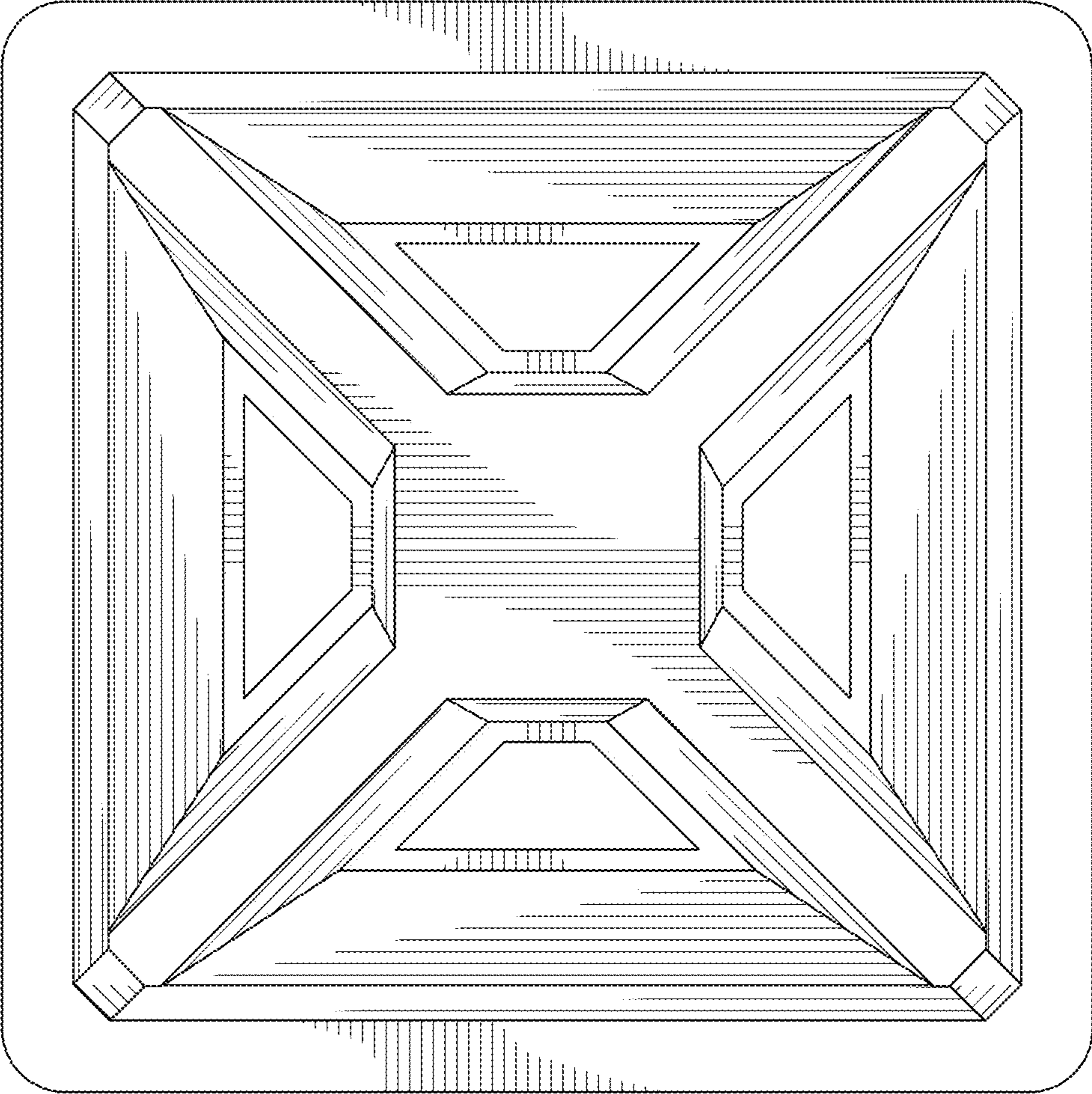


FIG. 13

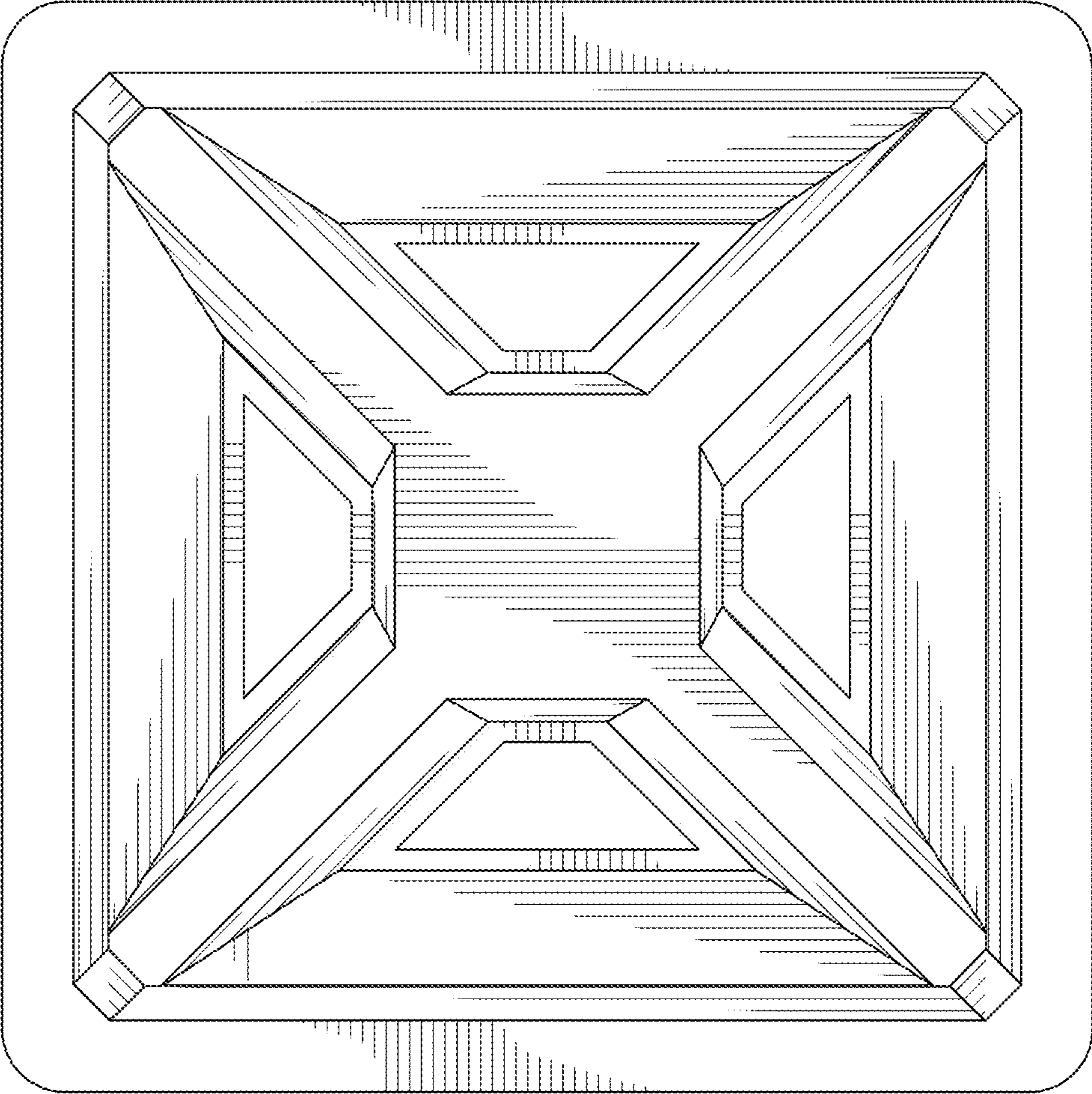


FIG. 14

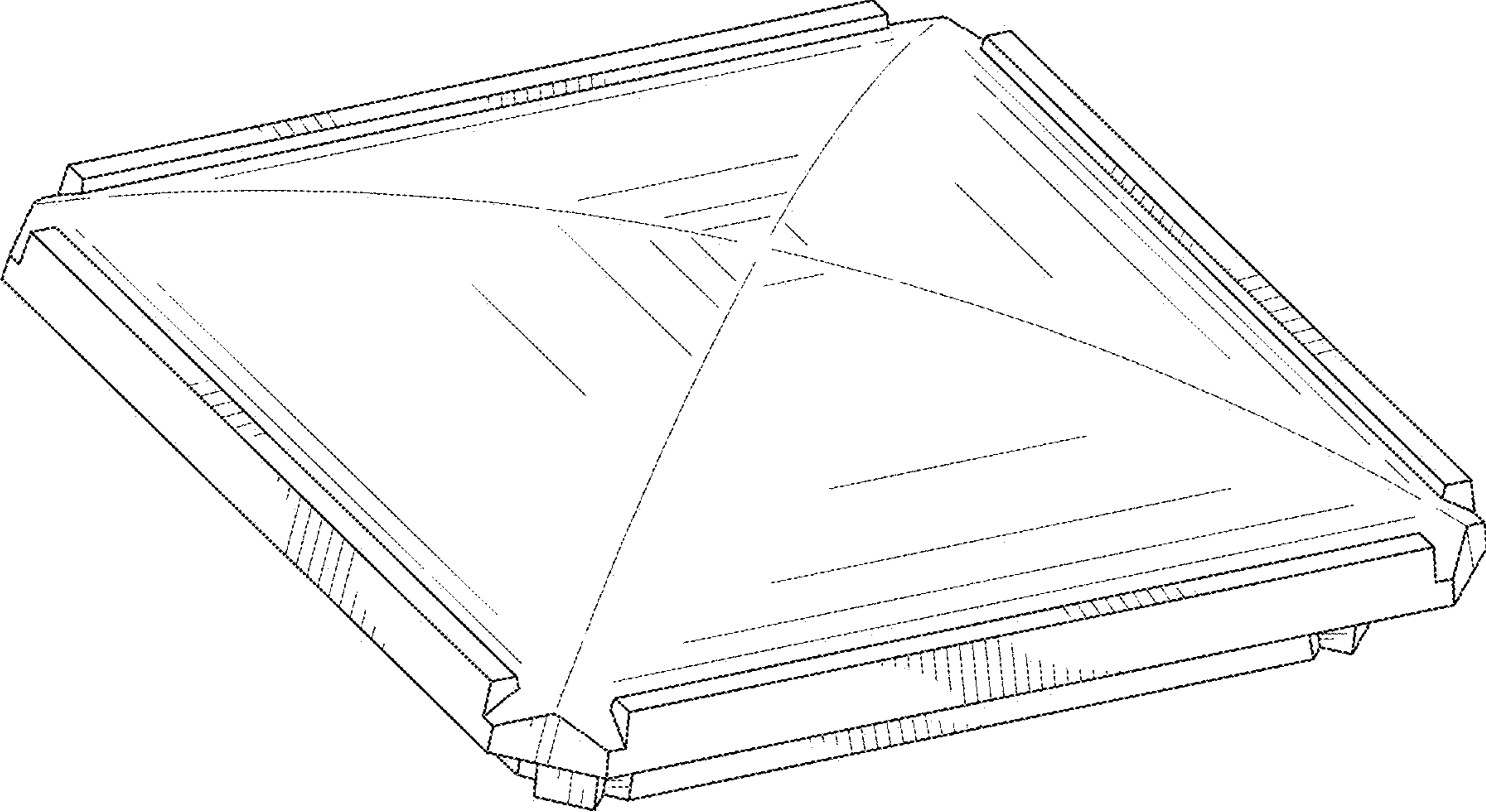


FIG. 15

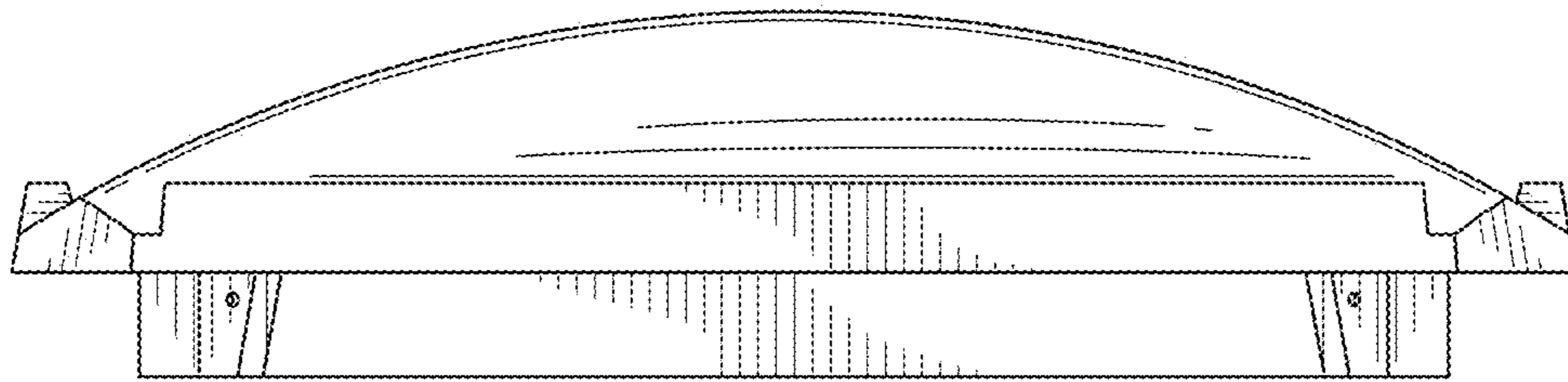


FIG. 16

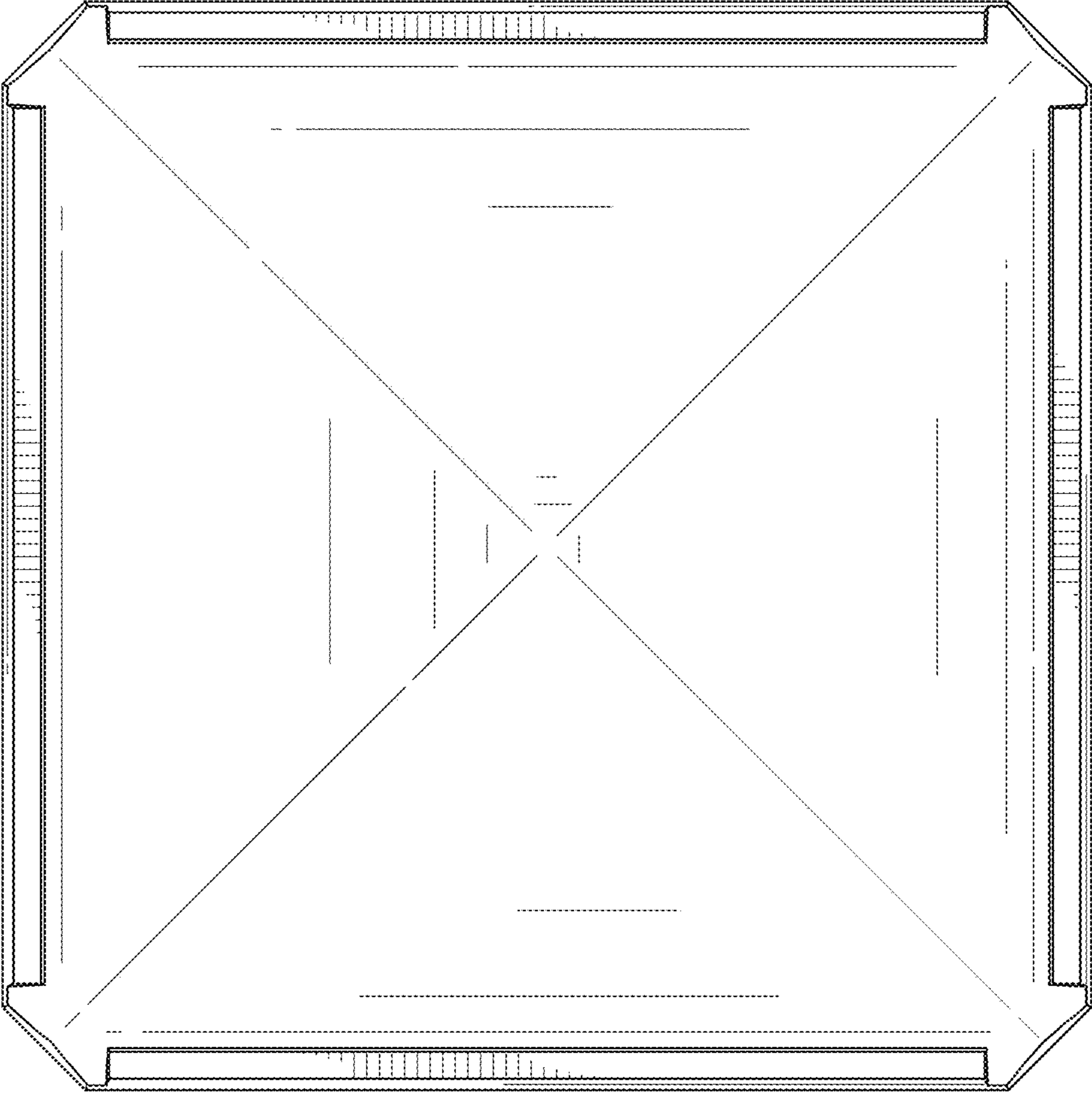


FIG. 17

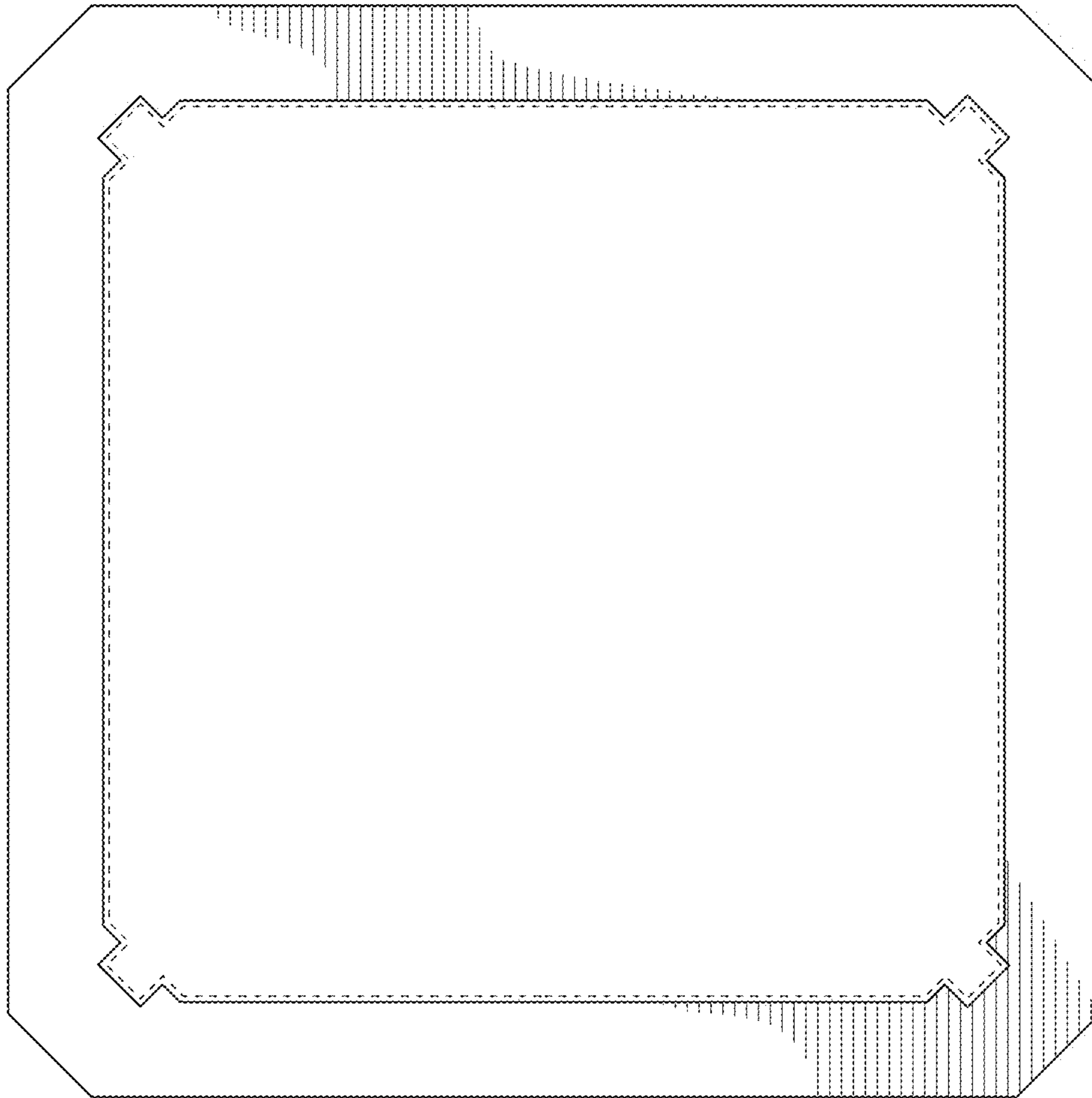


FIG. 18