



US00D924490S

(12) **United States Design Patent** (10) **Patent No.:** **US D924,490 S**
Yan (45) **Date of Patent:** **** Jul. 6, 2021**

(54) **PET BOWL**
(71) Applicant: **Jiangshui Yan**, Dehua County (CN)
(72) Inventor: **Jiangshui Yan**, Dehua County (CN)
(**) Term: **15 Years**
(21) Appl. No.: **29/764,541**
(22) Filed: **Dec. 30, 2020**
(51) **LOC (13) Cl.** **30-03**
(52) **U.S. Cl.**
USPC **D30/129**
(58) **Field of Classification Search**
USPC D30/121, 122, 129, 130, 131, 132, 133,
D30/199; 119/51.01, 51.02, 51.11, 51.5,
119/57.92, 58, 60, 61.5, 61, 52, 61.53,
119/61.54, 61.55, 61.57, 69
CPC .. A01K 5/0114; A01K 5/0121; A01K 5/0135;
A01K 7/005; A01K 7/00; A01K 39/02;
A01K 39/04; A01K 39/0213
See application file for complete search history.

(56) **References Cited**

U.S. PATENT DOCUMENTS

D86,379 S * 3/1932 Kizinski D7/503
2,813,509 A * 11/1957 Bruno A01K 5/0114
119/51.01
3,611,998 A * 10/1971 Loscalzo A01K 5/0114
119/61.54
D402,427 S * 12/1998 Johnson D30/119
D466,256 S * 11/2002 Kaplan D30/129
D471,677 S * 3/2003 Northrop D30/129
D472,021 S * 3/2003 Northrop D30/129
D491,322 S 6/2004 Wolf
D504,196 S * 4/2005 Huthmaker D30/129
D561,021 S 2/2008 DuVal et al.
D583,109 S * 12/2008 Lindsay D30/122
D659,296 S * 5/2012 Anderson D30/129
D670,451 S * 11/2012 Able D30/129
D700,752 S 3/2014 Gilkey et al.

D757,373 S 5/2016 Breit
D760,030 S * 6/2016 Wilson D7/558
D777,992 S * 1/2017 Tsengas D30/129
D816,279 S 4/2018 Peninger et al.
D819,278 S 5/2018 Watanabe
D830,007 S 10/2018 Harris
D830,646 S * 10/2018 Kerr D30/129
D832,529 S * 10/2018 Elliott D30/129
D841,901 S 2/2019 Renforth et al.
D853,053 S 7/2019 O'Donnell et al.
D872,380 S 1/2020 Liu
D874,742 S 2/2020 Glaros
D891,005 S * 7/2020 Liu D30/129

(Continued)

OTHER PUBLICATIONS

“Taylor Weighing Bowl Digital Kitchen Scale” available Sep. 8, 2017, [online], [site visited Mar. 22, 2021], Retrieved from Internet, URL:https://www.amazon.com/Taylor-Weighing-Digital-Kitchen-Capacity/dp/B075HNYBMQ?th=1 (Year: 2017).*

Primary Examiner — Michael C Stout
Assistant Examiner — Katrina N Gonzalez
(74) *Attorney, Agent, or Firm* — Xiaofang Zhong; Law office of Xiaofang Zhong, PLLC

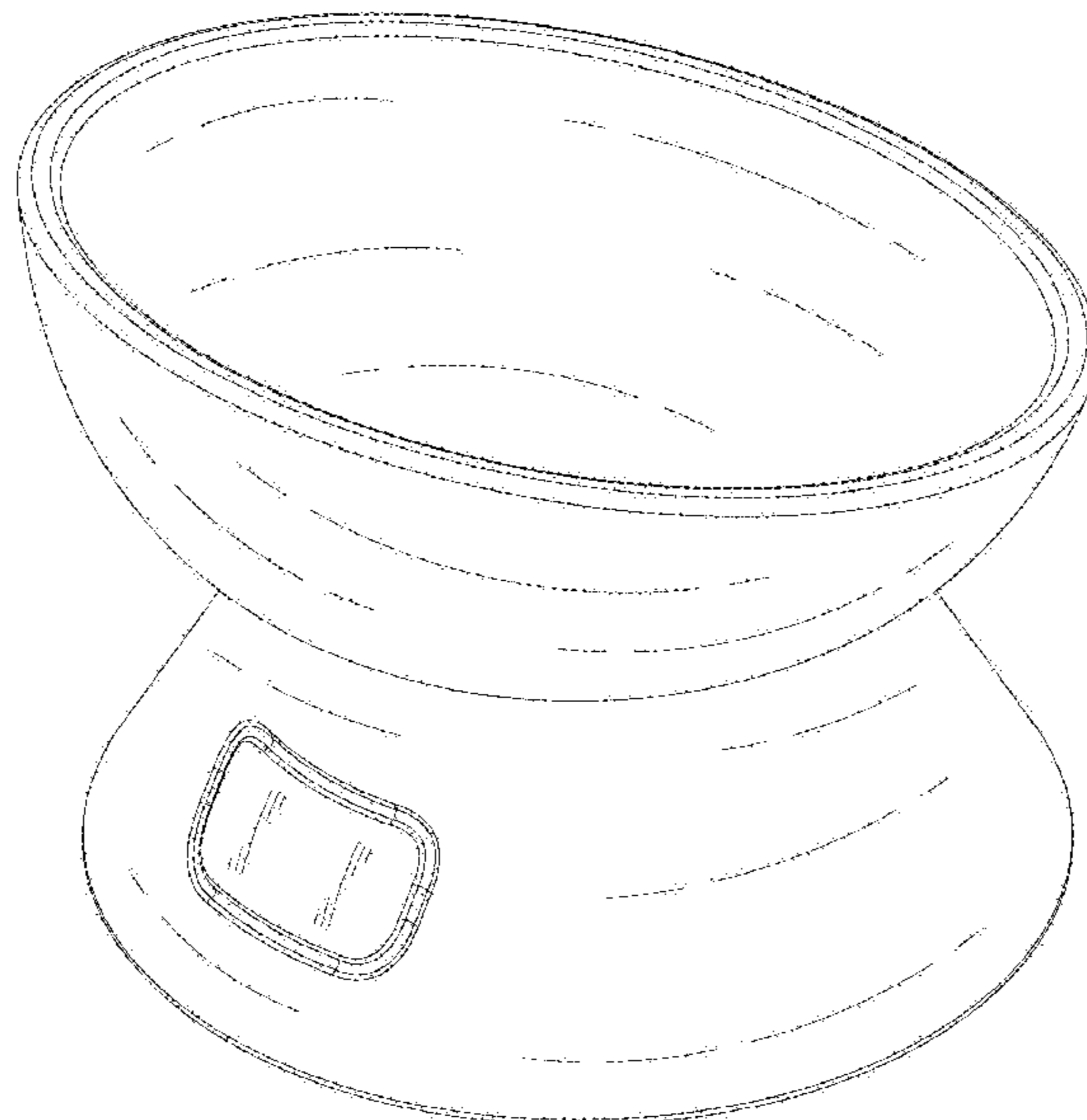
(57) **CLAIM**

The ornamental design for a pet bowl, as shown and described.

DESCRIPTION

FIG. 1 is a perspective view of a pet bowl showing my new design;
FIG. 2 is a front elevation view thereof;
FIG. 3 is a back elevation view thereof;
FIG. 4 is a left-side elevation view thereof;
FIG. 5 is a right-side elevation view thereof;
FIG. 6 is a top plan view thereof; and,
FIG. 7 is a bottom plan view thereof.

1 Claim, 7 Drawing Sheets



(56)

References Cited

U.S. PATENT DOCUMENTS

D894,679 S 9/2020 Cheng
D897,051 S 9/2020 Kerr et al.
D900,411 S 10/2020 Liang et al.

* cited by examiner

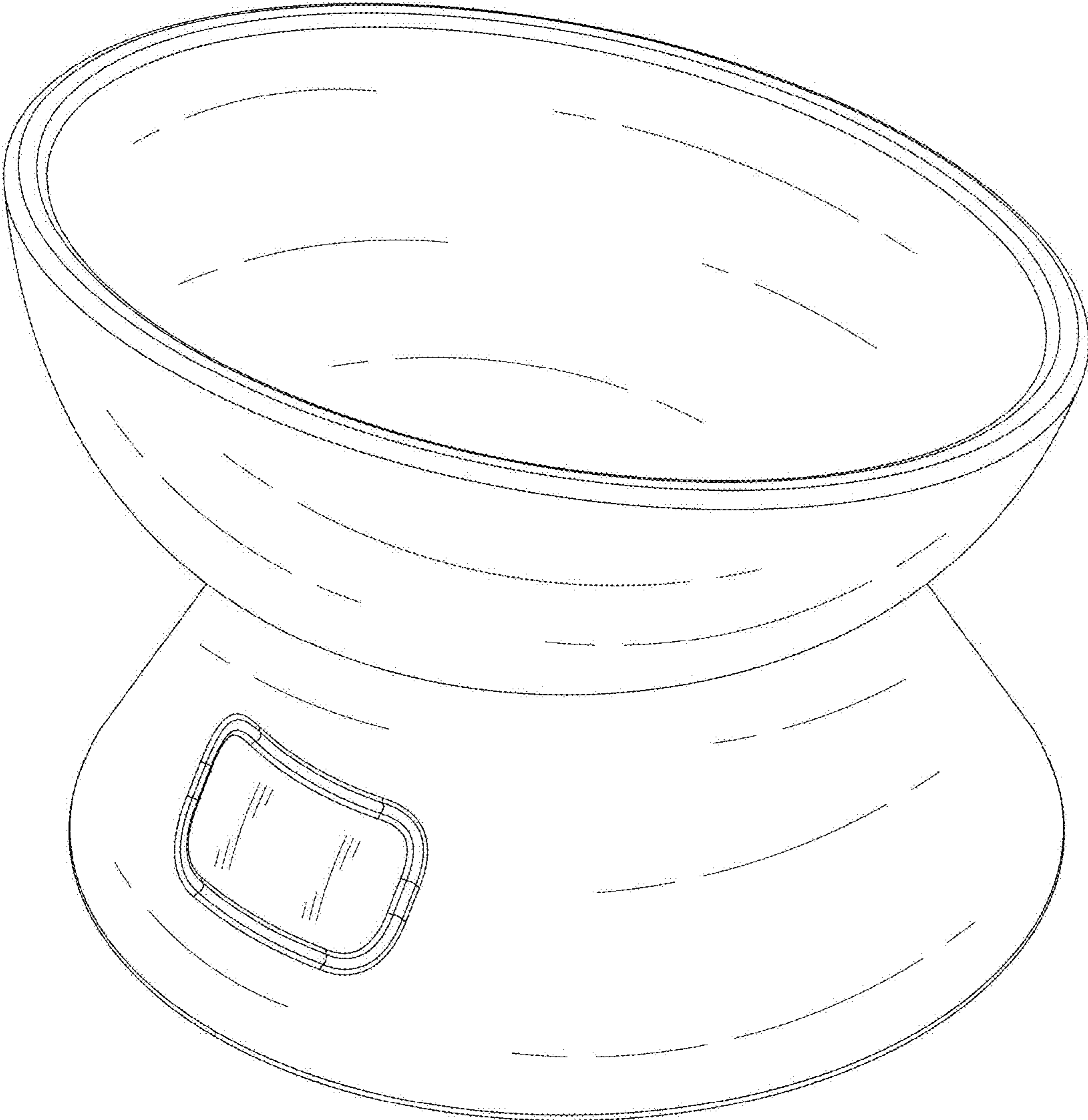


FIG. 1

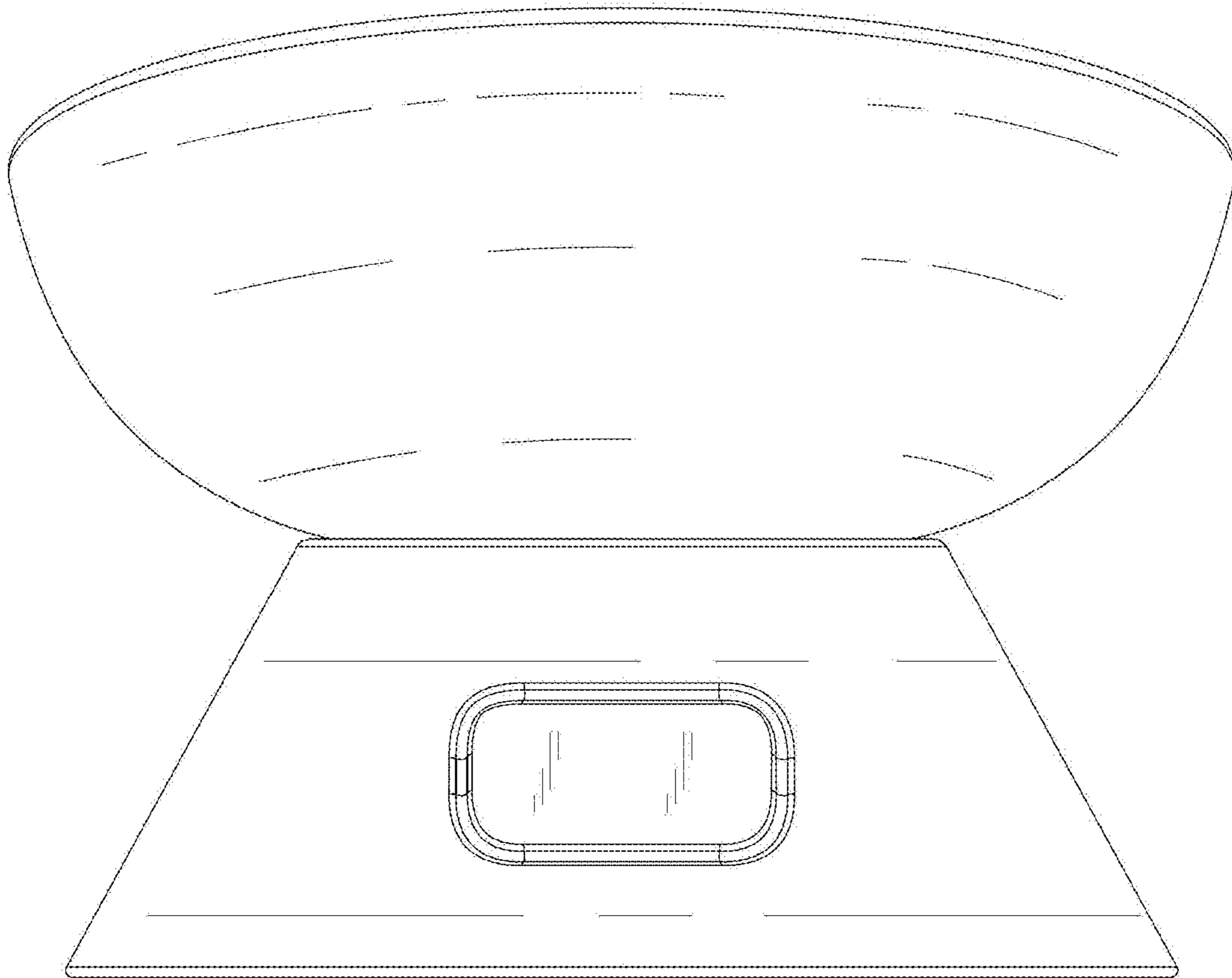


FIG. 2

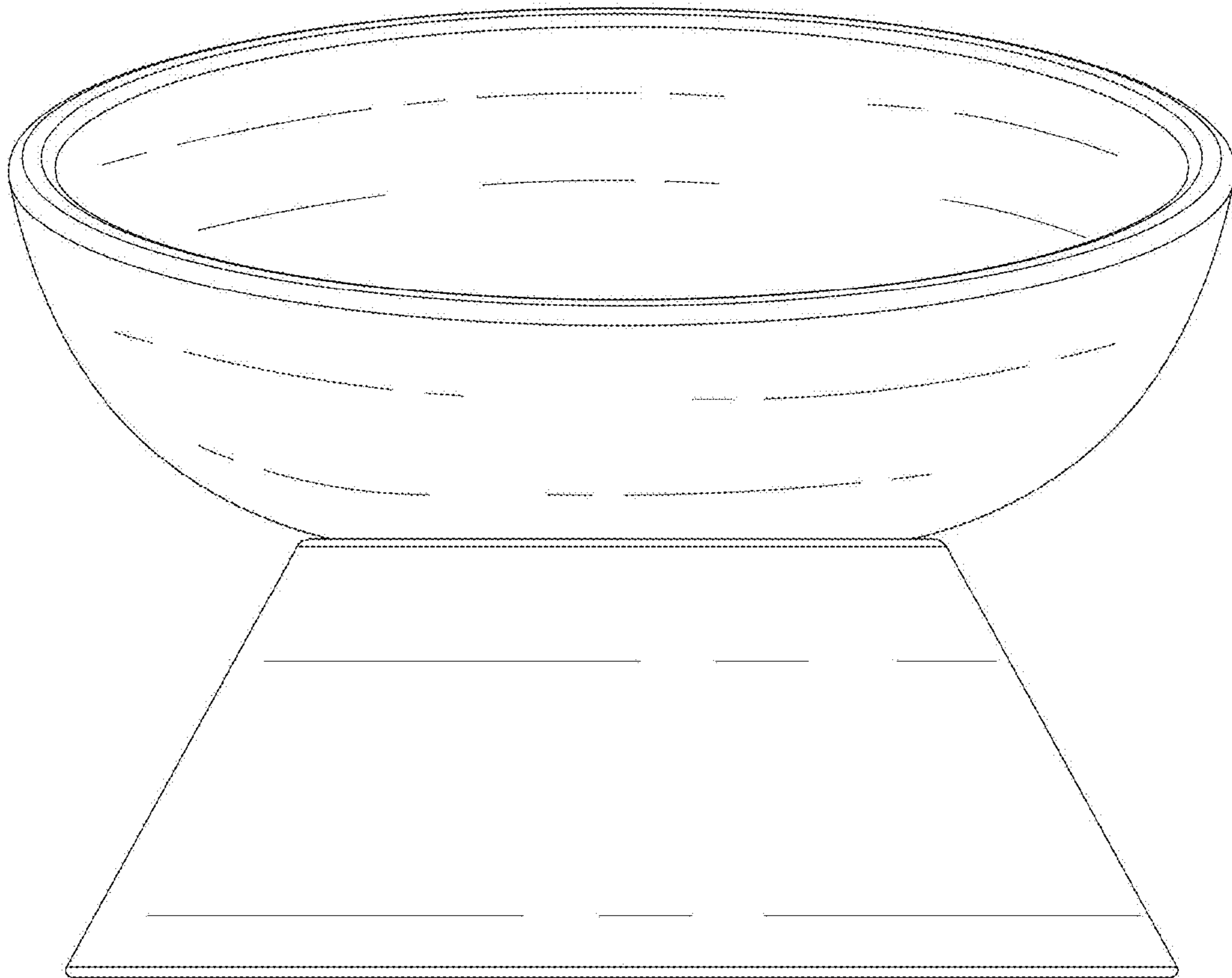


FIG. 3

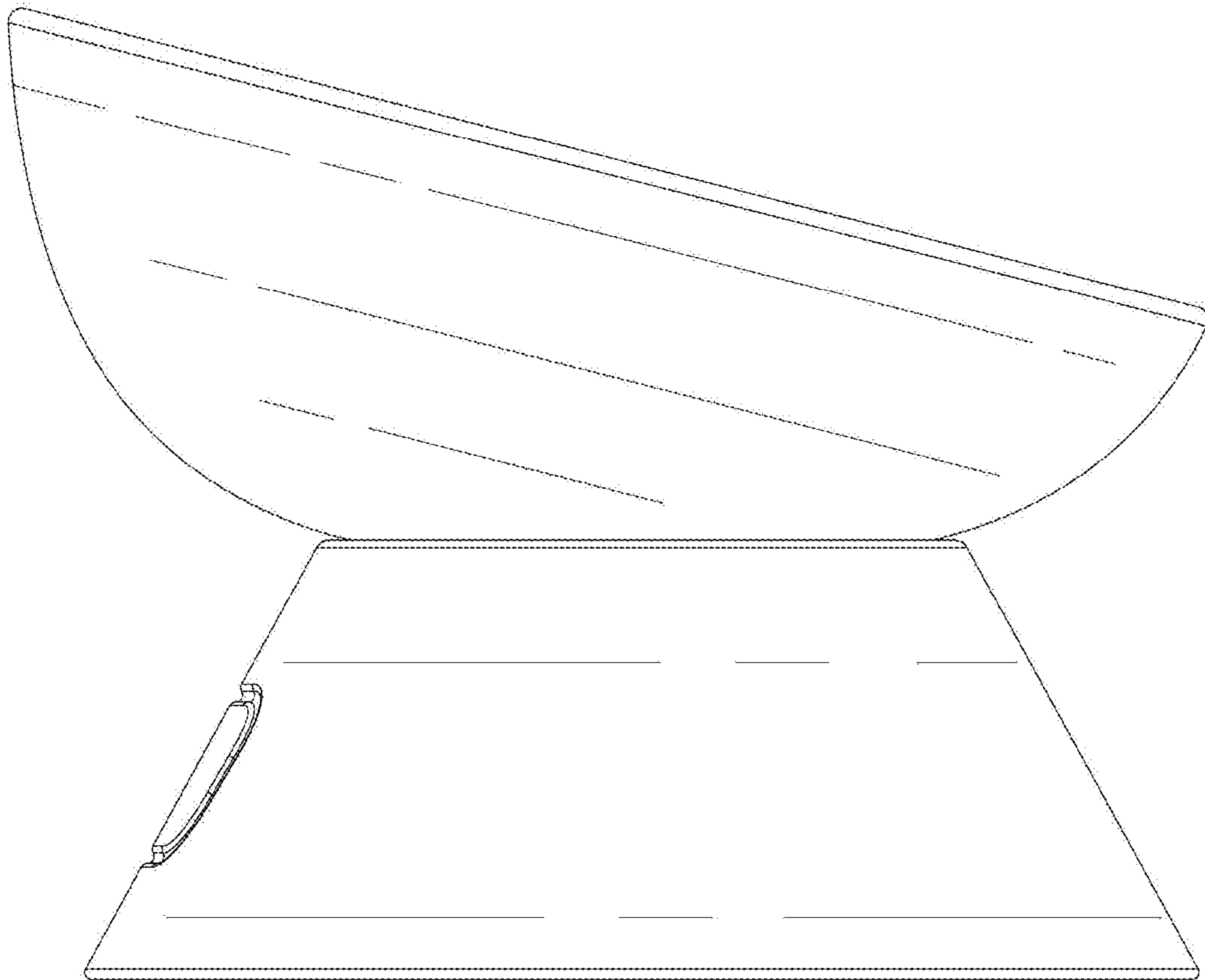


FIG. 4

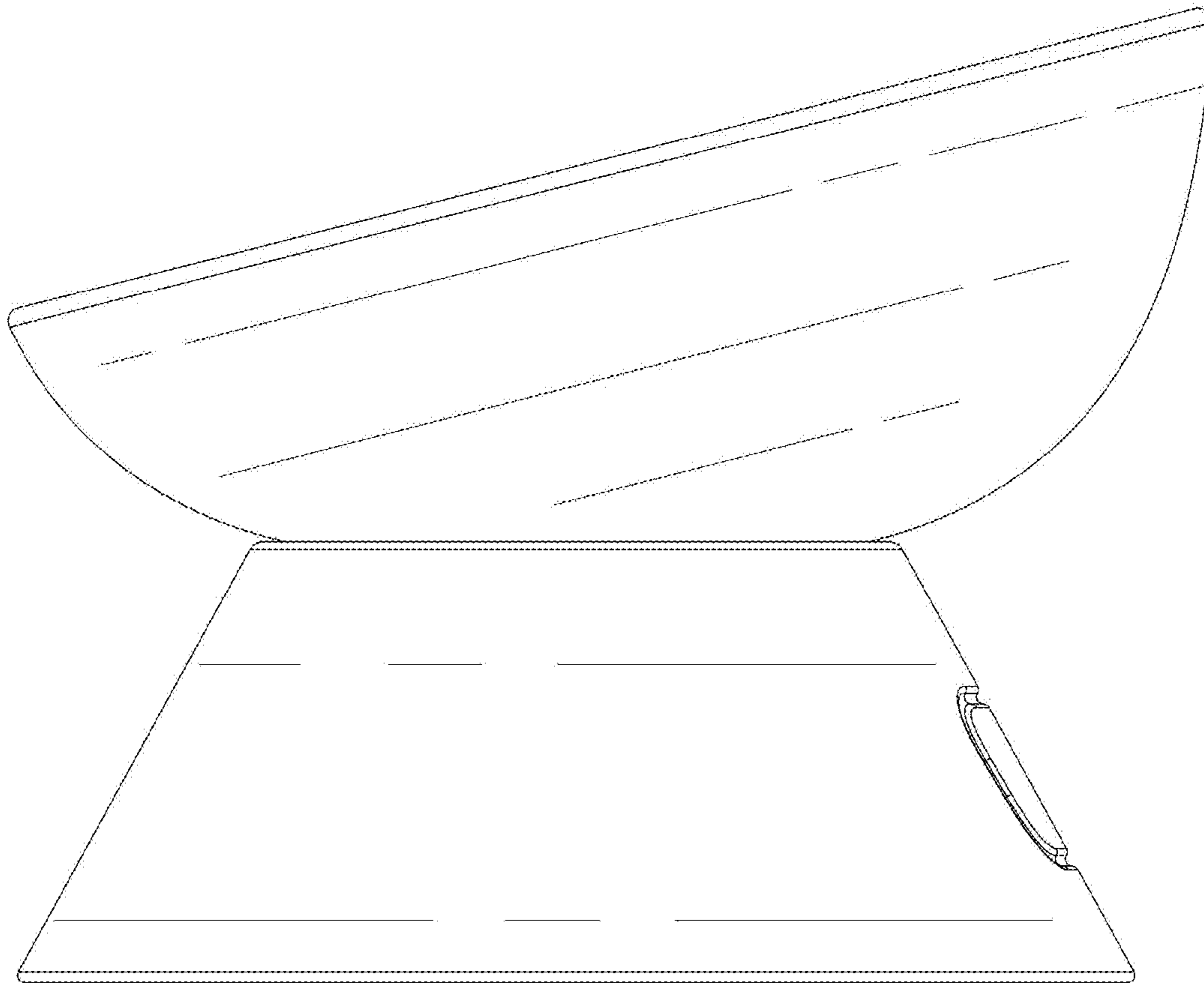


FIG. 5

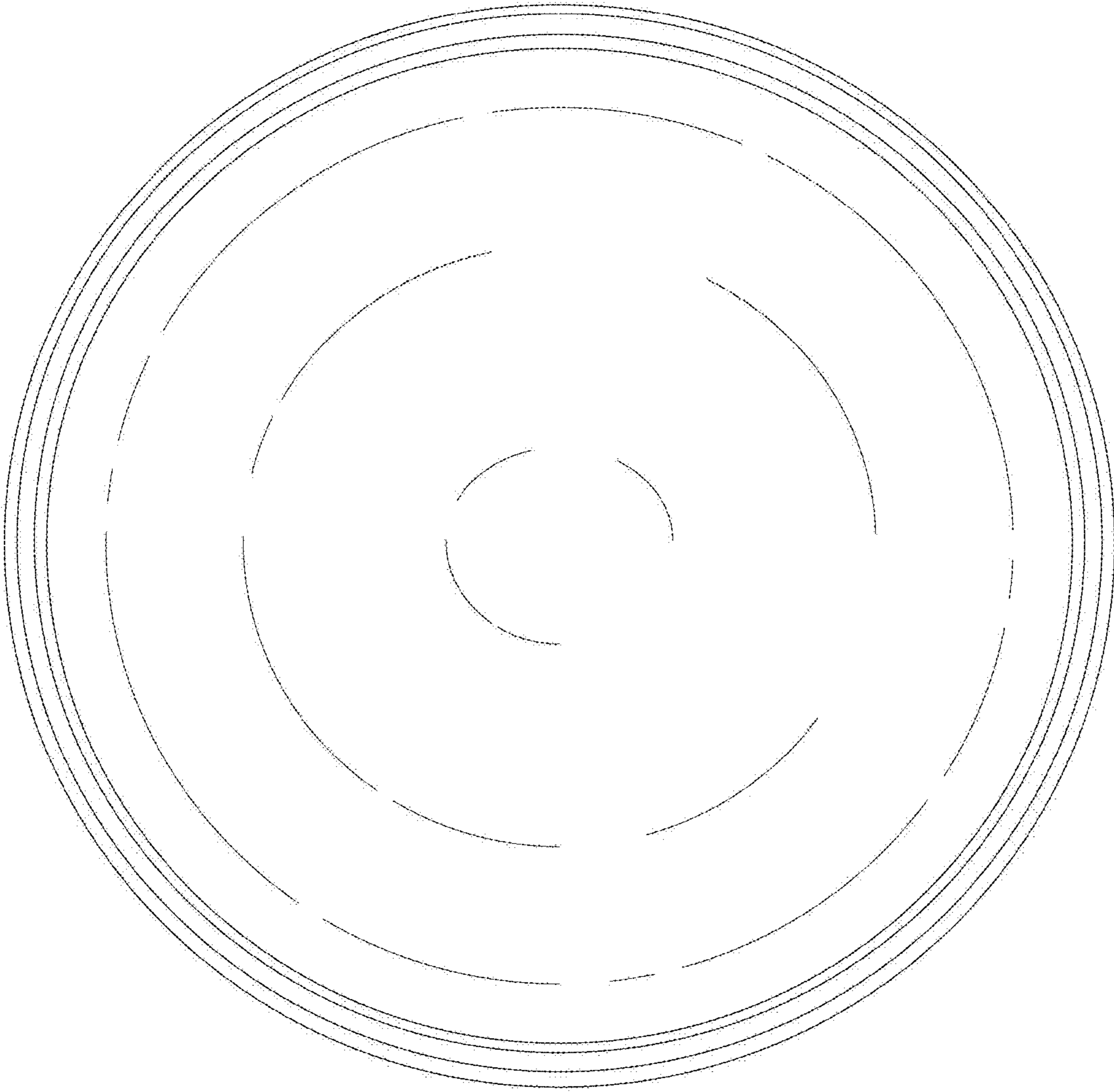


FIG. 6

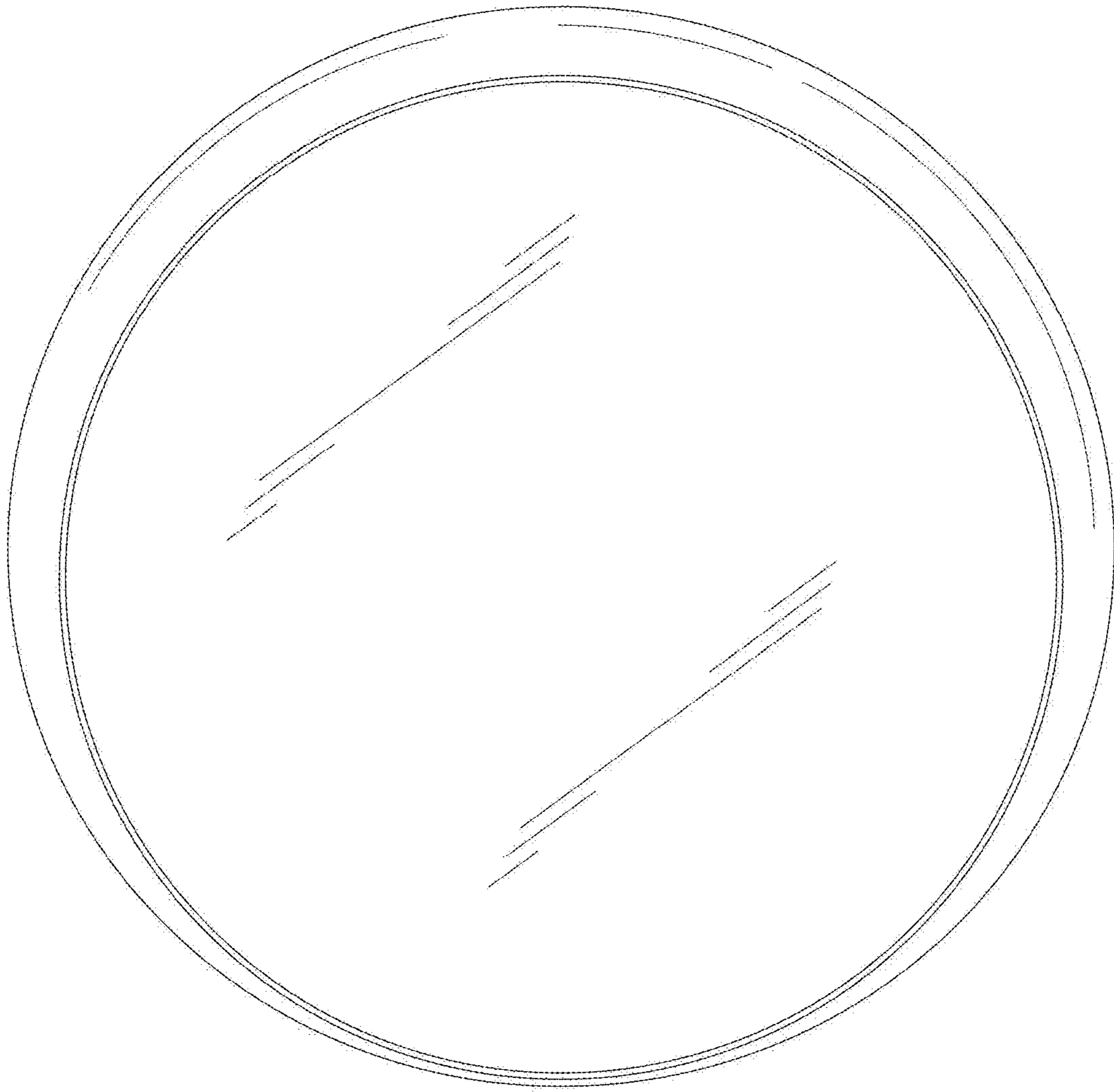


FIG. 7