



US00D924485S

(12) **United States Design Patent** (10) **Patent No.:** **US D924,485 S**
Costacurta (45) **Date of Patent:** **** Jul. 6, 2021**

(54) **HAIR REMOVAL DEVICE**
(71) Applicant: **Happy Skin Co Pty Ltd**, Prestons (AU)

D820,464 S * 6/2018 Gabriele D24/209
D860,534 S * 9/2019 Huang D28/44.1
D882,874 S * 4/2020 Peng D28/51
D899,688 S * 10/2020 Li D28/44.1
D904,634 S * 12/2020 Sedic D24/209

(72) Inventor: **Francesco Costacurta**, Sacile (IT)
(73) Assignee: **Happy Skin Co Pty Ltd**, Prestons (AU)

OTHER PUBLICATIONS

HappySkin Gen 2, www.us.happyskinco.com, reviewed as early as Dec. 2019, 1 page. (Year: 2019).*
Philips; Lumea IPL hair removal, https://www.philips.com.au/c-m-pe/hair-removal/lumea-ipl; Published Jul. 28, 2016 [Accessed from Internet Wayback Machine on Nov. 11, 2020].
Shavershop; Braun Silk Expert Pro 5 IPL Long Term Hair Removal Device, https://www.shavershop.com.au/braun/silk-expert-pro-5-ipl-long-term-hair-removal-device-010371.html; Published: Apr. 10, 2020 [Accessed from Internet Wayback Machine on Nov. 11, 2020].
Shavershop; Homedics Duo One IPL Long Term Hair Removal, https://www.shavershop.com.au/homedics/duo-one-ipl-long-term-hair-removal-010376.html; Published: Jul. 27, 2020 [Accessed from Internet Wayback Machine on Nov. 11, 2020].

(**) Term: **15 Years**

(21) Appl. No.: **29/706,505**

(22) Filed: **Sep. 20, 2019**

(30) **Foreign Application Priority Data**

Jul. 22, 2019 (AU) 201914095

(51) **LOC (13) Cl.** **28-03**

(52) **U.S. Cl.**
USPC **D28/44.1**; D24/209

(58) **Field of Classification Search**
USPC D28/44.1; D24/200, 209, 214
CPC A61B 18/203; A61B 18/00; A45D 26/00;
A45D 2200/205; A45D 2200/15-157
See application file for complete search history.

Primary Examiner — Jennifer Rivard
(74) *Attorney, Agent, or Firm* — Middleton Reutlinger

(57) **CLAIM**

The ornamental design for a hair removal device, as shown and described.

DESCRIPTION

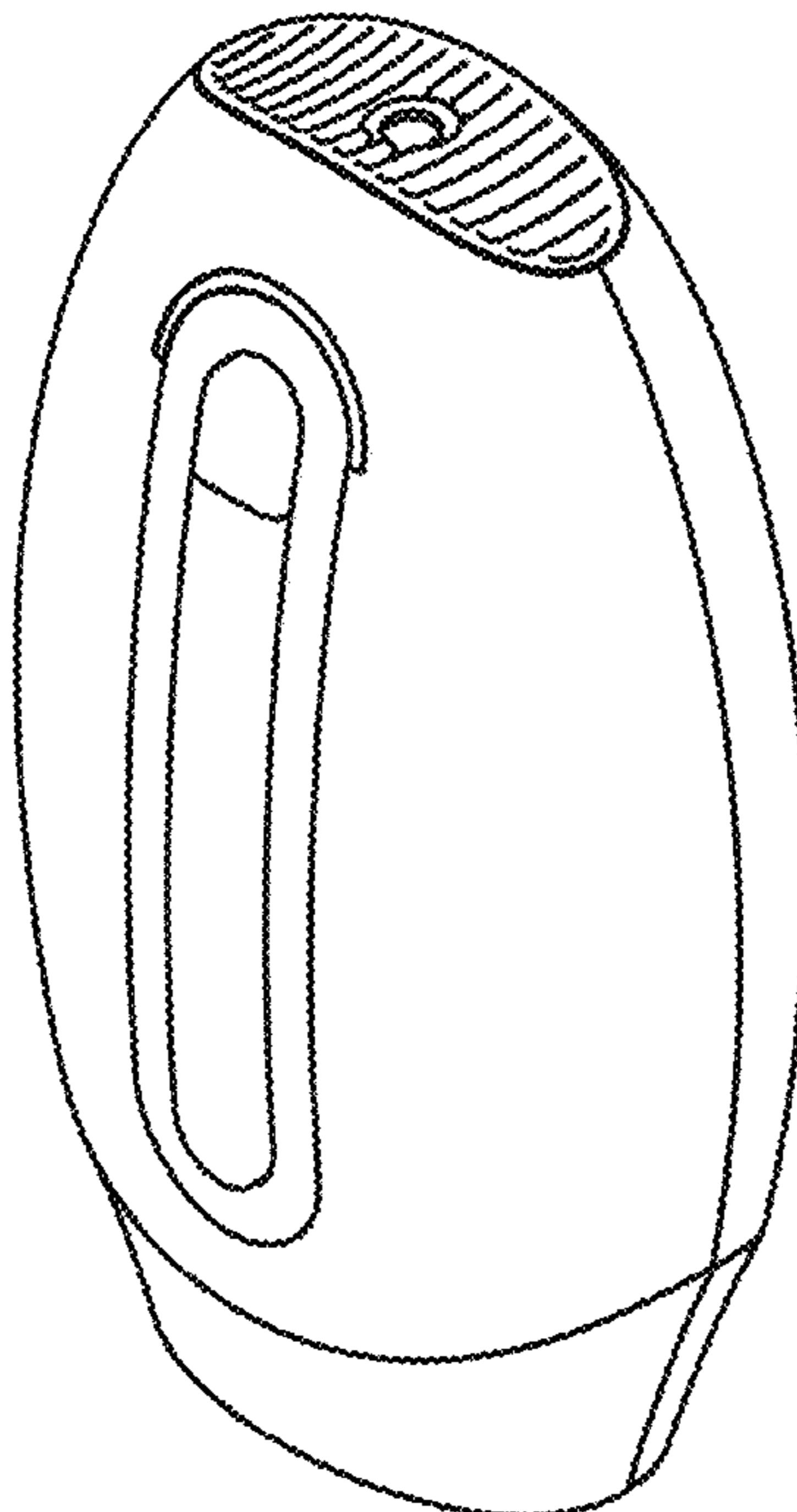
FIG. 1 is a perspective view of a hair removal device design; FIG. 2 is a front view of the design of FIG. 1; FIG. 3 is a rear view of the design of FIG. 1; FIG. 4 is a top view of the design of FIG. 1; FIG. 5 is a bottom view of the design of FIG. 1; FIG. 6 is a right side view of the design of FIG. 1; and, FIG. 7 is a left side view of the design of FIG. 1.

(56) **References Cited**

U.S. PATENT DOCUMENTS

D685,523 S * 7/2013 Buogo D28/44.1
D705,484 S * 5/2014 Bourgeois D28/44.1
D705,989 S * 5/2014 Levi D28/44.1
D705,992 S * 5/2014 Levi D28/44.1
D776,873 S * 1/2017 Levi D28/44.1
D789,604 S * 6/2017 Levi D28/44.1
D802,841 S * 11/2017 Kling D28/44.1

1 Claim, 7 Drawing Sheets



(56)

References Cited

OTHER PUBLICATIONS

Shavershop; Remington i-Light Compact Control IPL Long Term Hair Removal Device, <https://www.shavershop.com.au/remington/i-light-compact-control-ipl-long-term-hair-removal-device-010288.html>; Published Mar. 1, 2020 [Accessed from Internet Wayback Machine on Nov. 11, 2020].

Shavershop; SmoothSkin Bare IPL Long Term Hair Removal Device—Blue, <https://www.shavershop.com.au/smoothskin/bare-ipl-long-term-hair-removal-device---blue-009899.html>; Published Apr. 11, 2020 [Accessed from Internet Wayback Machine on Nov. 11, 2020].

Australian Patent Application No. 201914095 filed Jul. 22, 2019 titled Hair Removal Device.

* cited by examiner

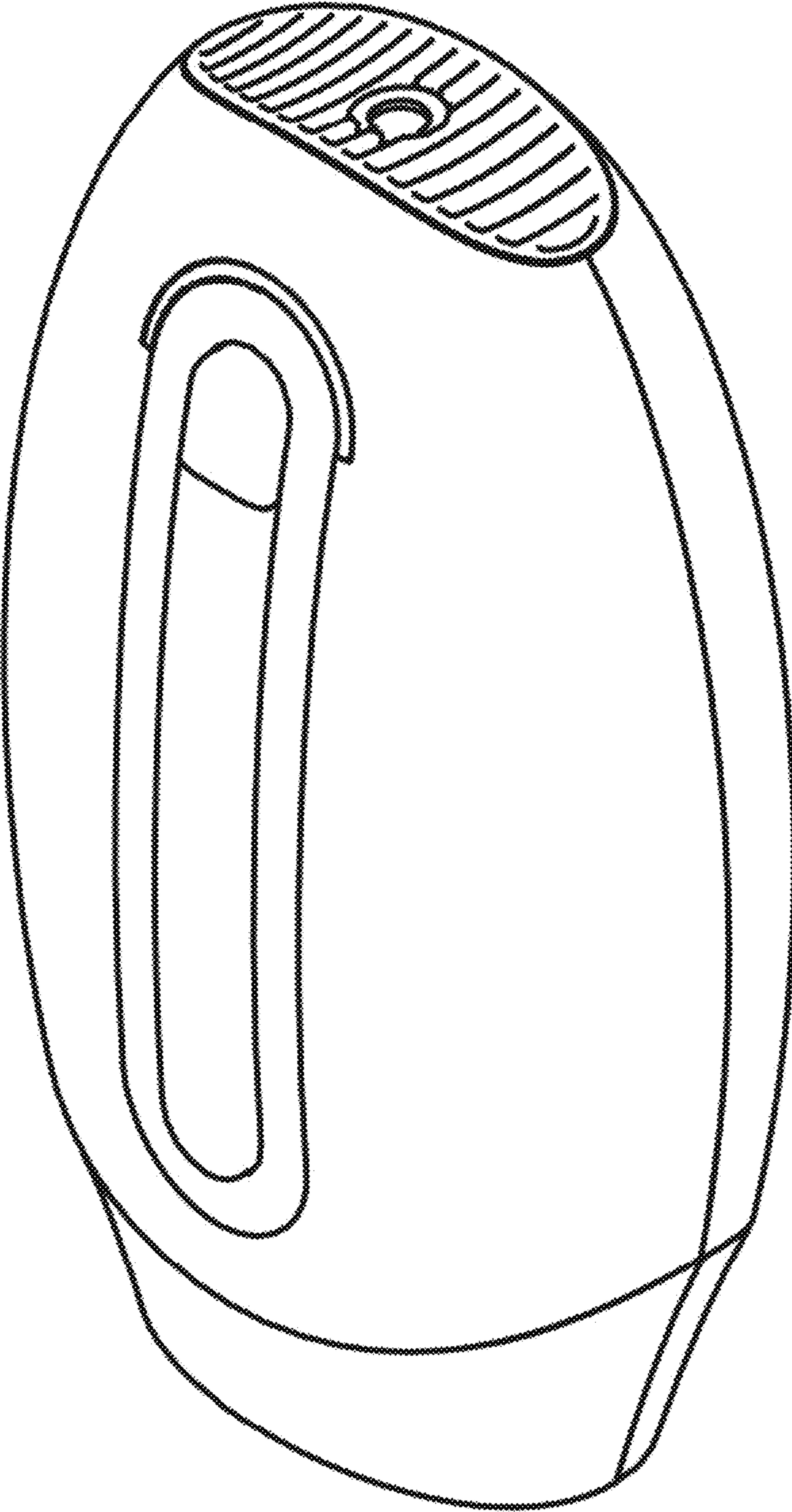


FIG. 1

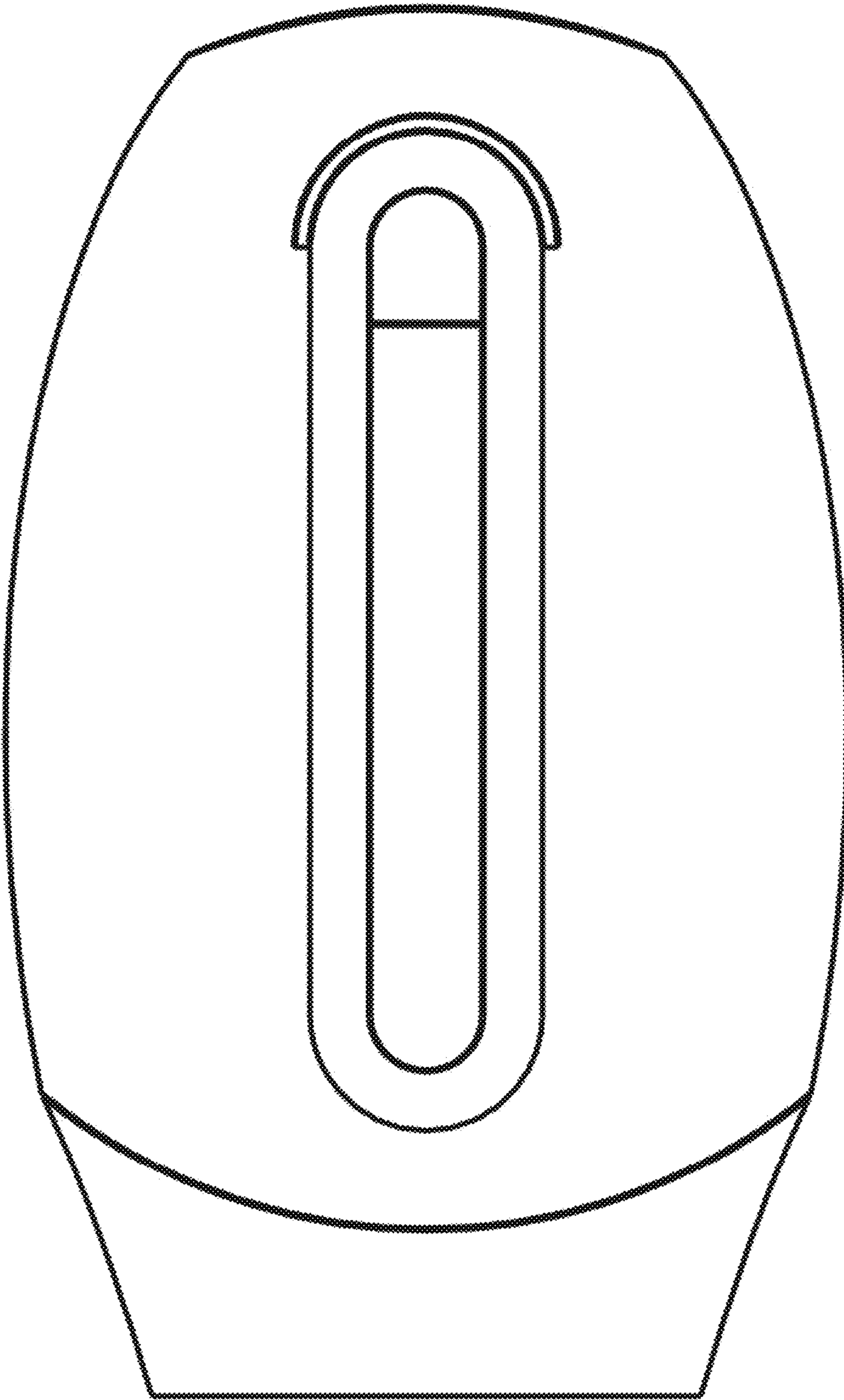


FIG. 2

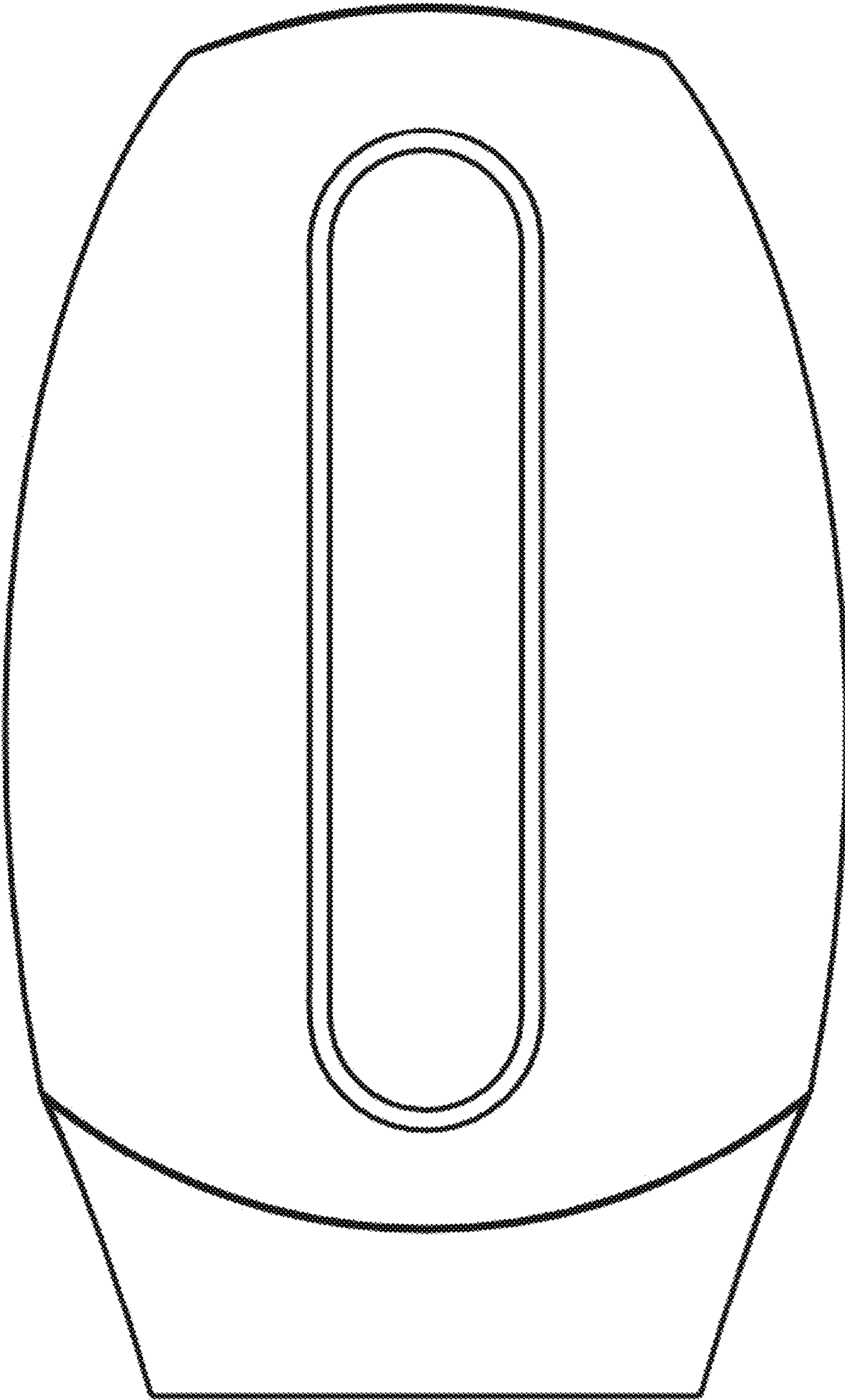


FIG. 3

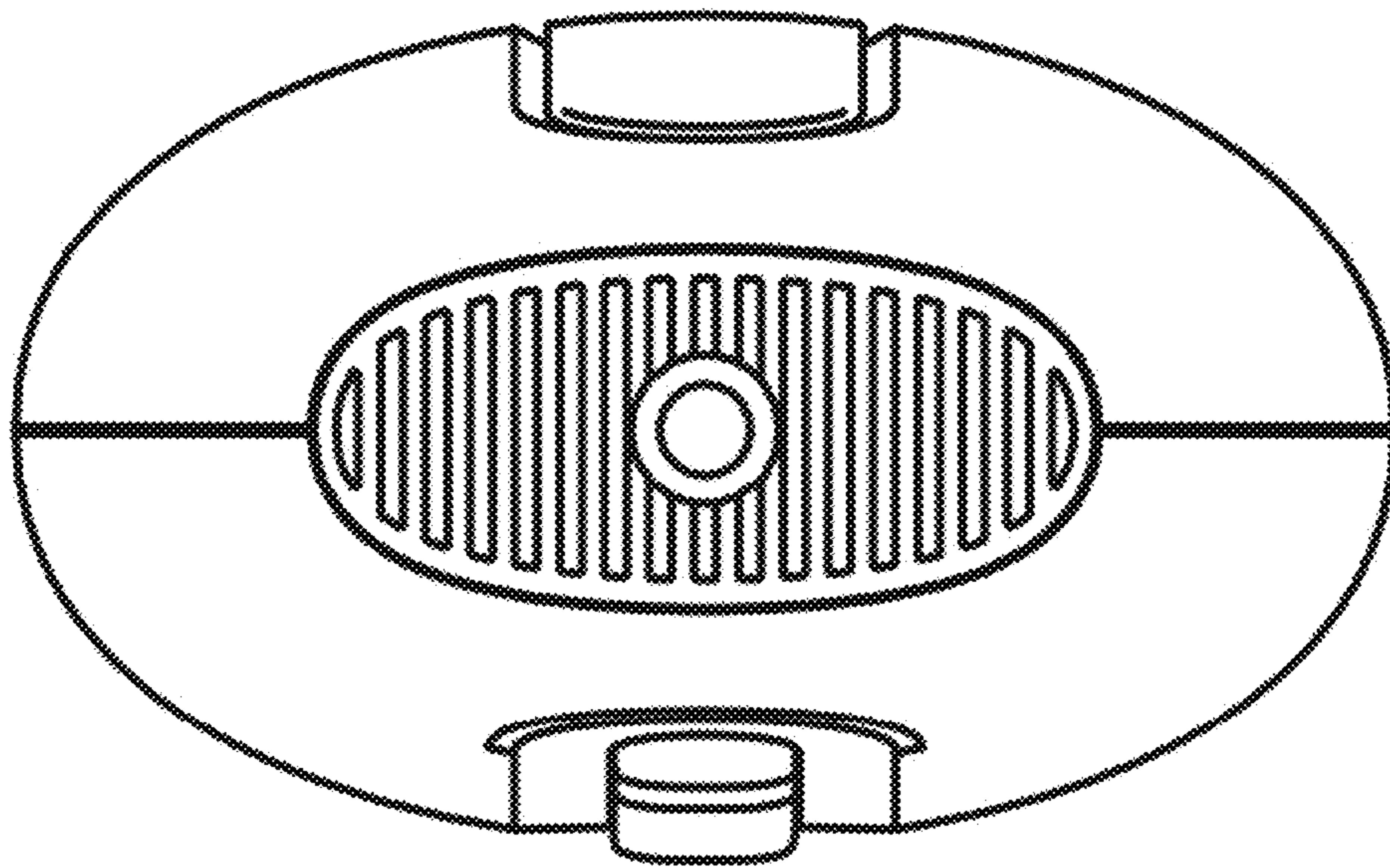


FIG. 4

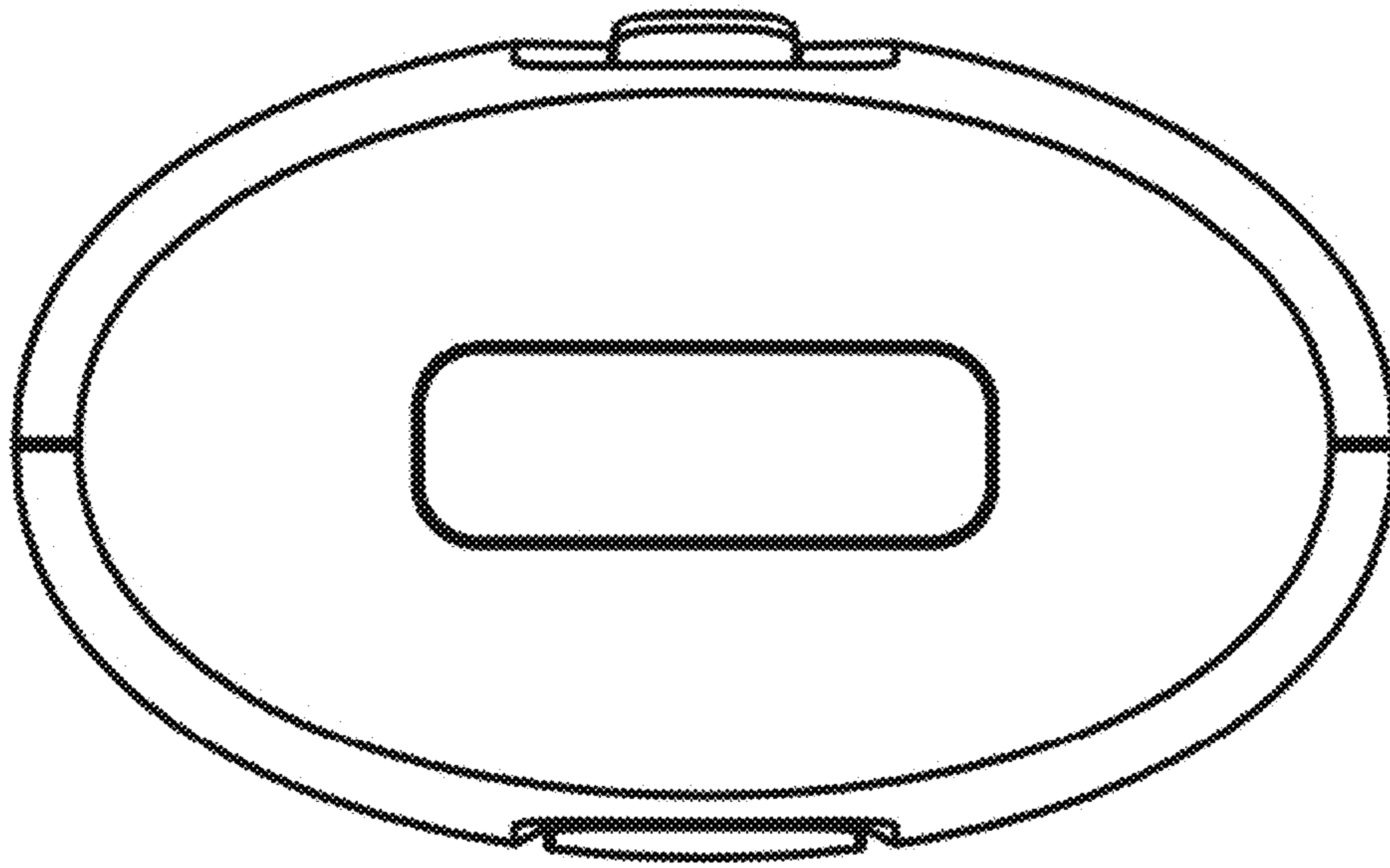


FIG. 5

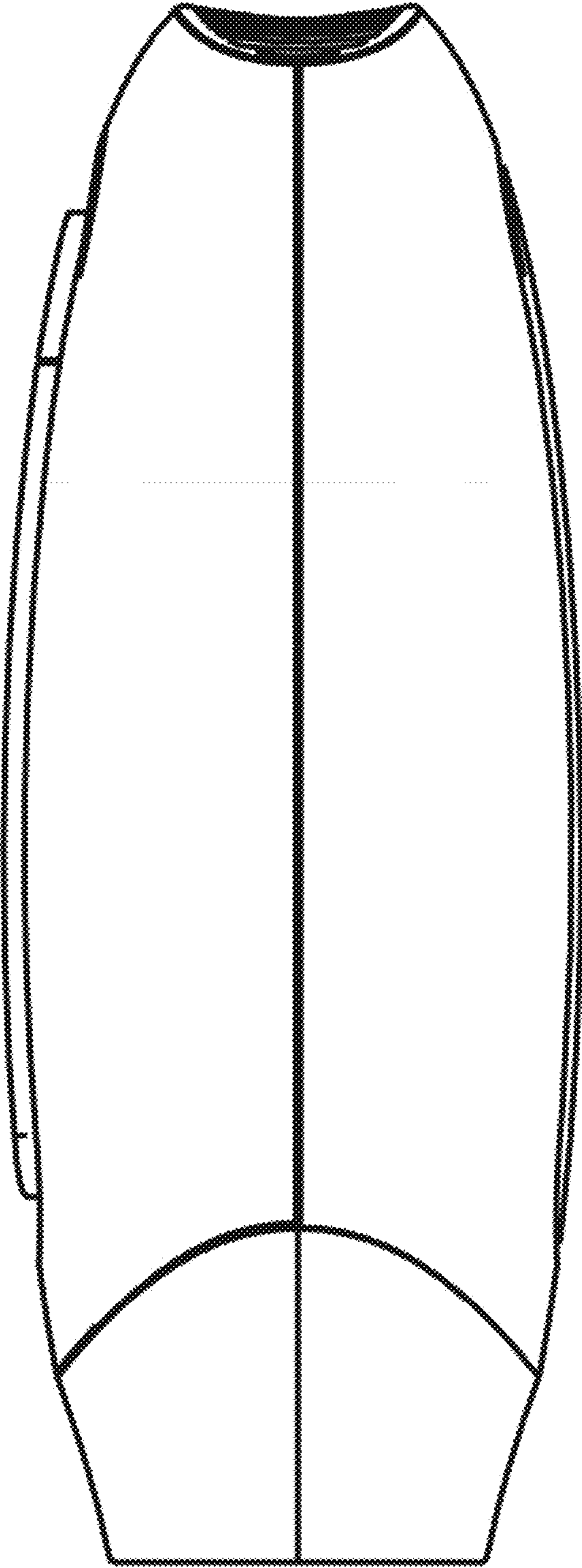


FIG. 6

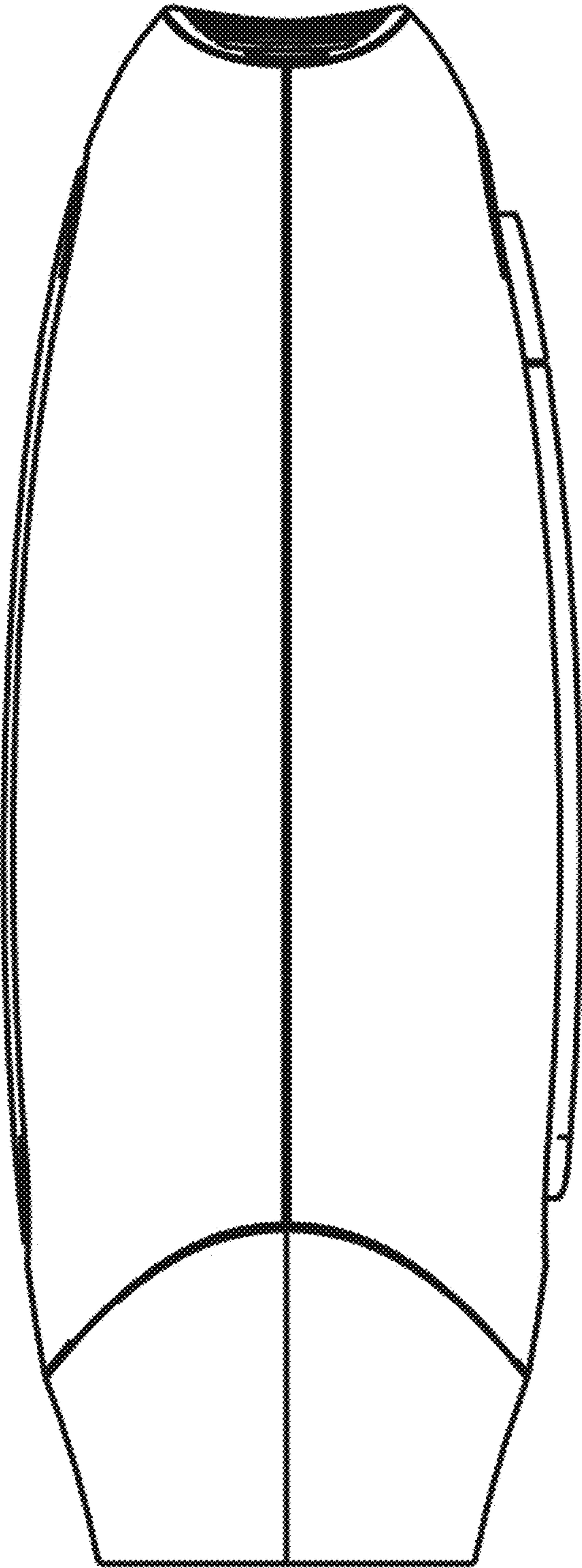


FIG. 7