



US00D924484S

(12) **United States Design Patent** (10) **Patent No.:** **US D924,484 S**  
**Cooper** (45) **Date of Patent:** **\*\* Jul. 6, 2021**

(54) **HAIR STYLING APPARATUS**  
(71) Applicant: **Paradoxx Ltd**, Belfast (GB)  
(72) Inventor: **Yolanda Cooper**, Belfast (GB)  
(73) Assignee: **PARADOXX LTD**, Belfast (GB)  
(\*\*) Term: **15 Years**

(21) Appl. No.: **29/701,001**  
(22) Filed: **Aug. 7, 2019**  
(51) **LOC (13) Cl.** ..... **28-03**  
(52) **U.S. Cl.**  
USPC ..... **D28/35**  
(58) **Field of Classification Search**  
USPC ..... D28/10, 35, 37, 38  
(Continued)

(56) **References Cited**  
**U.S. PATENT DOCUMENTS**  
5,223,694 A 6/1993 Tsuji et al.  
D609,400 S \* 2/2010 Yang ..... D28/35  
(Continued)

**FOREIGN PATENT DOCUMENTS**  
CN 203182248 9/2013  
CN 203692792 9/2014  
(Continued)

**OTHER PUBLICATIONS**  
We Are Paradoxx SUPERNOVA Cordless 3-in-1 Hair Tool\_ Amazon.  
co.uk\_ Luxury Beauty, first available on Nov. 22, 2019 on amazon.  
com, retrieved on Nov. 16, 2020, retrieved from the Internet URL:  
<https://www.amazon.co.uk/Paradoxx-SUPERNOVA-Cordless-Hair-Tool/dp/B07ZTSP62V>.  
(Continued)

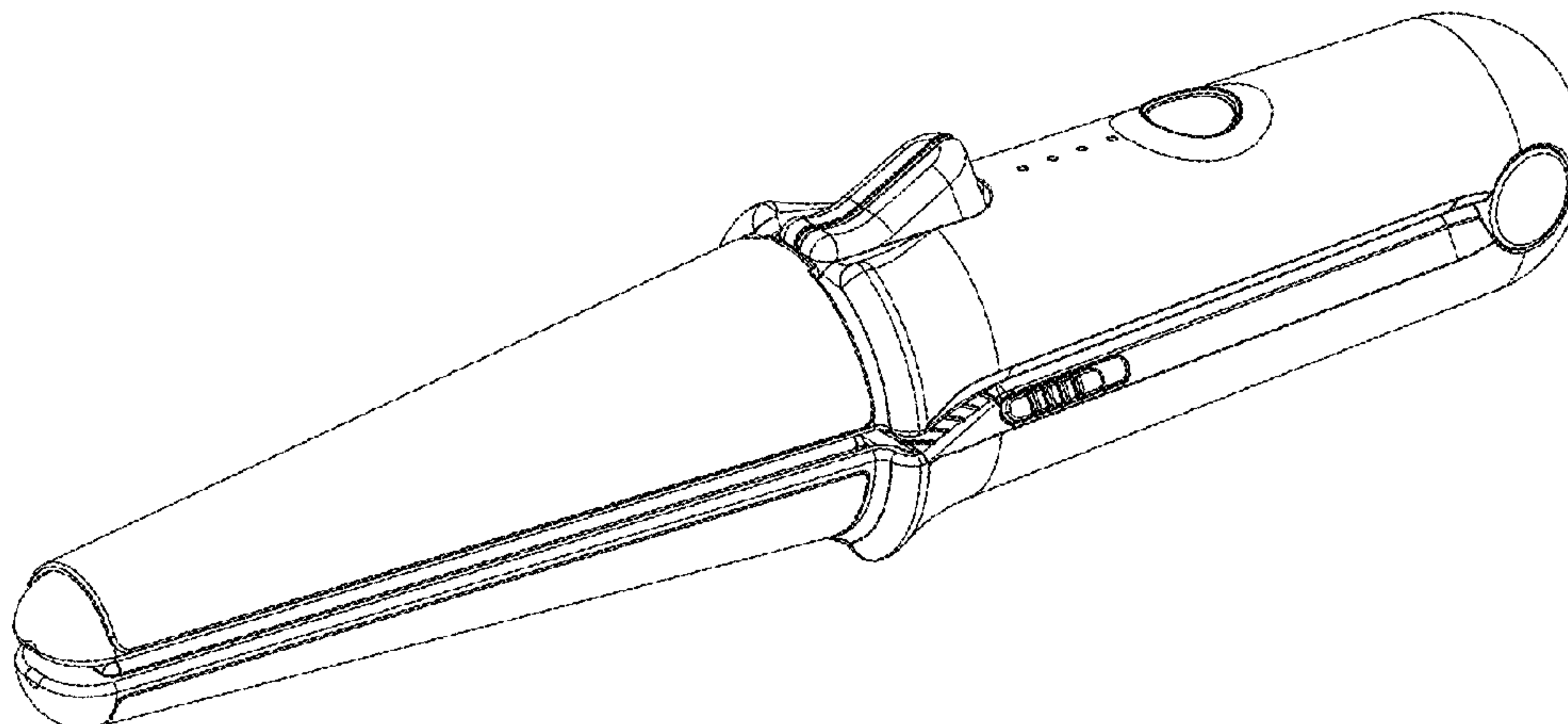
*Primary Examiner* — Jennifer Rivard  
*Assistant Examiner* — Alison M Ofstun

(74) *Attorney, Agent, or Firm* — Preston Smirman;  
Smirman IP Law, PLLC

(57) **CLAIM**  
I claim the ornamental design for a hair styling apparatus, as shown and described.

**DESCRIPTION**  
FIG. 1 is a front perspective view of a hair styling apparatus, showing my design, shown in a closed position of use;  
FIG. 2 is a top view thereof;  
FIG. 3 is a bottom view thereof;  
FIG. 4 is a right side view thereof;  
FIG. 5 is a left side view thereof;  
FIG. 6 is a front view thereof;  
FIG. 7 is a rear view thereof;  
FIG. 8 is a front perspective view thereof, shown with the jaws in a closed position and the tong in an open position of use;  
FIG. 9 is a top view thereof;  
FIG. 10 is a bottom view thereof;  
FIG. 11 is a right side view thereof;  
FIG. 12 is a left side view thereof;  
FIG. 13 is a front view thereof;  
FIG. 14 is a rear view thereof;  
FIG. 15 is a front perspective view thereof, shown with the jaws in an open position and the tong in a closed position of use;  
FIG. 16 is a top view thereof;  
FIG. 17 is a bottom view thereof;  
FIG. 18 is a right side view thereof;  
FIG. 19 is a left side view thereof;  
FIG. 20 is a front view thereof;  
FIG. 21 is a rear view thereof;  
FIG. 22 is a front perspective view thereof, shown with the jaws and tong in an open position of use;  
FIG. 23 is a top view thereof;  
FIG. 24 is a bottom view thereof;  
FIG. 25 is a right side view thereof;  
FIG. 26 is a left side view thereof;  
FIG. 27 is a front view thereof; and,  
FIG. 28 is a rear view thereof.

(Continued)



In the drawings, the broken lines represent portions of the article which form no part of the claimed design.

**1 Claim, 28 Drawing Sheets**

**(58) Field of Classification Search**

CPC ..... A45D 2/00; A45D 2/001; A45D 2/002;  
 A45D 2/02; A45D 2/04; A45D 2/06;  
 A45D 2/08; A45D 2/10; A45D 2/12–22;  
 A45D 2/24–34; A45D 2/36–367; A45D  
 1/00; A45D 1/04

See application file for complete search history.

**(56) References Cited**

U.S. PATENT DOCUMENTS

D780,374	S *	2/2017	Yu .....	D28/35
D791,408	S *	7/2017	Brady .....	D28/35
D804,725	S *	12/2017	Yue .....	D28/35
D865,287	S *	10/2019	Feng .....	D28/35
10,799,005	B1 *	10/2020	Ashkenazi .....	A45D 1/10
D901,770	S *	11/2020	Wang .....	D28/35
D901,771	S *	11/2020	Huang .....	D28/35
2006/0076032	A1 *	4/2006	Fung .....	A45D 1/06 132/224
2011/0259356	A1 *	10/2011	Barton .....	A45D 1/04 132/227

2012/0111357	A1 *	5/2012	Amkie .....	A45D 1/04 132/230
2012/0138081	A1 *	6/2012	Lee .....	A45D 1/06 132/232
2017/0013931	A1 *	1/2017	Chen .....	A45D 1/28

FOREIGN PATENT DOCUMENTS

CN	205923297	2/2017
CN	206295034	7/2017

OTHER PUBLICATIONS

Introducing Supernova Cordless 3 in 1 Hair Tool \_ We Are Paradoxx—YouTube, published on Oct. 30, 2019, retrieved on Nov. 16, 2020, retrieved from the Internet URL: <https://www.youtube.com/watch?v=5ULf3y8Fc90&app=desktop>.\*

English Abstract of CN205923297.

English Abstract of CN203182248.

English Abstract of CN203692792.

English Abstract of CN206295034.

International Search Report dated Jun. 3, 2019 for PCT/EP2019/052435.

Written Opinion of the International Searching Authority dated Jun. 3, 2019 for PCT/EP2019/052435.

International Preliminary Report on Patentability dated June 24, 2020 for PCT/EP2019/052435.

\* cited by examiner

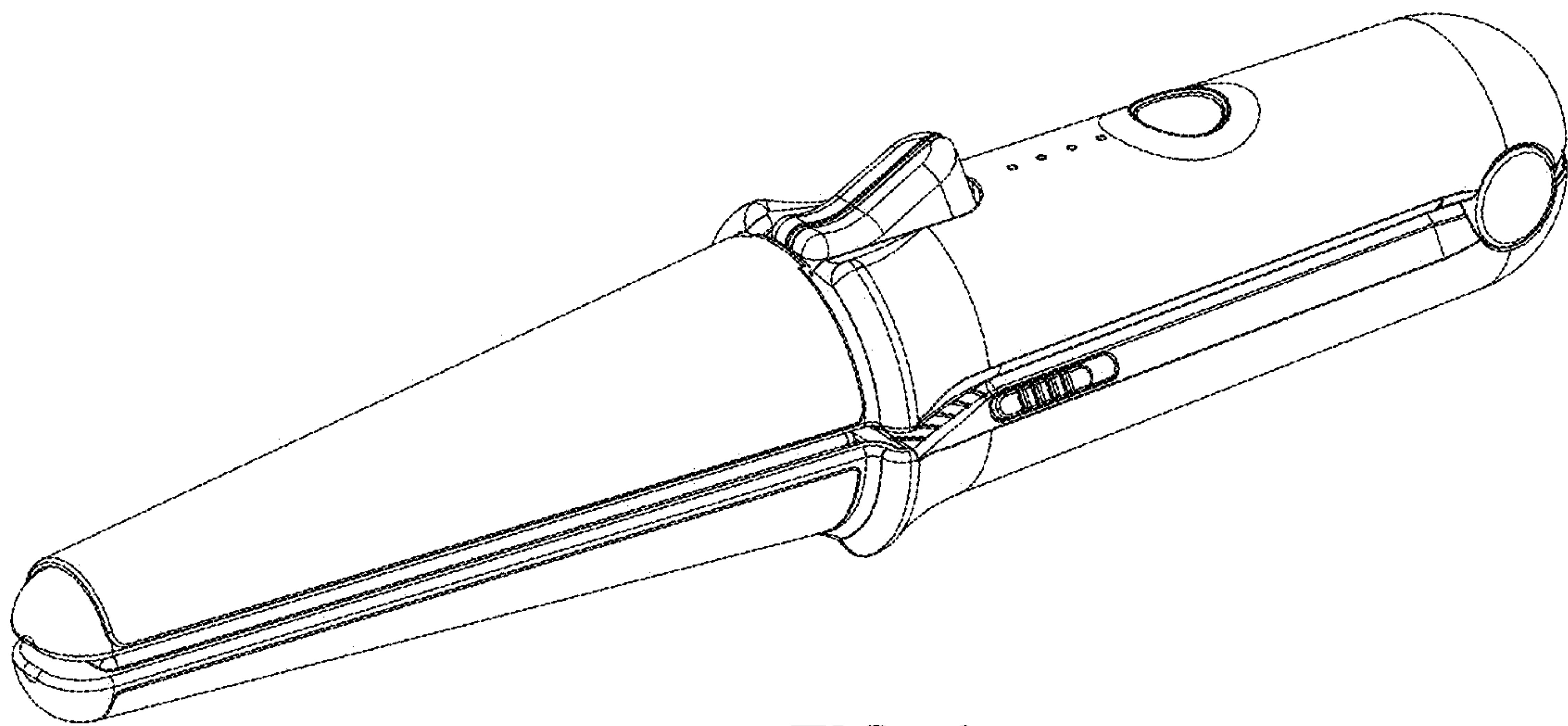


FIG. 1

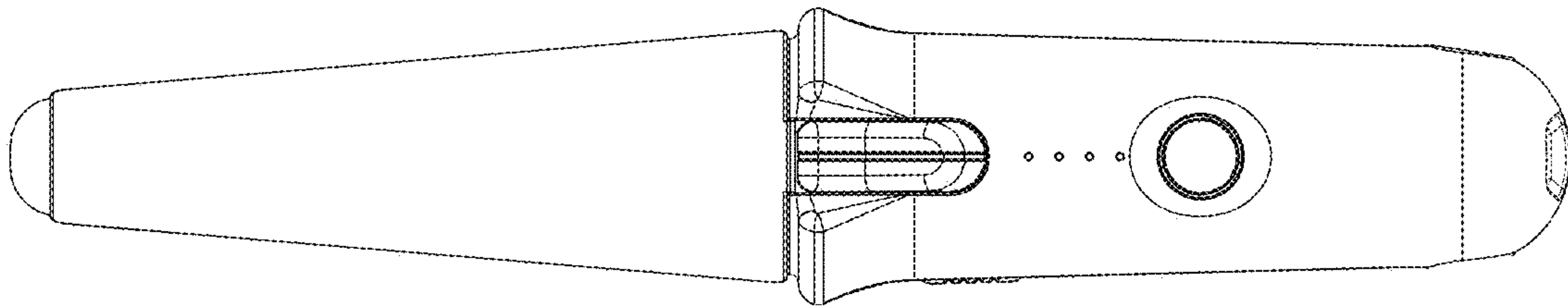
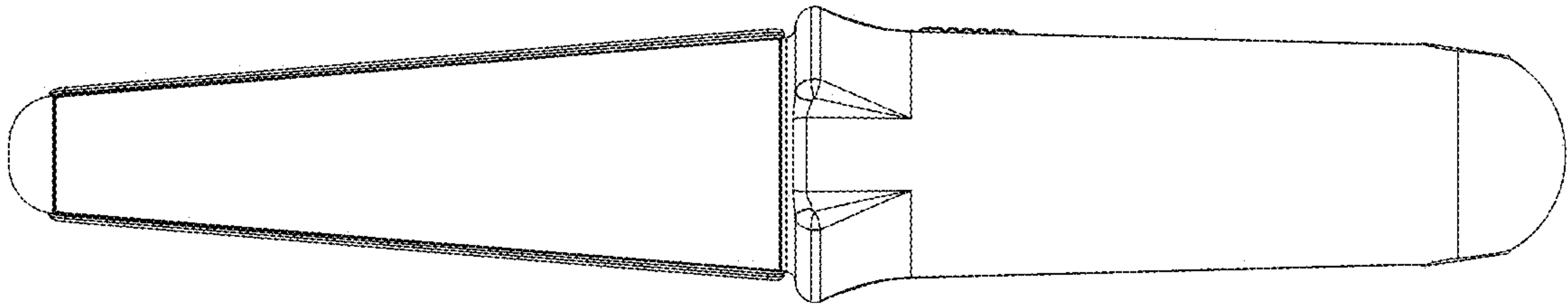
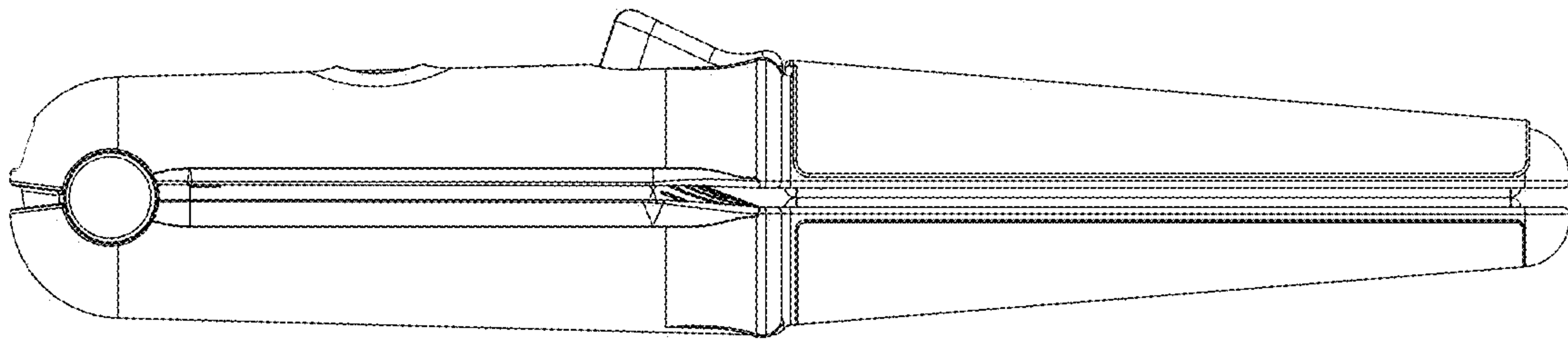


FIG. 2



**FIG. 3**



**FIG. 4**



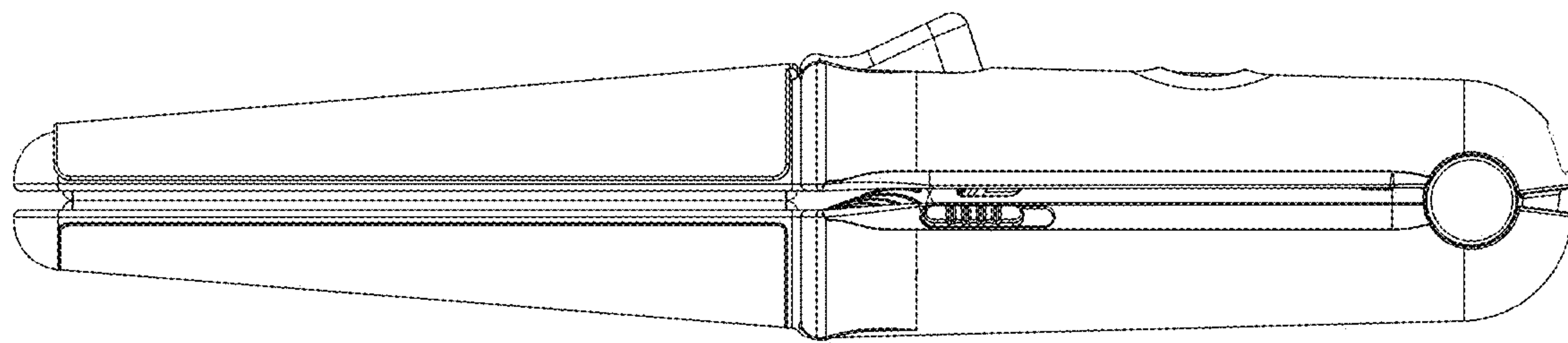
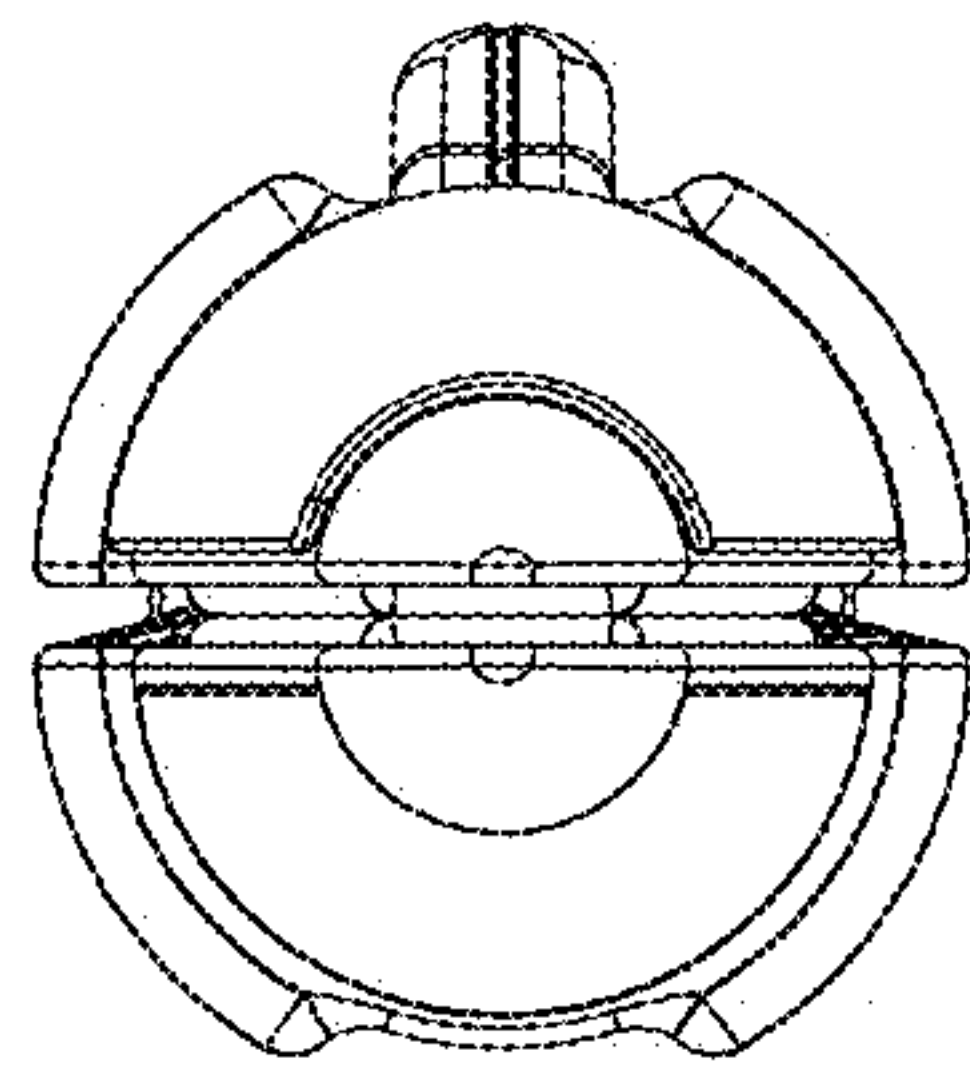
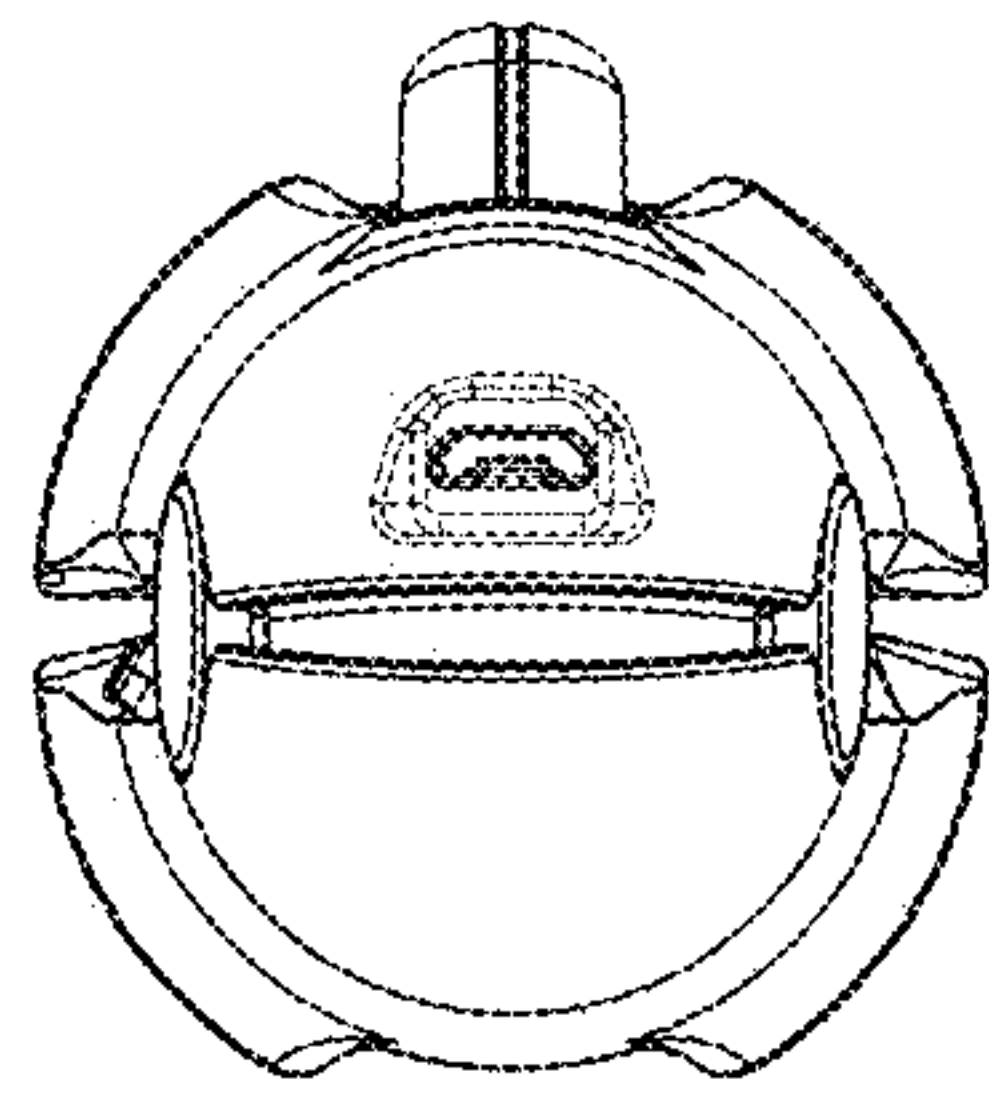


FIG. 5

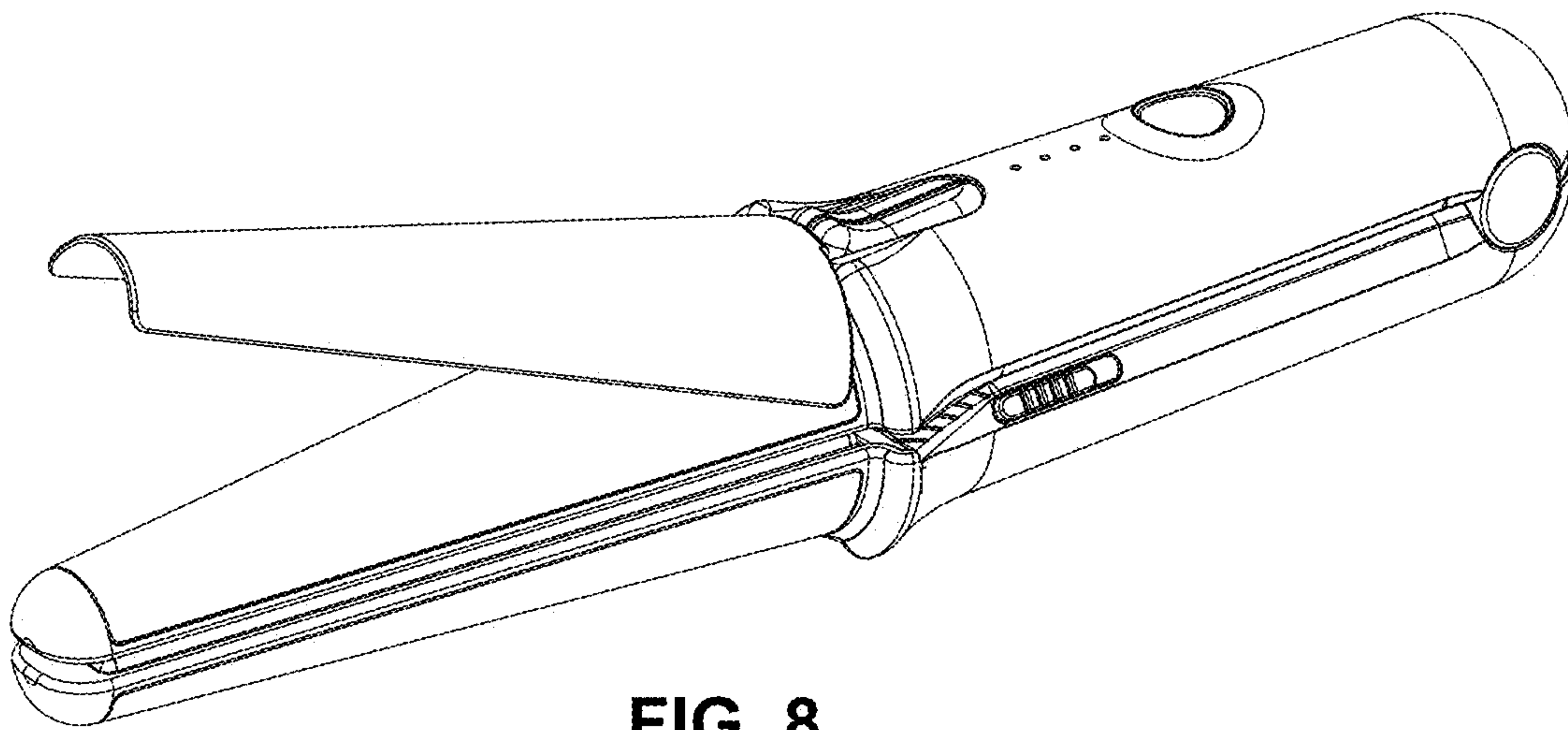


**FIG. 6**

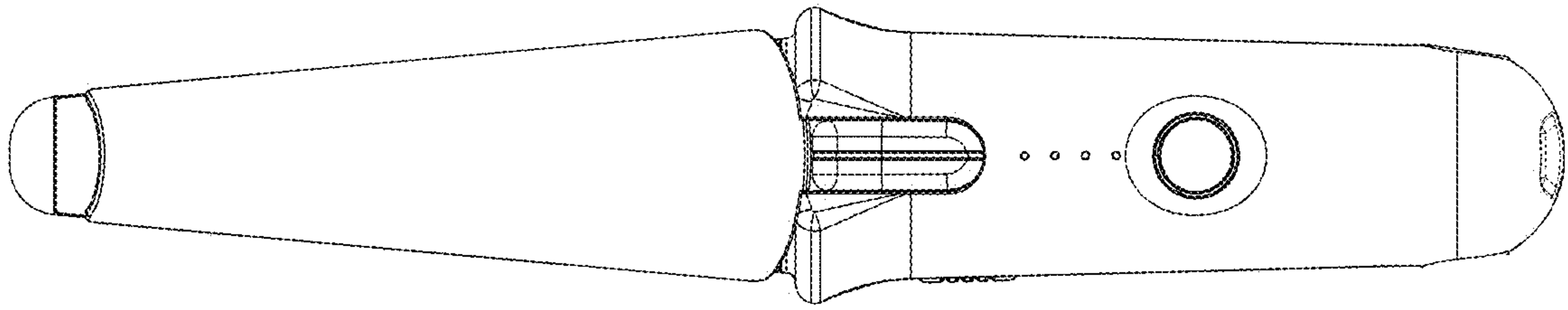




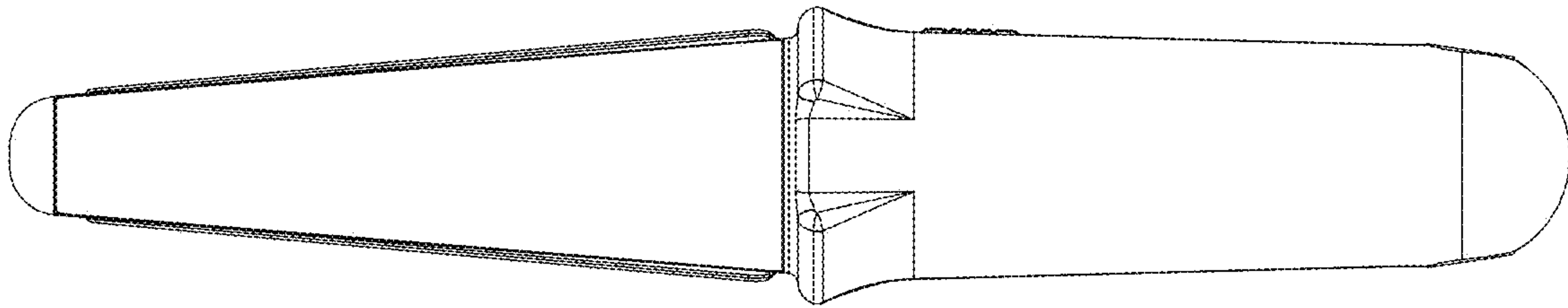
**FIG. 7**



**FIG. 8**



**FIG. 9**



**FIG. 10**

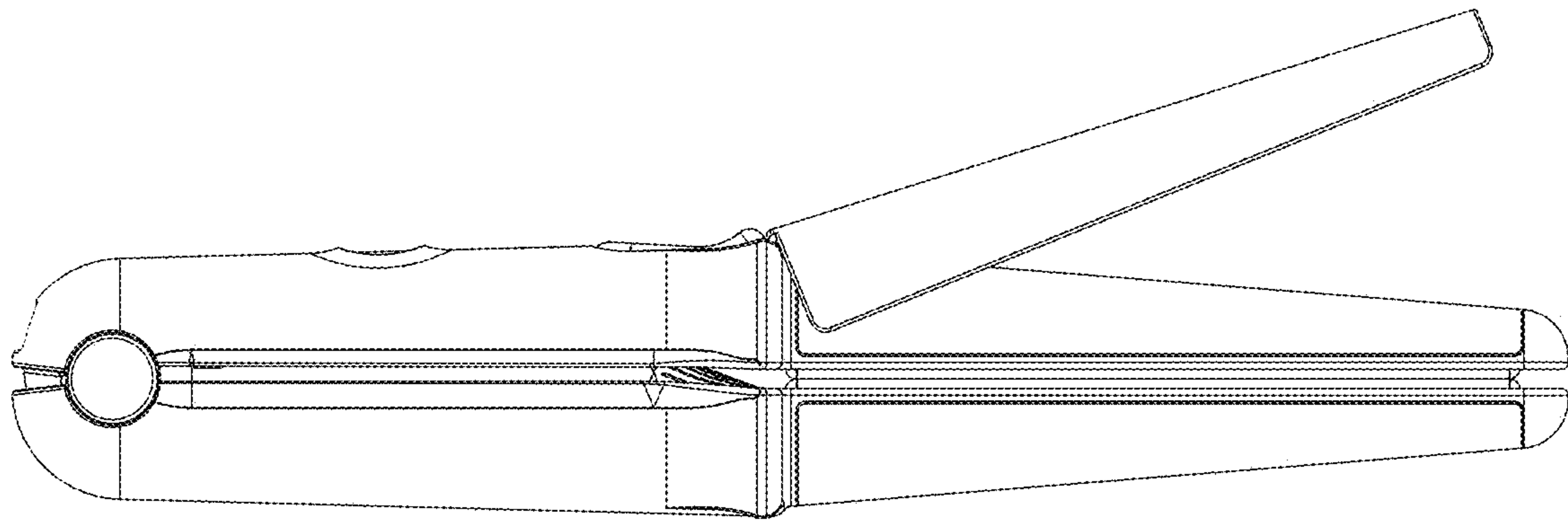


FIG. 11

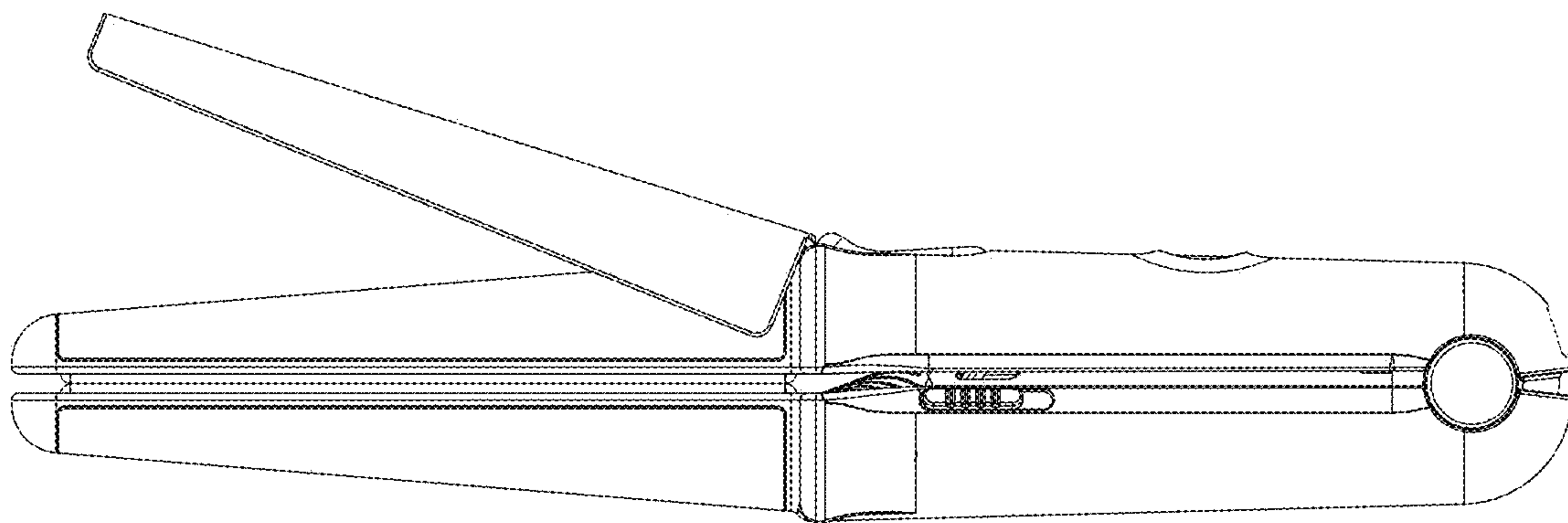
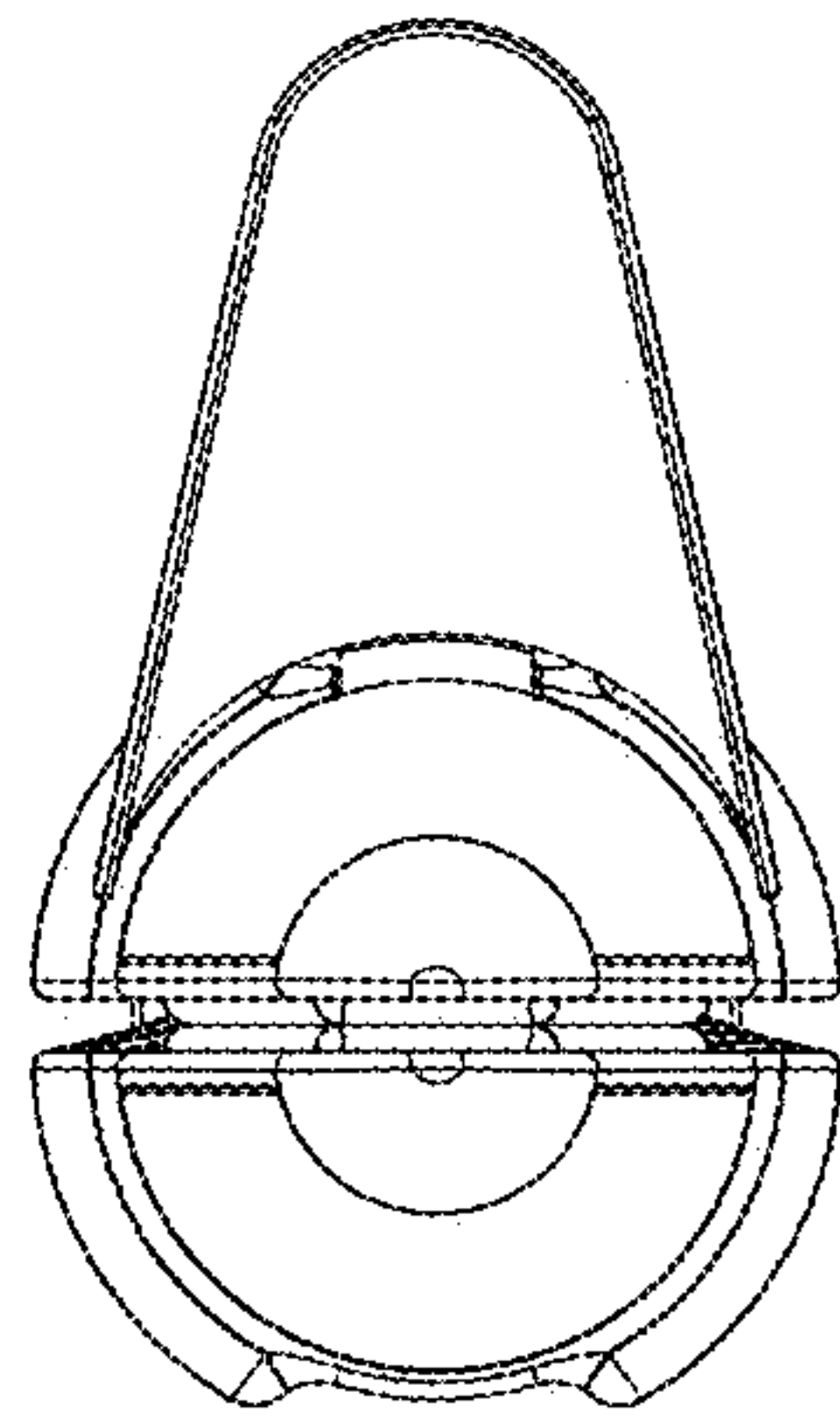
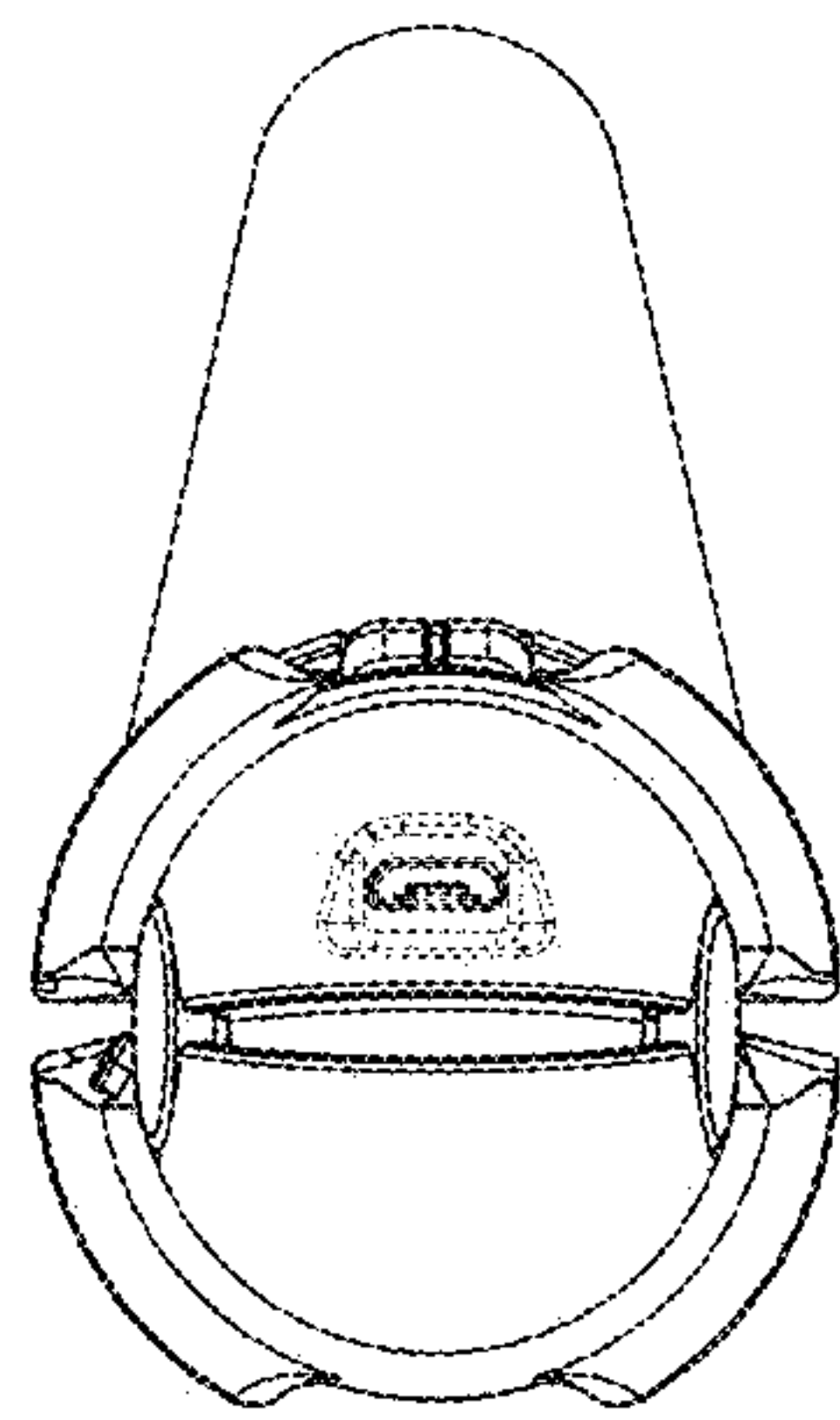


FIG. 12



**FIG. 13**





**FIG. 14**

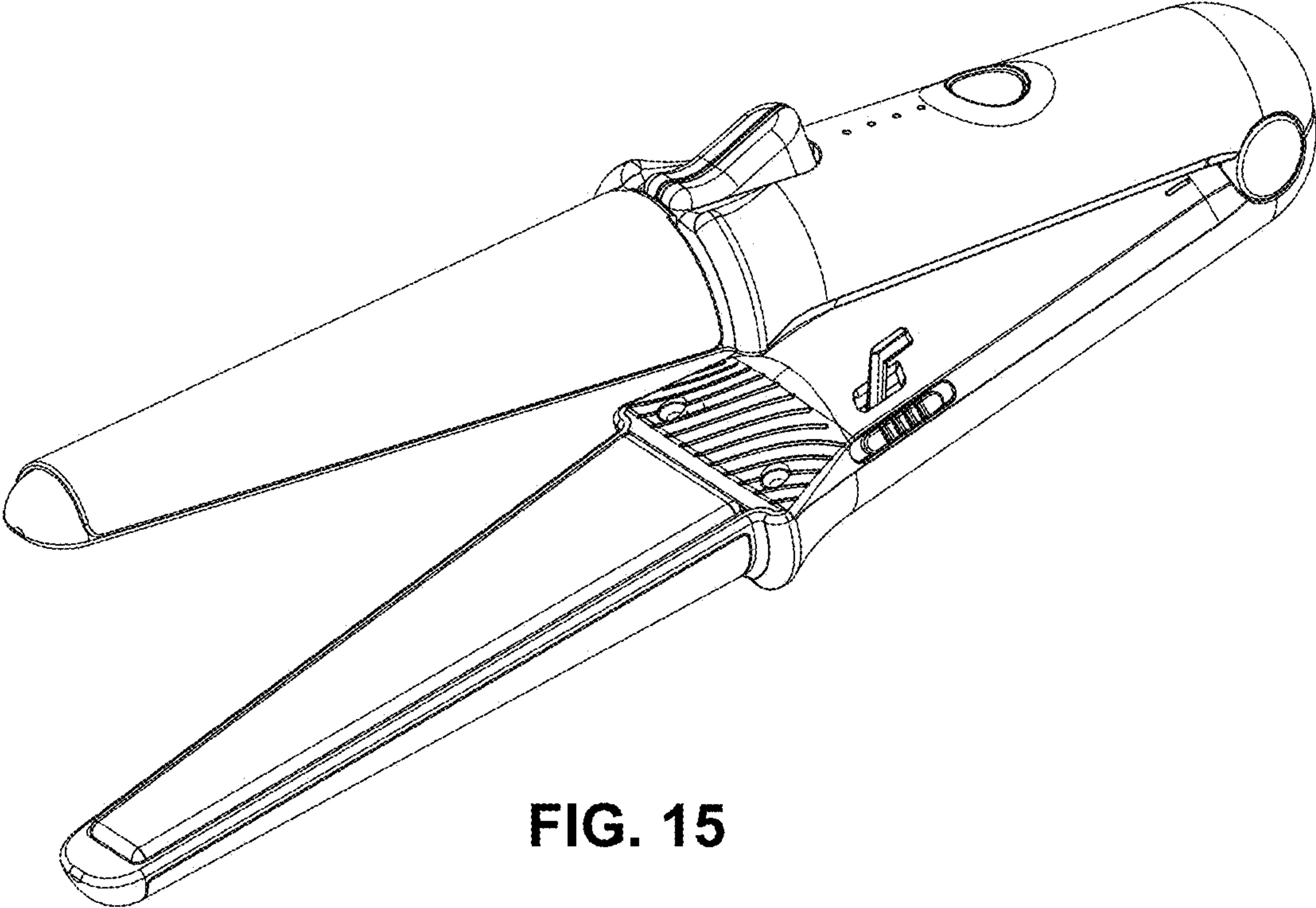


FIG. 15

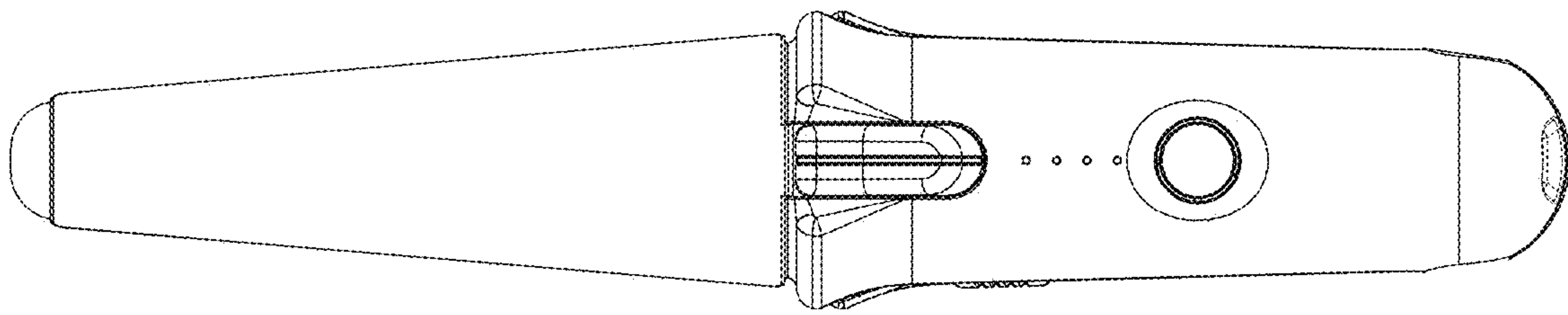
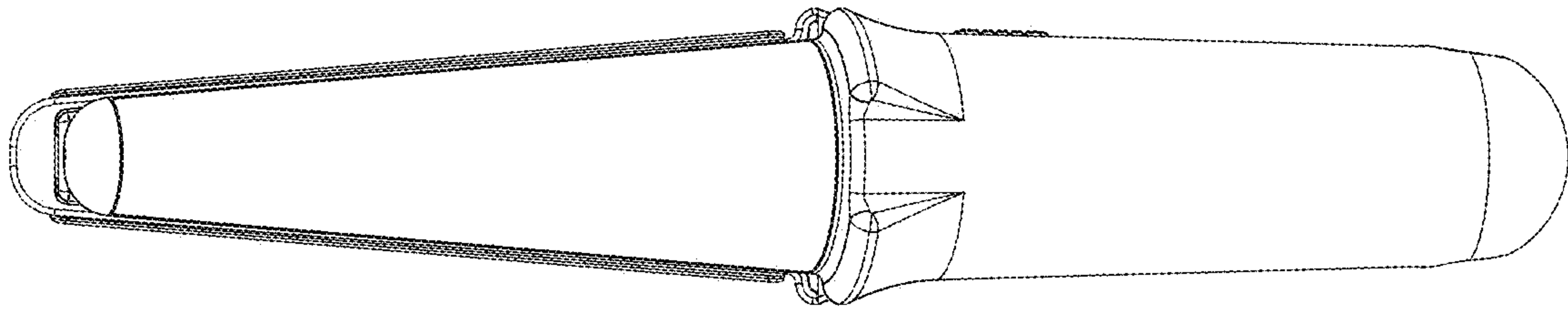


FIG. 16



**FIG. 17**

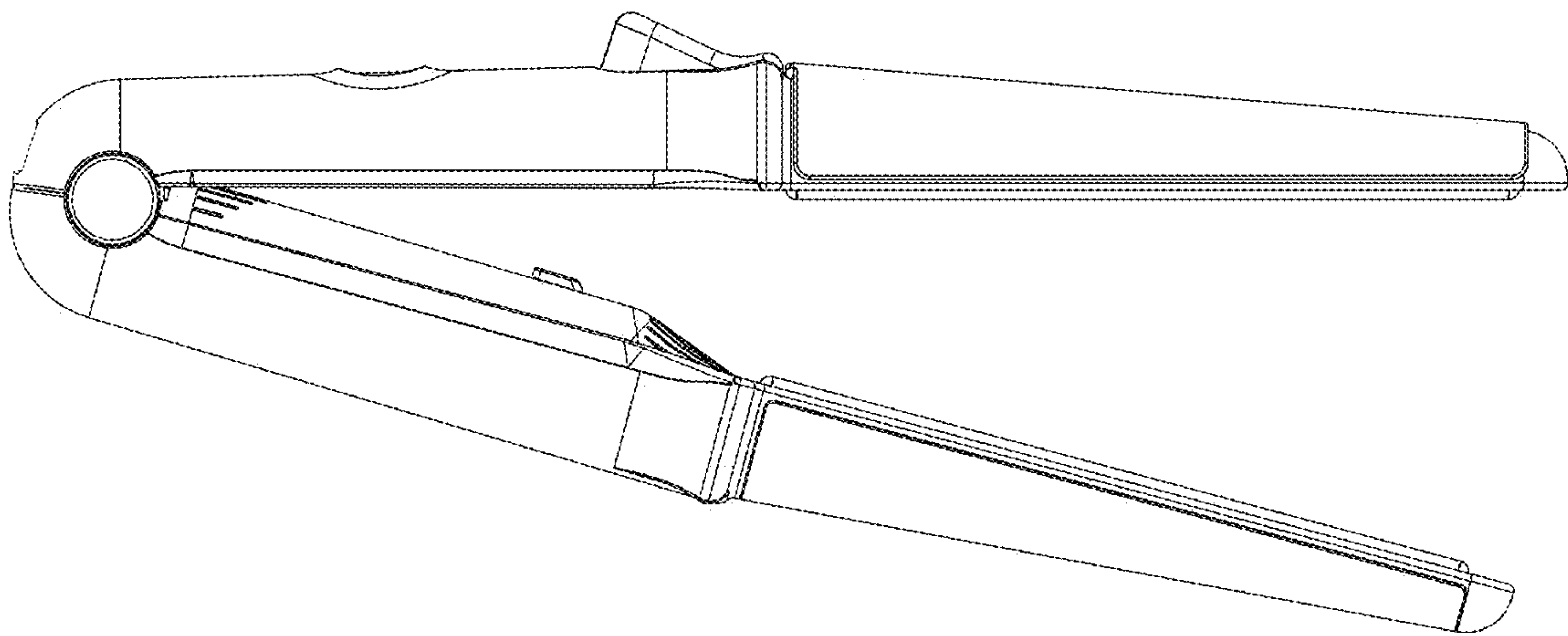
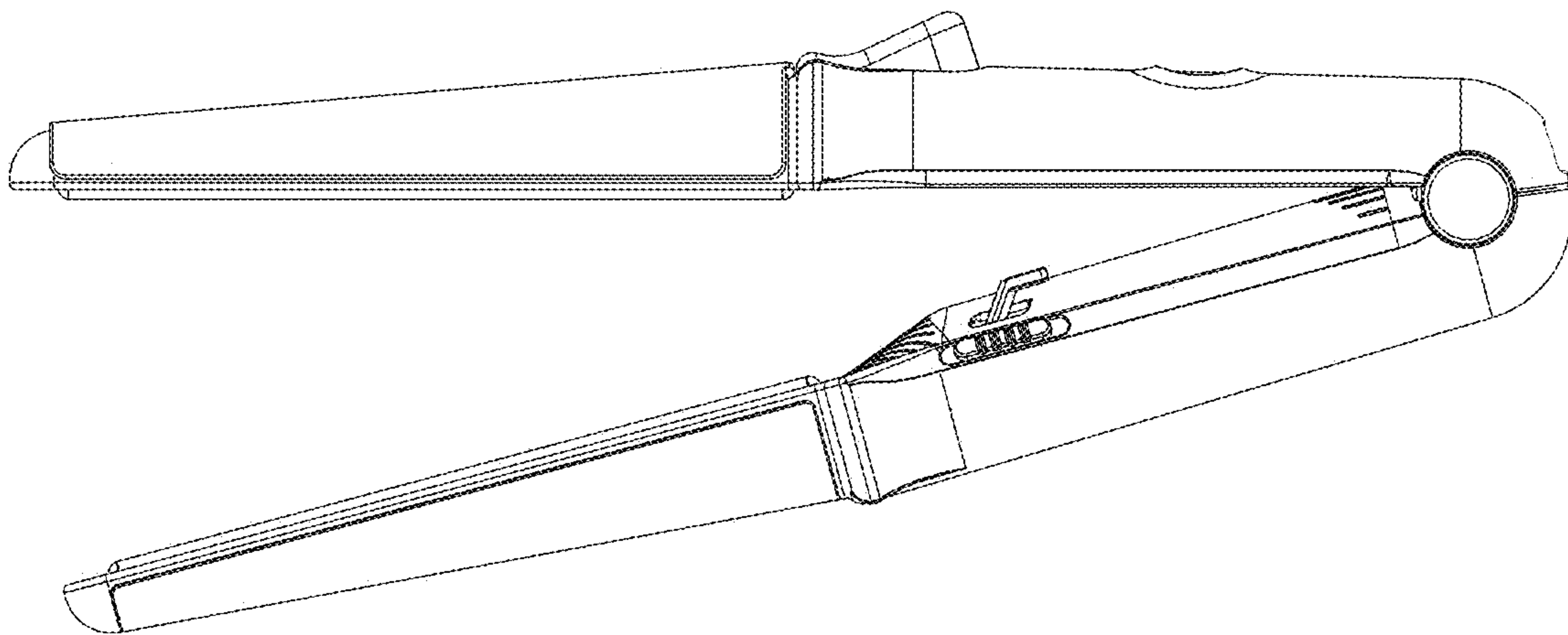
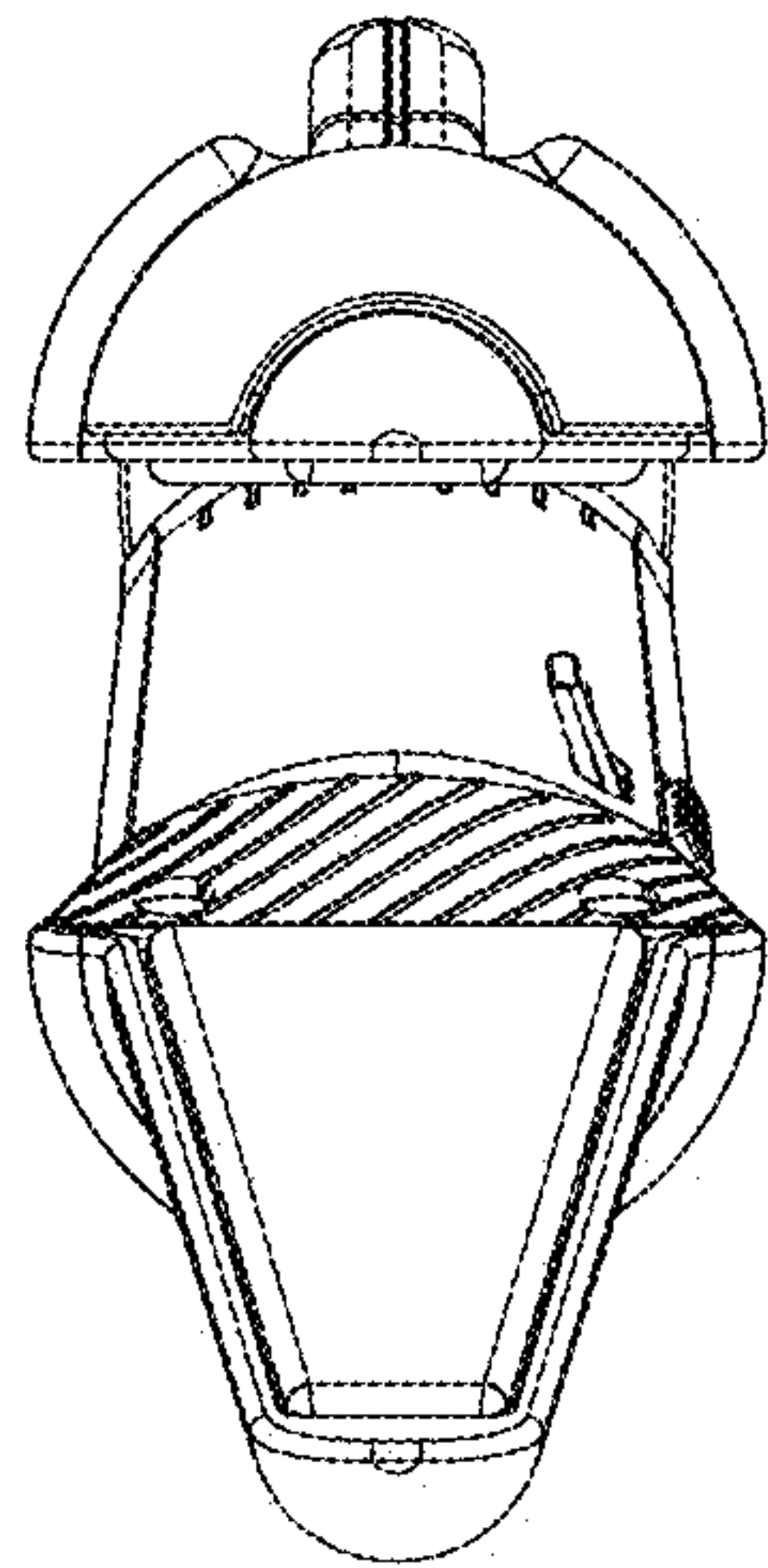


FIG. 18

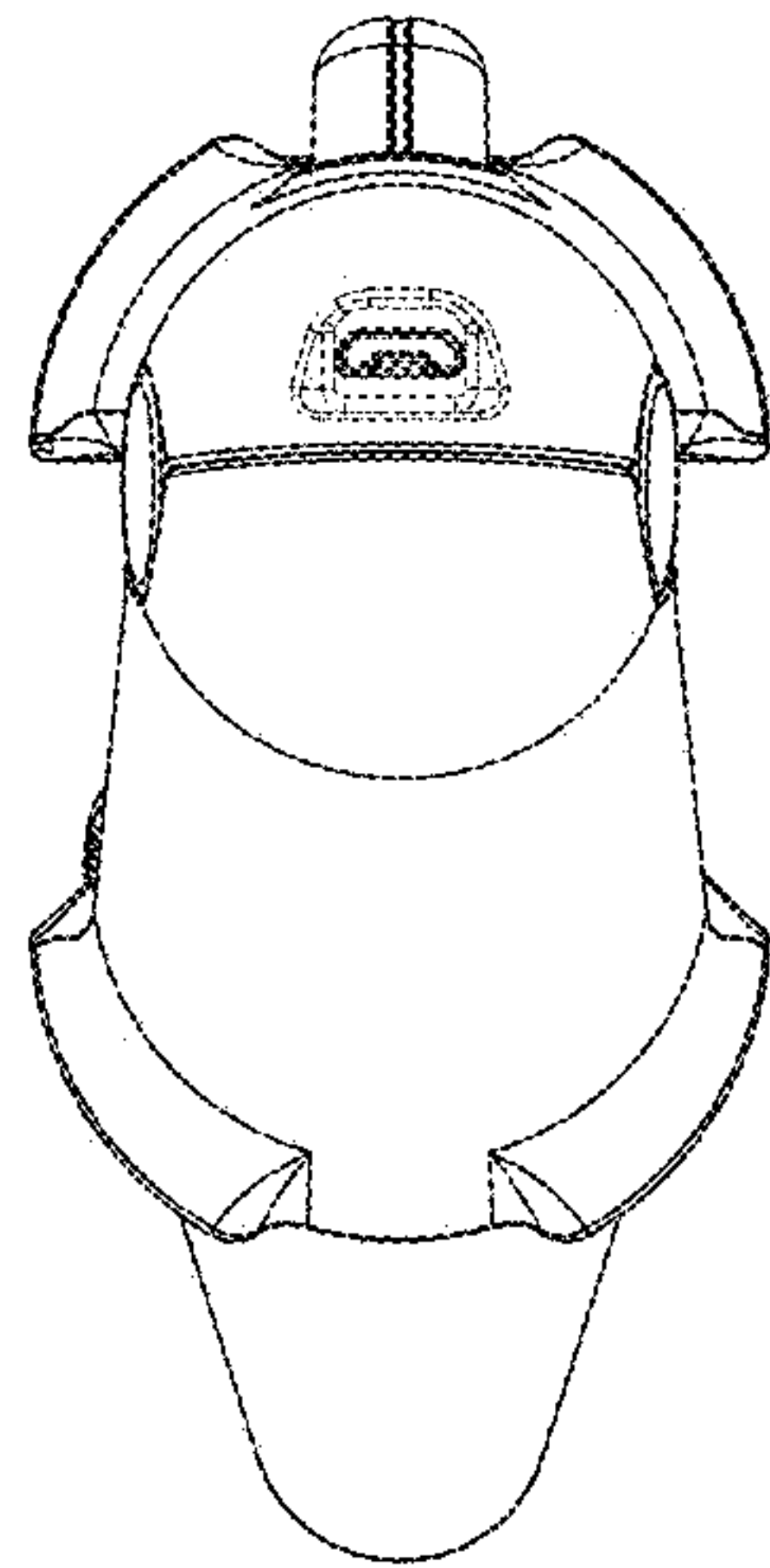


**FIG. 19**



**FIG. 20**





**FIG. 21**

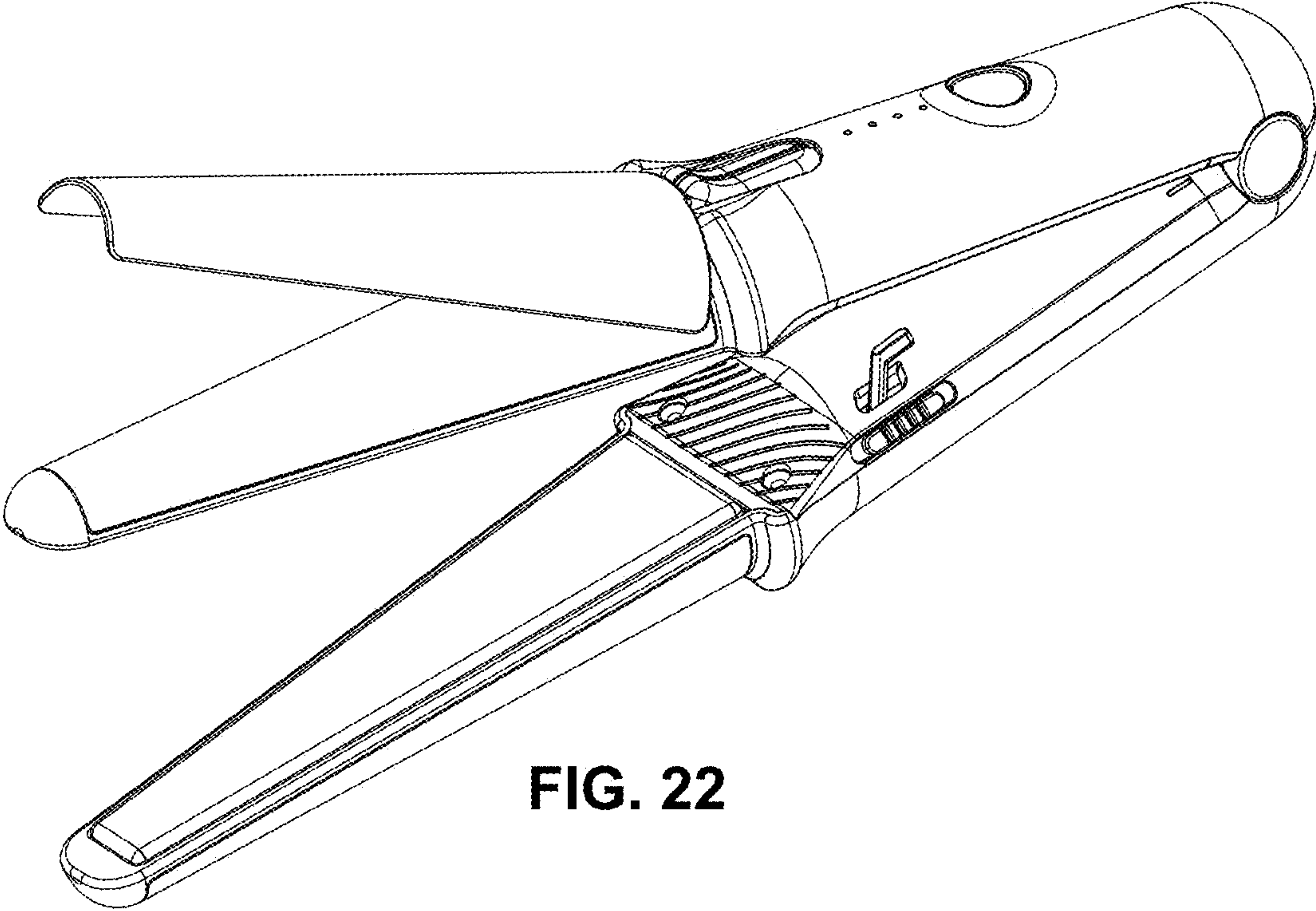


FIG. 22

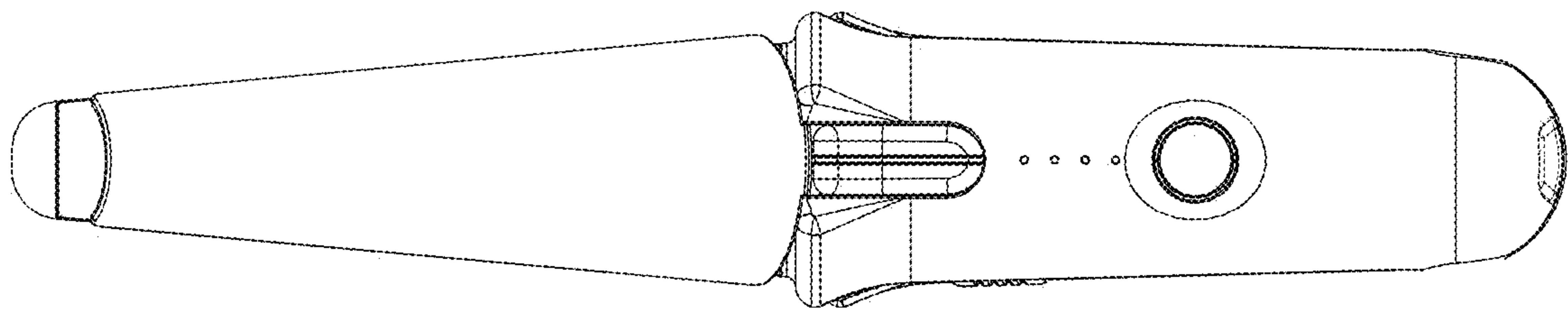
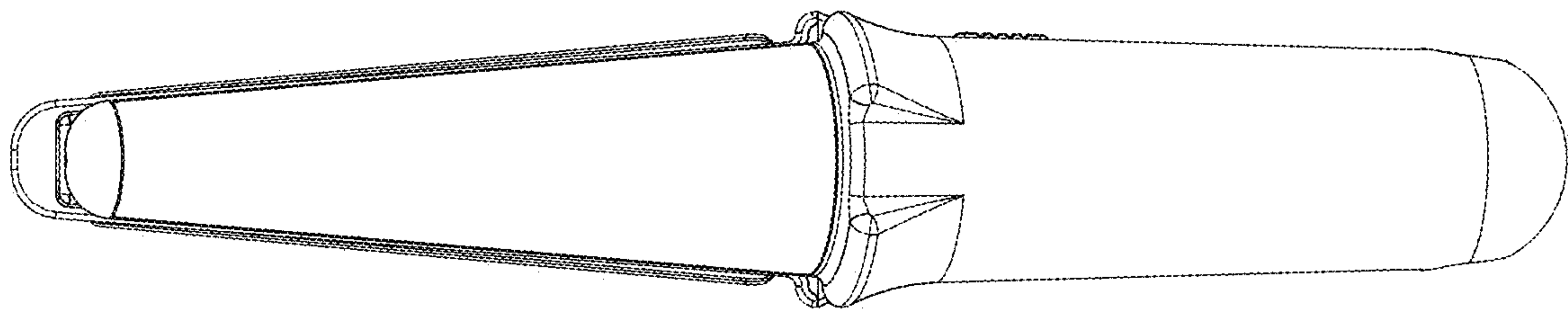


FIG. 23



**FIG. 24**

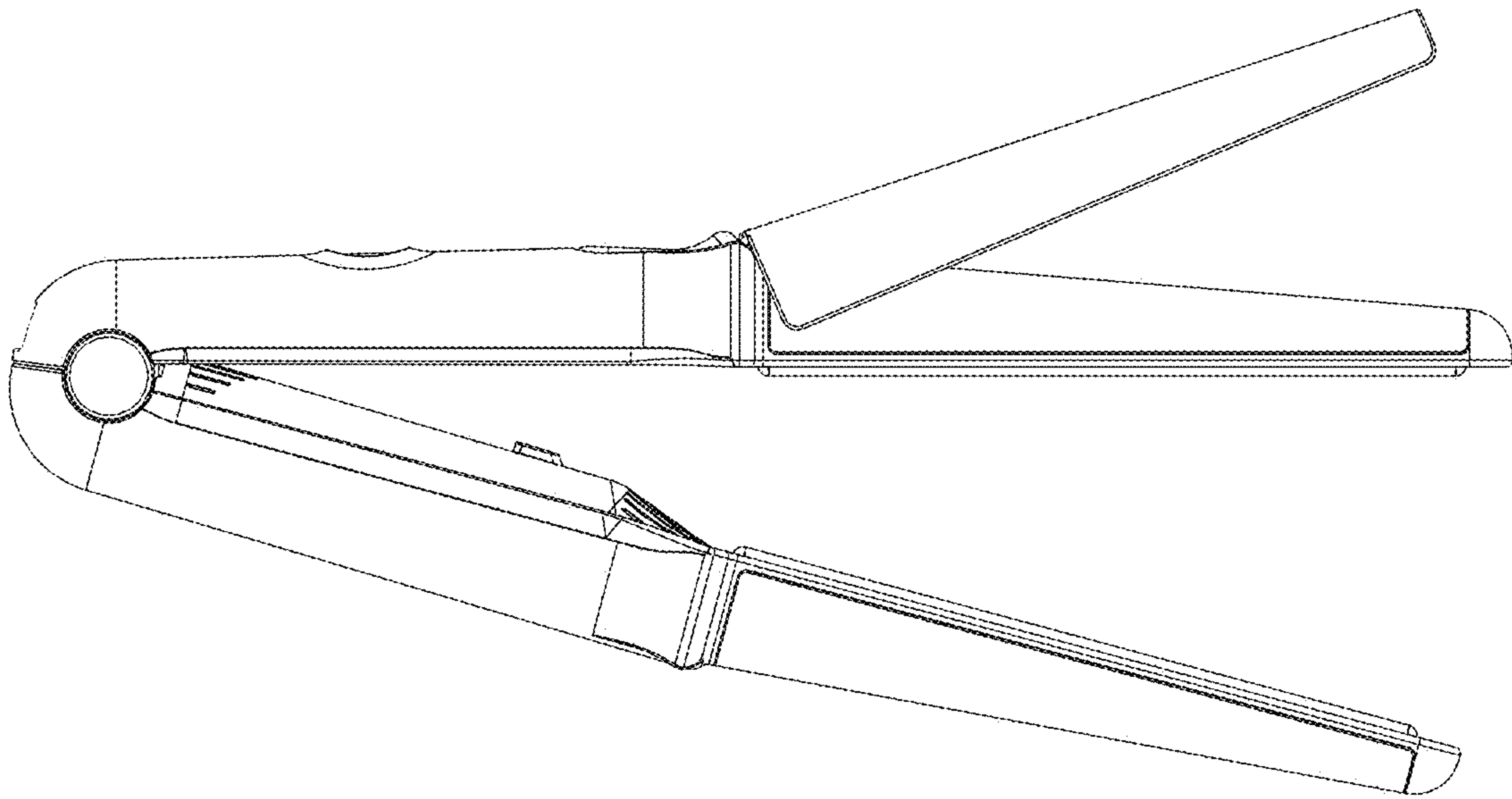


FIG. 25

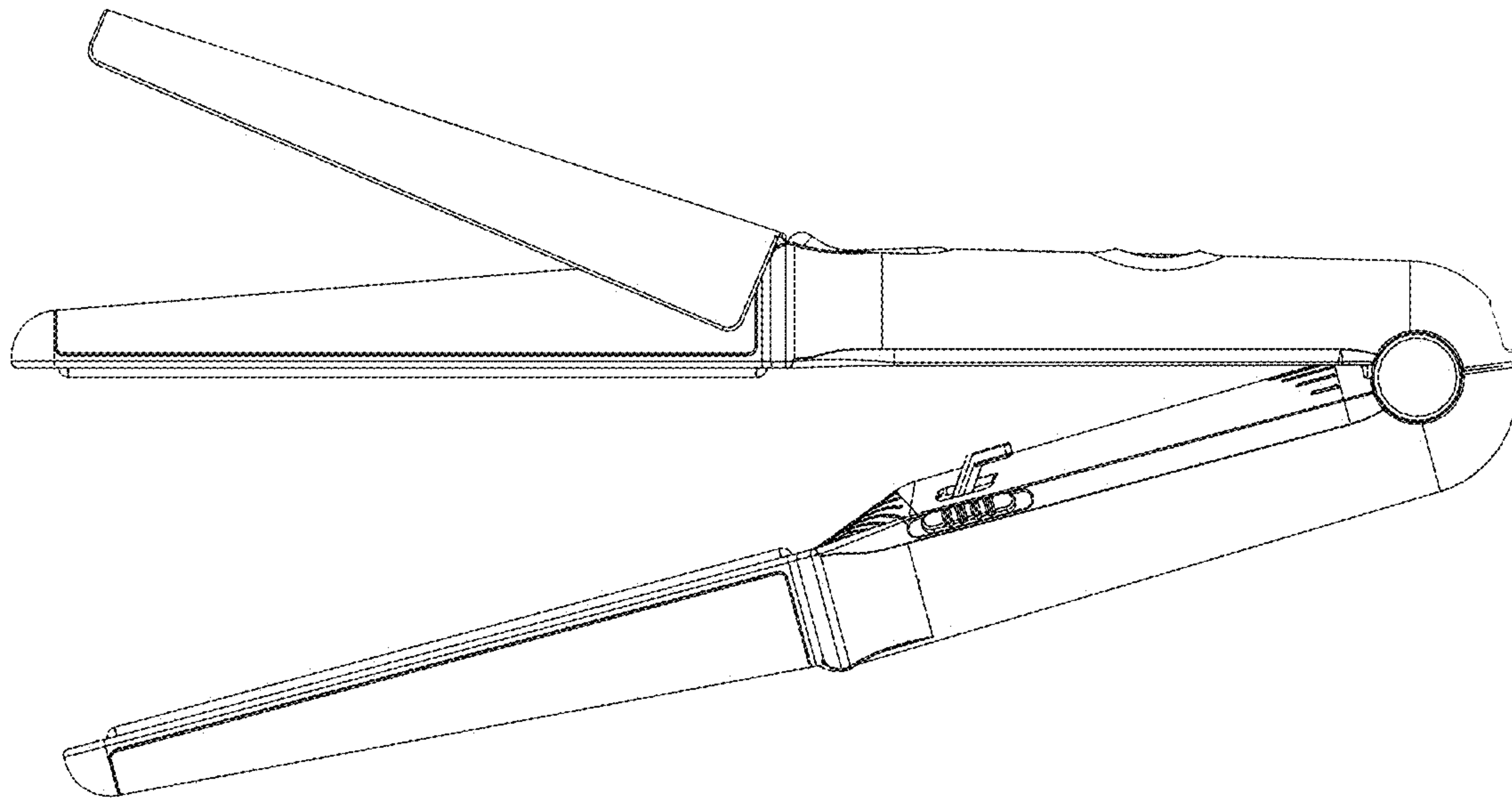


FIG. 26

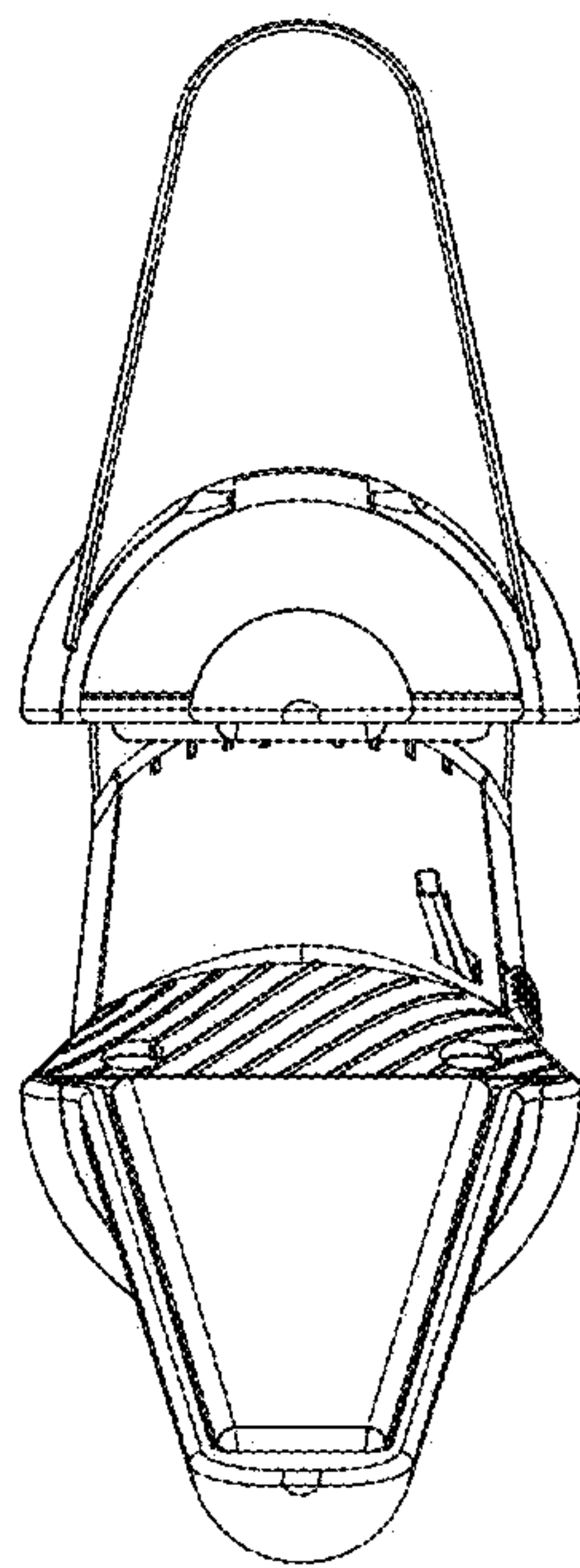
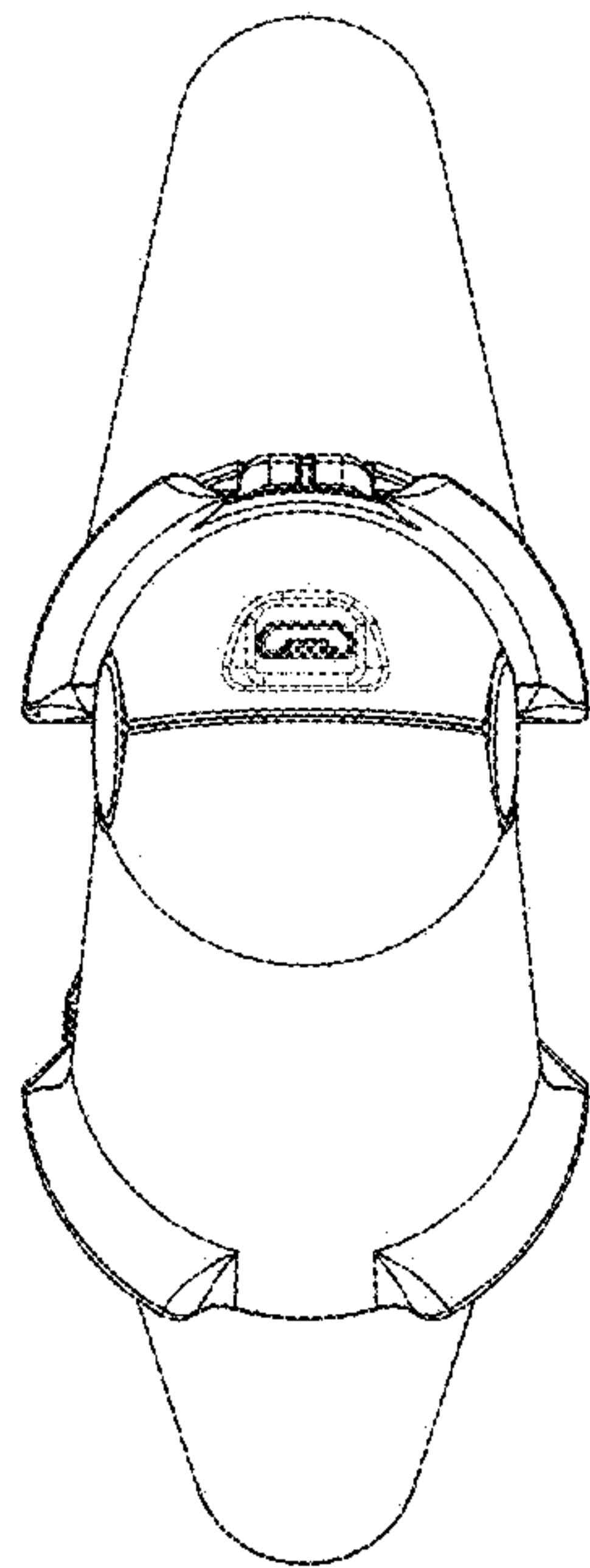


FIG. 27





**FIG. 28**