



US00D924479S

(12) **United States Design Patent** (10) **Patent No.:** **US D924,479 S**  
**Partouche** (45) **Date of Patent:** **\*\* Jul. 6, 2021**

(54) **CIGARETTE PAPER CASE**  
(71) Applicant: **REPUBLIC TECHNOLOGIES (NA) LLC**, Glenview, IL (US)

D384,821 S \* 10/1997 Sugar ..... D27/186  
D384,822 S \* 10/1997 Sugar ..... D27/186  
D384,823 S \* 10/1997 Sugar ..... D27/186  
D889,035 S \* 6/2020 Cheung ..... D27/186  
D889,739 S \* 7/2020 Ringrose ..... D27/186

(72) Inventor: **Olivier Partouche**, Barcelona (ES)

\* cited by examiner

(73) Assignee: **REPUBLIC TECHNOLOGIES (NA) LLC**, Glenview, IL (US)

*Primary Examiner* — Khawaja Anwar

(\*\*) Term: **15 Years**

(74) *Attorney, Agent, or Firm* — Millen, White, Zelano & Branigan, P.C.; Ryan R. Pool

(21) Appl. No.: **35/508,354**

(22) Filed: **Aug. 26, 2019**

(57) **CLAIM**

(80) **Hague Agreement Data**

Int. Filing Date: **Aug. 26, 2019**  
Int. Reg. No.: **DM/205217**  
Int. Reg. Date: **Aug. 26, 2019**  
Int. Reg. Pub. Date: **Jan. 17, 2020**

The ornamental design for cigarette paper case, as shown and described.

**DESCRIPTION**

(30) **Foreign Application Priority Data**

Feb. 27, 2019 (EM) ..... 006269213

(51) **LOC (13) Cl.** ..... **27-06**

(52) **U.S. Cl.**  
USPC ..... **D27/186**

(58) **Field of Classification Search**  
USPC ..... D27/172, 183, 193, 194  
CPC .. A24D 1/12; A24D 1/02; A24D 1/022; A24F  
13/22; A24F 17/00  
See application file for complete search history.

FIG. 1.1 is a front view of a cigarette paper case in a closed configuration showing my new design.

FIG. 1.2 is a side view thereof.

FIG. 1.3 is a perspective view thereof in an open configuration.

FIG. 1.4 is another perspective view thereof in an open configuration.

FIG. 1.5 is a front view thereof in an open configuration.

FIG. 1.6 is another perspective view thereof in a closed configuration; and,

FIG. 1.7 is another perspective view thereof in an open configuration.

The broken lines in the figures depict portions of the cigarette paper case that form no part of the claimed design.

(56) **References Cited**

**U.S. PATENT DOCUMENTS**

D135,624 S \* 5/1943 Kanter ..... D27/186  
D135,625 S \* 5/1943 Kanter ..... D27/186  
D160,194 S \* 9/1950 Moss ..... D27/186

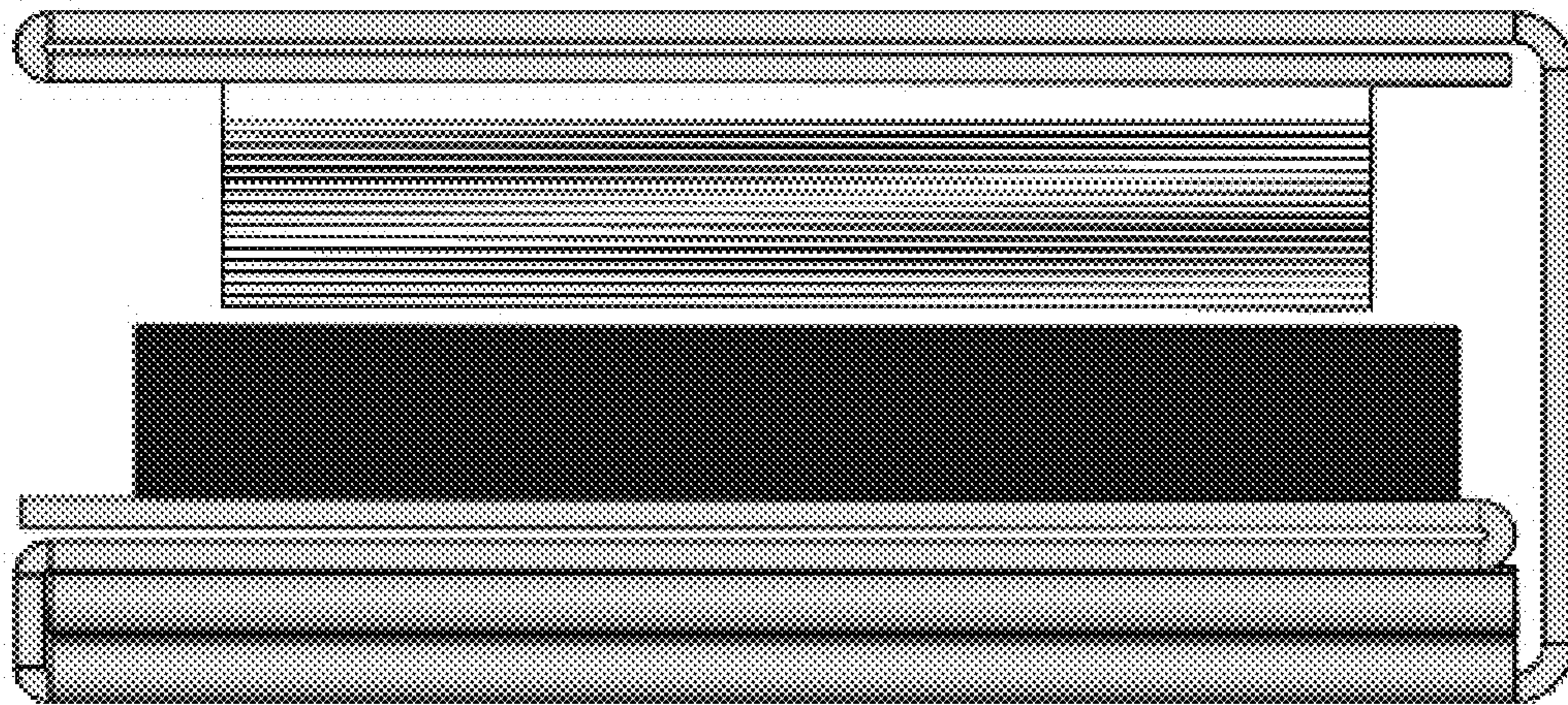
**1 Claim, 7 Drawing Sheets**



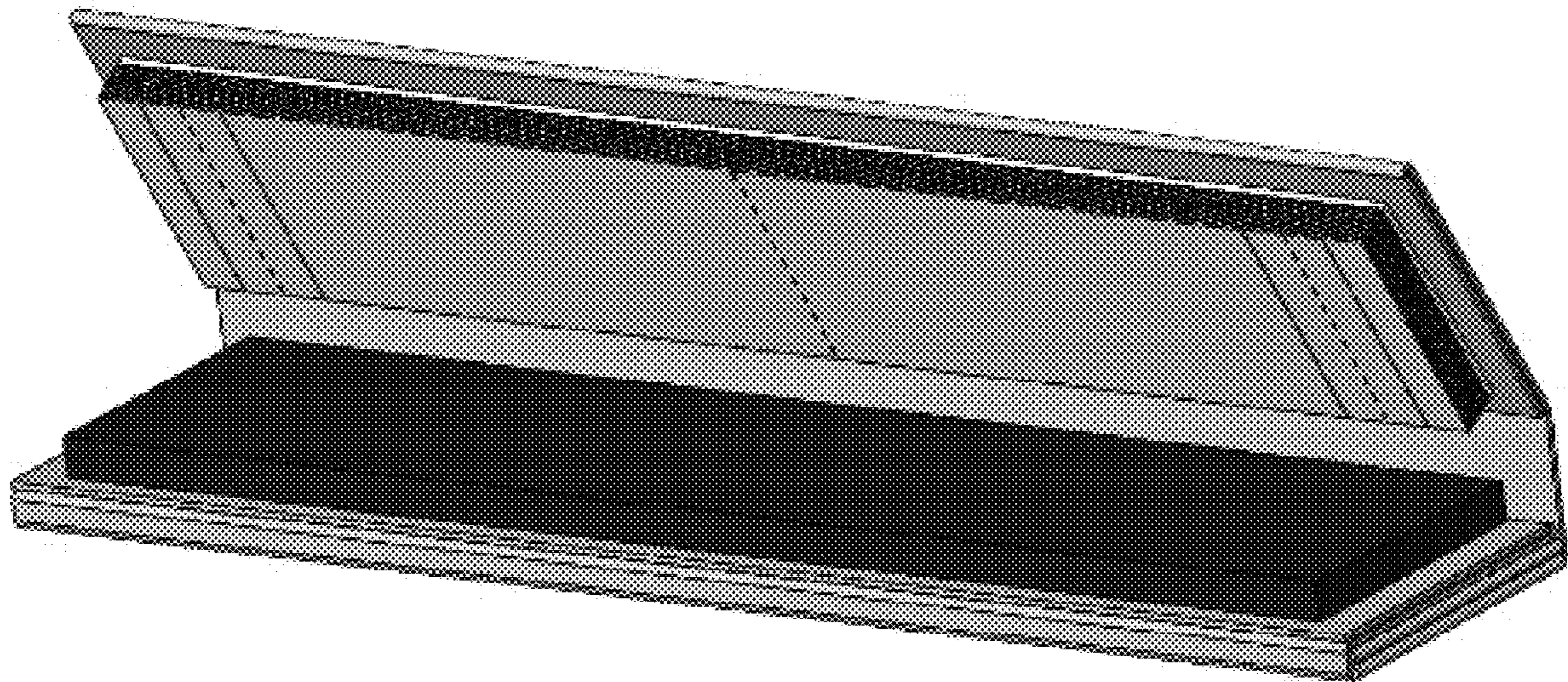
1.1



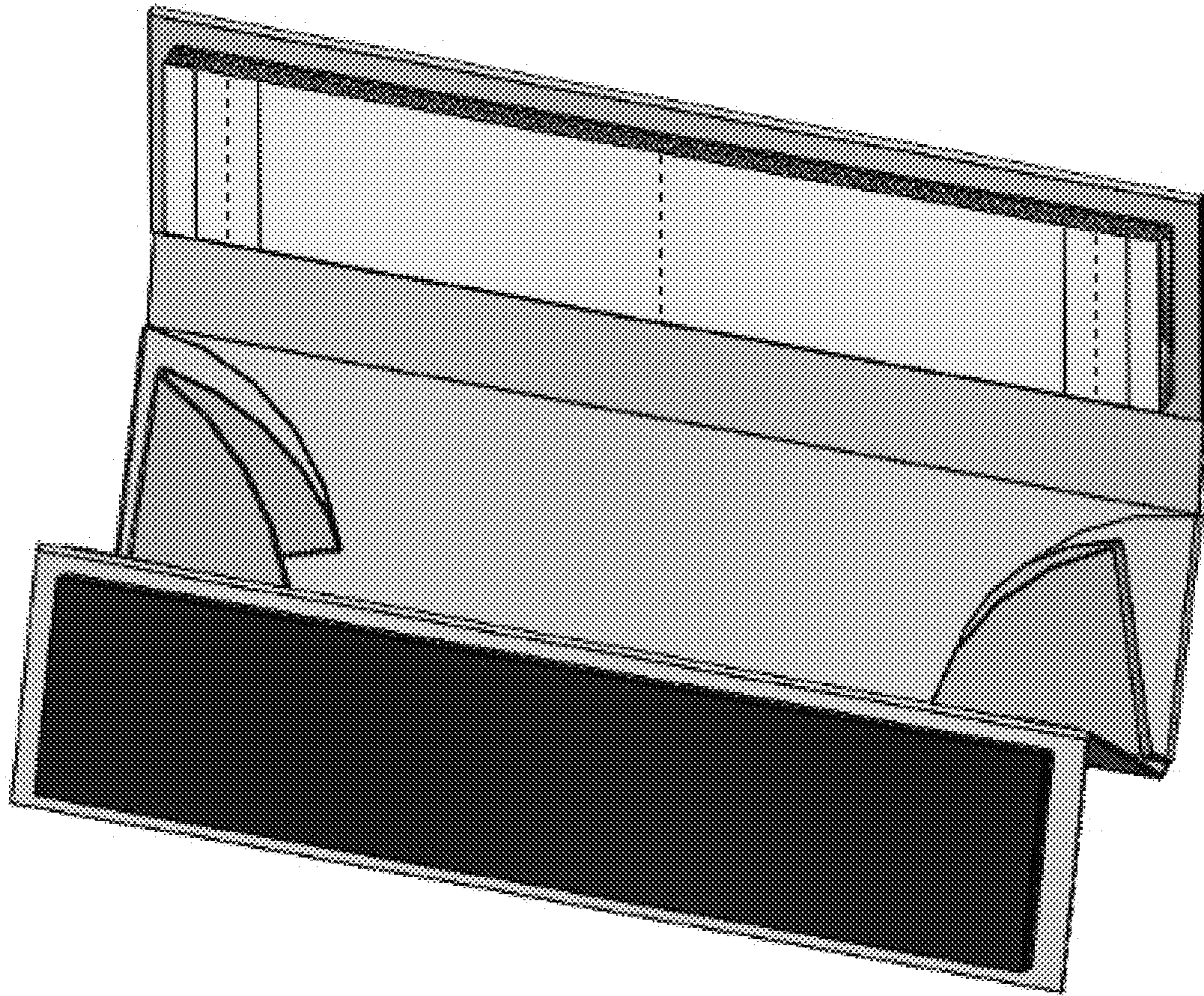
1.2



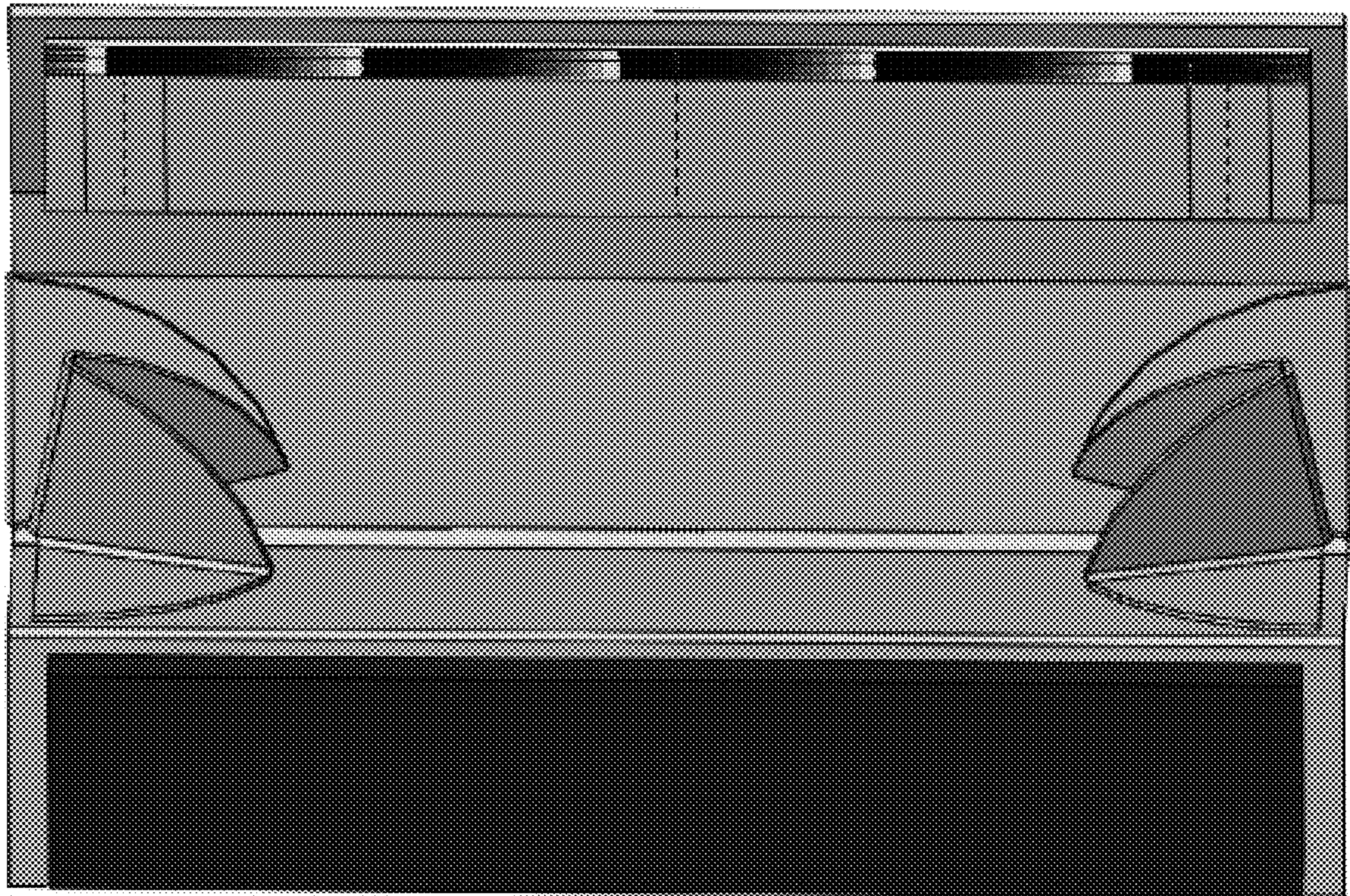
1.3



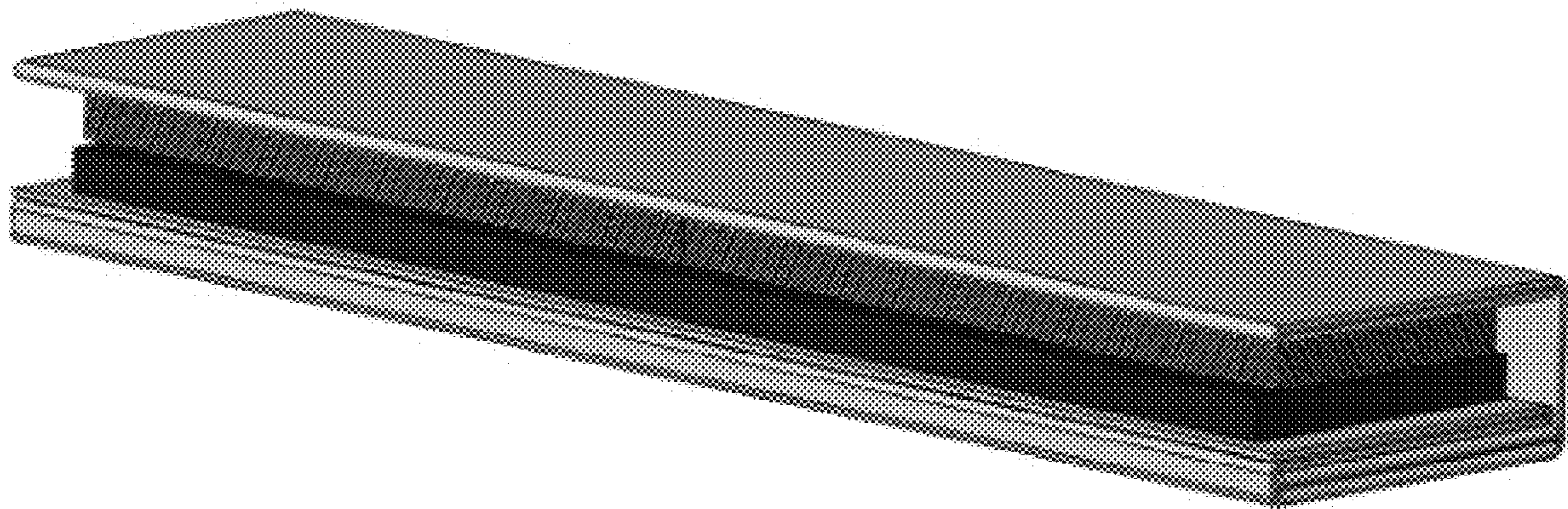
1.4



1.5



1.6



1.7

