



US00D924478S

(12) **United States Design Patent** (10) **Patent No.:** **US D924,478 S**  
**Agrawal et al.** (45) **Date of Patent:** **\*\* Jul. 6, 2021**

(54) **UNIVERSAL SECURITY IMPLEMENT FOR CANNABIS CONTAINERS**

FOREIGN PATENT DOCUMENTS

(71) Applicant: **Paper Tube LLC**, Long Grove, IL (US)

KR 3020130058315 \* 8/2014

(72) Inventors: **Parag Agrawal**, Buffalo Grove, IL (US); **Vadim David Molo**, Wheeling, IL (US)

OTHER PUBLICATIONS

(\*\*) Term: **15 Years**

Right Threaded Ring. By Agro Doctor. Dated N/A. Found online [Nov. 5, 2020]. <https://agrodoctor.eu/en/nutrition-device/120001-right-threaded-ring-078334-claas-jaguar.html> (Year: NA).\*

(21) Appl. No.: **29/705,109**

(Continued)

(22) Filed: **Sep. 10, 2019**

*Primary Examiner* — Lakiya G Rogers

*Assistant Examiner* — William B Melliar

(51) **LOC (13) Cl.** ..... **27-06**

(74) *Attorney, Agent, or Firm* — Aman Bhatia

(52) **U.S. Cl.**

(57) **CLAIM**

USPC ..... **D27/183**; D27/194; D9/440

The ornamental design for a universal security implement for cannabis containers, as shown and described.

(58) **Field of Classification Search**

**DESCRIPTION**

USPC ..... D27/167, 163, 172, 173, 174, 175, 176, D27/177, 178, 179, 180, 181, 182, 183, D27/184, 185, 186, 187, 188, 189, 190, D27/191, 192, 193, 194, 195, 196, 102, D27/136, 137, 170; D7/300; D9/544, D9/439, 434, 435, 440, 516, 708

FIG. 1 is a top perspective view of the universal security implement for cannabis containers.

FIG. 2 is a bottom perspective view of the universal security implement for cannabis containers.

FIG. 3 is a top view of the universal security implement for cannabis containers.

FIG. 4 is a bottom profile view of the universal security implement for cannabis containers.

FIG. 5 is side view of the universal security implement for cannabis containers.

FIG. 6 is an additional side view of the universal security implement for cannabis containers rotated 90 degrees relative to the previous figure.

FIG. 7 is yet another side view of the universal security implement for cannabis containers rotated 90 degrees relative to the previous figure; and,

FIG. 8 is yet another additional side view of the universal security implement for cannabis containers rotated 90 degrees relative to the previous figure.

CPC ..... E21B 17/042; E21B 10/20; E21B 10/22; E21B 17/043; E21B 33/128; E21B 17/0423; E21B 17/08; E21B 19/16; E21B 33/038; E21B 43/128; F16L 15/003; F16L 17/08; F16L 15/04; F16L 15/08; F16L 15/00; F16L 15/001; F16L 15/008; F16L 15/009; F16L 15/02; F16L 19/005; F16L 19/0218; F16L 19/12; F16L 25/10; F16L 15/004; F16L 19/0212; F16L 19/028; F16L 23/036;

(Continued)

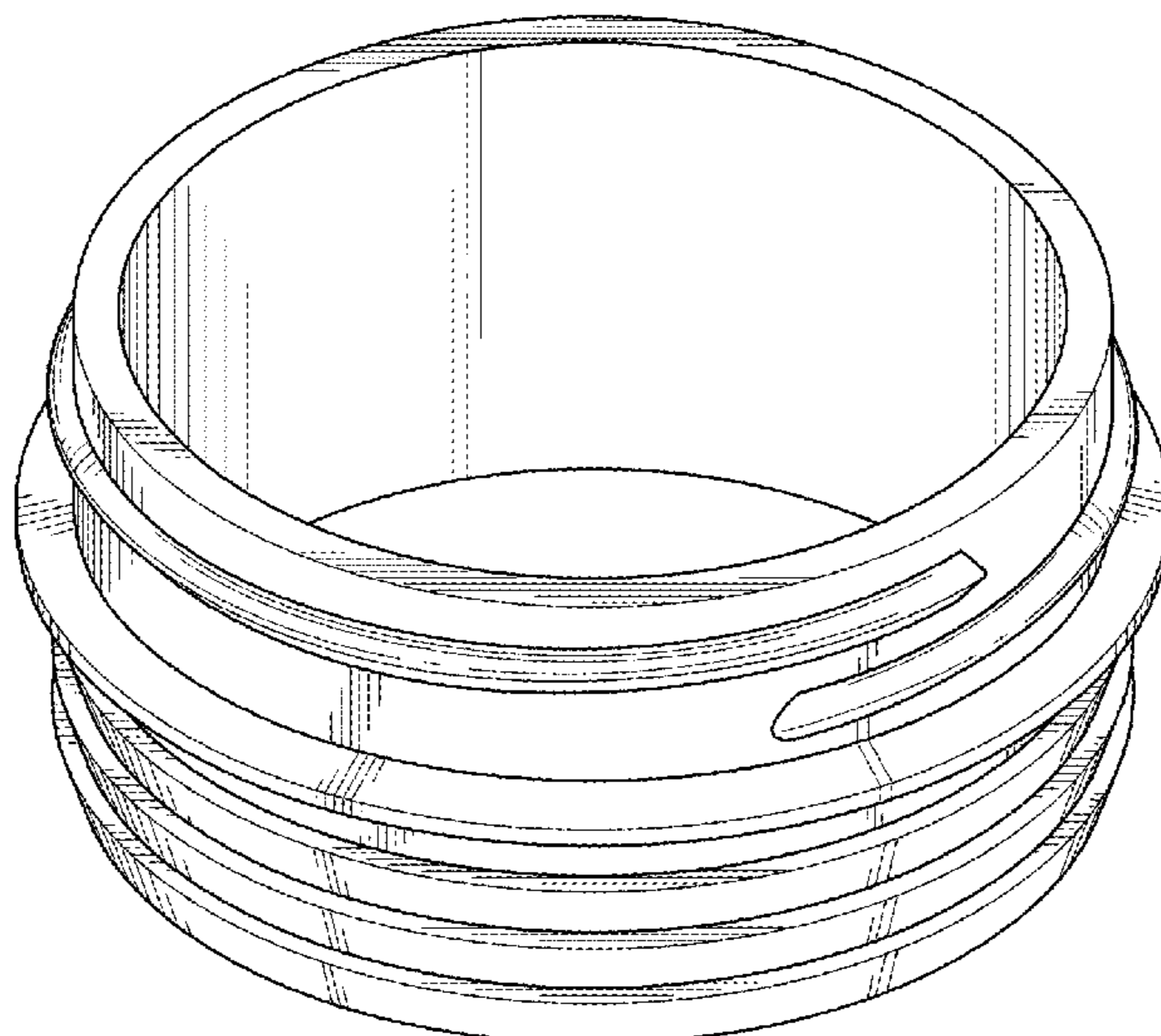
(56) **References Cited**

U.S. PATENT DOCUMENTS

D98,783 S \* 3/1936 Steuer ..... D27/191  
D197,922 S \* 4/1964 Senoff ..... D9/439

(Continued)

**1 Claim, 4 Drawing Sheets**



(58) **Field of Classification Search**

CPC . F16L 27/053; F16L 41/007; B65D 41/3428; B65D 41/0421; B65D 1/0207; B65D 21/0219; B65D 2251/1041; B65D 23/0821; B65D 2401/30; B65D 2401/35; B65D 39/084; B65D 41/3409; B65D 41/42; B65D 41/62; B65D 47/0847; B65D 50/067; B65D 85/72; B65D 75/5866; B65D 31/10; B65D 33/2508; B65D 33/2533; B65D 47/06; B65D 47/122; B65D 1/023; B65D 25/42; B65D 47/32; B65D 23/06; B65D 2547/066; B65D 25/48; B65D 5/746; B65D 47/063; B65D 75/5822; B65D 2575/586; B65D 25/44; B65D 33/1658; B65D 33/20; B65D 47/40; B65D 2203/00; B65D 23/102; B65D 2501/009; B65D 47/123; B65D 51/228; B65D 5/74; B65D 17/506; B65D 1/0246; B65D 2543/00833; B65D 25/32; B65D 33/007; B65D 33/2591; B65D 41/0442; B65D 43/02; B65D 43/0214; B65D 43/163; B65D 43/26; B65D 47/043; B65D 47/061; B65D 5/563; B65D 5/66; B65D 5/727; B65D 75/5855; B65D 1/04; B65D 2205/00; B65D 2255/20; B65D 2401/15; B65D 2543/00092; B65D 25/40; B65D 25/465; B65D 33/2566; B65D 35/22; B65D 47/2006; B65D 47/2012; B65D 47/286; B65D 75/008; B65D 75/12; B65D 75/5805; B65D 75/5816; B65D 81/3283; B65D 83/28; B65D 83/345; B65D 83/40; B65D 83/68; B65D 17/4012; B65D 2205/02; B65D 2231/004; B65D 2251/0018; B65D 2251/0087; B65D 2251/04; B65D 2313/04; B65D 23/10; B65D 2401/25; B65D 2517/0014; B65D 2517/0062; B65D 2517/0089; B65D 2543/00296; B65D 2543/00537; B65D 2547/063; B65D 25/46; B65D 33/22; B65D 33/24; B65D 33/2575; B65D 3/12; B65D 3/26; B65D 41/0428; B65D 41/26; B65D 41/265; B65D 41/56; B65D 43/00; B65D 43/0212; B65D 43/0225; B65D 43/0231; B65D 43/06; B65D 47/046; B65D 47/066; B65D 47/068; B65D 47/106; B65D 47/125; B65D 47/127; B65D 47/242; B65D 47/265; B65D 47/305; B65D 47/36; B65D 50/046; B65D 51/1611; B65D 51/1672; B65D 51/1677; B65D 51/1683; B65D 51/11; B65D 51/20; B65D 51/246; B65D 5/0209; B65D 5/067; B65D 5/40; B65D 5/705; B65D 5/744; B65D 5/745; B65D 75/322; B65D 75/326; B65D 75/366; B65D 75/566; B65D 75/5877; B65D 75/5883; B65D 77/062; B65D 77/065; B65D 79/005; B65D 83/0055; B65D 83/06; F16B 39/10; F16B 39/34; F16B 33/06; F16B 37/122; F16B 39/282; F16B 39/32; F16B 5/02; F16B 7/02; F16B 7/025; F16B 19/02; F16B 21/10; F16B 21/183; F16B 2200/406; F16B 2200/50; F16B 31/021; F16B 33/004; F16B 39/02; F16B 39/04; F16B 39/24; F16B 39/286;

F16B 41/002; F16B 43/00; F16B 43/001; F16B 7/18; F16B 39/028; B05D 1/30; B05D 2258/02; B05D 2401/32; B05D 7/22; B23P 19/12; B23P 19/10; B23P 11/00; B23P 11/005; B23P 13/00; B23P 19/06; B23P 19/064; F16C 35/063; Y10S 411/968; Y10S 411/941; Y10S 470/906; Y10S 215/01; Y10S 220/29; Y10S 279/902; Y10S 285/922; Y10S 33/11; Y10S 411/915; Y10S 411/926; Y10S 411/938; Y10S 411/939; Y10S 411/945; Y10S 411/947; Y10S 411/956; Y10S 411/965; Y10S 411/984; Y10S 411/999; B05B 11/001; B05B 11/0013; B05B 11/3057; B05B 11/3059; B60B 25/08; B60B 25/10; B60B 25/12; B60B 25/14; B60B 2900/212; B60B 2900/325; B64C 25/36; B66C 1/66; F01D 11/001; F01D 11/02; F01D 9/065; F03D 80/00; F03D 80/88; F05D 2240/11; F16D 1/095; F16D 66/02; F16D 66/023; F16D 1/076; F16D 1/087; F16G 15/08; F16J 15/06; F16J 15/3268; F16J 15/062; Y10T 29/49494; Y10T 29/49948; Y10T 29/5367; Y10T 403/32213; Y10T 403/32221; Y10T 403/32975; Y10T 403/52; Y10T 403/589; Y10T 279/17632; Y10T 29/49833; Y10T 29/49881; Y10T 29/49945; Y10T 29/53687; Y10T 403/443; Y10T 403/49; Y10T 403/5706; Y10T 403/581; Y10T 403/62; Y10T 403/67; Y10T 403/7018; Y10T 403/7075; Y10T 83/659; Y10T 83/7876; Y10T 83/8887; Y10T 83/8889; A01K 5/0114; A01K 5/0135; A01K 7/005; A44C 17/0233; A44C 5/00; A44C 5/12; A44C 9/00; A44C 9/0046; A44D 2203/00; A61B 17/683; A61B 17/686; A61B 17/7055; A61B 17/8066; A61B 17/808; A61B 17/8605; A61B 17/864; A61B 17/8665; A61B 17/8695; A61B 17/8872; A61F 2002/30405; A61F 2002/30495; A61F 2002/3241; A61F 2002/3403; A61F 2002/3414; A61F 2220/0025; A61F 2310/00011; A61F 2310/00023; A61F 2310/0029; A61F 2310/00179; A61F 2310/00796; A61F 2/30767; A61F 2/34; B21D 39/04; B21D 51/40; B21J 15/022; B21J 15/142; B21J 15/32; B21J 15/34; B23B 2222/80; B23B 2226/61; B23B 2231/38; B23B 31/1238; B23D 47/005; B25B 13/48; B25B 13/52; B25B 21/001; B25B 27/0028; B25B 5/34; B61D 15/06; B61D 3/10; B64D 2027/262; B64D 2027/268; B64D 27/26; B29C 66/71; B29C 48/10; B29C 49/06; B29C 2793/009; B29C 2948/92714; B29C 2948/92942; B29C 48/07; B29C 48/12; B29C 48/154; B29C 48/21; B29C 48/91; B29C 48/914; B29C 48/0019; B29C 48/32; B29C 48/34; B29C 48/355; B29C 48/832; B29C 48/86; B29C 48/87; B29C 49/12; B29C 49/4278; B29C 49/48; B29C 65/02; B29C 66/1122; B29C 66/4312; B29C 66/432; B29C 2793/0027;

B29C 2793/0063; B29C 51/10; B29C 51/266; B29C 51/36; B29C 51/445  
See application file for complete search history.

(56)

**References Cited**

U.S. PATENT DOCUMENTS

3,587,896 A \* 6/1971 Graff ..... B65D 55/145  
215/206  
D247,549 S \* 3/1978 Klees ..... B65D 43/0229  
D9/439  
4,121,727 A \* 10/1978 Robbins ..... B65D 50/06  
215/206  
4,564,114 A \* 1/1986 Cole ..... B65D 55/16  
215/256  
D320,559 S \* 10/1991 Olson ..... A47J 47/02  
D9/439  
D389,761 S \* 1/1998 Thomas ..... D10/103  
5,727,704 A \* 3/1998 Glynn ..... B65D 50/04  
215/221  
D441,650 S \* 5/2001 Salzburg ..... D9/434  
D491,062 S \* 6/2004 Hoff ..... B65D 55/145  
D9/435  
D567,656 S \* 4/2008 Neias ..... D9/439  
D587,118 S \* 2/2009 Sadiq ..... D9/516  
D661,544 S \* 6/2012 Enghard ..... D7/397  
D666,915 S \* 9/2012 Wiescinski ..... D9/541  
D668,959 S \* 10/2012 Brown ..... D9/541  
D682,690 S \* 5/2013 Bowes ..... D9/439  
8,556,106 B1 \* 10/2013 Bayat ..... B65D 43/0229  
220/294  
D696,954 S \* 1/2014 Carro ..... D9/516  
8,746,486 B2 \* 6/2014 Del Solar ..... A47J 47/02  
220/293  
D711,227 S \* 8/2014 Sheikh ..... D9/435  
D715,145 S \* 10/2014 Yamagishi ..... D9/447  
D716,656 S \* 11/2014 Carregui ..... D9/440

D726,488 S \* 4/2015 Wittke ..... D7/321  
D757,541 S \* 5/2016 Wu ..... D9/439  
D773,296 S \* 12/2016 Lynd ..... D9/439  
9,578,765 B2 \* 2/2017 Jackson ..... H05K 5/0239  
D788,583 S \* 6/2017 Tu ..... D9/449  
D798,497 S \* 9/2017 Scheiber ..... D27/101  
D799,958 S \* 10/2017 Butruille ..... D9/440  
D819,443 S \* 6/2018 Martinez Carregui .....  
B65D 55/16  
D9/440  
D827,364 S \* 9/2018 Rummel ..... D7/392.1  
D828,088 S \* 9/2018 Furneaux ..... B65D 51/245  
D7/396.2  
D828,751 S \* 9/2018 Ploeger ..... D9/435  
D830,175 S \* 10/2018 Rognard ..... D9/516  
D853,235 S \* 7/2019 Yao ..... D9/436  
D858,872 S \* 9/2019 White ..... D27/186  
D861,431 S \* 10/2019 Demopoulos ..... D7/507  
D873,970 S \* 1/2020 Park ..... D23/260  
D875,524 S \* 2/2020 Holmes ..... D9/439  
D888,203 S \* 6/2020 Blum ..... D23/262  
10,766,674 B2 \* 9/2020 Agrawal ..... B65D 50/041  
D907,999 S \* 1/2021 Epstein ..... D9/440  
2003/0102280 A1 \* 6/2003 Odet ..... B65D 41/3409  
215/252  
2017/0088320 A1 \* 3/2017 Martinez Carregui .....  
B65D 51/245

OTHER PUBLICATIONS

1/2in Copper x MIP Slip Brass Adapter. By Sioux Chief. Dated N/A.  
Found online [Nov. 5, 2020], [\\* cited by examiner](https://www.ferguson.com/product/sioux-chief-12-in-copper-x-mip-slip-brass-adapter-s6142/_/R-83526?pid=!c10907962684!a110340013434!tpla-611800629259!k!m!p!dc!ng!f&gclid=EAIaIQo (Year: NA).*</a></p>
</div>
<div data-bbox=)

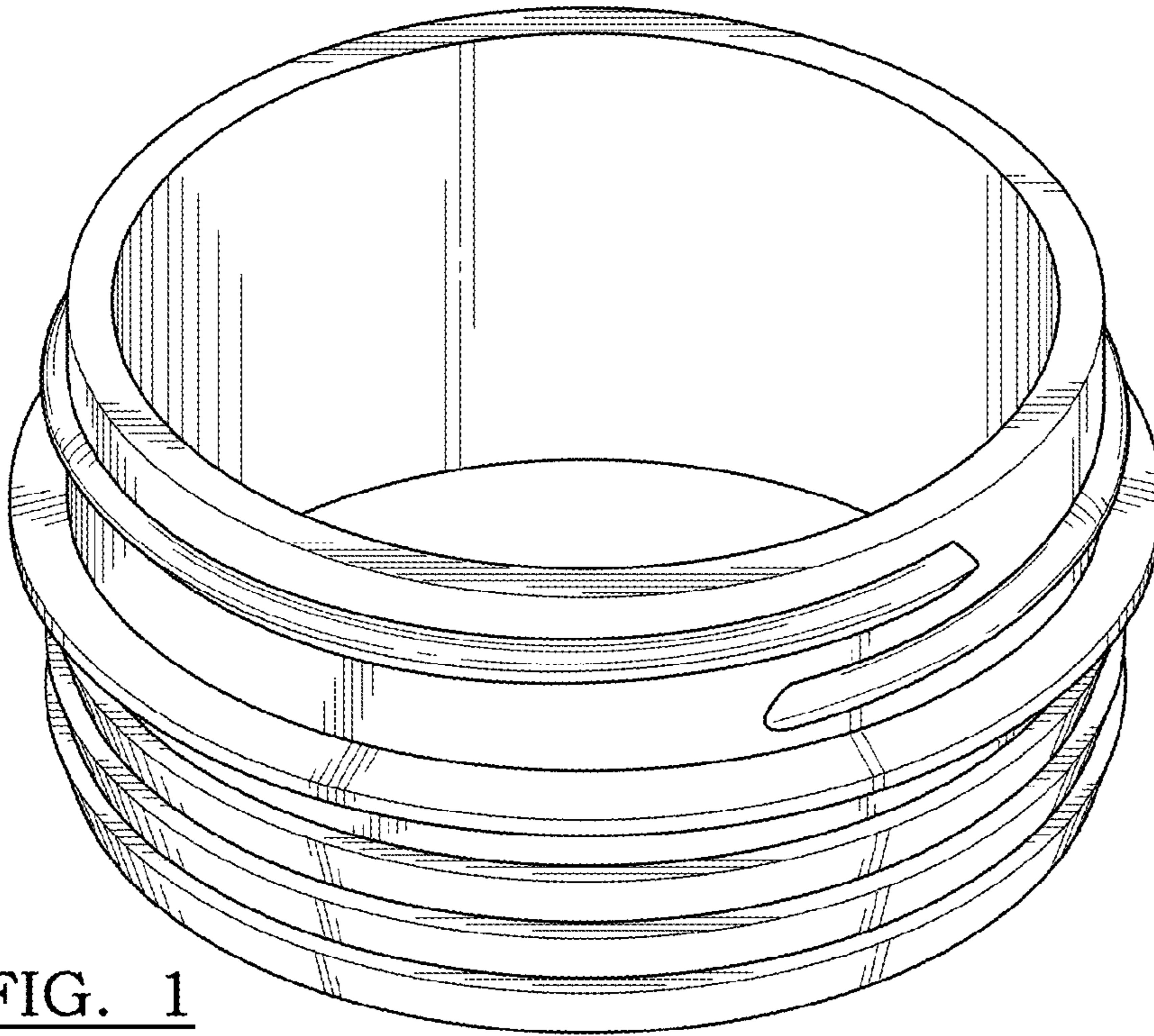


FIG. 1

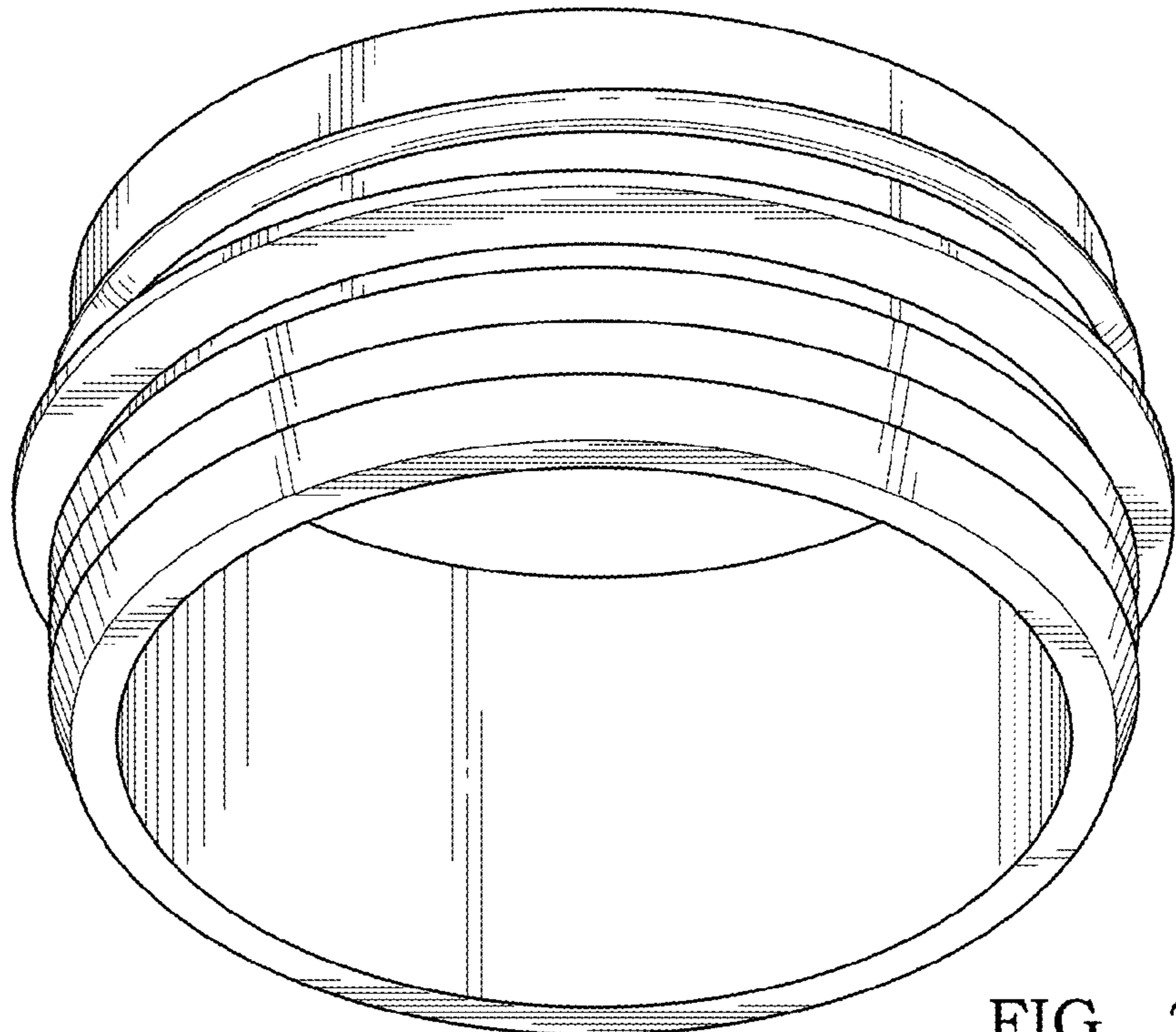


FIG. 2

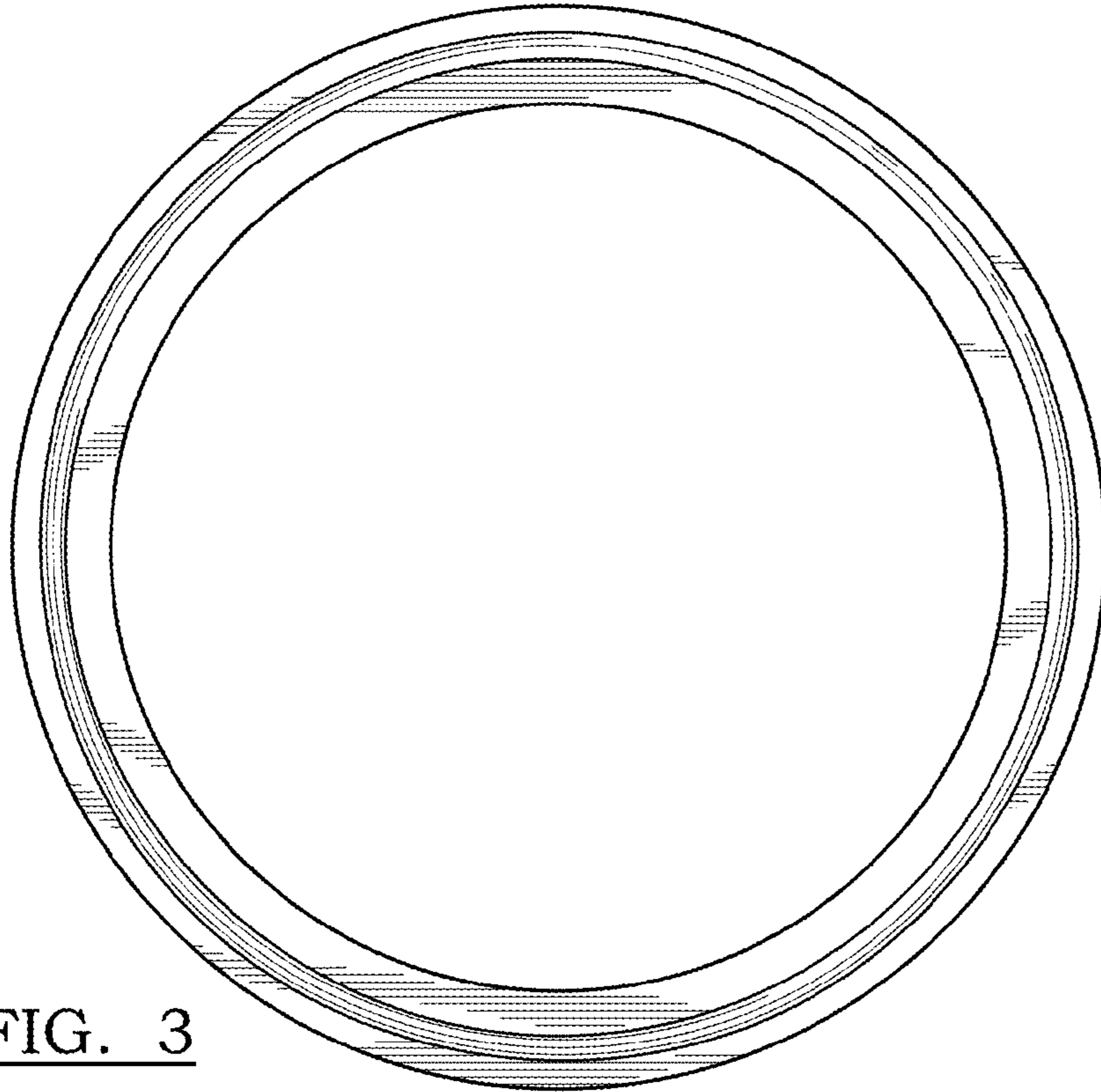


FIG. 3

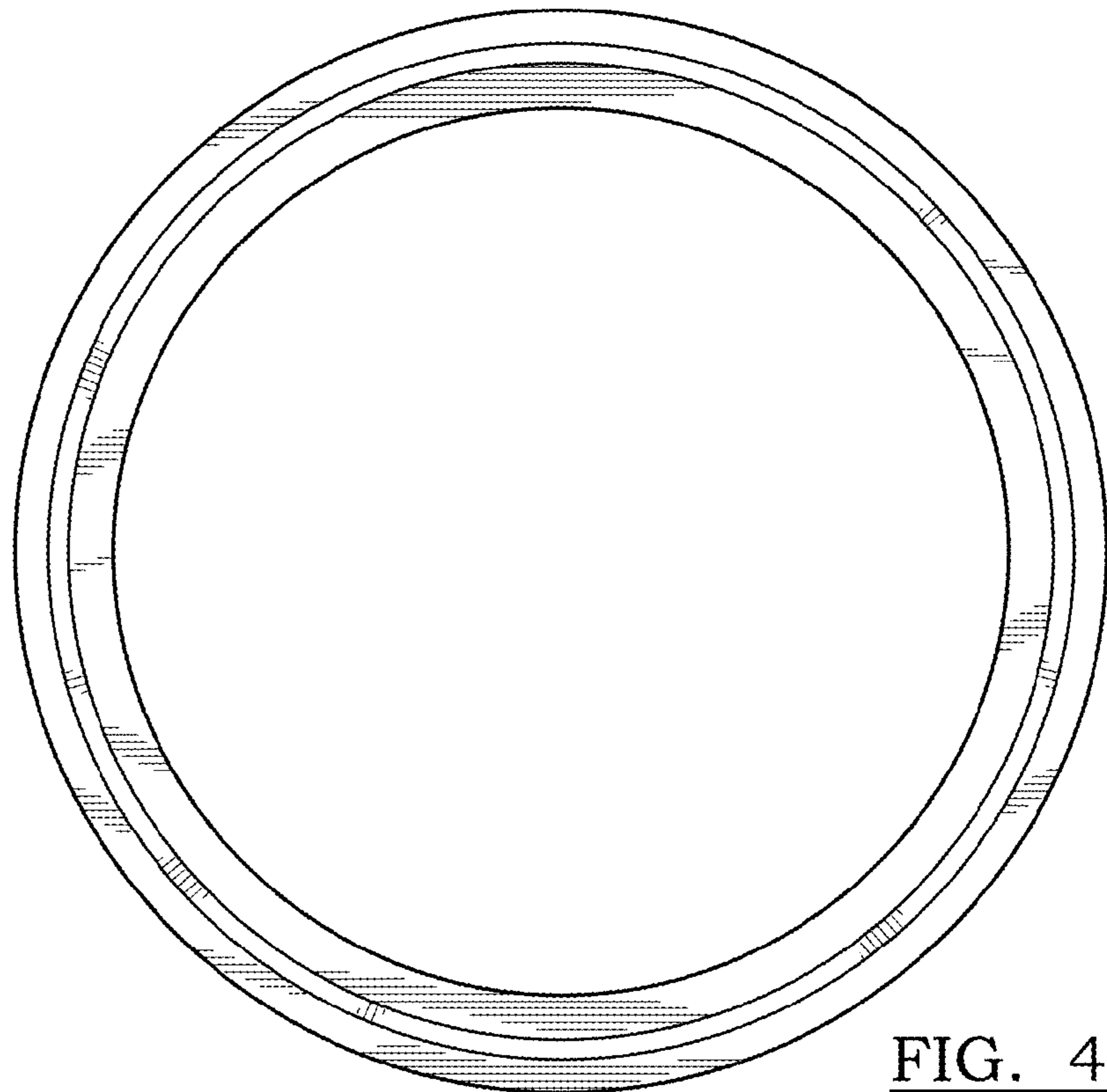


FIG. 4

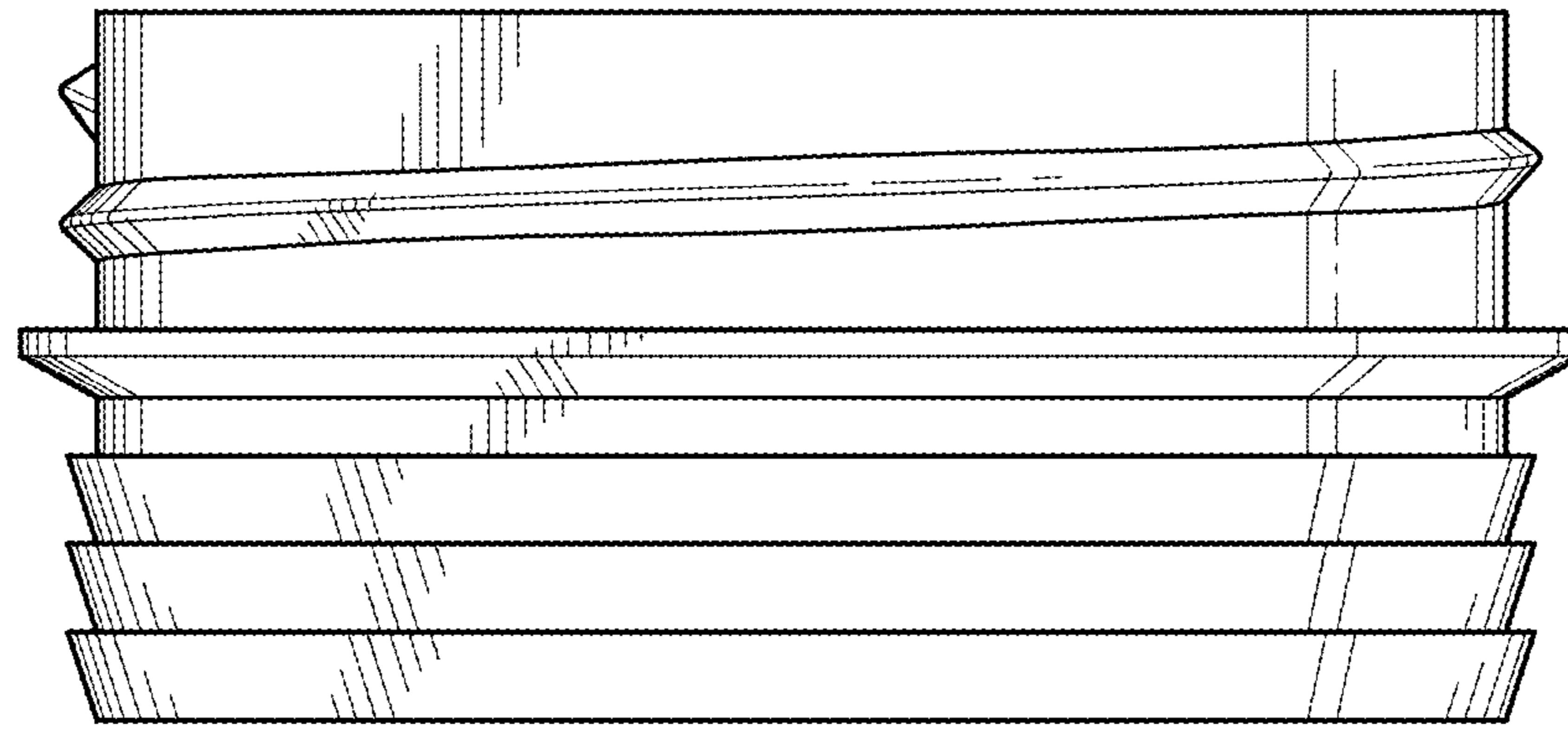


FIG. 5

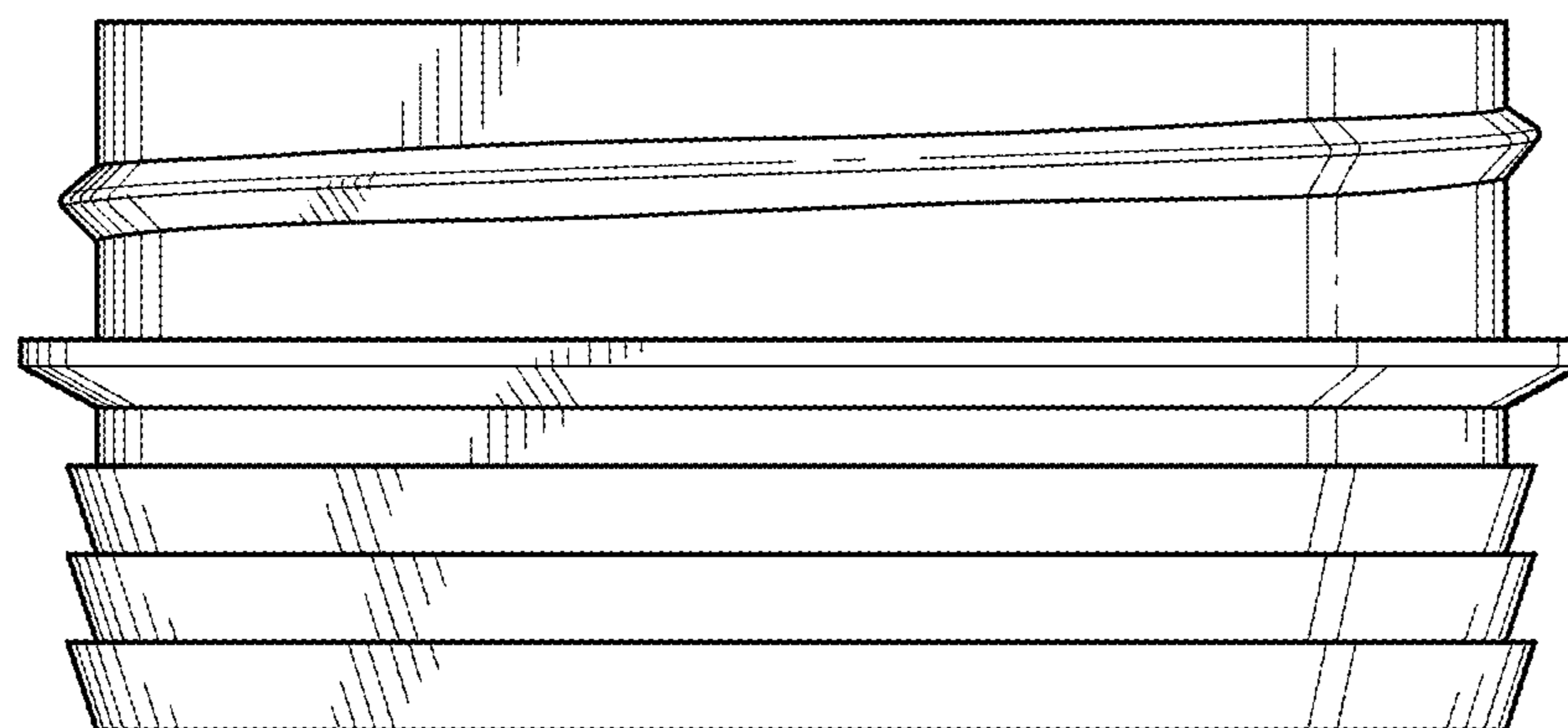


FIG. 6

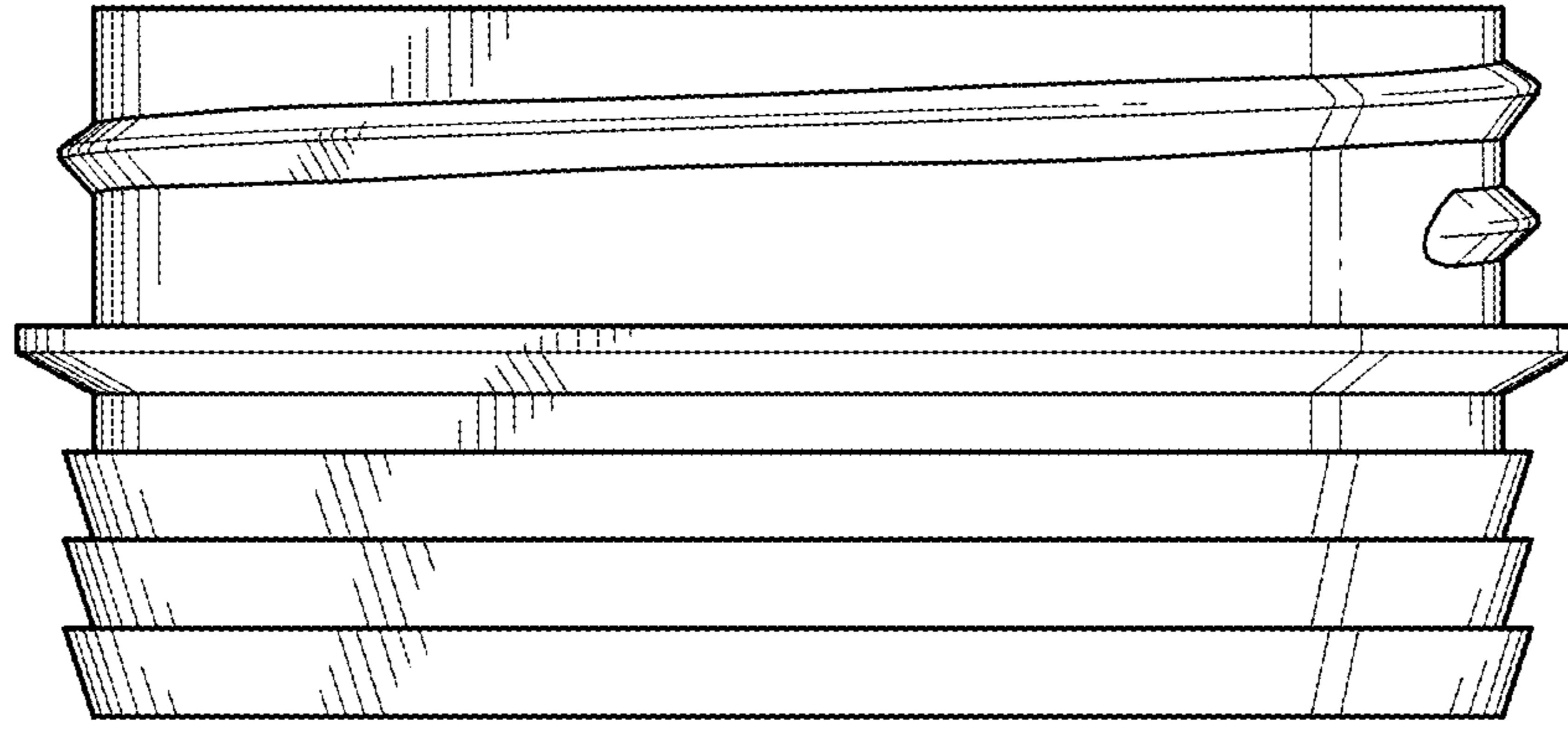


FIG. 7

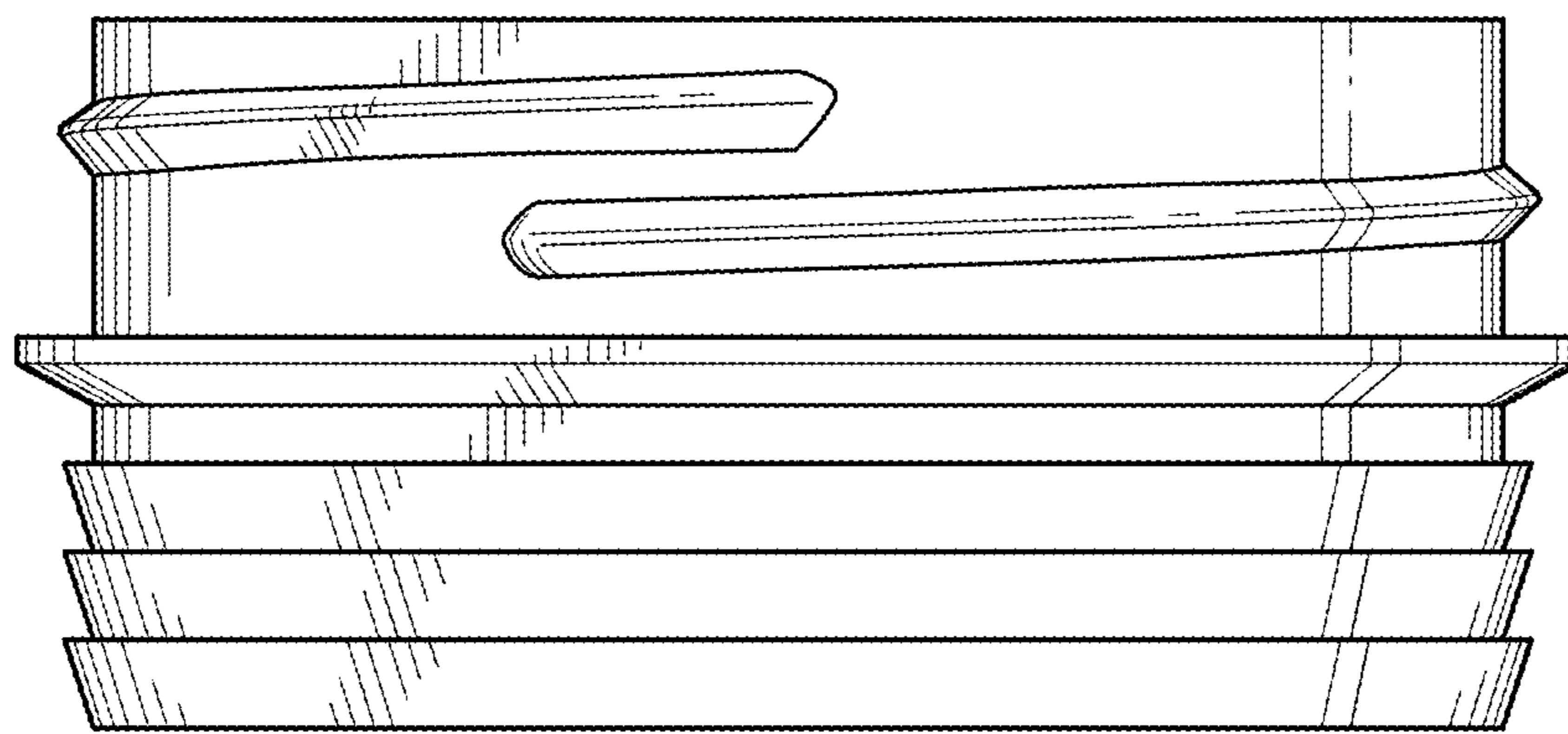


FIG. 8