



US00D924475S

(12) **United States Design Patent** (10) **Patent No.:** **US D924,475 S**
Ouyang (45) **Date of Patent:** **** Jul. 6, 2021**

(54) **E-CIGARETTE**

(71) Applicant: **Xuanwen Ouyang**, Guangdong Province (CN)

(72) Inventor: **Xuanwen Ouyang**, Guangdong Province (CN)

(**) Term: **15 Years**

(21) Appl. No.: **29/714,544**

(22) Filed: **Nov. 25, 2019**

(30) **Foreign Application Priority Data**

Nov. 7, 2019 (CN) 201930612362.X

(51) **LOC (13) Cl.** **27-02**

(52) **U.S. Cl.**
USPC **D27/162**

(58) **Field of Classification Search**
USPC D27/100, 101, 162, 163, 164, 165, 166, D27/167, 168, 169, 170, 171, 172, 173, D27/174, 175, 176, 177, 178, 179, 180, D27/181, 182, 183, 184, 185, 186, 187, D27/188, 189, 190, 191, 192, 193; D24/110, 110.5, 110.6; D28/91.1

CPC A24F 47/008; A24F 40/10; A24F 40/40; A24F 40/42; A24F 40/46; A24F 47/00; A24F 40/44; A24F 40/50; A24F 40/90; A24F 40/485; A24F 40/51; A24F 40/53; A24F 40/70; A24F 40/60; A24F 40/48; A24F 40/57; A24F 47/002; A24F 40/65; A24F 40/20; A24F 7/00; A24F 40/30; A24F 47/004; A24F 7/02; A24F 40/05; A24F 40/49; A24F 7/04; A24F 15/015; A24F 1/32; A24F 40/00; A24F 40/85; A24F 40/95; A24F 42/60; A24F 9/16; A61M 11/042; A61M 15/06; A61M 2205/8206; A61M 2205/3653; A61M 2016/0024; A61M 11/005; A61M 2016/0027; A61M 2205/587; A61M 11/003; A61M 11/044; A61M 15/002; A61M 15/0085; A61M

(Continued)

(56) **References Cited**

U.S. PATENT DOCUMENTS

D799,112 S * 10/2017 Qiu D27/101
D818,636 S * 5/2018 Qiu D27/101

(Continued)

FOREIGN PATENT DOCUMENTS

CN 201830545145.9 * 1/2019
CN 201930390883.5 * 2/2020

(Continued)

OTHER PUBLICATIONS

Baton Ultra Portable Starter Kit. By Baton Vapor. Dated Jul. 13, 2018. Found online [Nov. 18, 2020]. <https://breazy.com/products/baton-ultra-portable-starter-kit-baton-vapor> (Year: 2018).*

Primary Examiner — Marissa J Cash
Assistant Examiner — William B Melliar

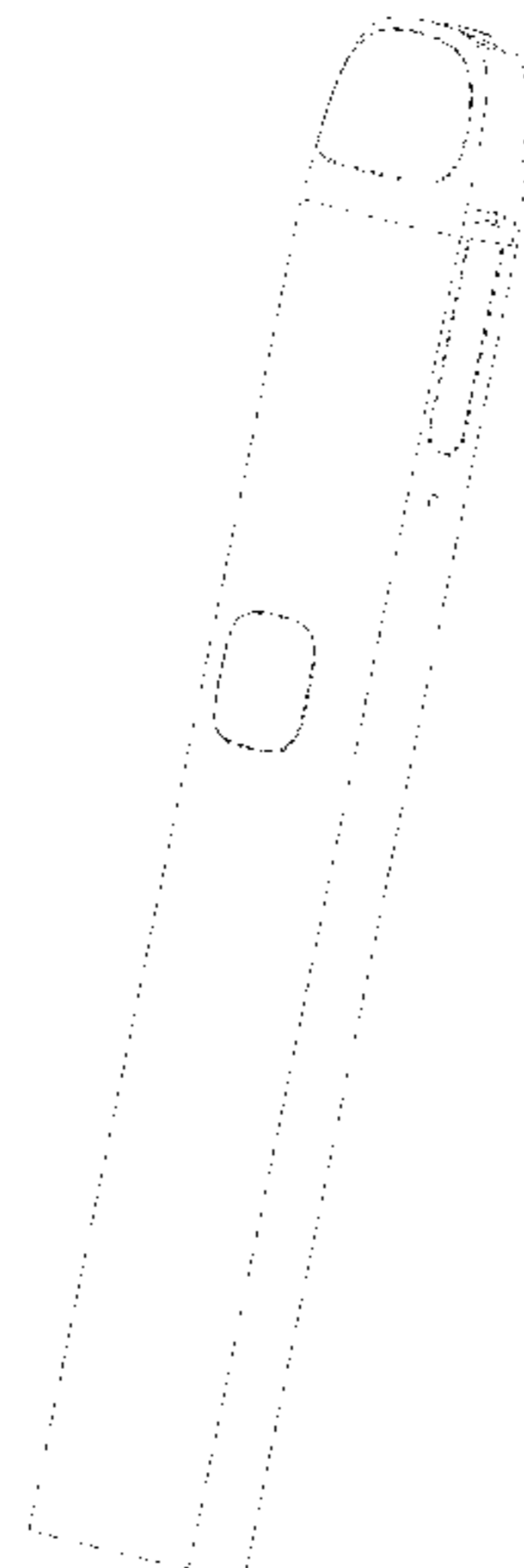
(57) **CLAIM**

The ornamental design for an E-cigarette, as shown and described.

DESCRIPTION

Fig. 1 is a front elevational view of an E-cigarette showing my new design;
FIG. 2 is a rear elevational view thereof;
FIG. 3 is a right side view thereof;
FIG. 4 is a left side view thereof;
FIG. 5 is a top plan view thereof;
FIG. 6 is a bottom plan view thereof;
FIG. 7 is a perspective view thereof; and,
FIG. 8 is an exploded view thereof.
The broken lines shown illustrate parts of the E-cigarette that form no part of the claimed design.

1 Claim, 5 Drawing Sheets



(58) **Field of Classification Search**

CPC 16/0003; A61M 2205/3368; A61M 2205/8256; A61M 11/001; A61M 11/04; A61M 15/0021; A61M 2016/0018; A61M 2016/0021; A61M 2021/0016; A61M 2205/8268; A61M 2209/02; A61M 11/041; A61M 15/0025; A61M 15/008; A61M 2016/0033; A61M 2016/0039; A61M 21/00; A61M 2205/0211; A61M 2205/3331; A61M 2205/3334; A61M 2205/3379; A61M 2205/52; A61M 2205/58; A61M 2205/583; A61M 2205/6018; A61M 2205/6054; A61M 2205/75; A61M 2206/11; A61M 2206/20; A61M 2209/045; A24B 15/167; A24B 15/16; A24B 15/18; A24B 15/303; A24B 15/308; A24B 15/34; A24D 3/10; A24D 3/048

See application file for complete search history.

(56) **References Cited**

U.S. PATENT DOCUMENTS

D829,980 S * 10/2018 Qiu D27/162
 D831,885 S * 10/2018 Wang D27/101

D832,500 S * 10/2018 Qiu D27/162
 D834,246 S * 11/2018 Qiu D27/162
 D855,251 S * 7/2019 Qiu D27/162
 D864,476 S * 10/2019 Qiu D27/162
 D870,372 S * 12/2019 Zhu D27/167
 D881,457 S * 4/2020 Ouyang D27/162
 D885,655 S * 5/2020 Ding D27/162
 D885,657 S * 5/2020 Lai D27/194
 D887,631 S * 6/2020 Lai D27/162
 D889,736 S * 7/2020 Han D27/162
 D899,676 S * 10/2020 Liu D27/162
 D900,385 S * 10/2020 Wang D27/162
 2019/0124996 A1 * 5/2019 Qiu A24F 47/008
 2019/0174826 A1 * 6/2019 Zhu A24F 47/008
 2020/0113241 A1 * 4/2020 Liu A24F 47/008
 2020/0237007 A1 * 7/2020 Qiu A24F 40/90

FOREIGN PATENT DOCUMENTS

CN 202030129215.X * 8/2020
 CN 202030327566.1 * 10/2020
 CN 202030225831.5 * 11/2020
 CN 202030359240.7 * 11/2020
 CN 202030359915.8 * 11/2020
 CN 202030359922.8 * 11/2020

* cited by examiner

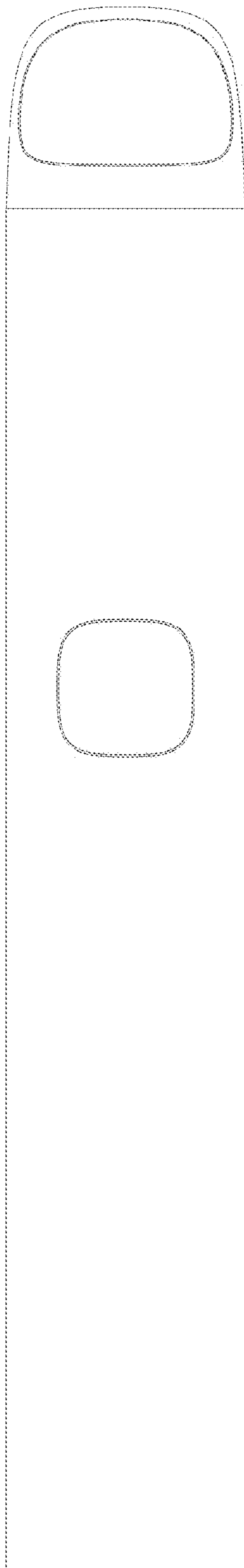


Fig. 1



Fig. 2

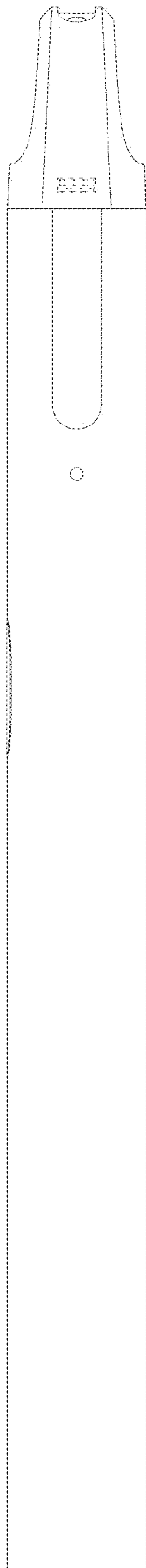


Fig. 3

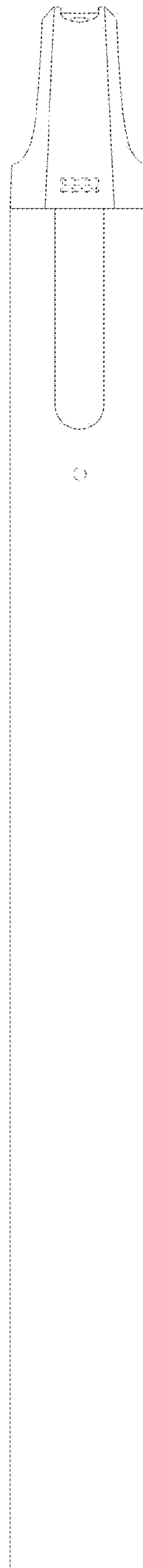


Fig. 4

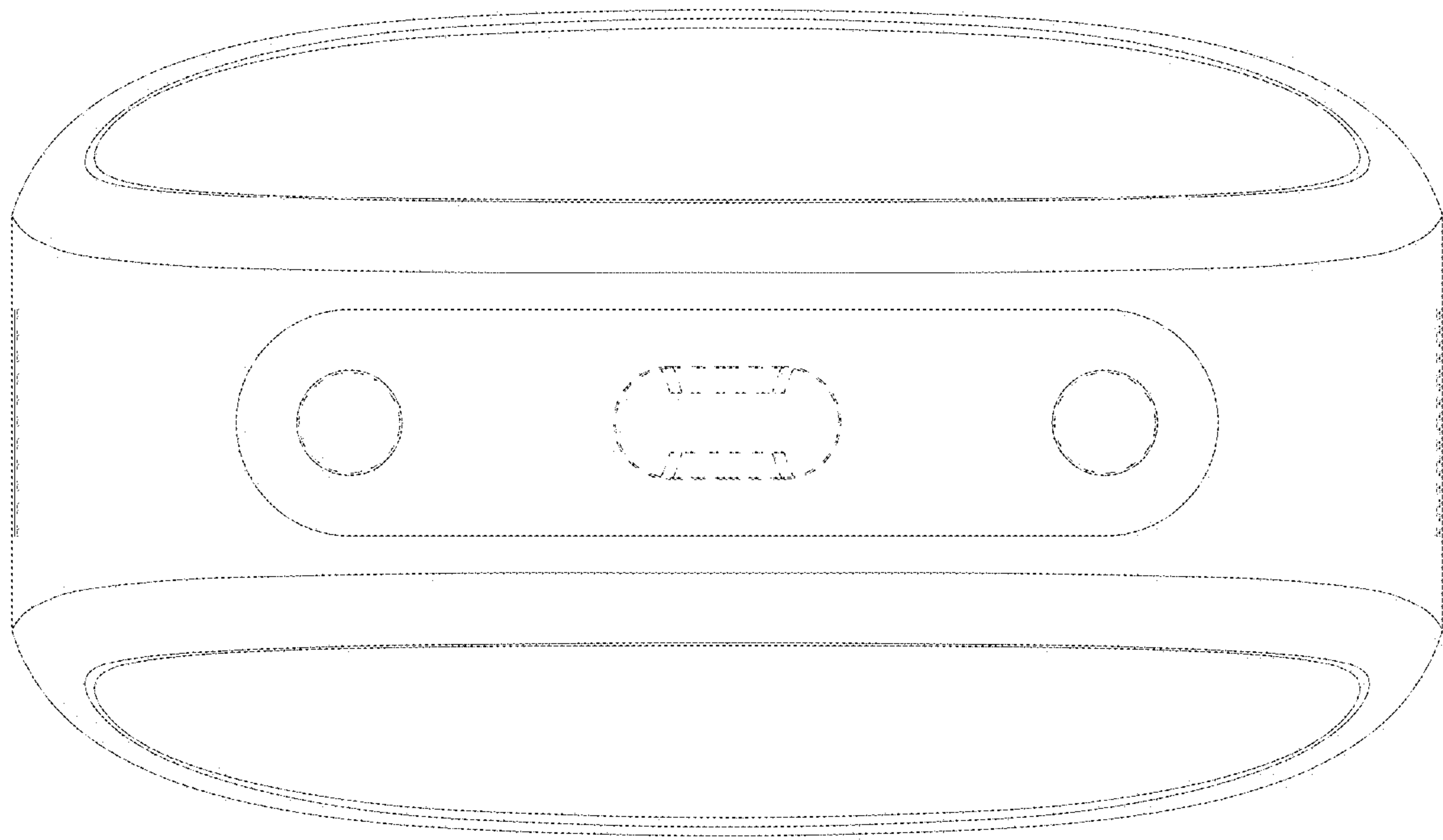


Fig. 5

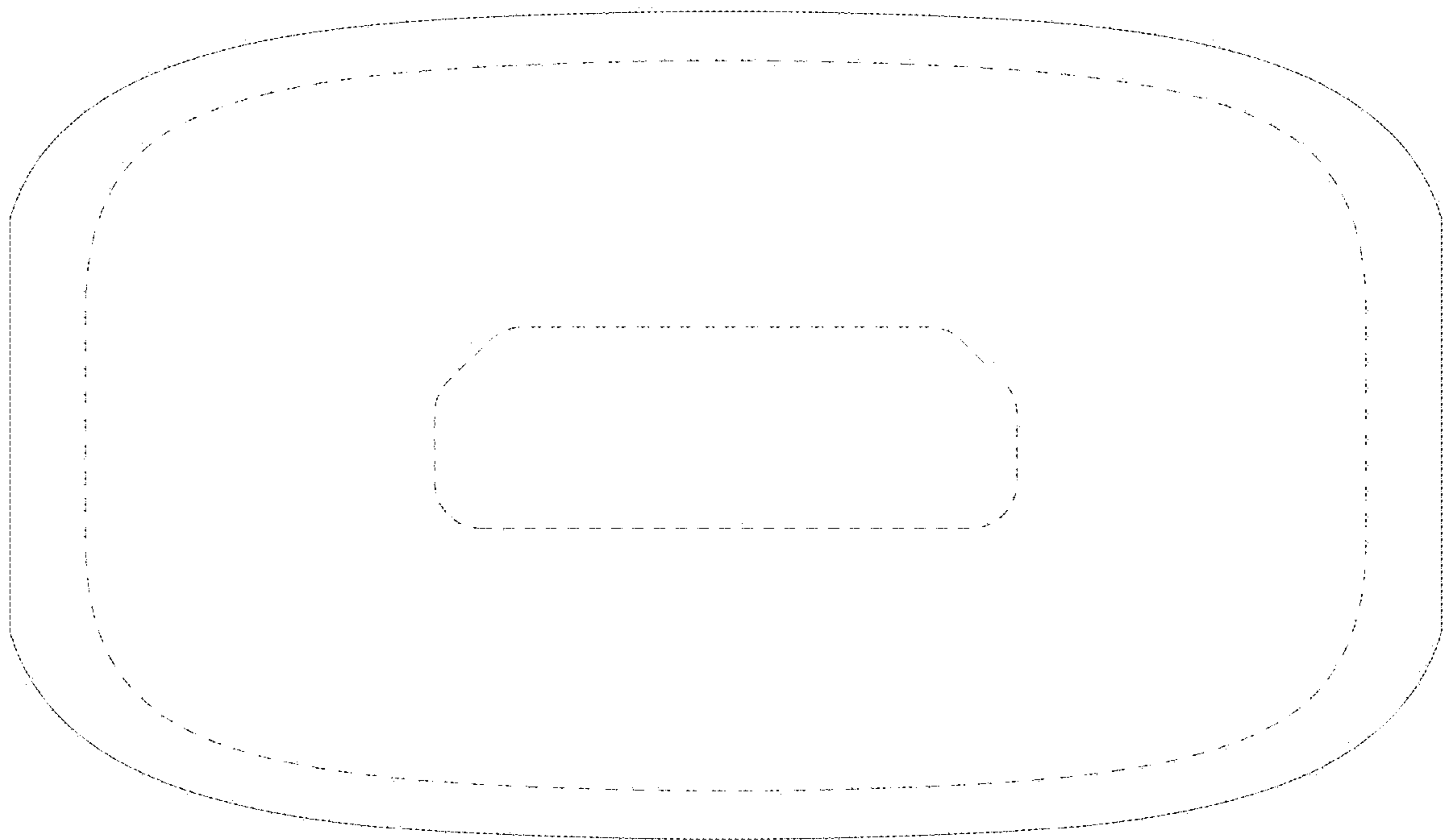


Fig. 6

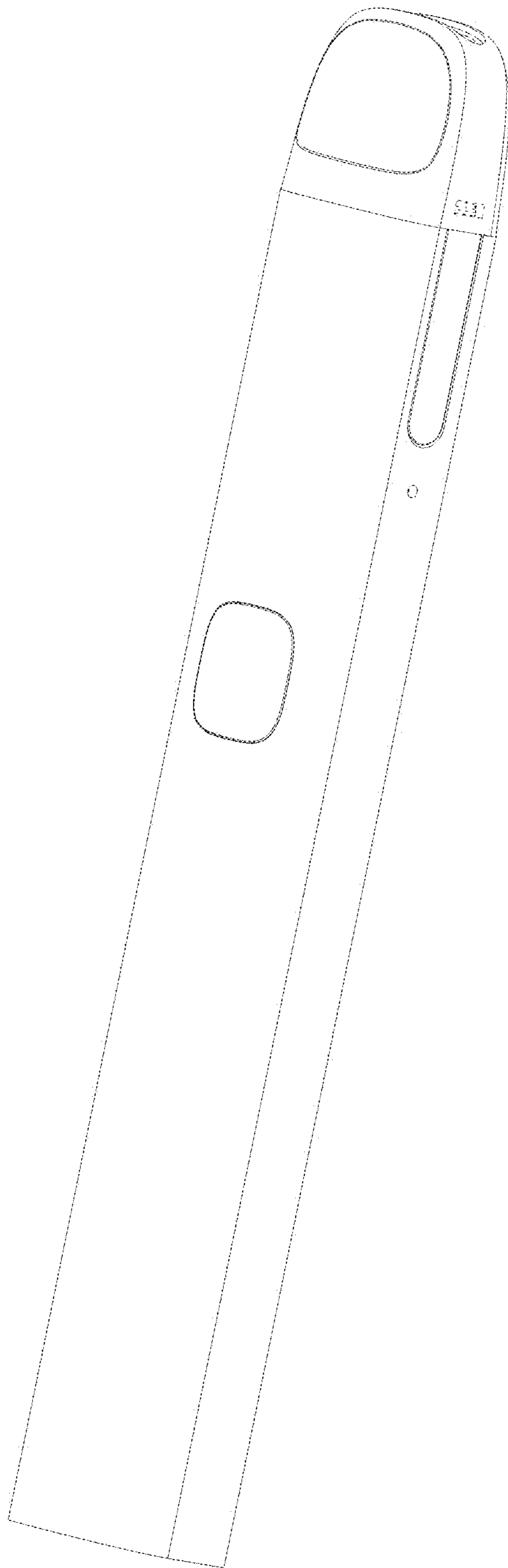


Fig. 7

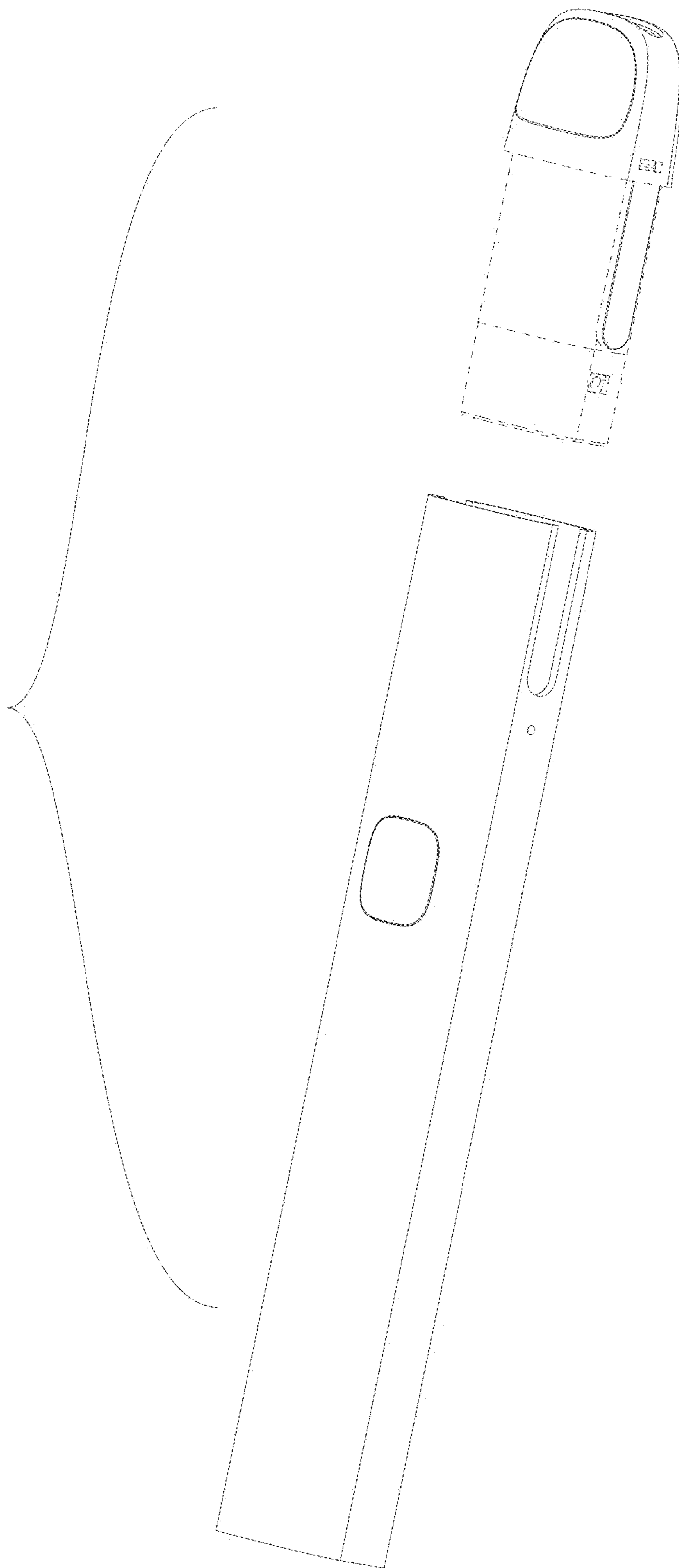


Fig. 8