



US00D924474S

(12) **United States Design Patent** (10) **Patent No.:** **US D924,474 S**
Huang (45) **Date of Patent:** **** Jul. 6, 2021**

(54) **VAPING DEVICE**
(71) Applicant: **Cloudious9 Inc.**, Fremont, CA (US)
(72) Inventor: **Richard Yao Tien Huang**, Fremont, CA (US)
(**) Term: **15 Years**
(21) Appl. No.: **29/698,999**
(22) Filed: **Jul. 22, 2019**
(51) **LOC (13) Cl.** **27-02**
(52) **U.S. Cl.**
USPC **D27/162**
(58) **Field of Classification Search**
USPC D27/162, 100, 101, 163–165, 172, 174,
D27/183, 185–194; D24/110, 110.5
CPC A24F 47/002; A24F 47/006; A24F 47/008;
A61M 15/00; A61M 15/06
See application file for complete search history.

D903,936 S * 12/2020 He D27/162
D907,286 S * 1/2021 Fornarelli D27/162
D909,666 S * 2/2021 Fornarelli D27/162
2016/0120224 A1 5/2016 Mishra et al.
2017/0172205 A1 6/2017 Chang et al.
2019/0001086 A1 1/2019 Garthaffner et al.
2019/0090539 A1 3/2019 Rostami et al.

(Continued)

Primary Examiner — Marissa J Cash
Assistant Examiner — Rebecca Tsehaye
(74) *Attorney, Agent, or Firm* — Olav M. Underdal; IDP Patent Services

(57) **CLAIM**

The ornamental design for a vaping device, as shown and described.

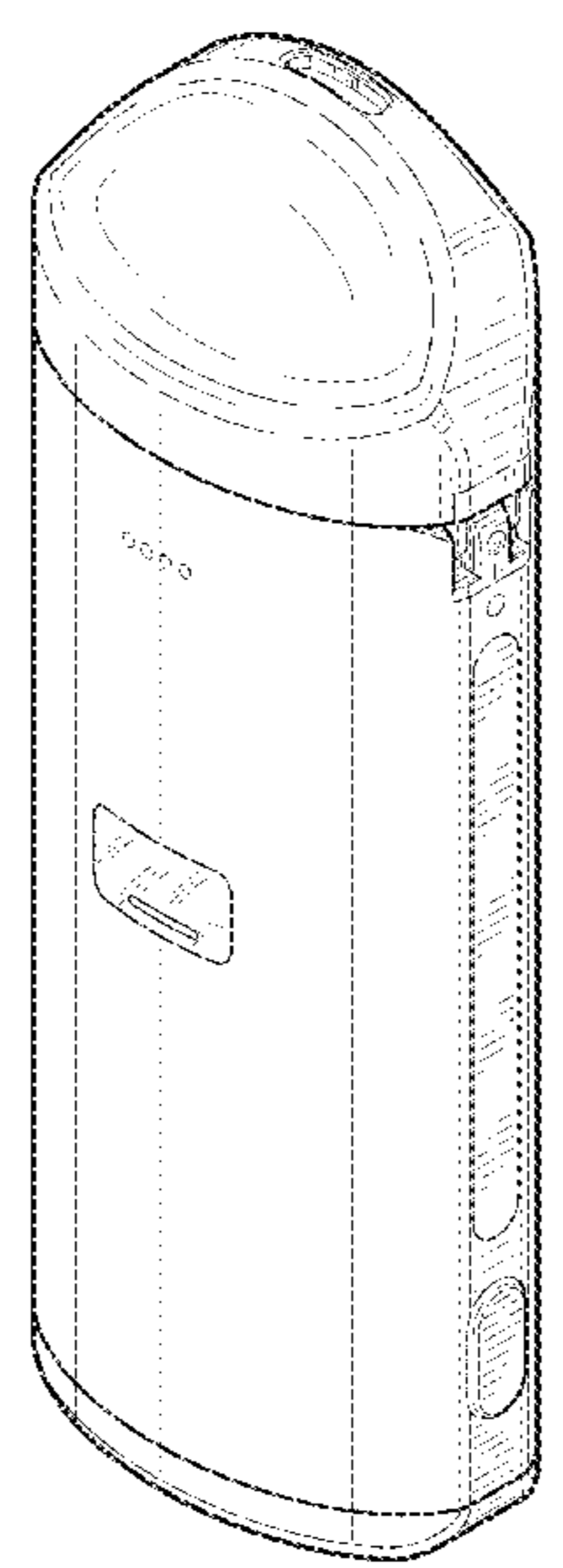
DESCRIPTION

FIG. 1 is a top perspective view of a vaping device showing my new design in a closed configuration;
FIG. 2 is a bottom perspective view thereof;
FIG. 3 is a front view thereof;
FIG. 4 is a rear view thereof;
FIG. 5 is a top view thereof;
FIG. 6 is a bottom view thereof;
FIG. 7 is a right side view thereof;
FIG. 8 is a left side view thereof;
FIG. 9 is a top perspective view of the vaping device in an open configuration;
FIG. 10 is a bottom perspective view thereof;
FIG. 11 is a front view thereof;
FIG. 12 is a rear view thereof;
FIG. 13 is a right side view thereof;
FIG. 14 is a left side view thereof;
FIG. 15 is a bottom view thereof; and,
FIG. 16 is a top view thereof.

The broken lines show unclaimed portions of the vaping device only and form no part of the claimed design.

1 Claim, 12 Drawing Sheets

(56) **References Cited**
U.S. PATENT DOCUMENTS
D736,460 S * 8/2015 McKeon D27/189
9,681,688 B1 6/2017 Rinehart et al.
D799,113 S * 10/2017 Qiu D27/101
10,021,910 B2 7/2018 Gavriellov et al.
D828,953 S * 9/2018 Chen D27/167
D829,980 S * 10/2018 Qiu D27/162
D855,251 S * 7/2019 Qiu D27/162
D860,517 S * 9/2019 Qiu D27/101
D863,673 S * 10/2019 Lai D27/162
D869,086 S * 12/2019 Pan D27/162
D870,372 S * 12/2019 Zhu D27/167
D874,718 S * 2/2020 Qiu D27/162
D876,004 S * 2/2020 Wang D27/101
D884,269 S * 5/2020 Lai D27/162
D885,655 S * 5/2020 Ding D27/162
D887,631 S * 6/2020 Lai D27/162
D898,991 S * 10/2020 Pan D27/162
D898,992 S * 10/2020 Chen D27/162
D902,475 S * 11/2020 Liu D27/162



(56)

References Cited

U.S. PATENT DOCUMENTS

2019/0116884 A1 4/2019 Conley et al.
2019/0183182 A1 6/2019 Tucker et al.

* cited by examiner

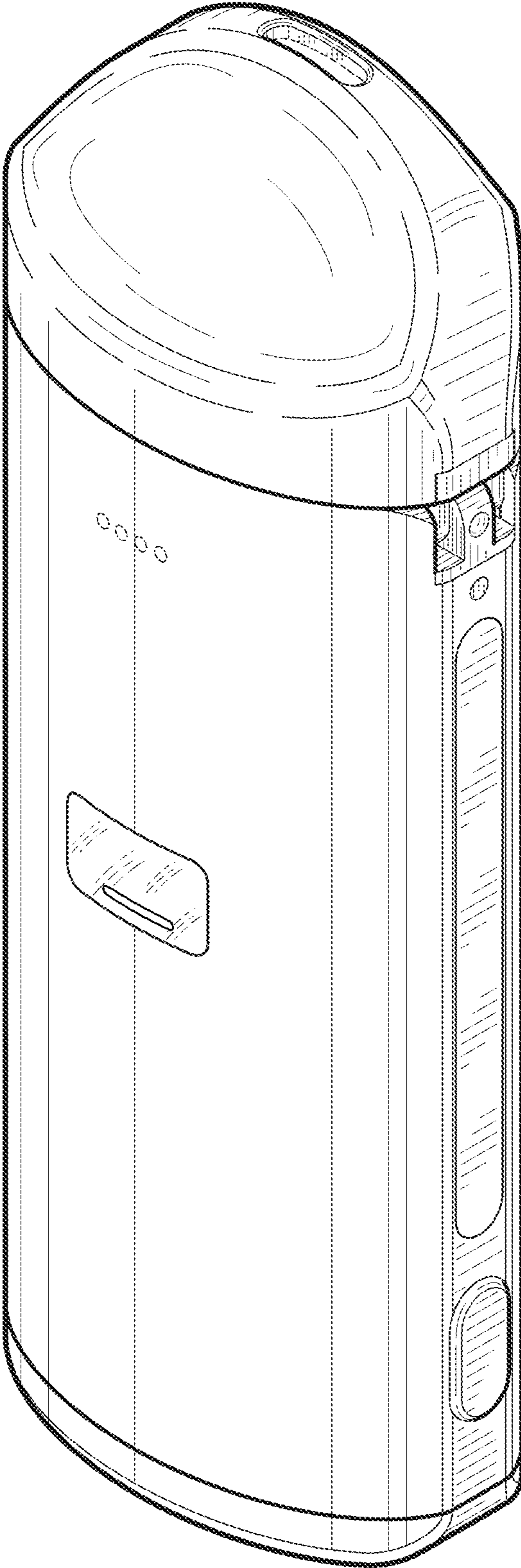


FIG. 1

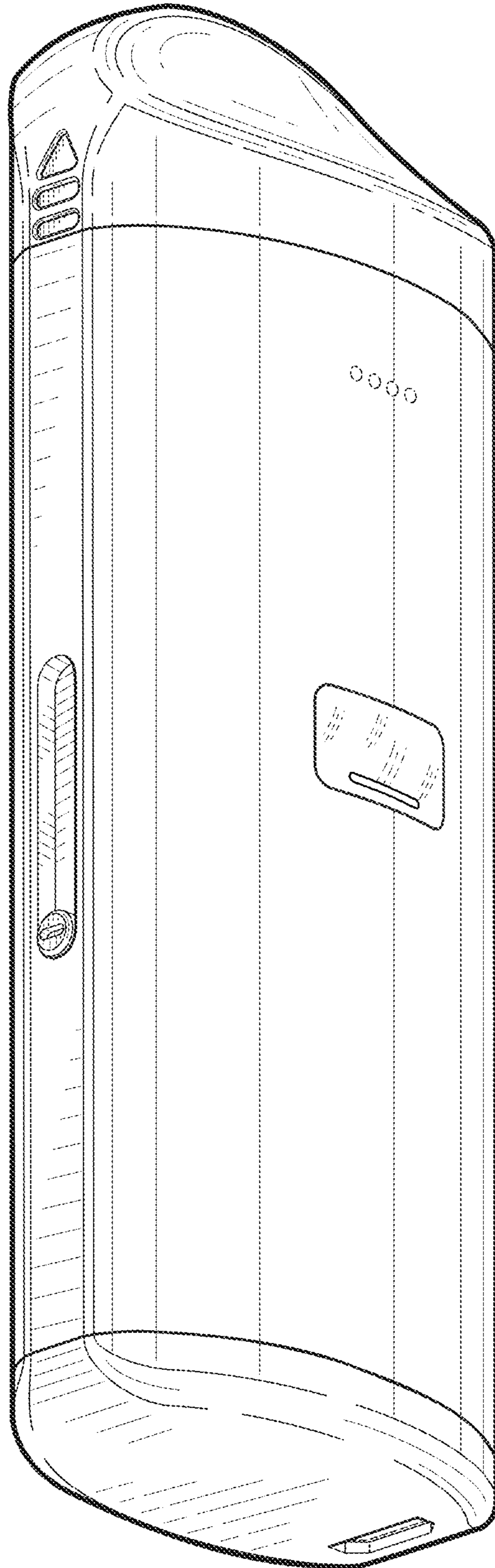


FIG. 2

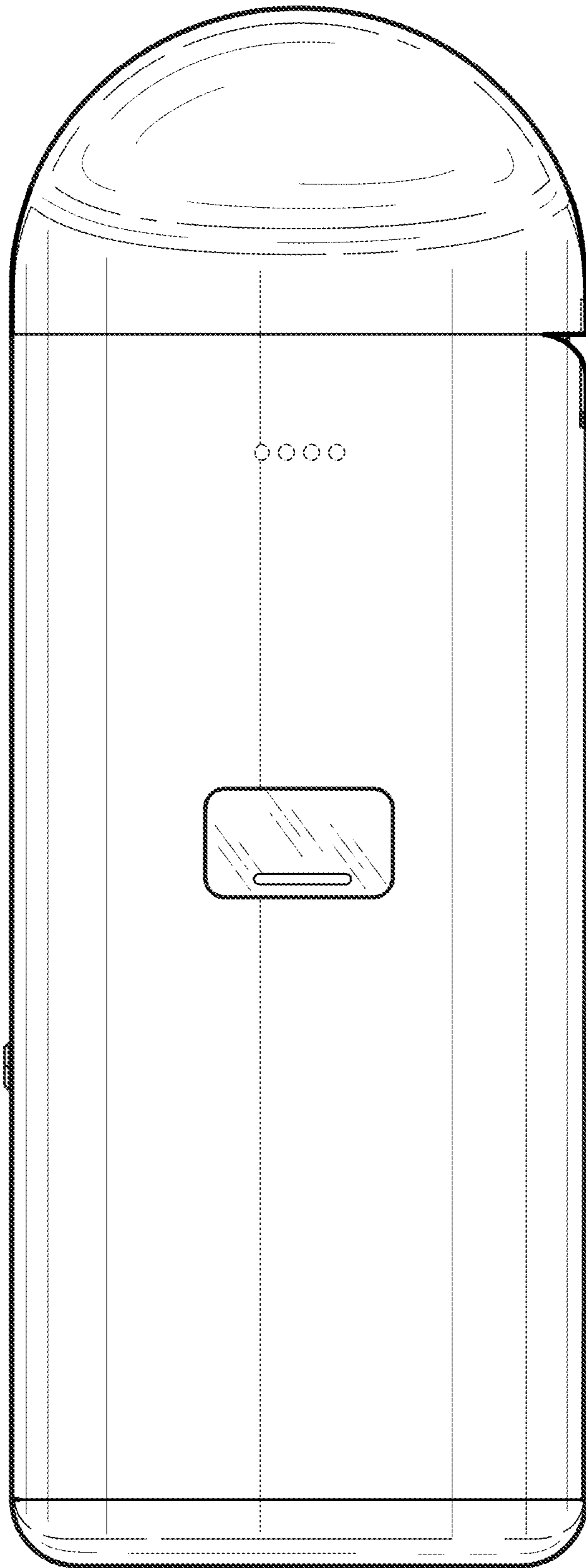


FIG. 3

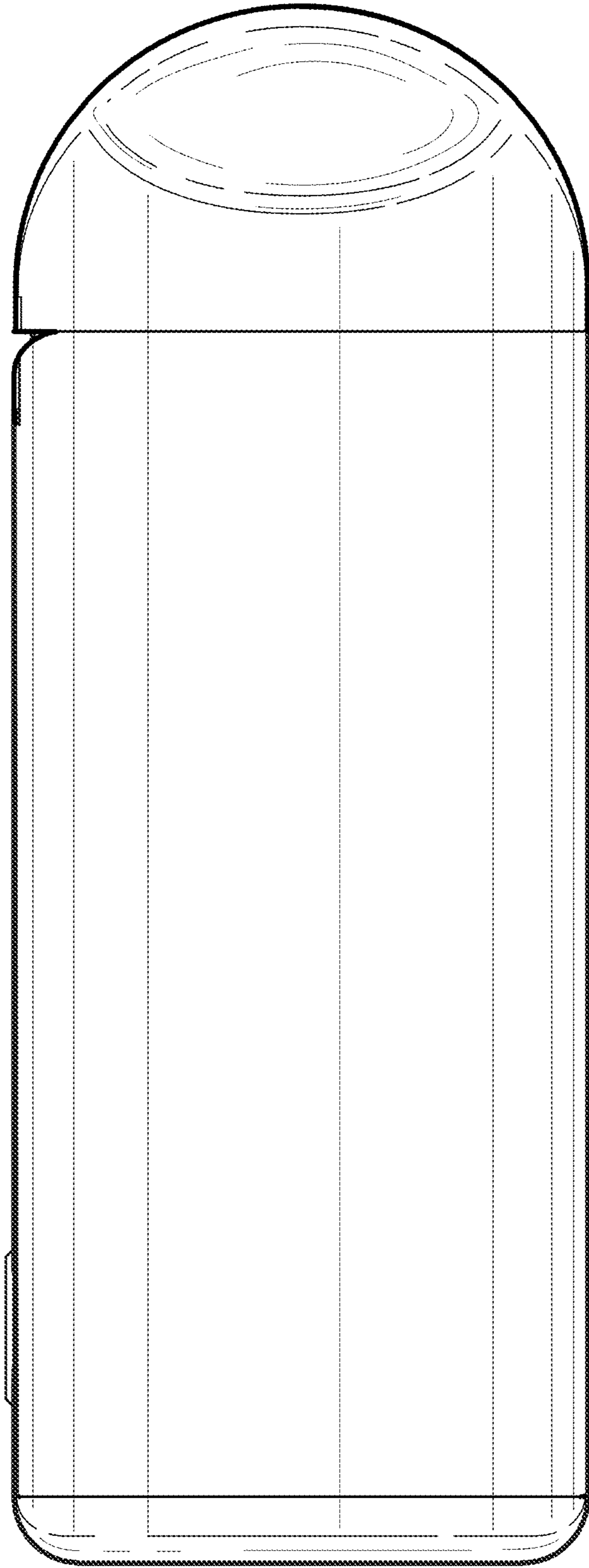


FIG. 4

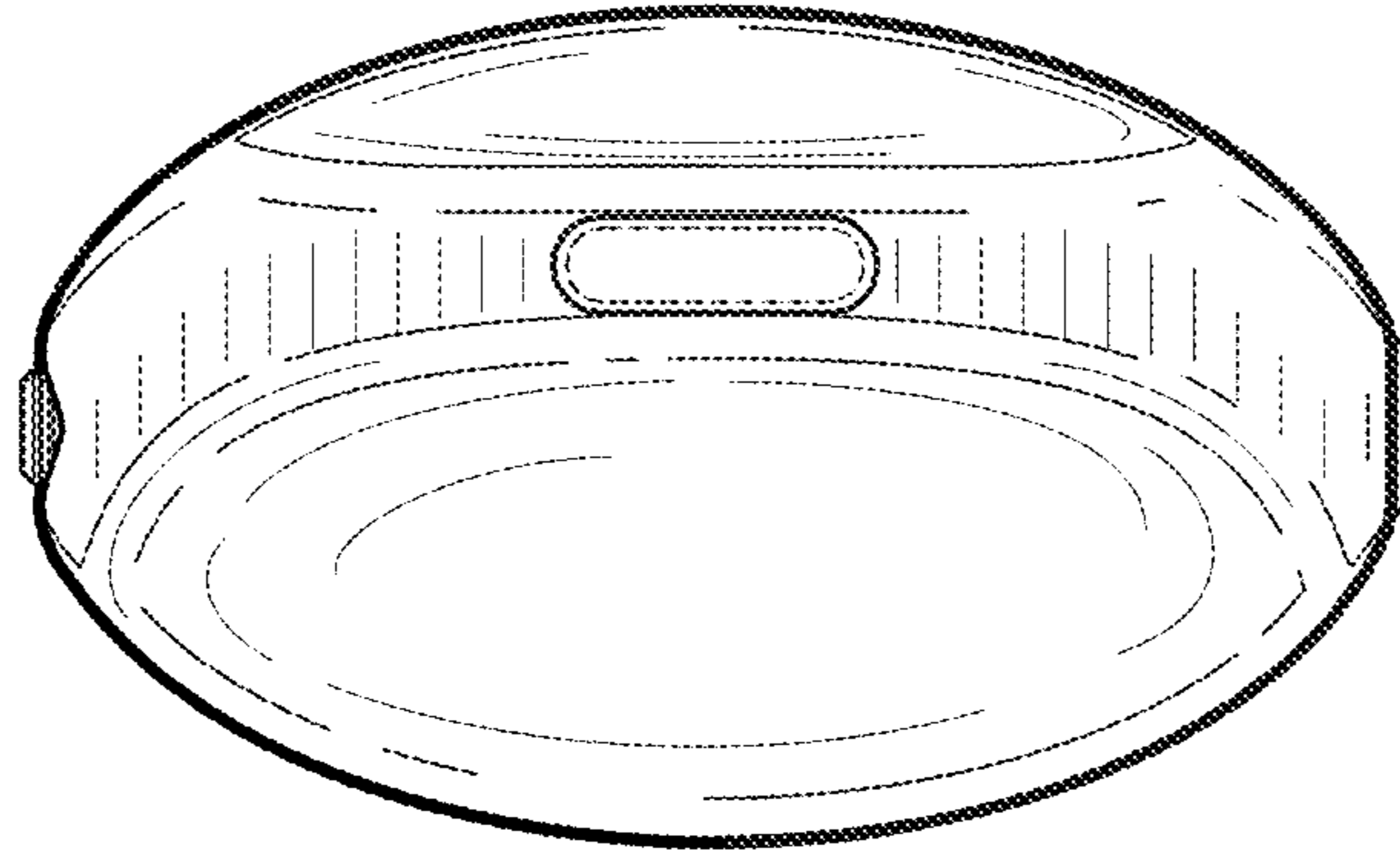


FIG. 5

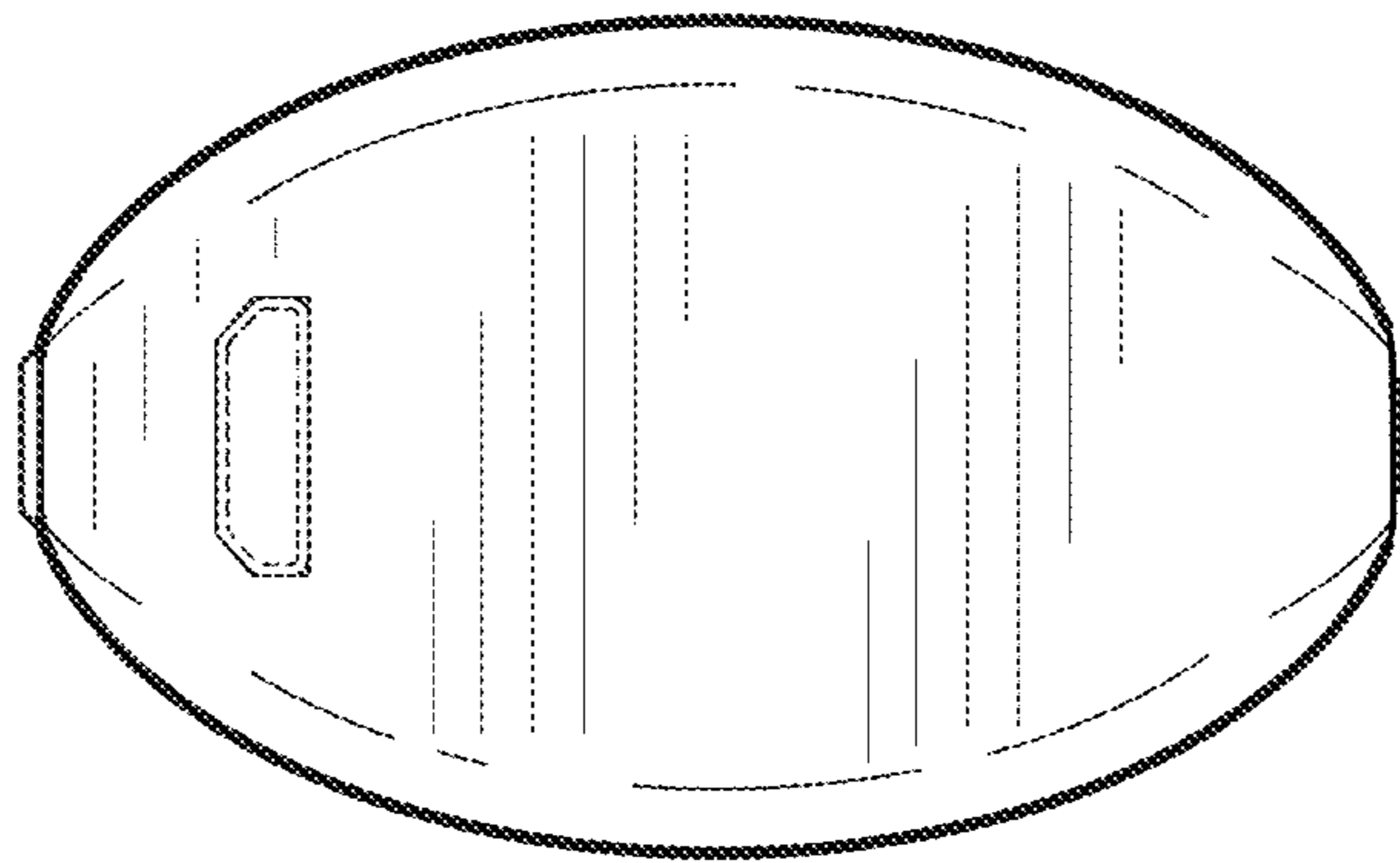


FIG. 6

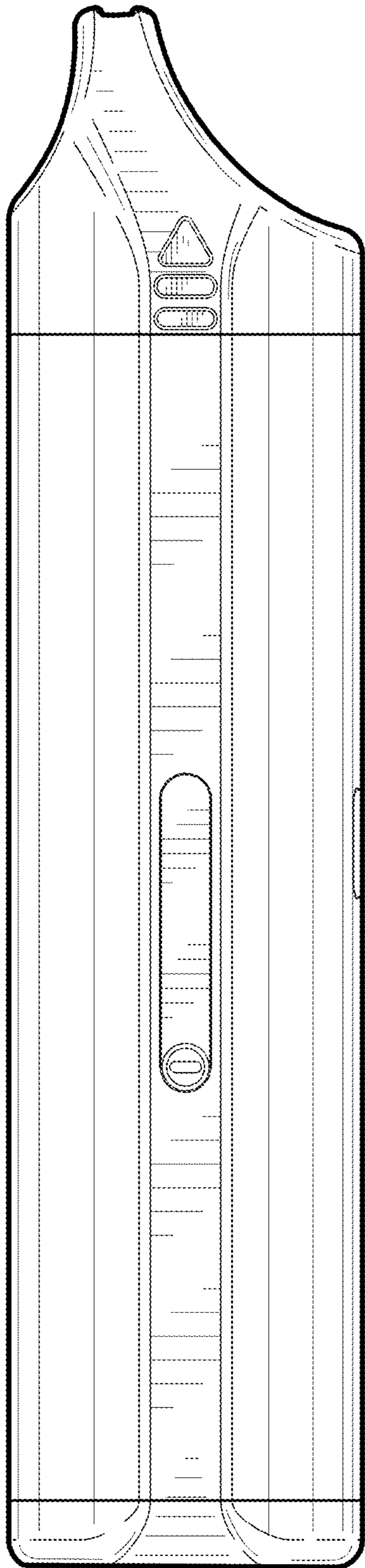


FIG. 7

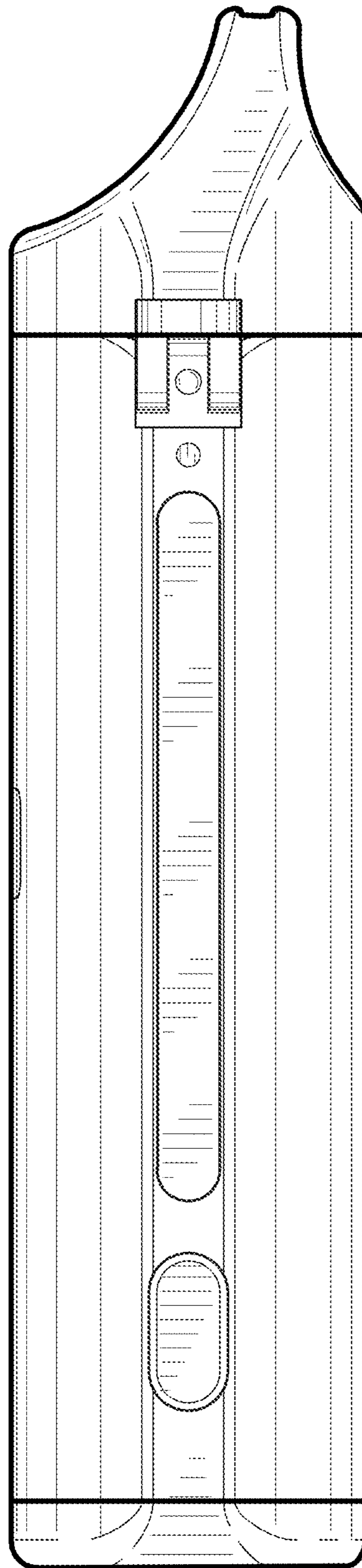


FIG. 8

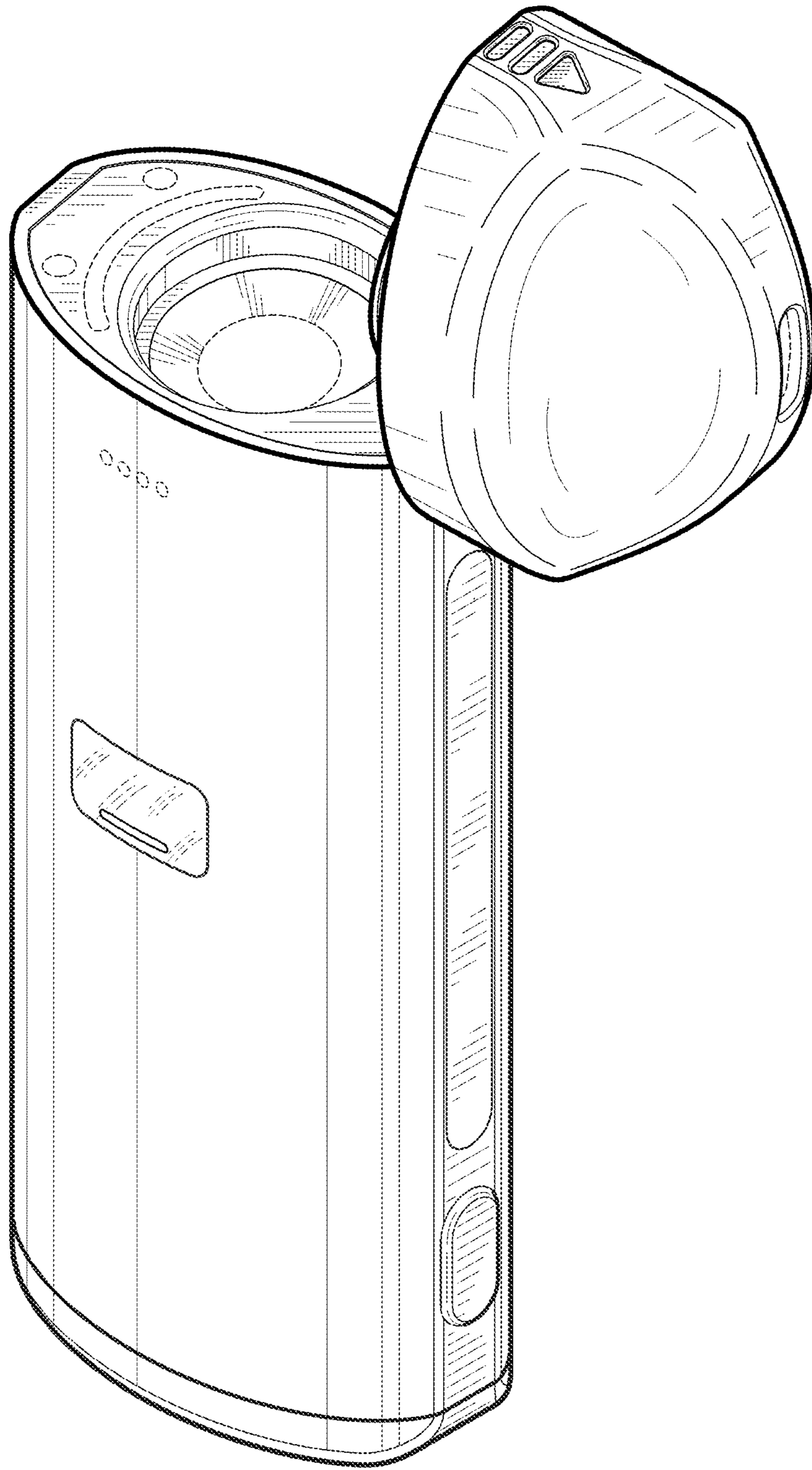


FIG. 9

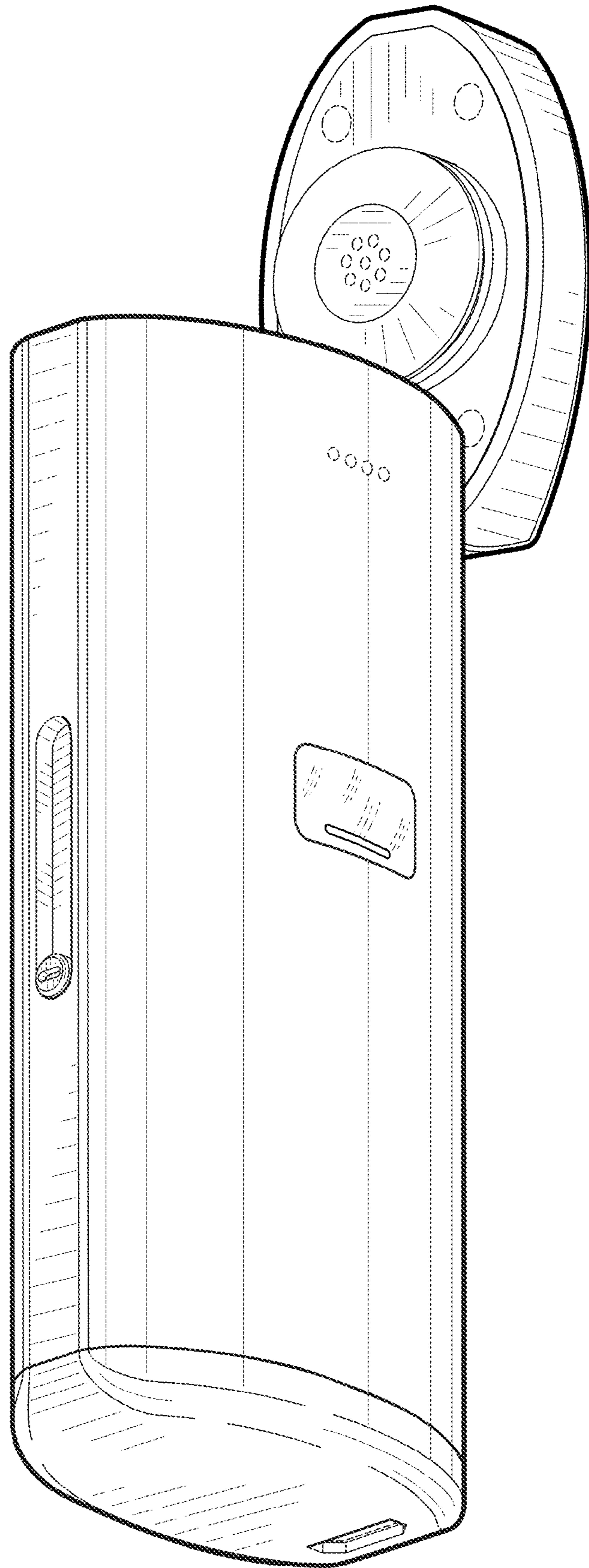


FIG. 10

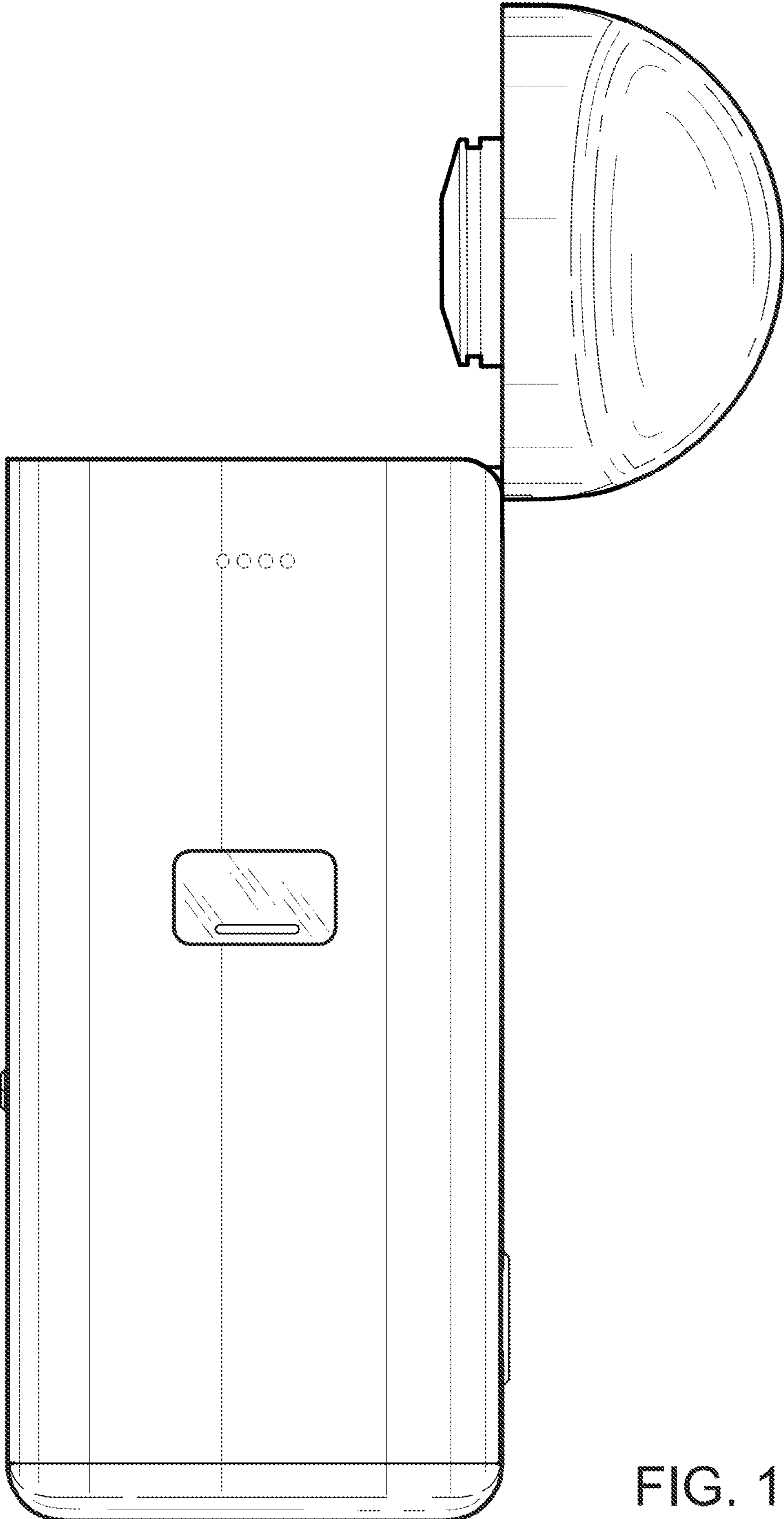


FIG. 11

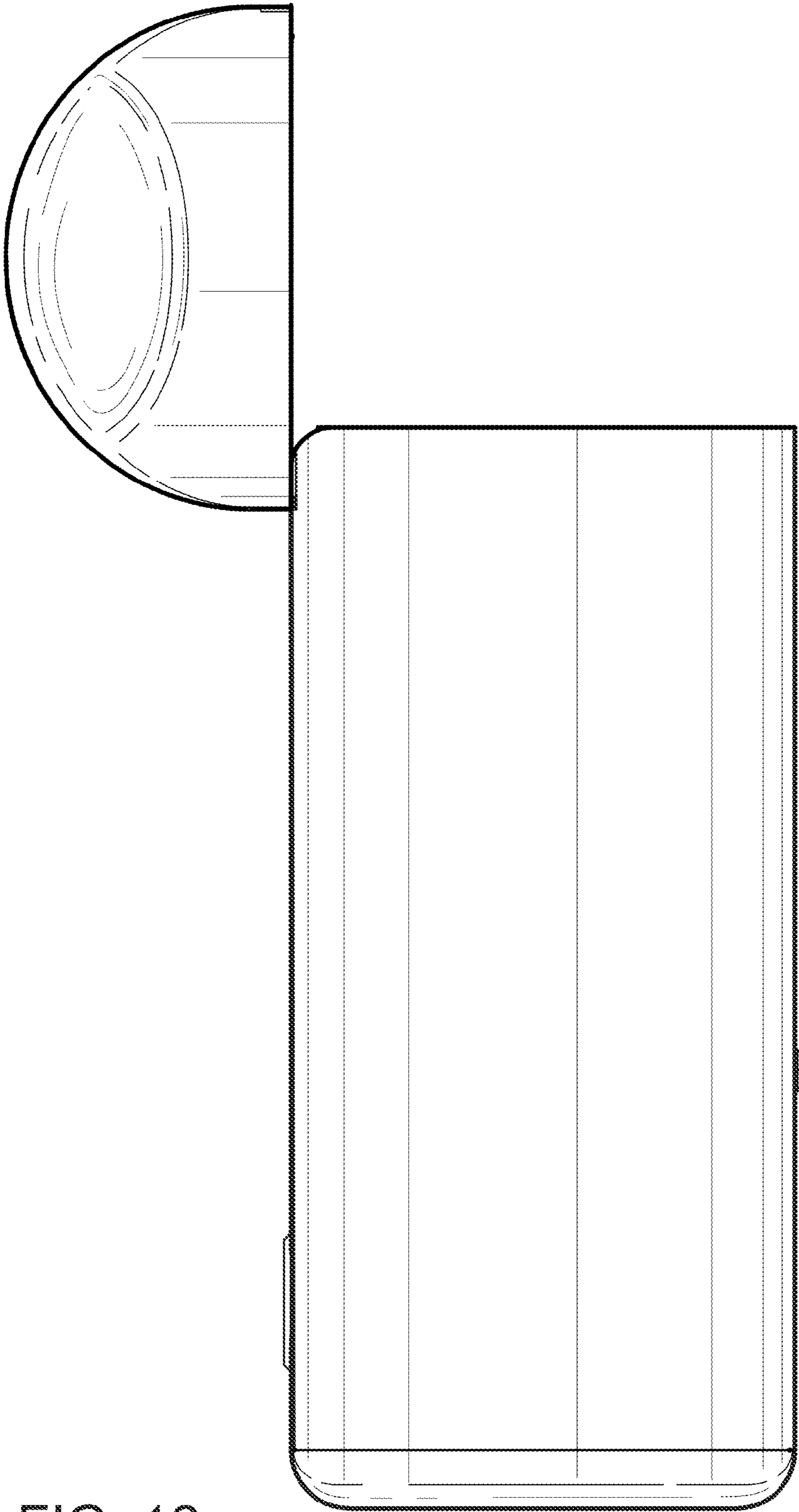


FIG. 12

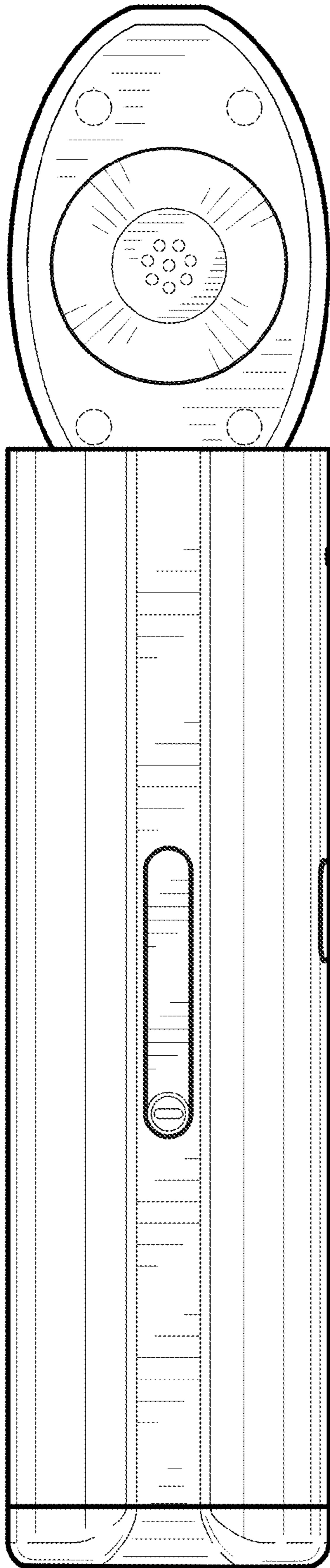


FIG. 13

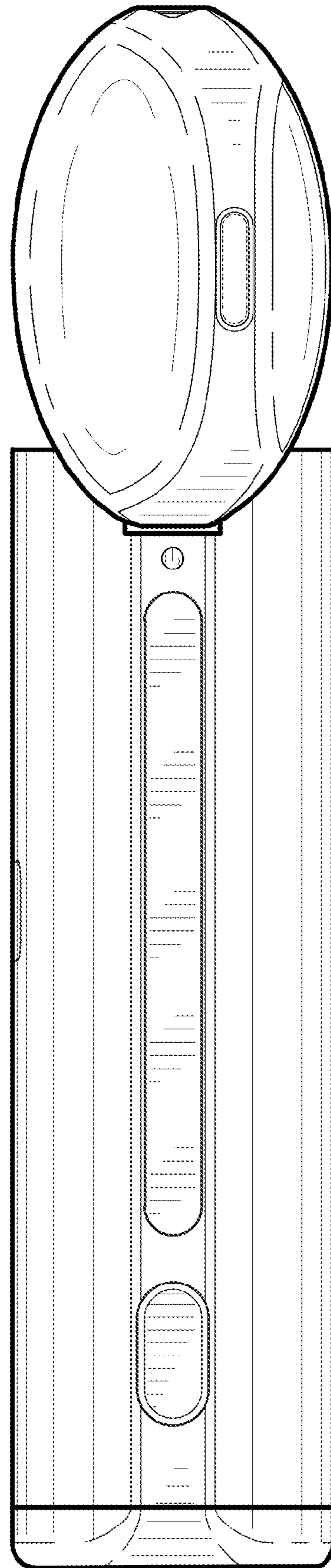


FIG. 14

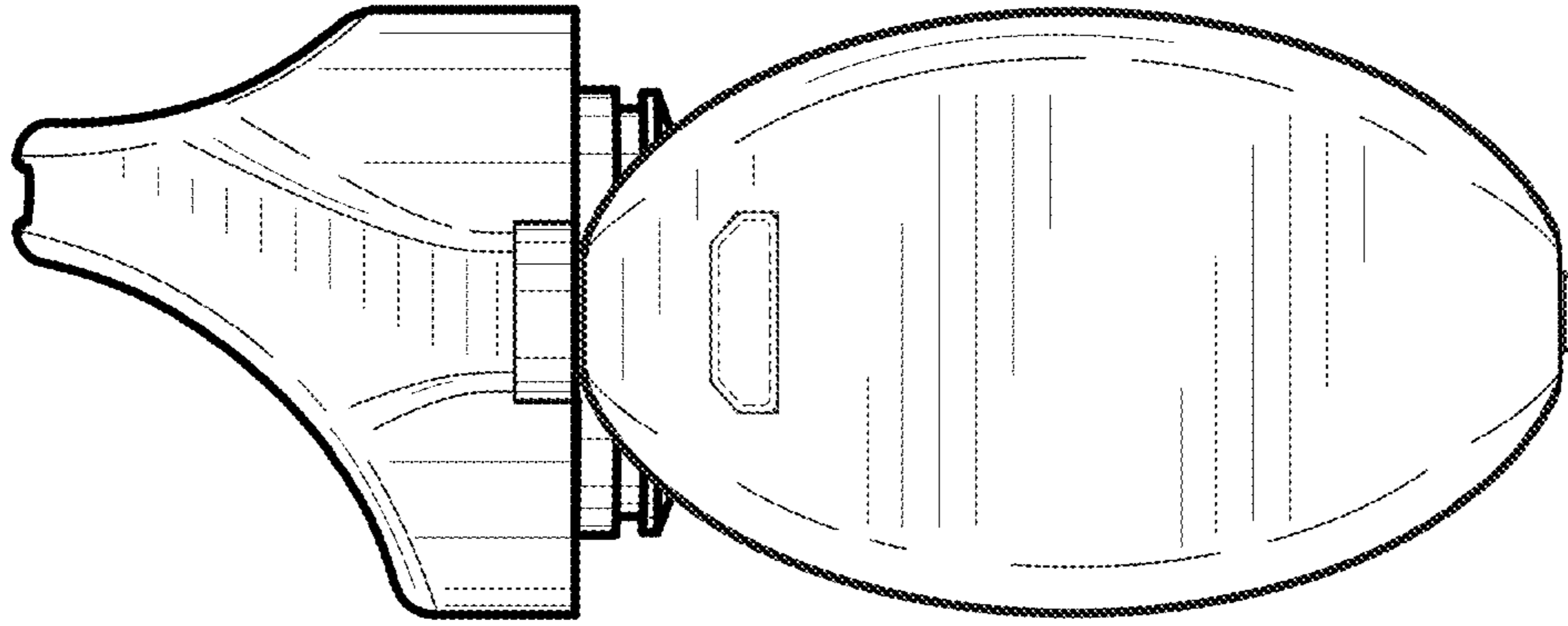


FIG. 15

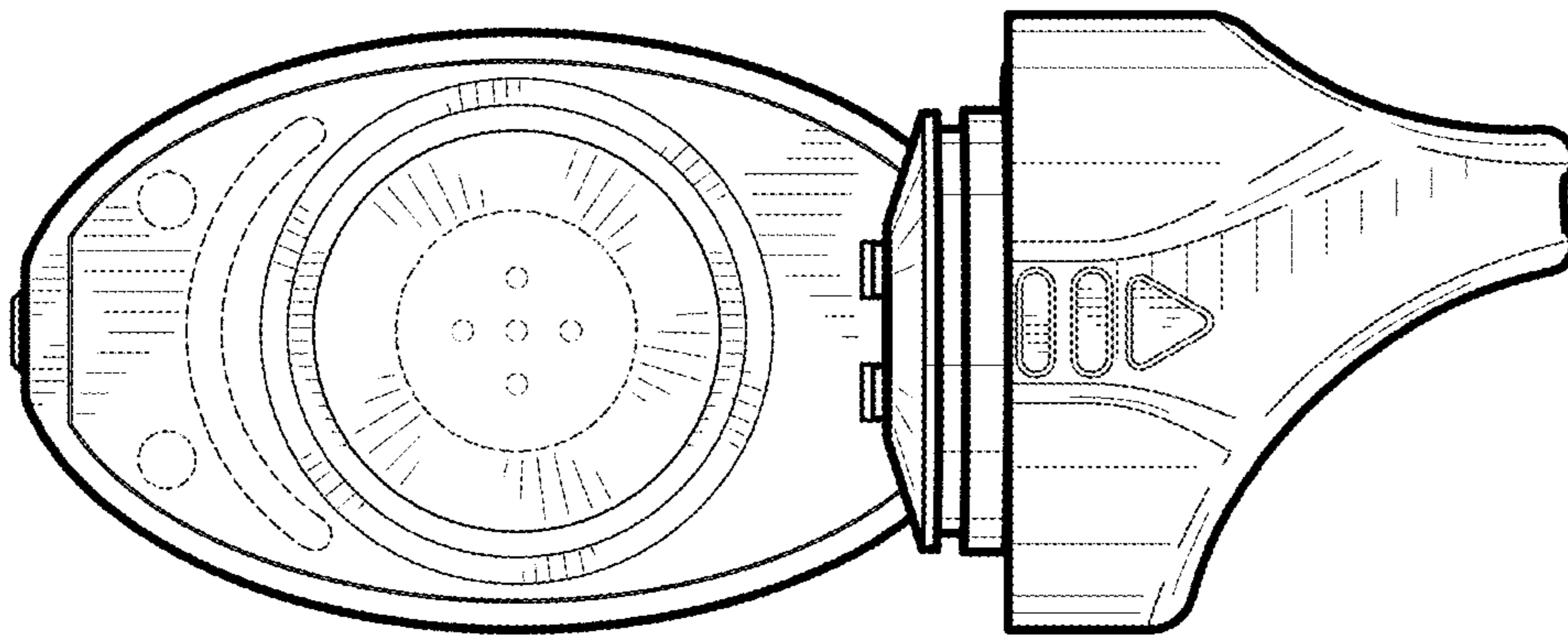


FIG. 16