



US00D924471S

(12) **United States Design Patent** (10) **Patent No.:** **US D924,471 S**  
**Kilger et al.** (45) **Date of Patent:** **\*\* Jul. 6, 2021**

(54) **INHALING DEVICE**

(71) Applicant: **Smokeless.world GmbH**, Grünwald (DE)

(72) Inventors: **Daniel Kilger**, Munich (DE); **Patrick Müller**, Heiningen (DE); **Michael Sedlmeier**, Munich (DE)

(73) Assignee: **SMOKELESS WORLD GMBH**, Grünwald (DE)

(\*\*) Term: **15 Years**

(21) Appl. No.: **29/703,936**

(22) Filed: **Aug. 30, 2019**

(30) **Foreign Application Priority Data**

Mar. 1, 2019 (EM) ..... 006272571-0001

(51) **LOC (13) Cl.** ..... **27-01**

(52) **U.S. Cl.**  
USPC ..... **D27/100**

(58) **Field of Classification Search**  
USPC ..... D27/100, 101, 162–165, 172, 185–194;  
D24/110, 110.5; D23/366  
CPC .... A24F 47/002; A24F 47/004; A24F 47/006;  
A24F 47/008; A61M 15/06; A61M 15/00;  
A61M 15/0001; A61M 15/0013; A61M  
15/0018

See application file for complete search history.

(56) **References Cited**

**U.S. PATENT DOCUMENTS**

D799,744 S \* 10/2017 Qiu ..... D27/101  
D802,206 S \* 11/2017 Huang ..... D27/101

D820,514 S \* 6/2018 Durand ..... D27/162  
D833,063 S \* 11/2018 Qiu ..... D27/101  
D851,827 S \* 6/2019 Clark ..... D27/162  
D853,632 S \* 7/2019 Qiu ..... D27/101  
D874,059 S \* 1/2020 Bailey ..... D27/162  
D880,765 S \* 4/2020 Tasselli ..... D27/163  
D882,065 S \* 4/2020 Wang ..... D24/110  
D890,417 S \* 7/2020 Austin ..... D27/162  
D897,757 S \* 10/2020 Abehasera ..... D7/372  
D899,677 S \* 10/2020 Liu ..... D27/162

\* cited by examiner

*Primary Examiner* — Marissa J Cash

*Assistant Examiner* — Rebecca Tsehaye

(74) *Attorney, Agent, or Firm* — Greer, Burns & Crain, Ltd.

(57) **CLAIM**

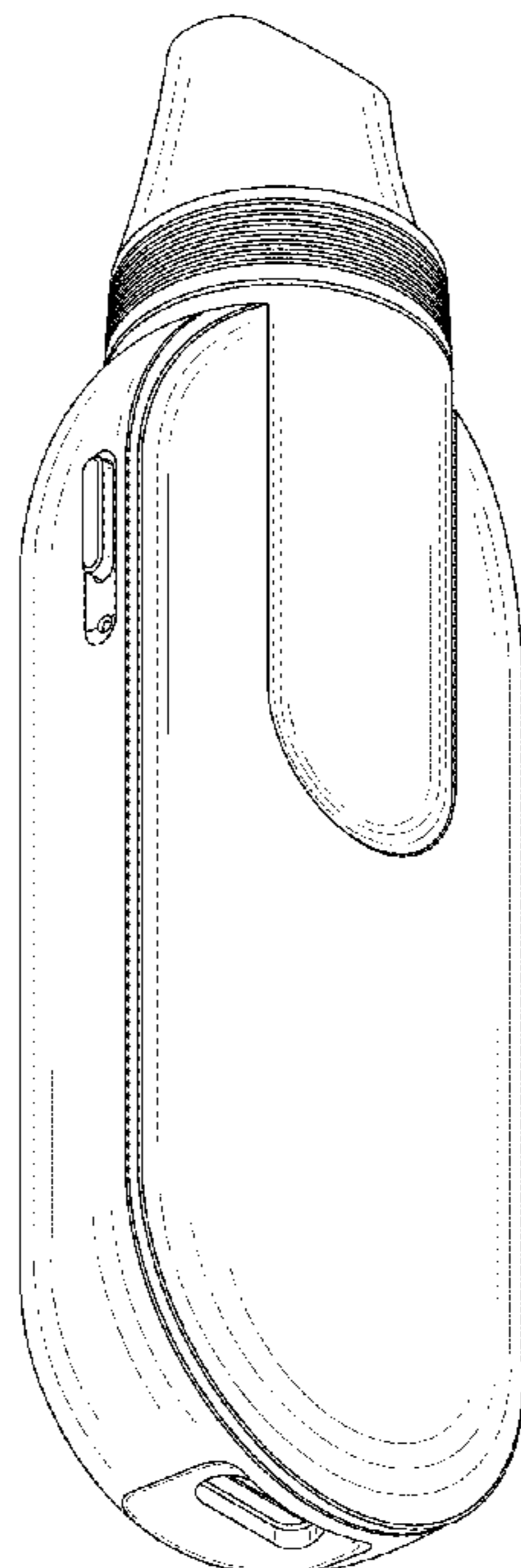
The ornamental design for an inhaling device, as shown and described.

**DESCRIPTION**

FIG. 1 is a rear perspective view of the present inhaling device;  
FIG. 2 is a front perspective view of same;  
FIG. 3 is a top view of the inhaling device of FIG. 1;  
FIG. 4 is a bottom view of same;  
FIG. 5 is a left side view of the inhaling device of FIG. 1;  
FIG. 6 is a right side view of same;  
FIG. 7 is a front view of the inhaling device of FIG. 1; and,  
FIG. 8 is a rear view of same.

The broken lines in the drawings depict portions of the inhaling device that form no part of the claimed design.

**1 Claim, 7 Drawing Sheets**



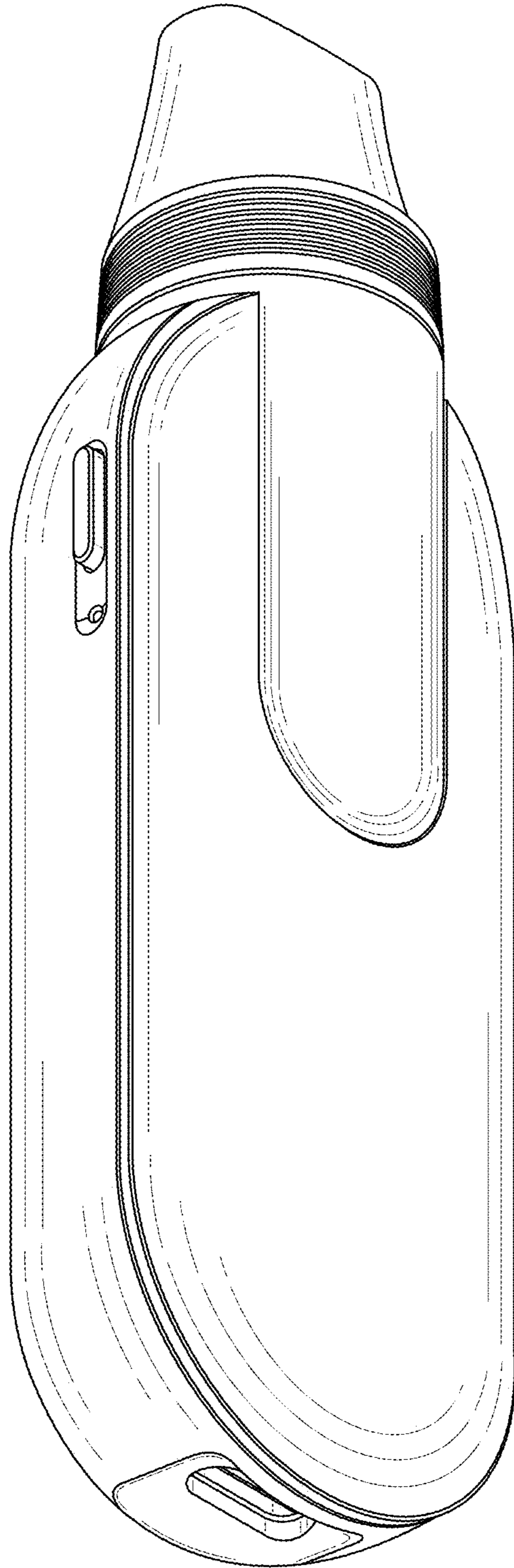


FIG. 1

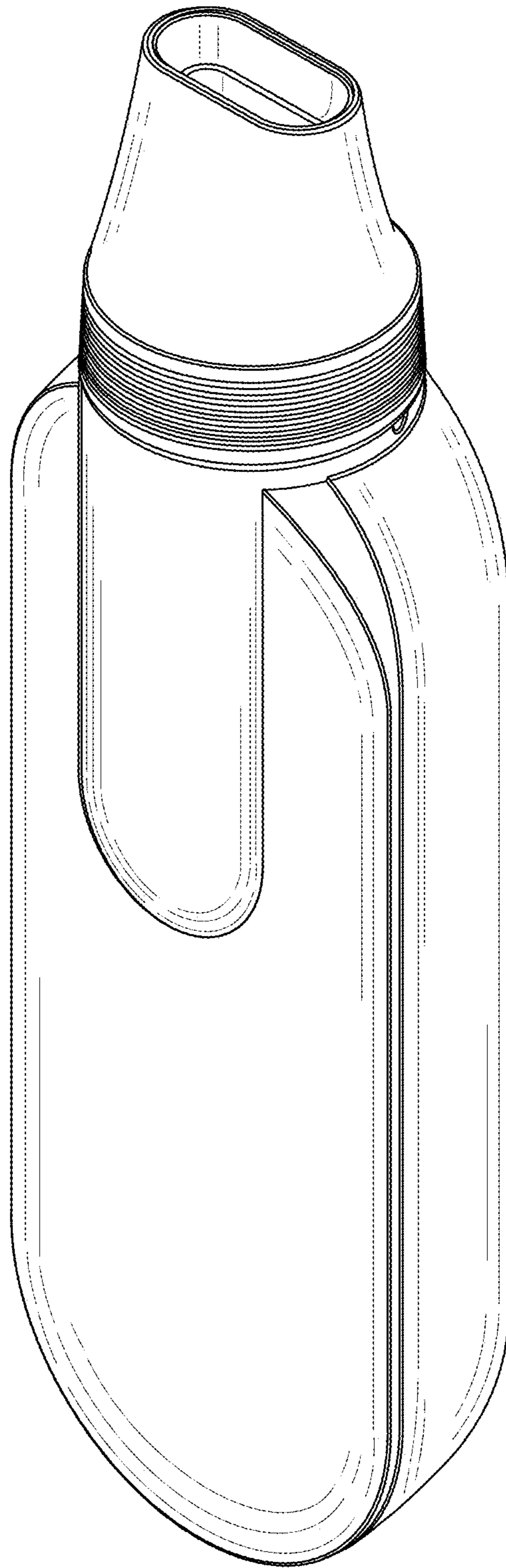


FIG. 2

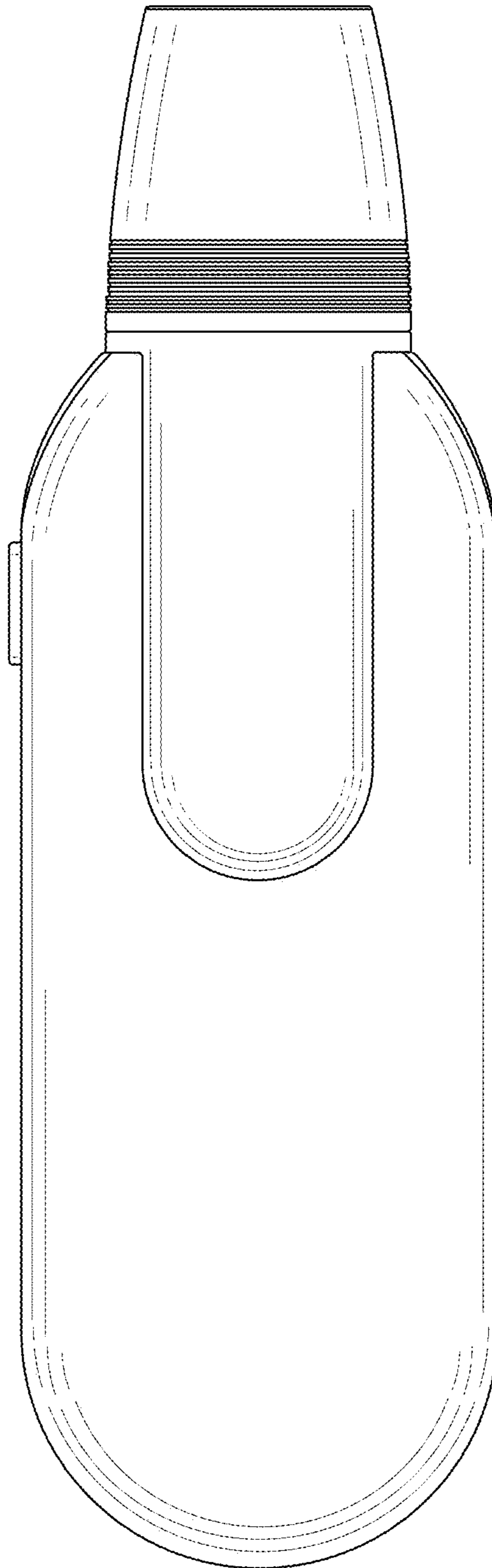


FIG. 3

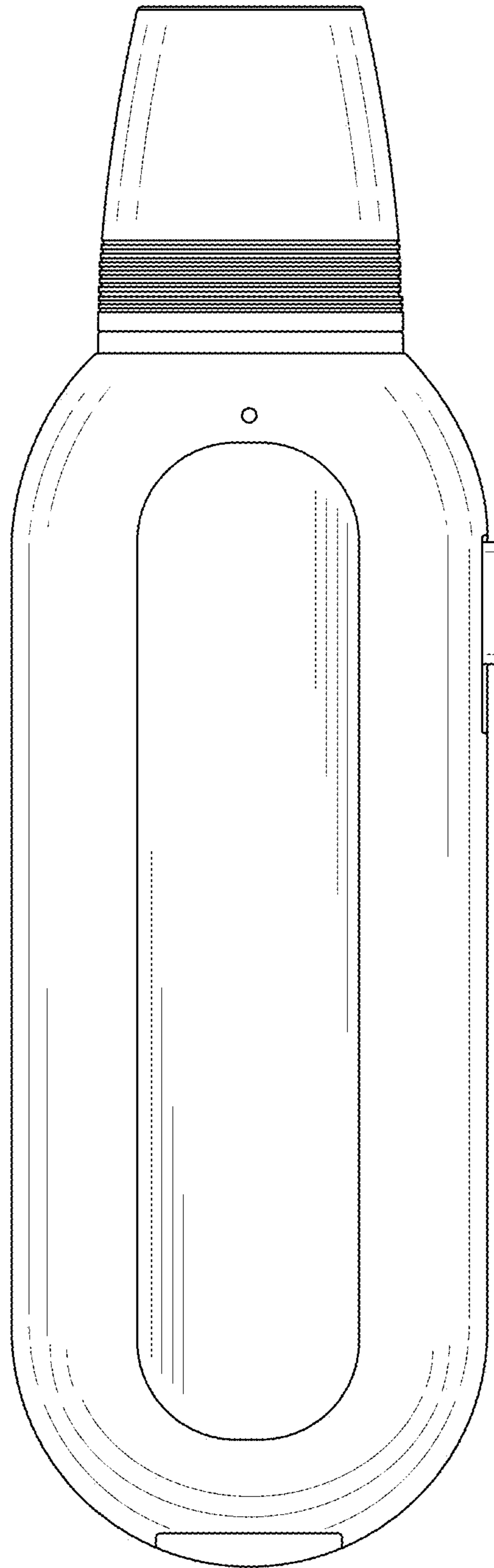


FIG. 4

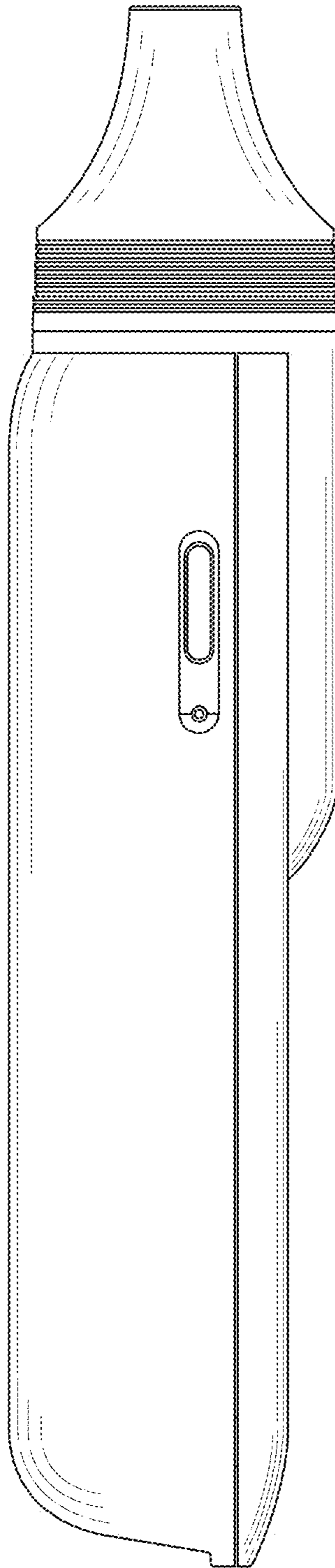


FIG. 5

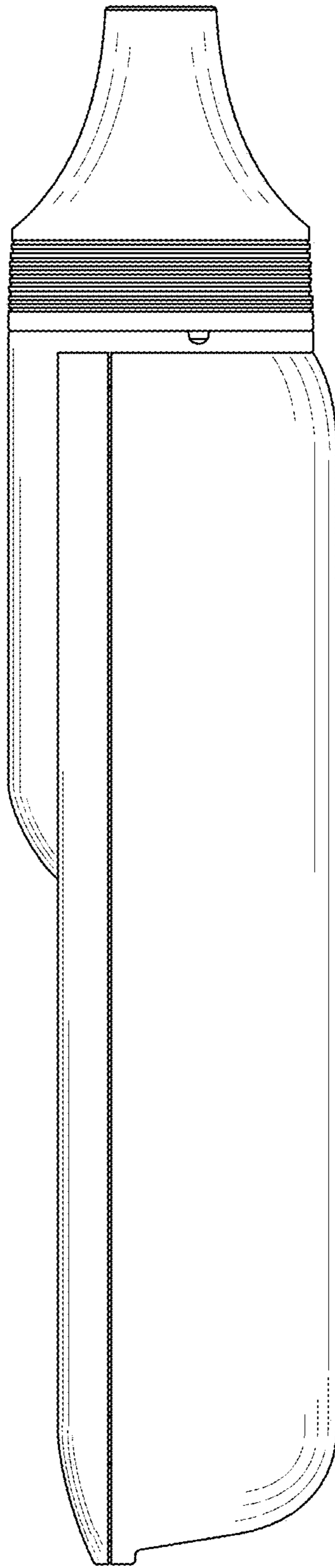


FIG. 6

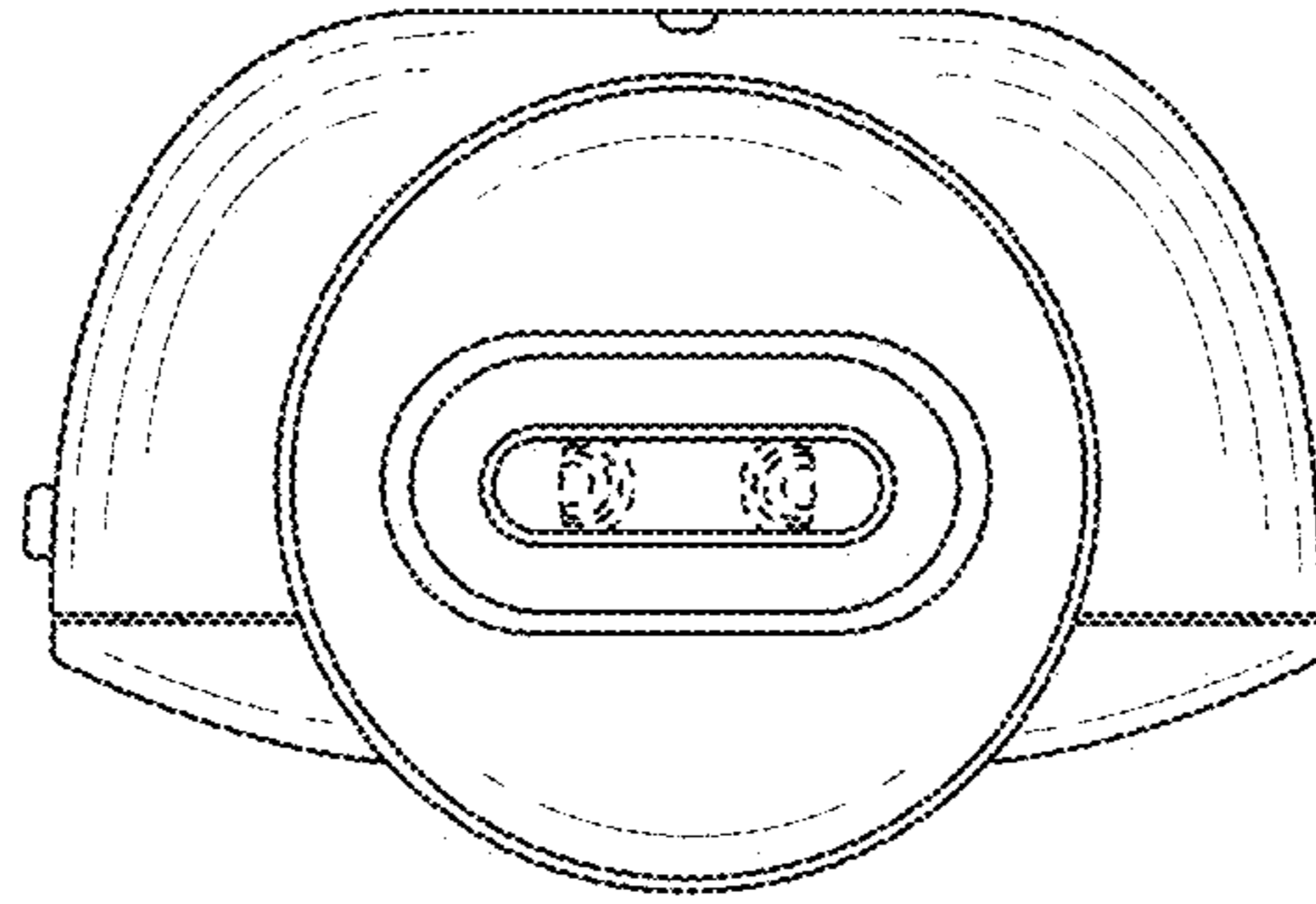


FIG. 7

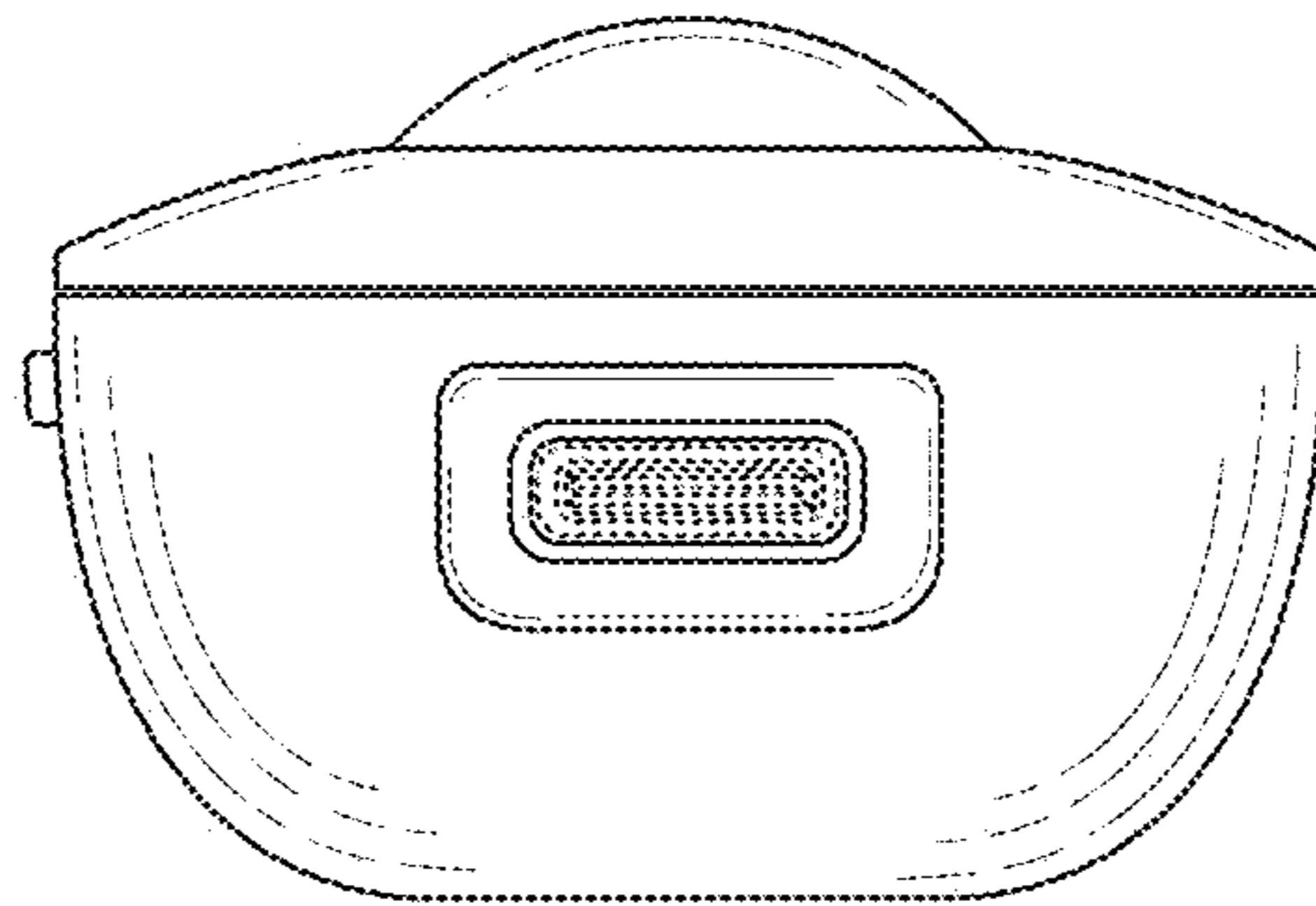


FIG. 8