



US00D924469S

(12) **United States Design Patent**
Li

(10) **Patent No.:** **US D924,469 S**

(45) **Date of Patent:** **** Jul. 6, 2021**

(54) **PLUGS WITH ADJUSTABLE METAL
BAFFLE FOR LED LIGHT STRIPS**

(71) Applicant: **Wenming Li**, Beijing (CN)

(72) Inventor: **Wenming Li**, Beijing (CN)

(**) Term: **15 Years**

(21) Appl. No.: **29/763,490**

(22) Filed: **Dec. 22, 2020**

(51) **LOC (13) Cl.** **26-05**

(52) **U.S. Cl.**
USPC **D26/140**

(58) **Field of Classification Search**
USPC D26/72, 74, 76, 78-83, 85, 86, 88, 90,
D26/93, 111, 113, 118, 119, 120, 121,
D26/122, 138, 139, 140, 141, 142, 152
CPC F21S 2/00; F21S 4/00; F21S 4/003; F21S
4/005; F21S 4/006; F21S 4/007; F21S
4/008; F21S 6/00; F21S 8/00; F21S
8/024; F21S 8/026; F21S 8/031; F21S
8/033; F21S 8/035-037; F21S 8/04; F21S
8/043; F21S 8/063
See application file for complete search history.

(56) **References Cited**

U.S. PATENT DOCUMENTS

D366,126 S *	1/1996	Lin	D26/24
D541,450 S *	4/2007	Cheng	D26/31
D546,985 S *	7/2007	Hoshikawa	D26/25
D550,379 S *	9/2007	Hoshikawa	D26/25
D550,869 S *	9/2007	Hoshikawa	D26/25
D573,273 S *	7/2008	Branstetter	D26/28
D783,533 S	4/2017	Tress		
D786,458 S *	5/2017	Wang	D26/1
D802,832 S *	11/2017	Soofer	D26/138
D822,269 S *	7/2018	Oquendo, Jr.	D26/155

D849,277 S *	5/2019	John	D26/1
D849,278 S *	5/2019	John	D26/1
D860,510 S *	9/2019	Greenberg	D26/91
D866,059 S *	11/2019	Oquendo, Jr.	D26/138
D870,359 S *	12/2019	Sonneman	D26/138
D876,712 S *	2/2020	Bembridge	D26/138
D884,931 S *	5/2020	Yang	D26/24
D886,364 S *	6/2020	Greenberg	F21V 21/06 D26/138
D887,604 S *	6/2020	Toledo	D26/51
D896,418 S *	9/2020	Lin	D26/39

* cited by examiner

Primary Examiner — *Natasha Vujcic*

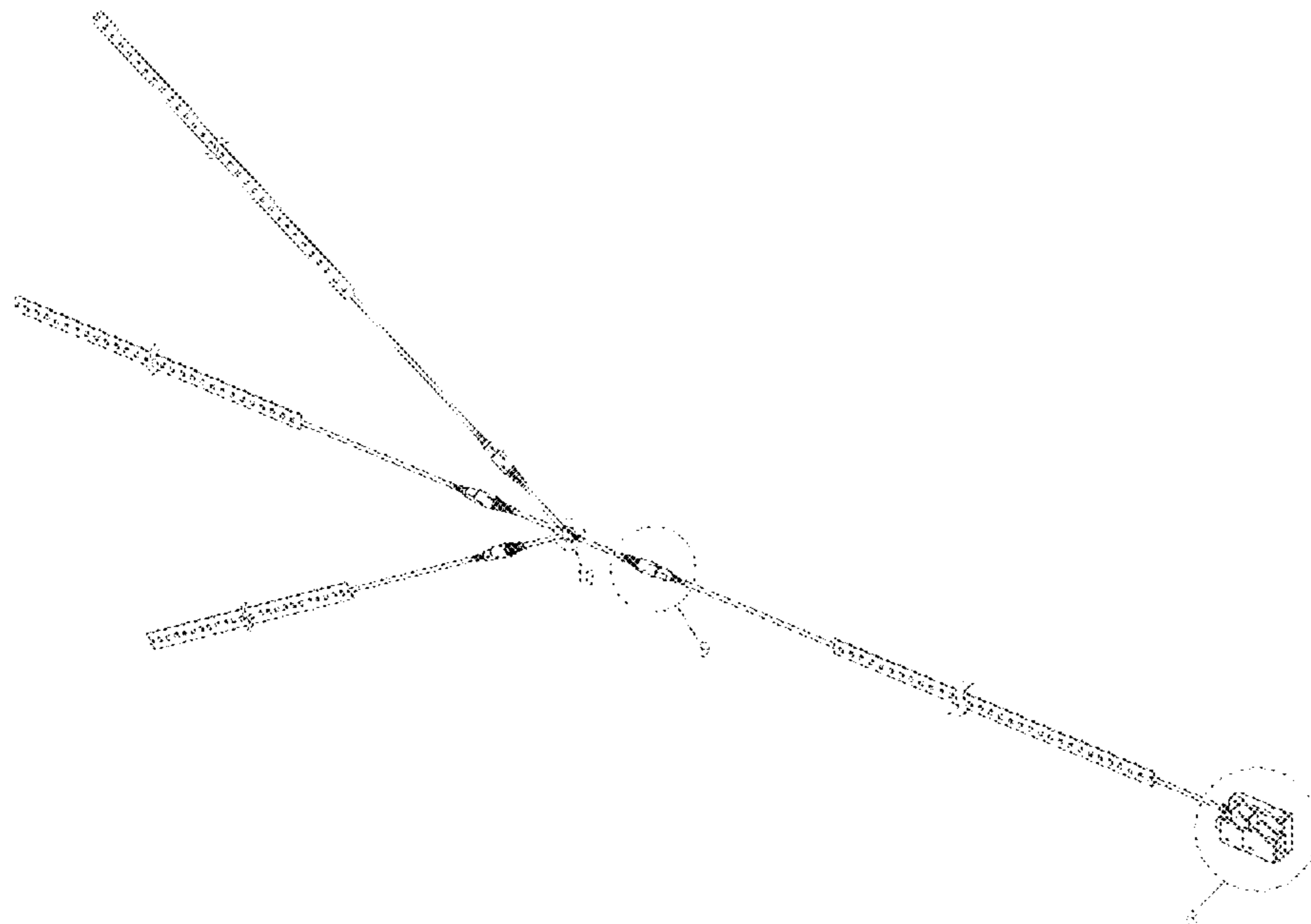
(57) **CLAIM**

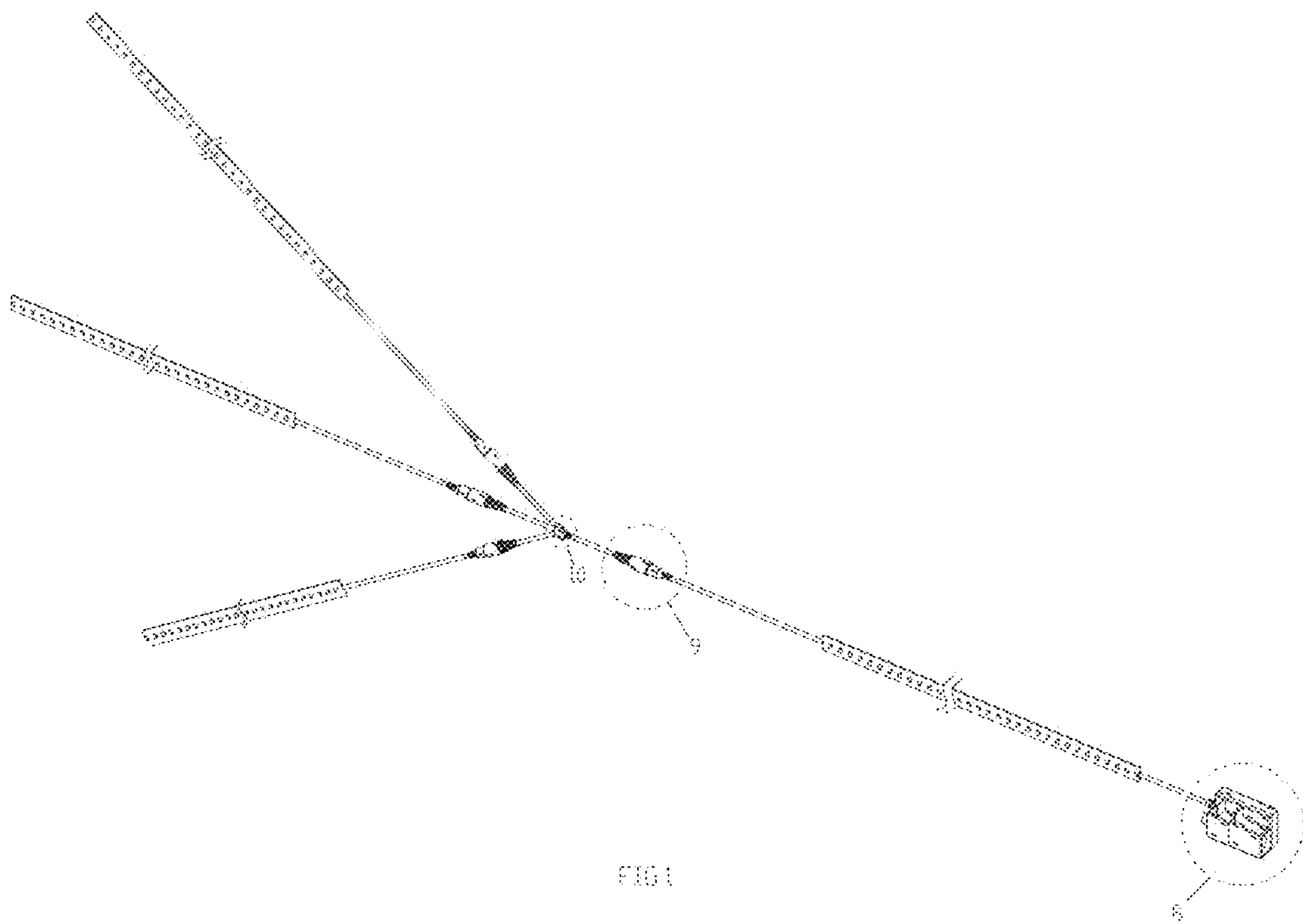
The ornamental design for a plugs with adjustable metal baffle for LED light strips, as shown and described.

DESCRIPTION

FIG. 1 is a perspective view of a plugs with adjustable metal baffle For LED light strips showing my/our new design; FIG. 2 is a front view thereof; FIG. 3 is a top view thereof; FIG. 4 is a back view thereof; FIG. 5 is a bottom view thereof; FIG. 6 is a right side view thereof; FIG. 7 is a left side view thereof; FIG. 8 is an enlarged view of portion 8 shown in FIG. 1; FIG. 9 is an enlarged view of portion 9 shown in FIG. 1; and, FIG. 10 is an enlarged view of portion 10 shown in FIG. 1. The broken lines in the drawings illustrate boundaries of the design and form no part of the claimed design. The break lines in the drawings indicate that the appearance of any portion of the plugs with adjustable metal baffle for LED light strips, between the break lines forms no part of the claimed design.

1 Claim, 10 Drawing Sheets





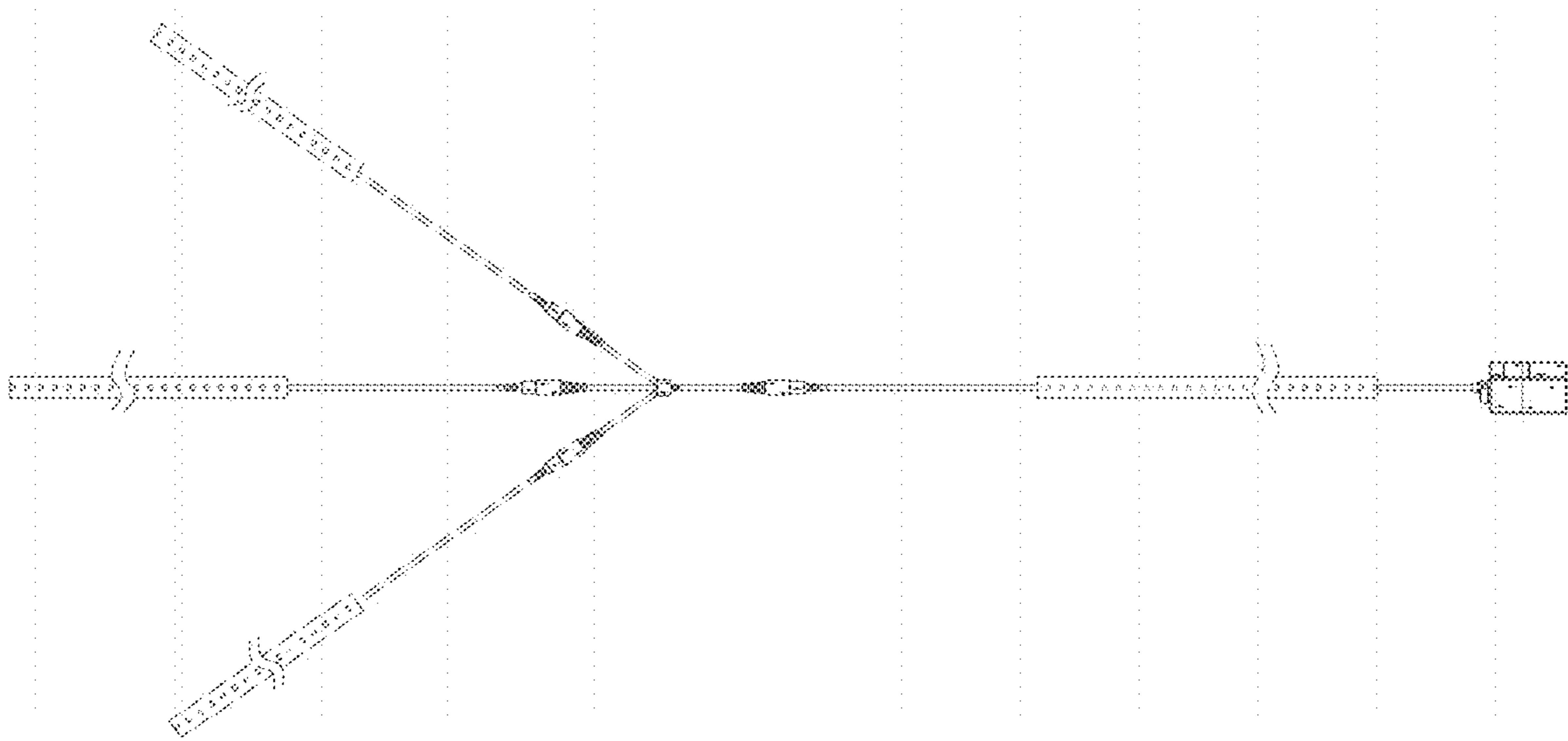


FIG. 2

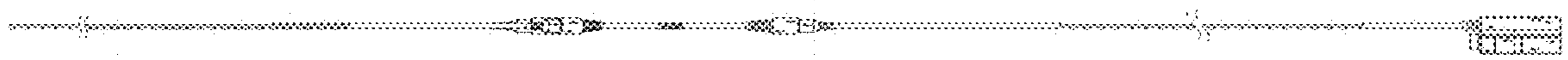


FIG. 3

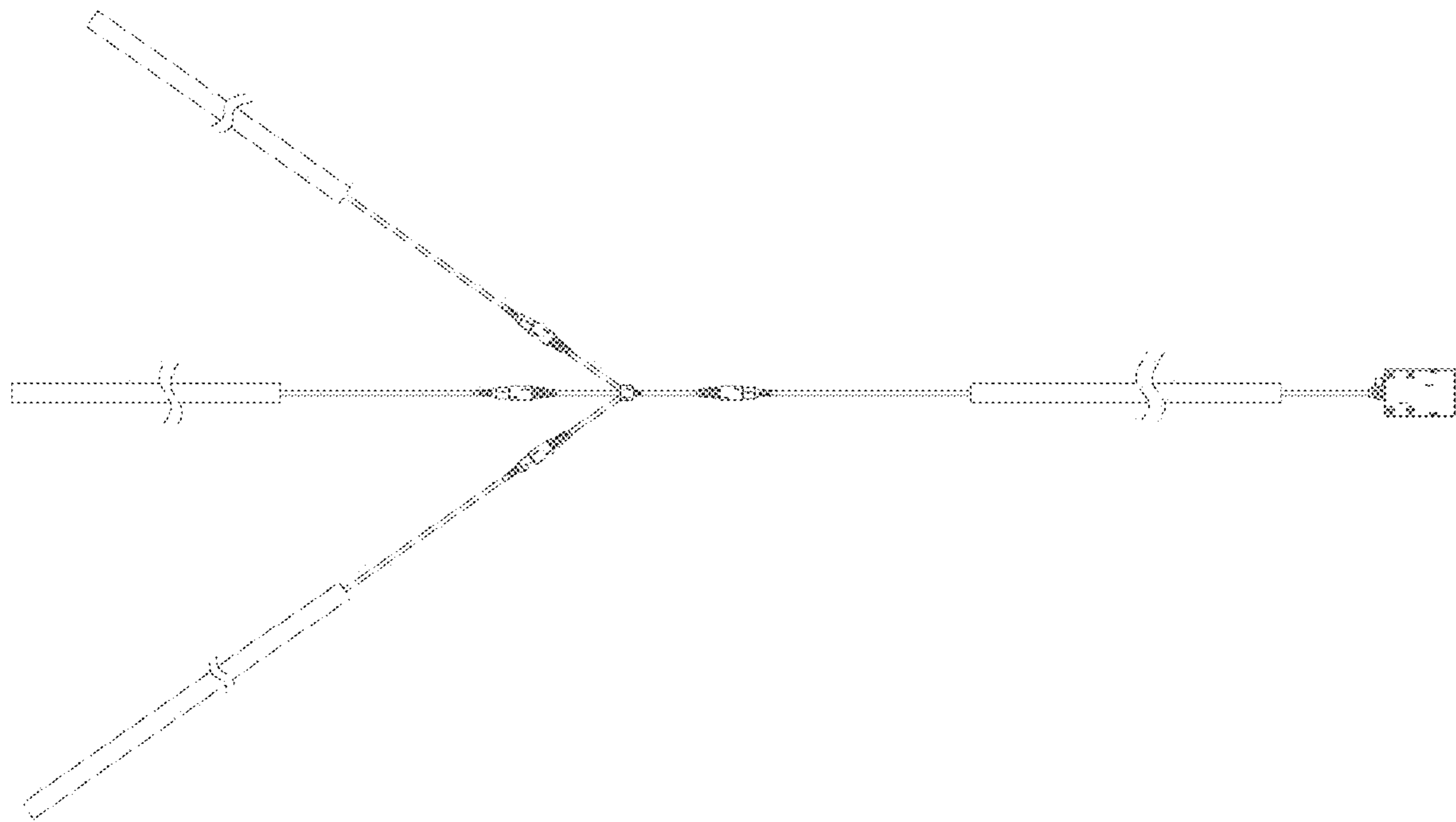


FIG. 4

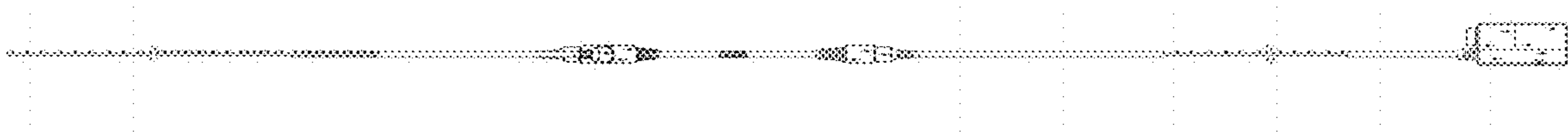


FIG. 5

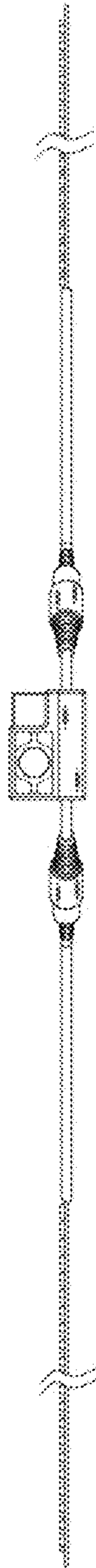


FIG.6



FIG. 7

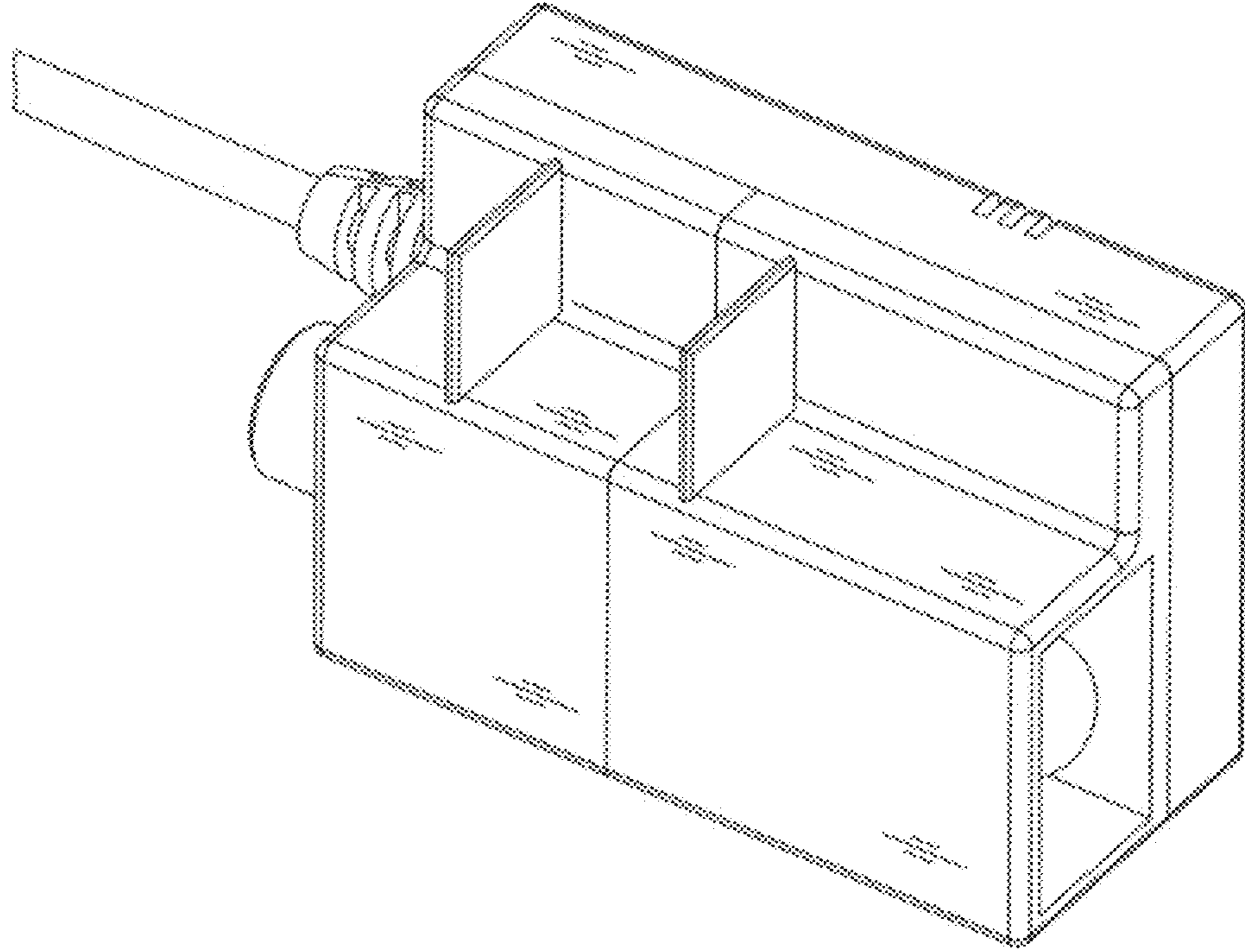


FIG.8

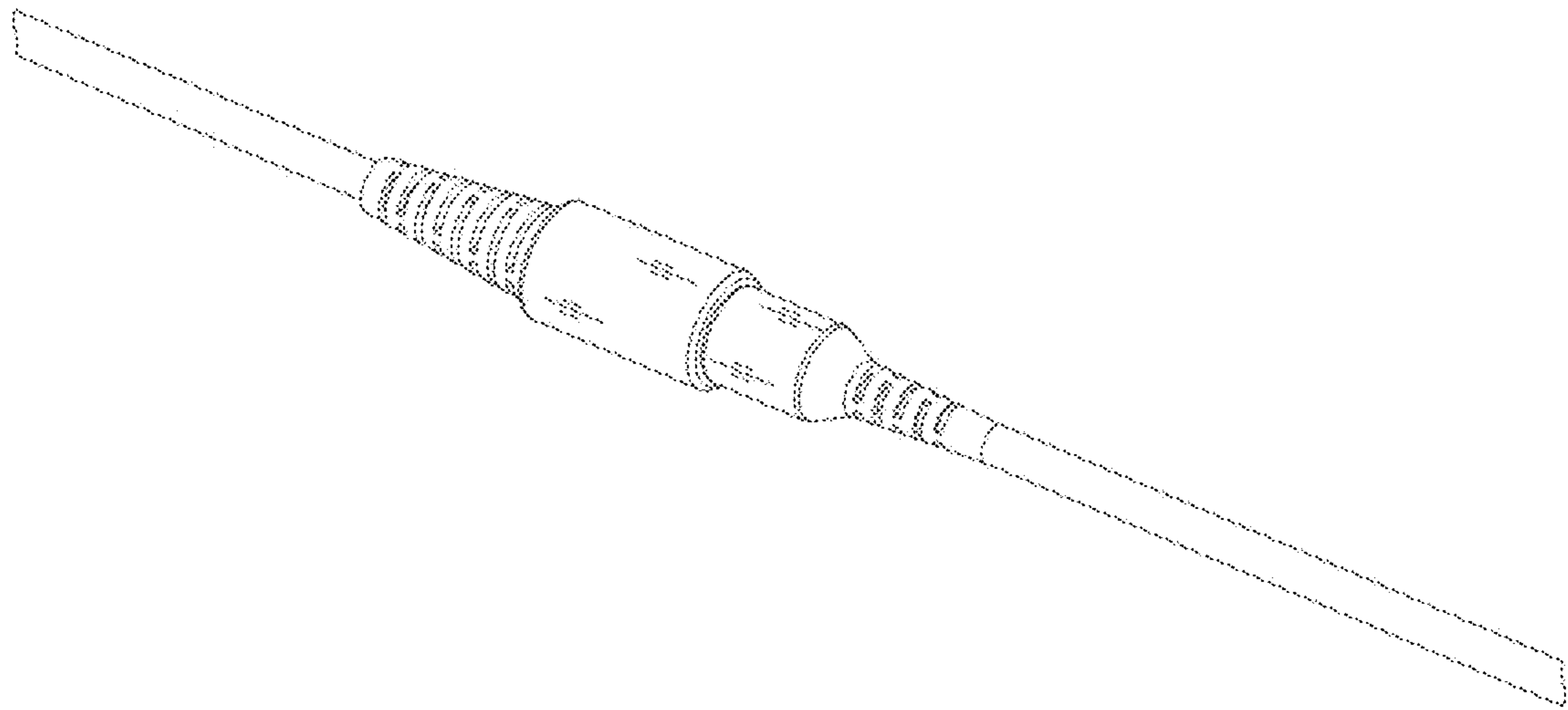


FIG. 9

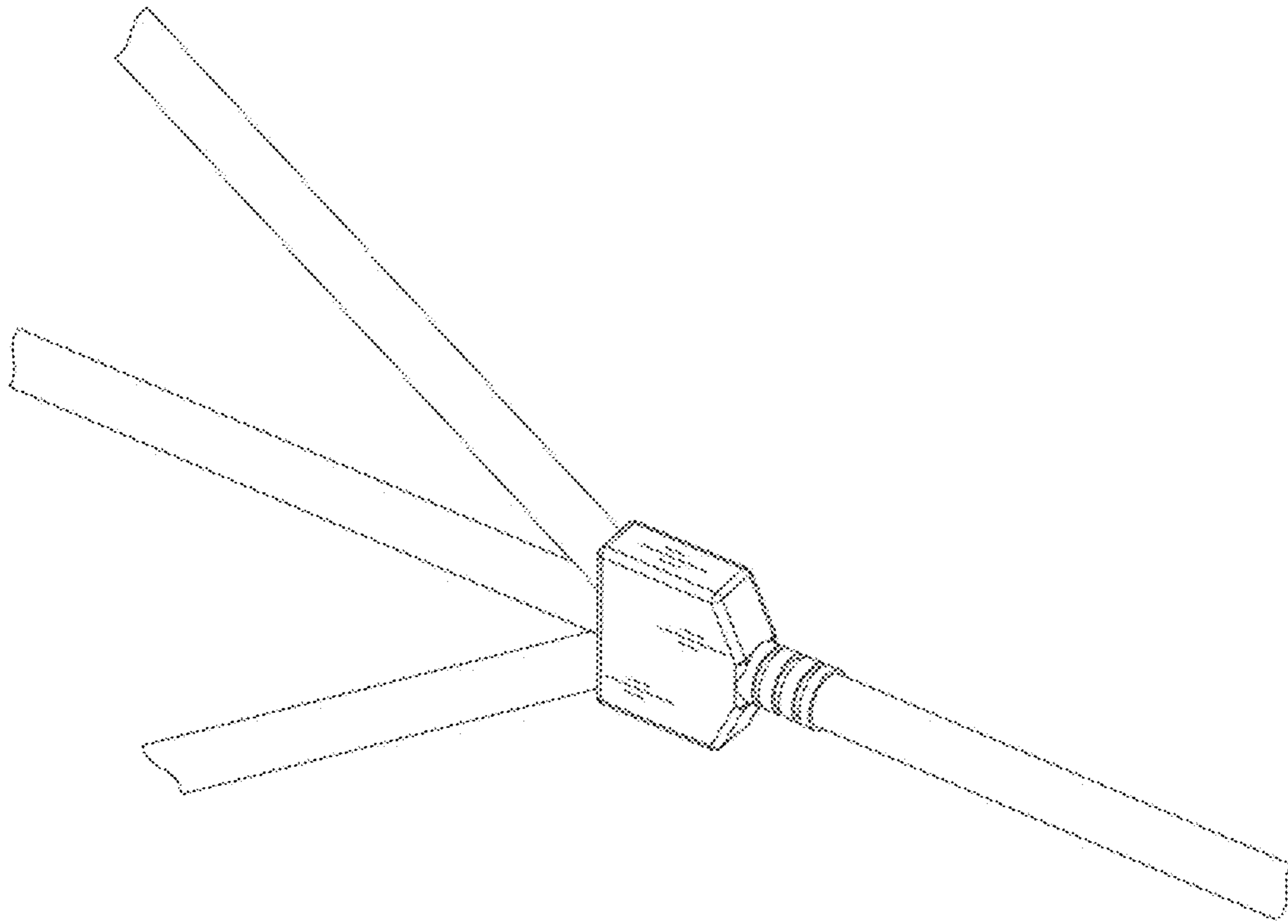


FIG.10