



US00D924463S

(12) **United States Design Patent** (10) **Patent No.:** **US D924,463 S**
Giopato et al. (45) **Date of Patent:** **** Jul. 6, 2021**

(54) **CHANDELIER**

FOREIGN PATENT DOCUMENTS

(71) Applicant: **GIOPATO & COOMBES S.R.L.**,
Treviso (IT)

DE 200218106507 * 1/2019
WO D207071-001 * 2/2020

(72) Inventors: **Cristiana Giopato**, Treviso (IT);
Christopher Coombes, Treviso (IT)

OTHER PUBLICATIONS

(73) Assignee: **GIOPATO & COOMBES S.r.L.**,
Treviso (IT)

Modern-LED-Ceiling-Chandelier (available online) Retrieved from
the internet Mar. 4, 2021 from URL: https://ae01.alicdn.com/kf/H389dcba072d541a591307c5397d0eda89/Modern-LED-Ceiling-Chandelier-For-Dining-Room-Living-room-Bar-Ring-chandelier-Glass-Bubble-G4-Sockets.jpg_350x350.jpg.*

(**) Term: **15 Years**

Milky_Way_Suspension_Lamp (available online) Retrieved from
the internet Mar. 4, 2021 from URL: <https://www.tomassiniarredamenti.it/en/giopatocoombes-milky-way-suspension-lamp-p-6201.html>.*

(21) Appl. No.: **35/509,087**

(22) Filed: **Mar. 30, 2020**

* cited by examiner

(80) **Hague Agreement Data**

Int. Filing Date: **Mar. 30, 2020**
Int. Reg. No.: **DM/207071**
Int. Reg. Date: **Mar. 30, 2020**
Int. Reg. Pub. Date: **Apr. 17, 2020**

Primary Examiner — Kevin K Rudzinski

Assistant Examiner — Richard Kearney

(74) *Attorney, Agent, or Firm* — Thomas | Horstemeyer,
LLP

(51) **LOC (13) Cl.** **26-05**

(57) **CLAIM**

(52) **U.S. Cl.**
USPC **D26/90**

The ornamental design for a chandelier, as shown and
described.

(58) **Field of Classification Search**
USPC D26/80, 81, 82, 84, 86, 88, 90, 91
CPC F21S 8/04; F21S 8/043; F21S 8/046; F21S
8/06; F21S 8/061; F21S 8/063; F21S
8/065; F21S 8/066; F21S 8/068
See application file for complete search history.

DESCRIPTION

(56) **References Cited**

U.S. PATENT DOCUMENTS

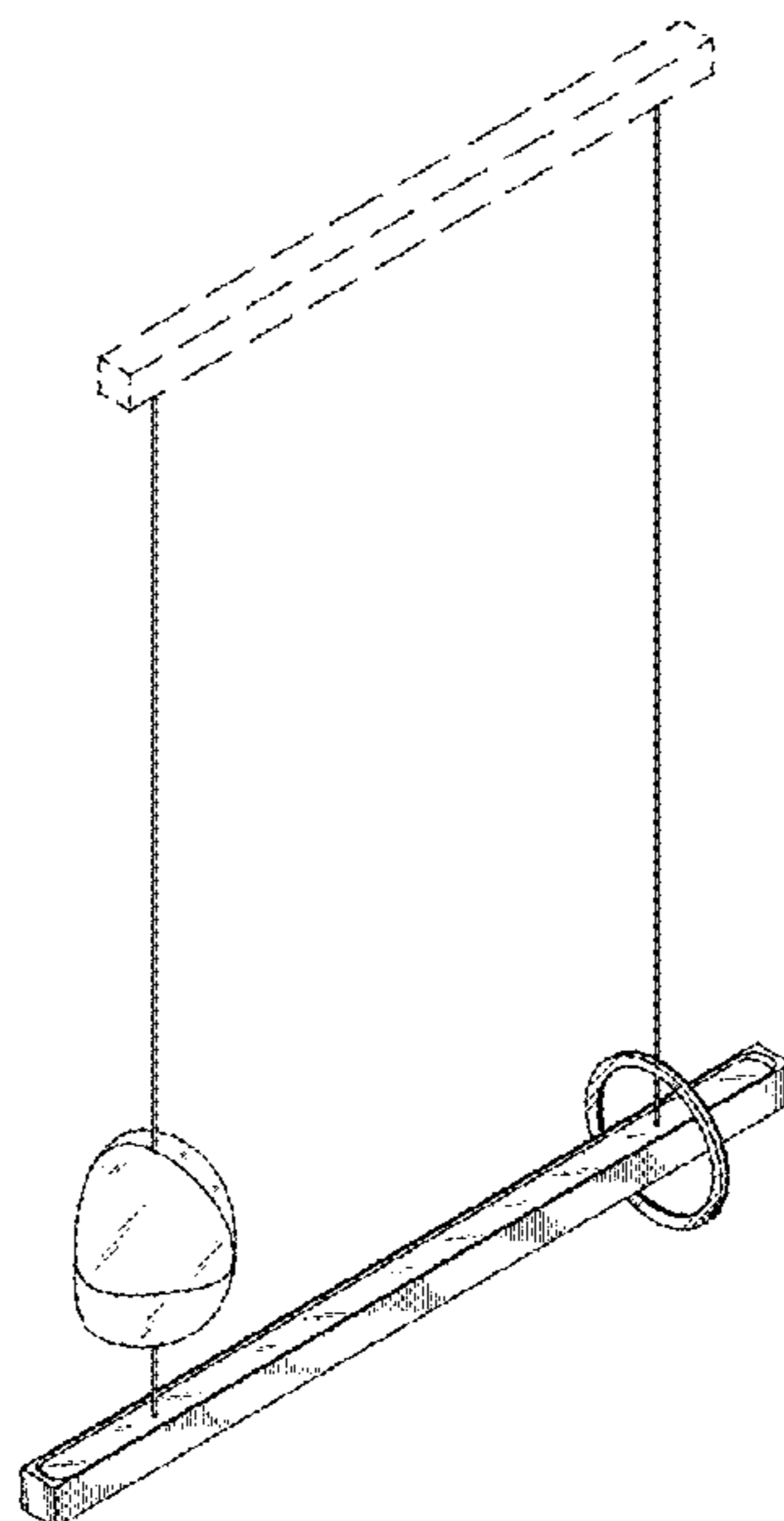
D613,897 S * 4/2010 Thun D26/88
D868,342 S * 11/2019 Coombes D26/90
2017/0268752 A1 * 9/2017 Horvath F21V 23/005
2020/0318803 A1 * 10/2020 Li F21S 2/005

1. Chandelier

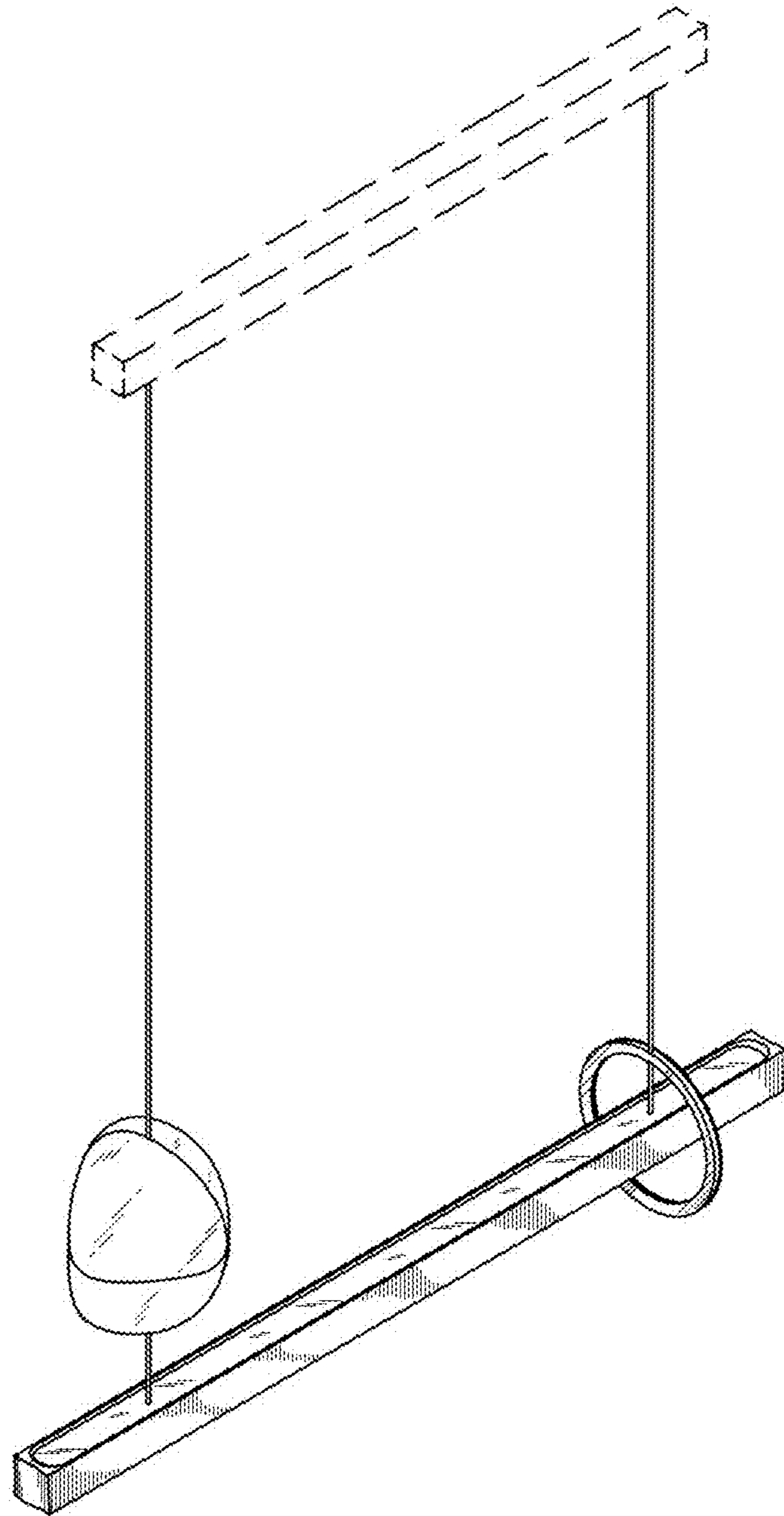
Fig. 1.1 is a perspective view of the chandelier; Fig. 1.2 is
a front view thereof; Fig. 1.3 is a rear view thereof; Fig. 1.4
is a right view thereof; Fig. 1.5 is a left view thereof; Fig. 1.6
is a top view thereof; Fig. 1.7 is a bottom view thereof.

The broken lines shown in the drawings illustrate environ-
mental subject matter and form no part of the claimed
design.

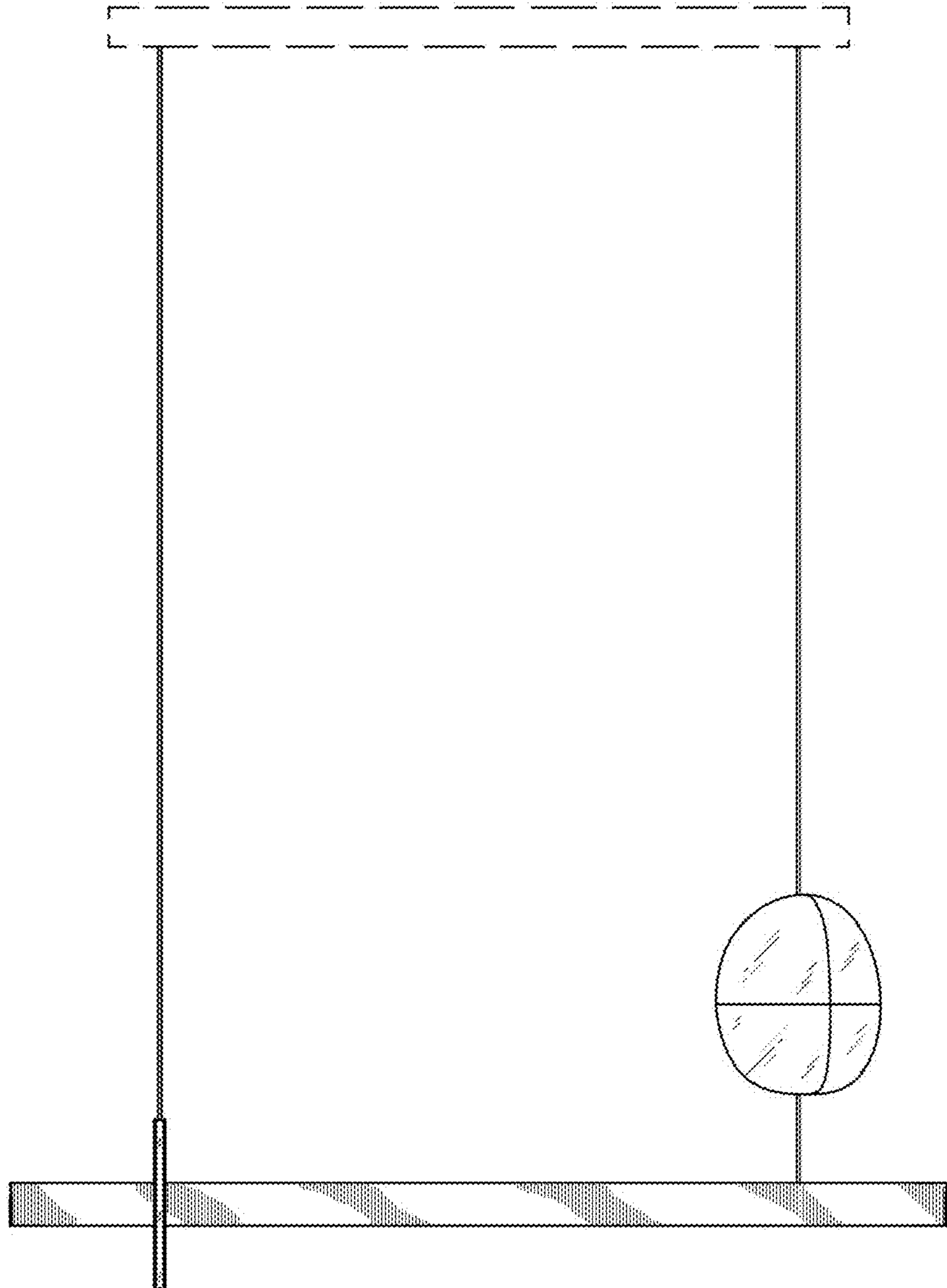
1 Claim, 7 Drawing Sheets



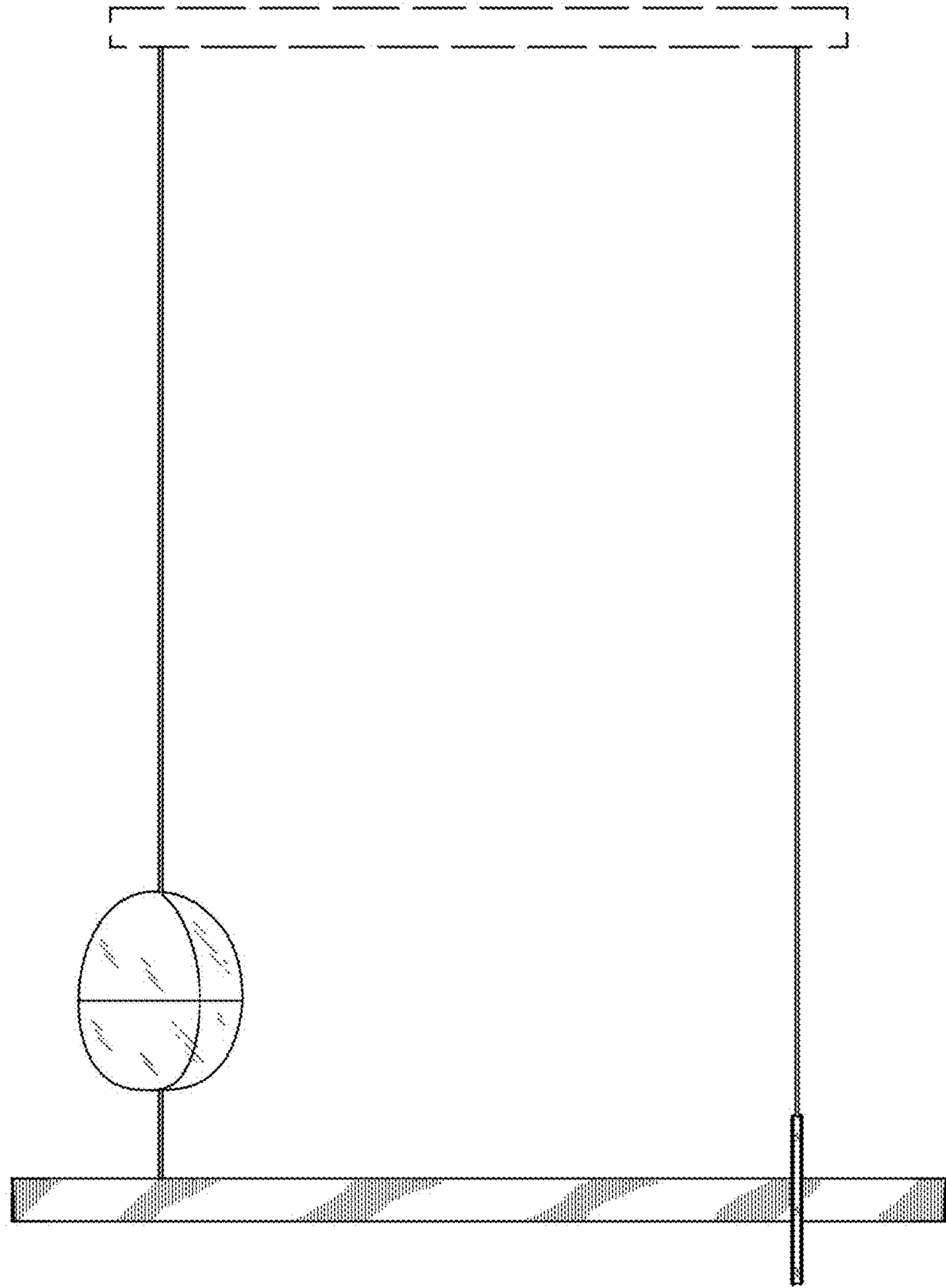
1.1



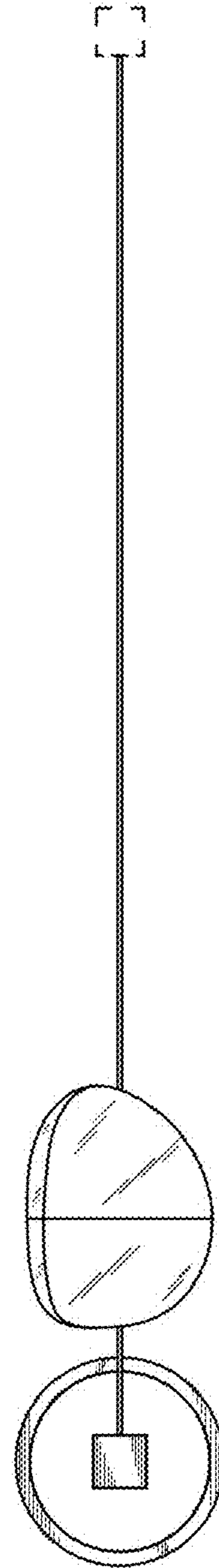
1.2



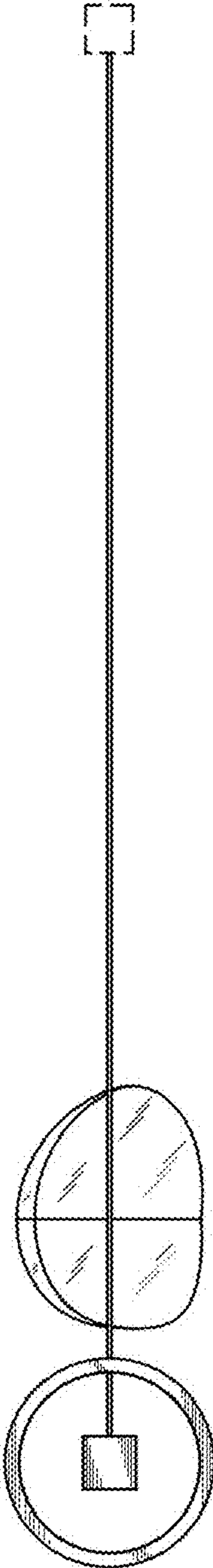
1.3



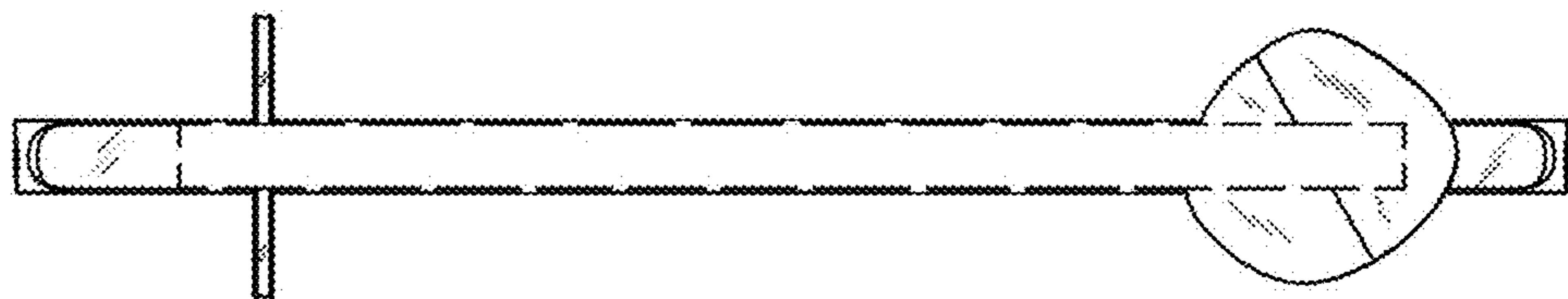
1.4



1.5



1.6



1.7

