



US00D924462S

(12) **United States Design Patent** (10) **Patent No.:** **US D924,462 S**  
**Bai** (45) **Date of Patent:** **\*\* Jul. 6, 2021**

(54) **BATHROOM LIGHT FIXTURE**

(71) Applicant: **Lu Bai**, Guangdong (CN)

(72) Inventor: **Lu Bai**, Guangdong (CN)

(\*\*) Term: **15 Years**

(21) Appl. No.: **29/751,887**

(22) Filed: **Sep. 24, 2020**

(51) **LOC (13) Cl.** ..... **26-03**

(52) **U.S. Cl.**  
USPC ..... **D26/86; D26/87**

(58) **Field of Classification Search**  
USPC ..... D26/72, 85-87, 92  
CPC .... F21S 8/03; F21S 8/035; F21S 8/036; F21S 8/046

See application file for complete search history.

(56) **References Cited**

**U.S. PATENT DOCUMENTS**

D528,244 S *	9/2006	Bayer	.....	D26/88
D536,471 S *	2/2007	Matons	.....	D26/87
D576,339 S *	9/2008	Porter	.....	D26/80
D588,295 S *	3/2009	Schonbek	.....	D26/128
D622,435 S *	8/2010	Recore	.....	D26/85
D792,010 S	7/2017	Bobel		
D816,881 S *	5/2018	Qiao	.....	D26/86
D838,027 S	1/2019	Bobel		
D887,617 S *	6/2020	Wang	.....	D26/87
D888,316 S *	6/2020	Huang	.....	D26/86

(Continued)

**OTHER PUBLICATIONS**

BDL Bathroom Vanity Light Fixture available at amzon.com Jun. 5, 2020. (Year: 2020).\*

*Primary Examiner* — Clare E Heflin  
(74) *Attorney, Agent, or Firm* — ScienBiziP, P.C.

(57) **CLAIM**

The ornamental design for a bathroom light fixture, as shown and described.

**DESCRIPTION**

FIG. 1 is a front and top perspective view of a bathroom light fixture, showing my design.

FIG. 2 is a rear and top perspective of the bathroom light fixture of FIG. 1.

FIG. 3 is a front elevation view of the bathroom light fixture of FIG. 1.

FIG. 4 is a rear elevation view of the bathroom light fixture of FIG. 1.

FIG. 5 is a left side elevation of the bathroom light fixture of FIG. 1.

FIG. 6 is a right side elevation of the bathroom light fixture of FIG. 1.

FIG. 7 is a top plan view of the bathroom light fixture of FIG. 1.

FIG. 8 is a bottom plan view of the bathroom light fixture of FIG. 1.

FIG. 9 is a front and top perspective view of another embodiment of a bathroom light fixture.

FIG. 10 is a rear and top perspective of the bathroom light fixture of FIG. 9.

FIG. 11 is a front elevation view of the bathroom light fixture of FIG. 9.

FIG. 12 is a rear elevation view of the bathroom light fixture of FIG. 9.

FIG. 13 is a left side elevation of the bathroom light fixture of FIG. 9.

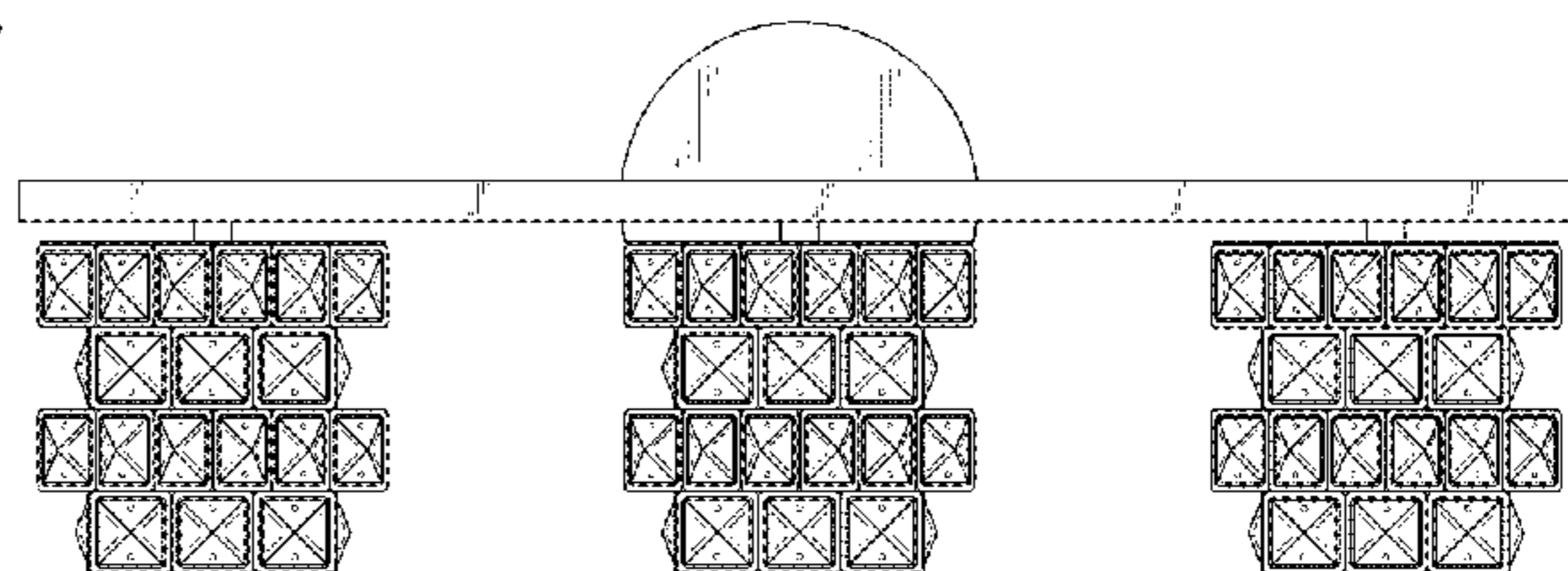
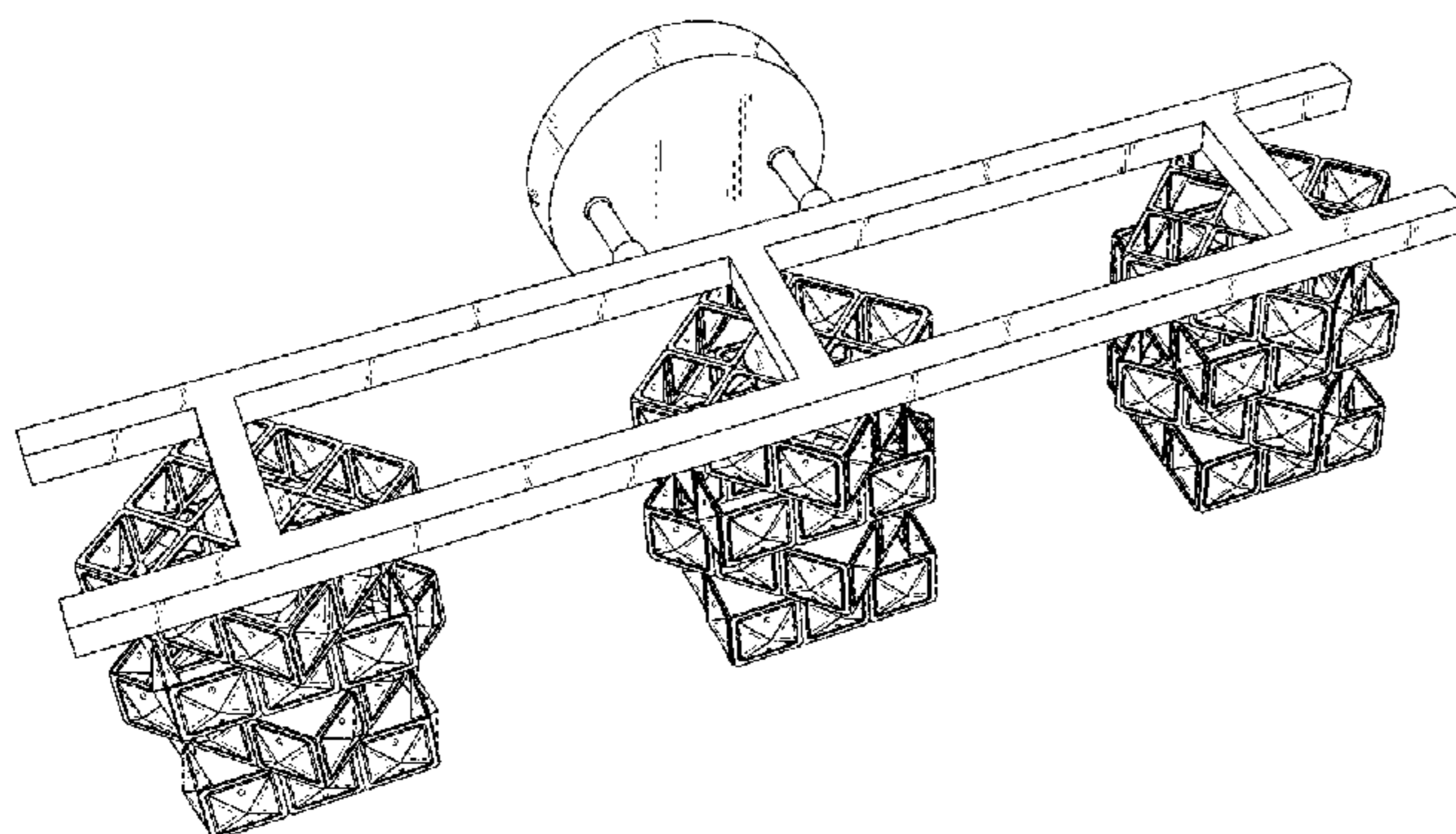
FIG. 14 is a right side elevation of the bathroom light fixture of FIG. 9.

FIG. 15 is a top plan view of the bathroom light fixture of FIG. 9; and,

FIG. 16 is a bottom plan view of the bathroom light fixture of FIG. 9.

The broken lines on the drawings represent portions of the bathroom light fixture that form no part of the claimed design.

**1 Claim, 16 Drawing Sheets**



(56)

**References Cited**

U.S. PATENT DOCUMENTS

D910,899 S \* 2/2021 Zheng ..... D26/86  
2006/0157207 A1 \* 7/2006 Schonbek ..... F21S 8/065  
160/332

\* cited by examiner

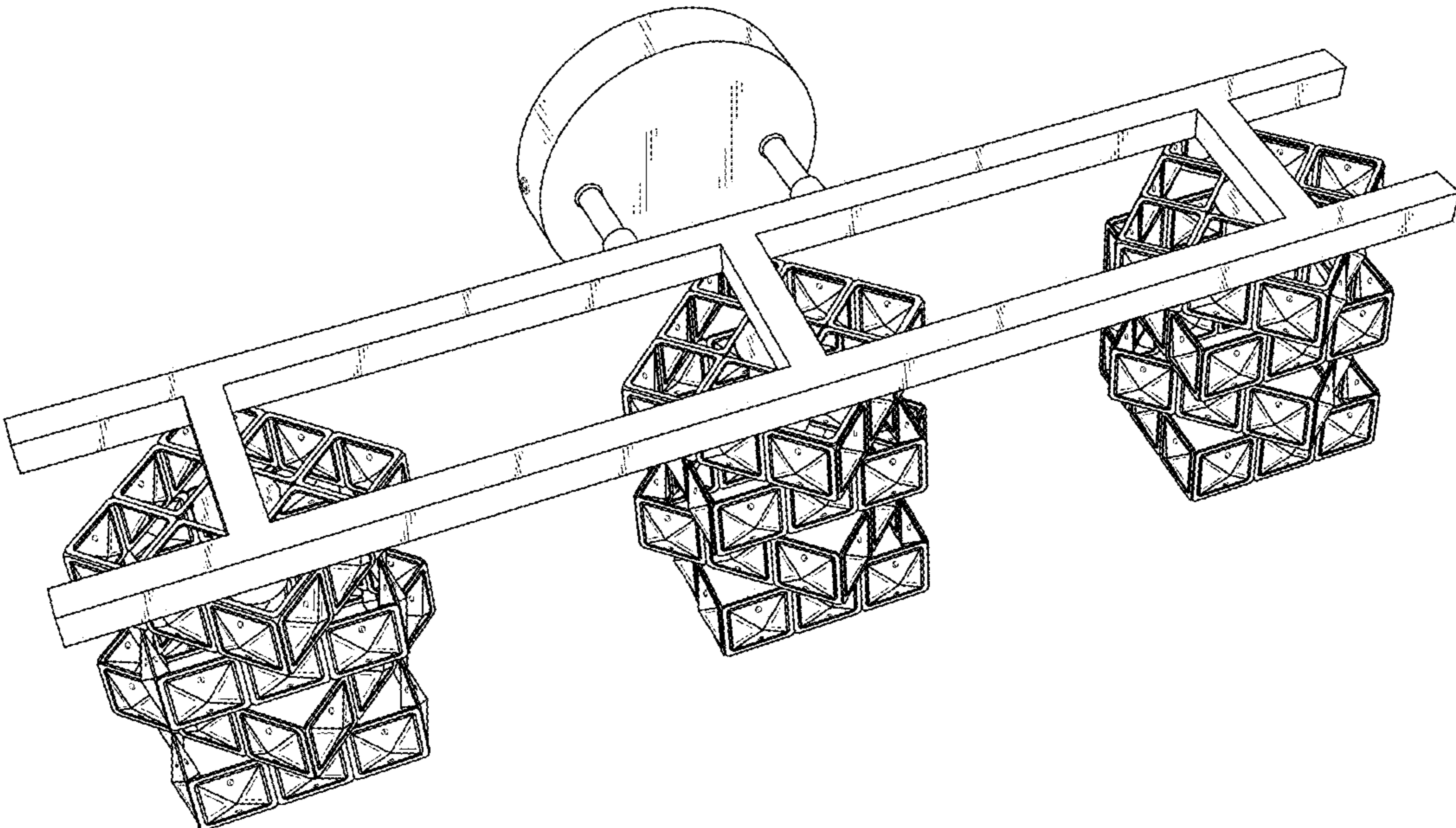


FIG.1

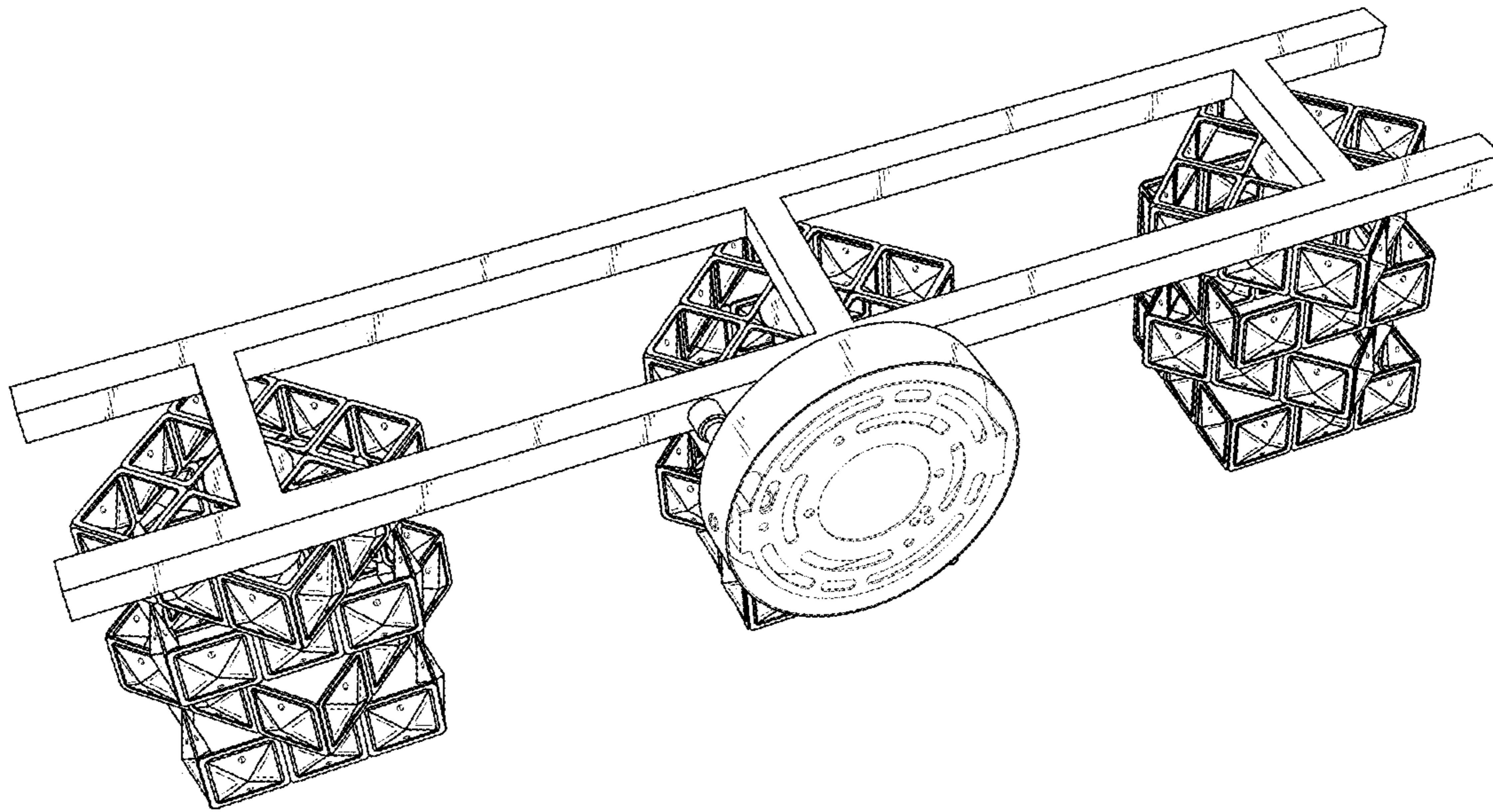


FIG.2

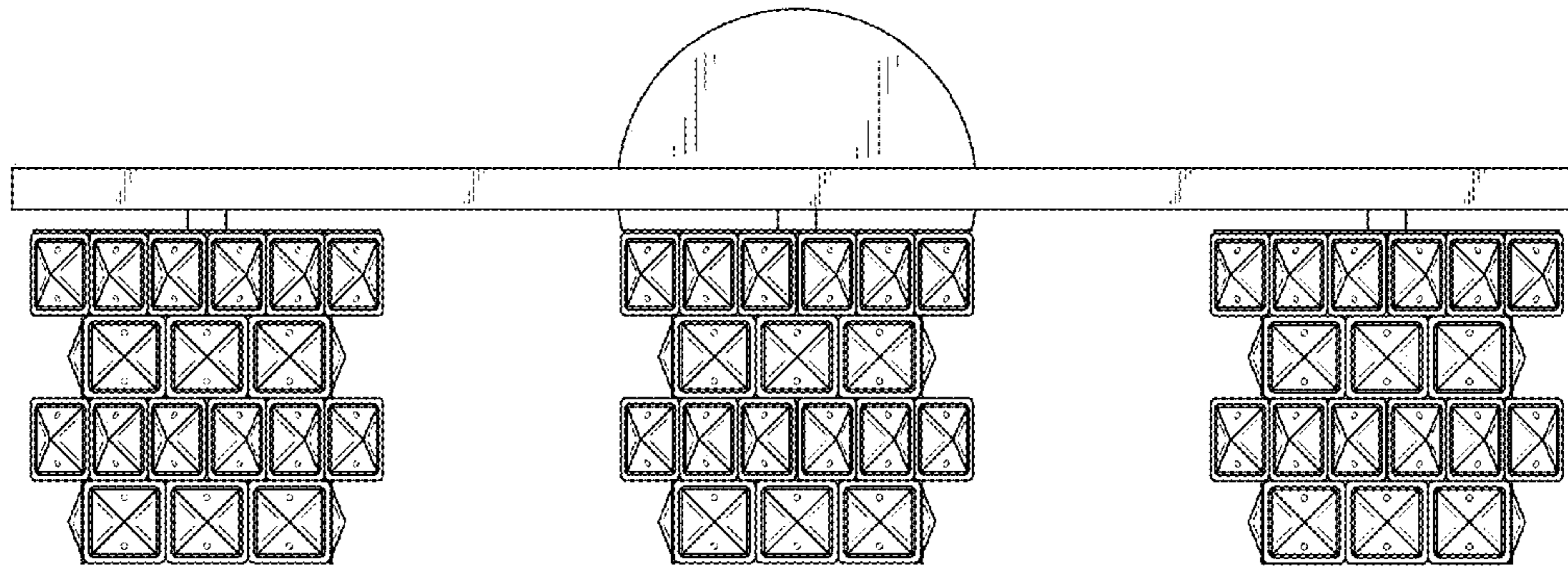


FIG.3

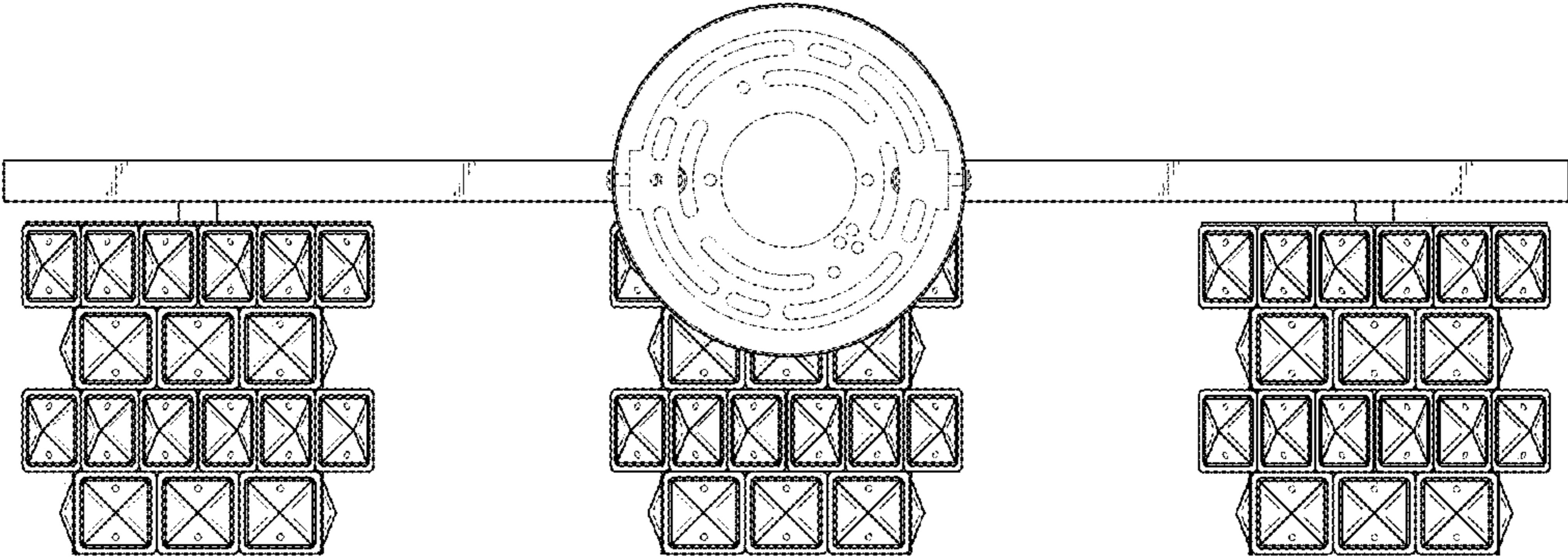


FIG.4

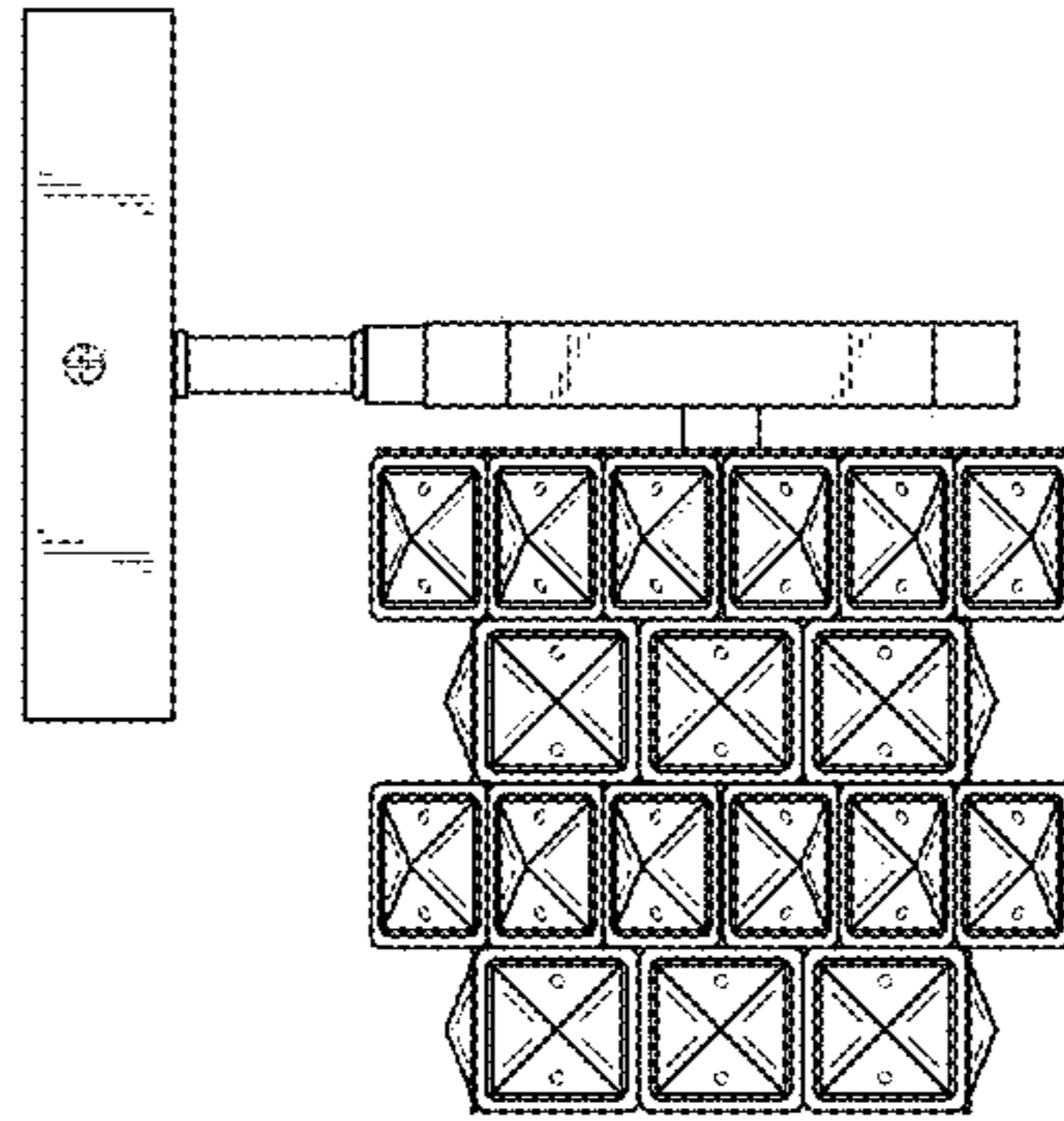


FIG.5

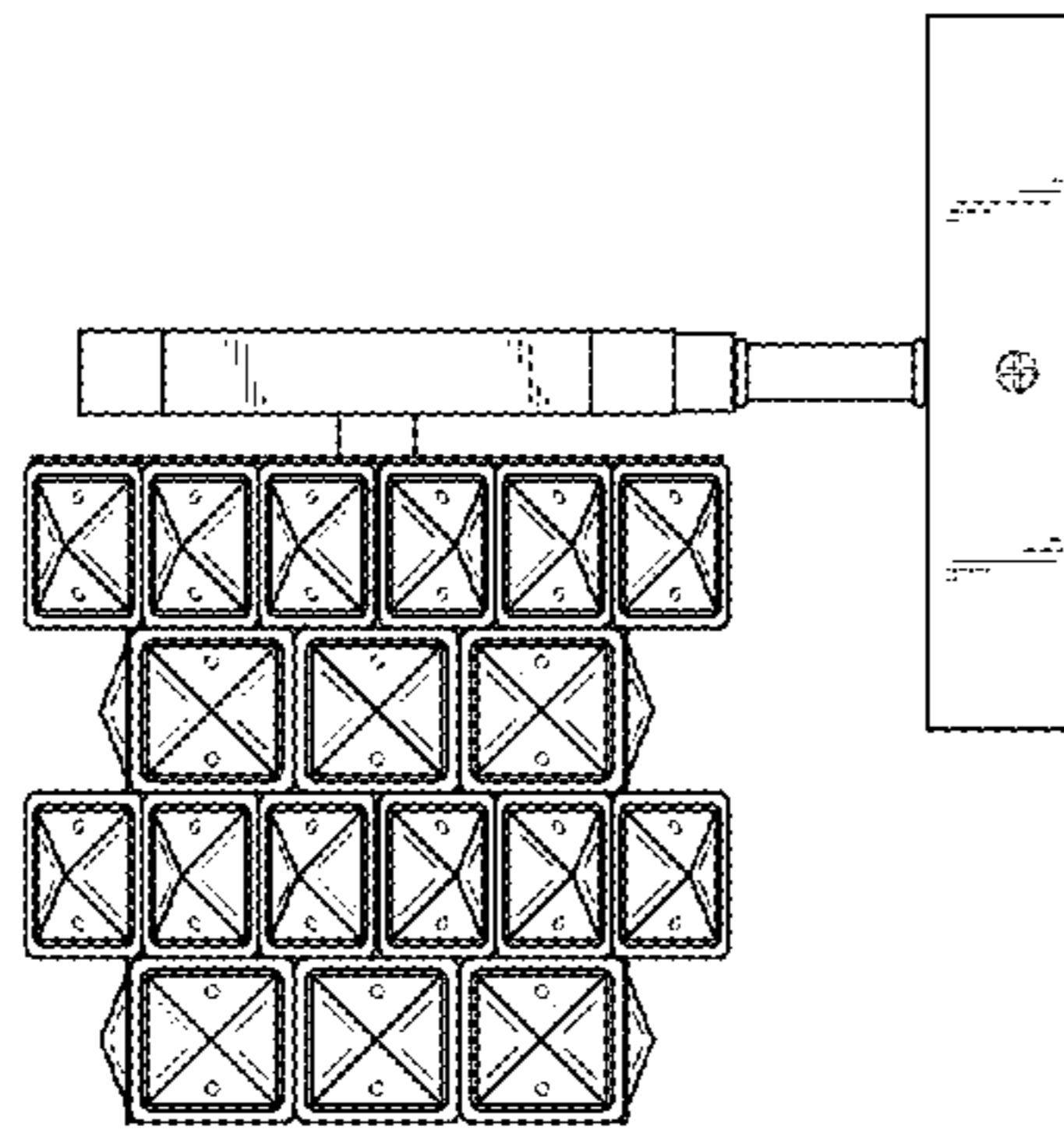


FIG.6



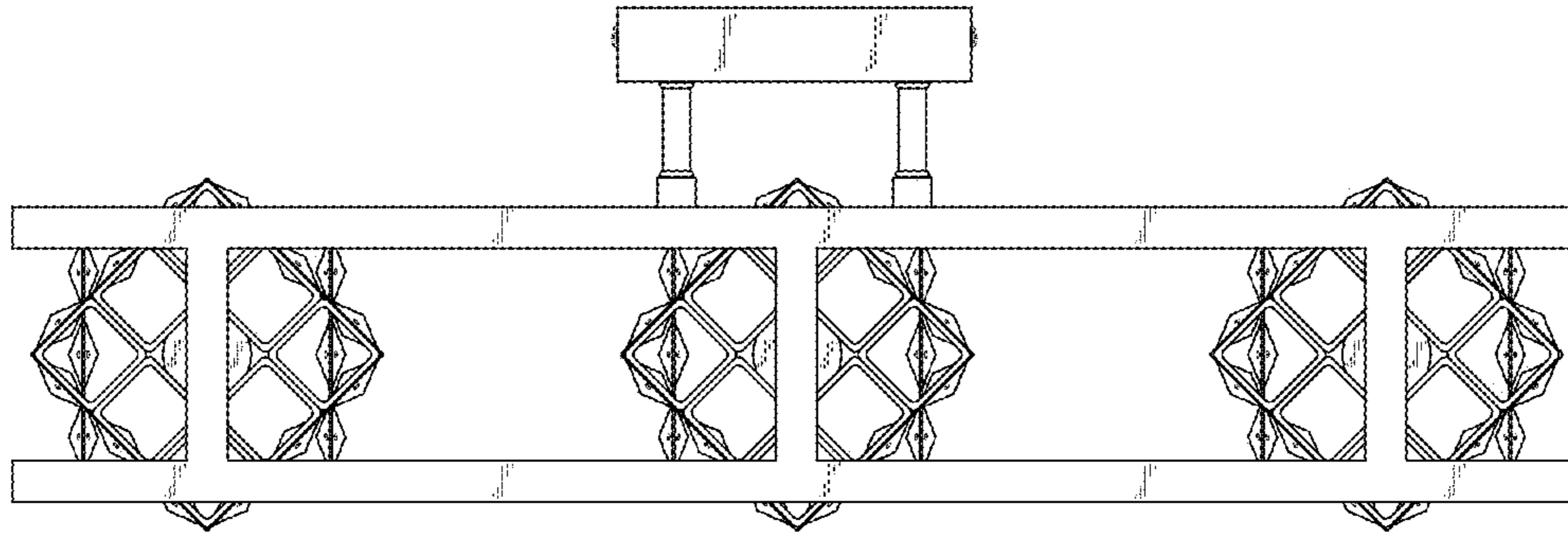


FIG.7

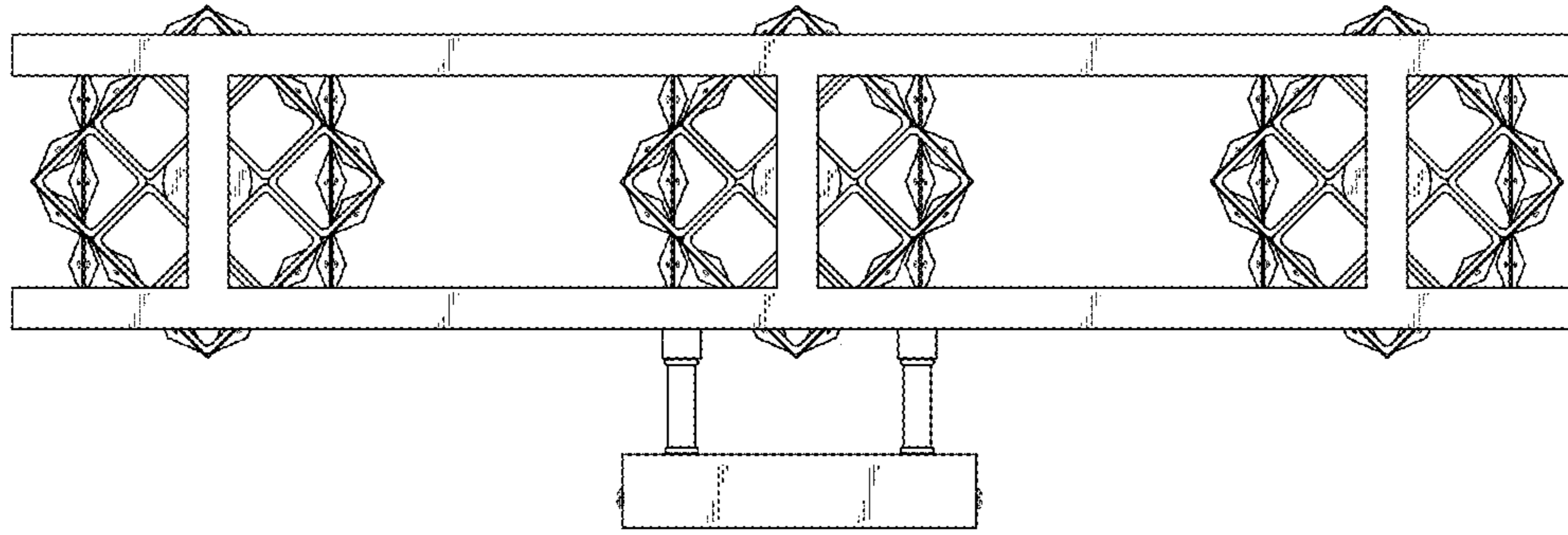


FIG.8

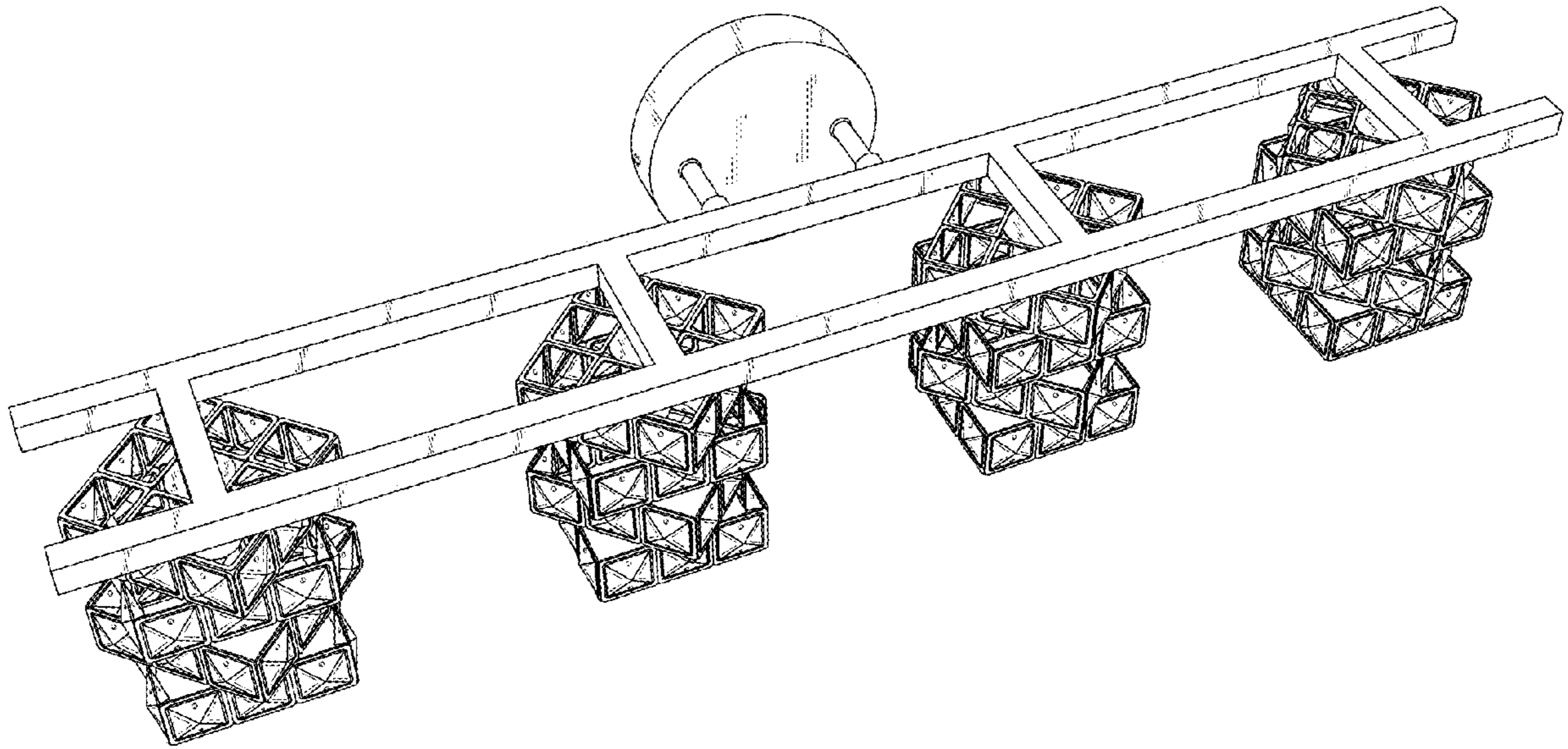


FIG.9

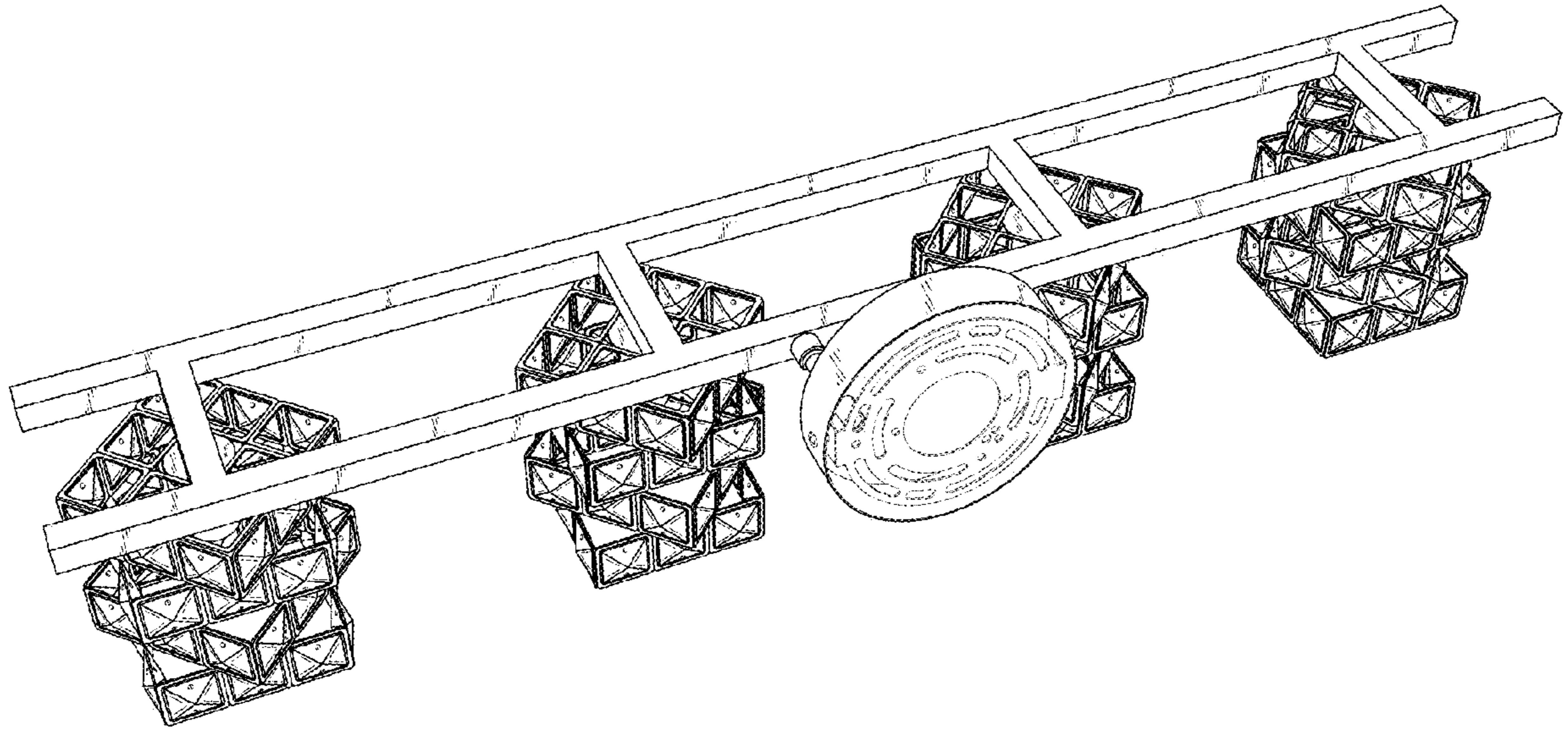


FIG.10

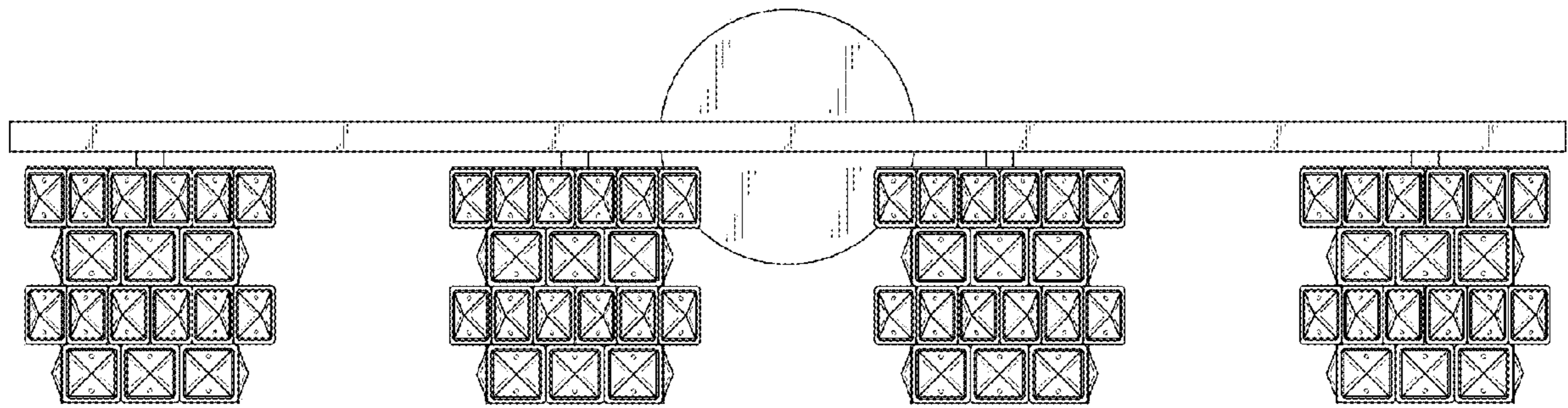


FIG.11

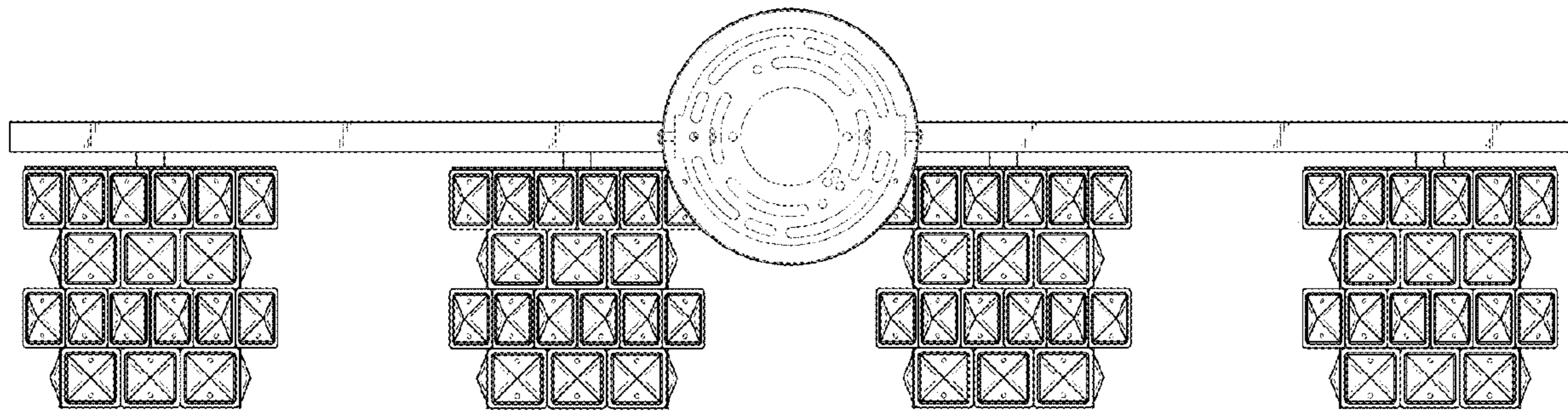


FIG.12

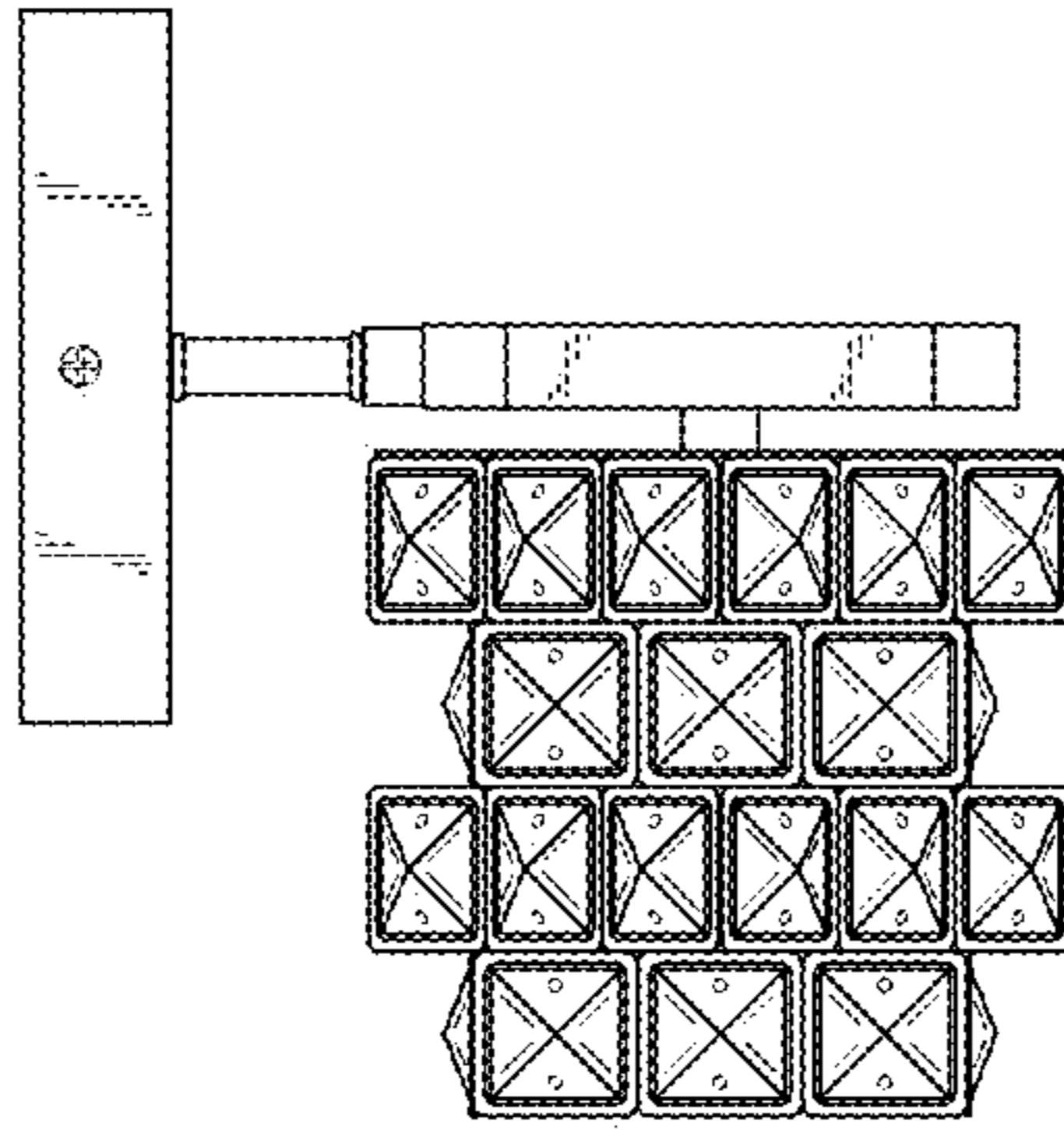


FIG.13

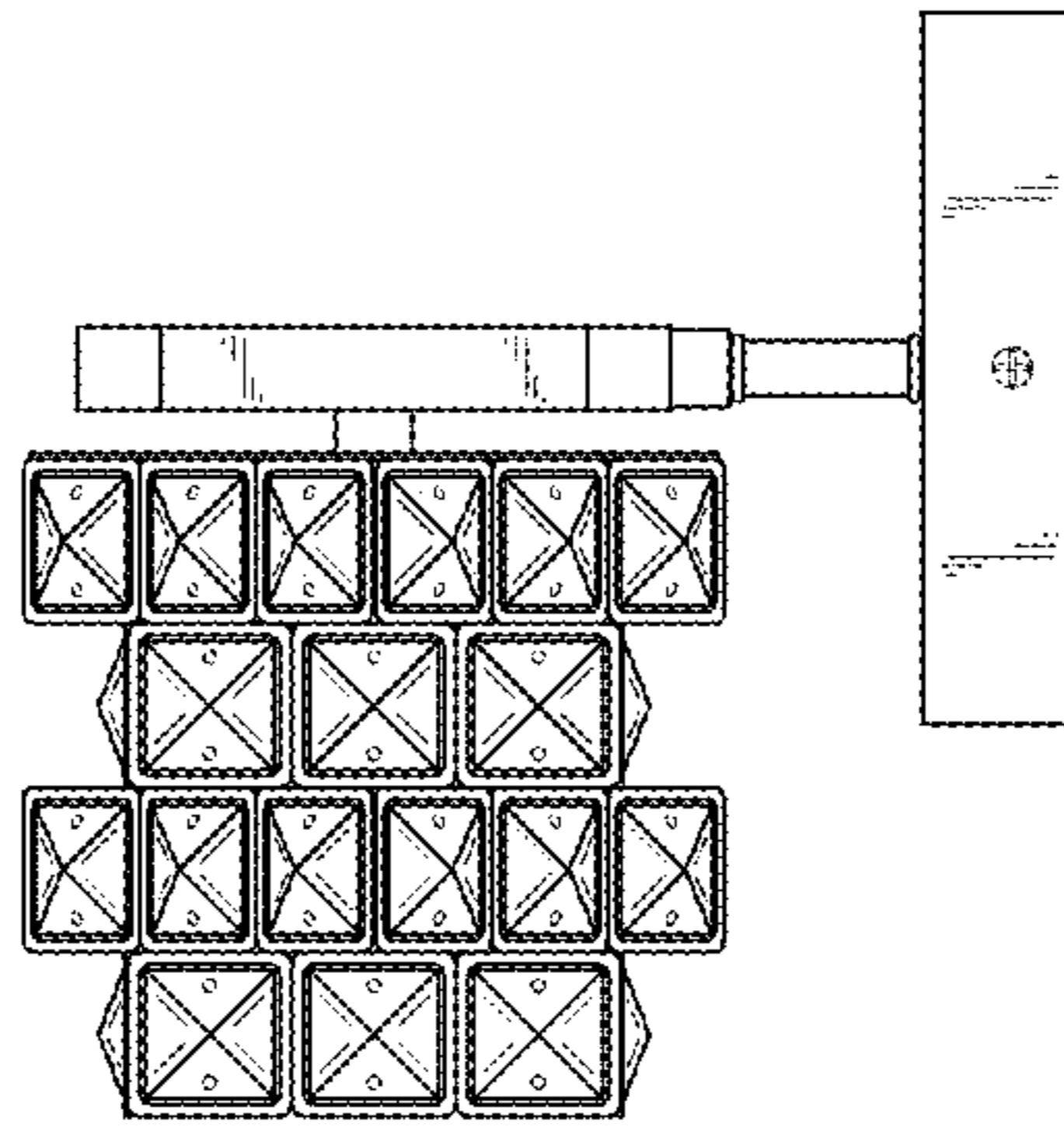


FIG.14



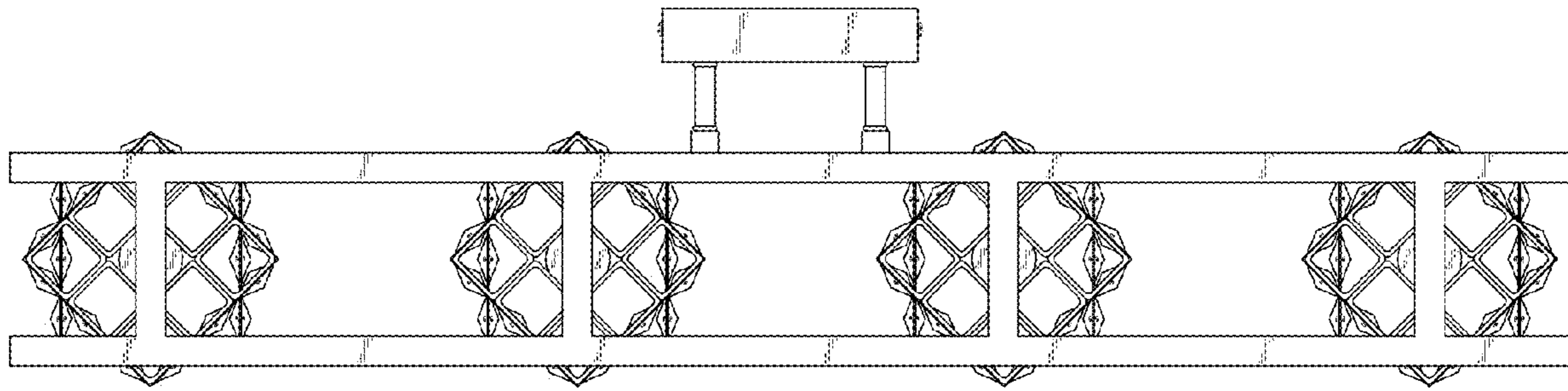


FIG.15

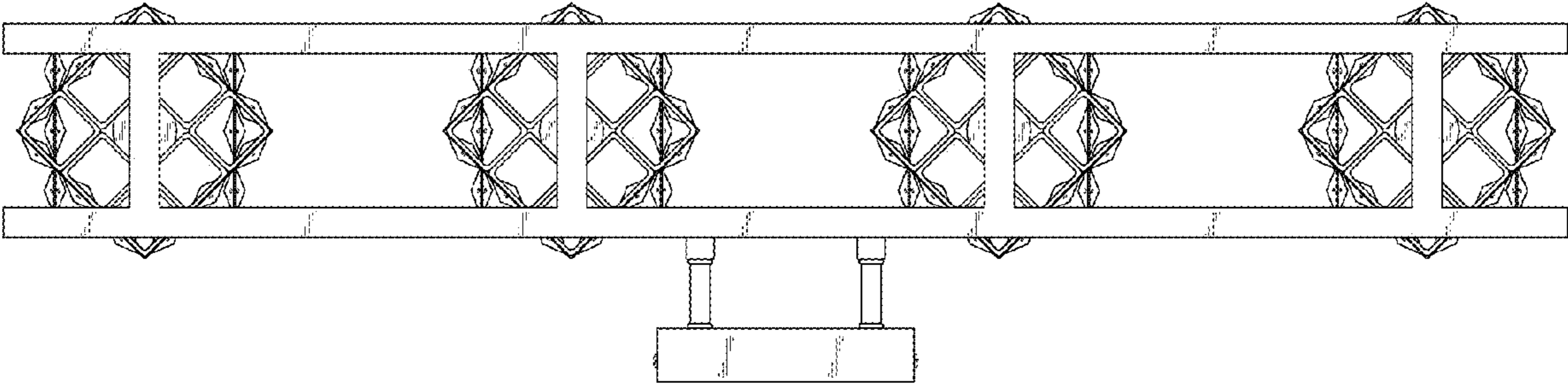


FIG.16