



US00D924461S

(12) **United States Design Patent**  
**Hu**

(10) **Patent No.:** **US D924,461 S**  
(45) **Date of Patent:** **\*\* Jul. 6, 2021**

(54) **BATHROOM VANITY LIGHT**

(71) Applicant: **Yuting Hu**, Guangdong (CN)

(72) Inventor: **Yuting Hu**, Guangdong (CN)

(\*\*) Term: **15 Years**

(21) Appl. No.: **29/751,436**

(22) Filed: **Sep. 21, 2020**

(51) **LOC (13) Cl.** ..... **26-03**

(52) **U.S. Cl.**  
USPC ..... **D26/86; D26/87**

(58) **Field of Classification Search**  
USPC ..... D26/72, 85-87, 92  
CPC .... F21S 8/03; F21S 8/035; F21S 8/036; F21S 8/046

See application file for complete search history.

(56) **References Cited**

**U.S. PATENT DOCUMENTS**

D339,652 S *	9/1993	Segill	.....	D26/86
D536,471 S *	2/2007	Matons	.....	D26/87
D588,295 S *	3/2009	Schonbek	.....	D26/128
D816,881 S *	5/2018	Qiao	.....	D26/86
D887,614 S	6/2020	Lin		
D888,316 S *	6/2020	Huang	.....	D26/86
D893,791 S	8/2020	Lin		
D910,899 S *	2/2021	Zheng	.....	D26/86

**OTHER PUBLICATIONS**

YHTIaeh 2020 New Bathroom Vanity Light Fixture available at amazon.com Jul. 8, 2020. (Year: 2020).\*

Westinghouse Lighting 6337900 Sophie Three-Light Indoor Wall Fixture available at amazon.com Apr. 8, 2017. (Year: 2017).\*

\* cited by examiner

*Primary Examiner* — Clare E Heflin

(74) *Attorney, Agent, or Firm* — ScienBiziP, P.C.

(57) **CLAIM**

The ornamental design for a bathroom vanity light, as shown and described.

**DESCRIPTION**

FIG. 1 is a front perspective view of a bathroom vanity light, showing my design.

FIG. 2 is a rear perspective view thereof.

FIG. 3 is a front elevation view thereof.

FIG. 4 is a rear elevation view thereof.

FIG. 5 is a left side elevation thereof.

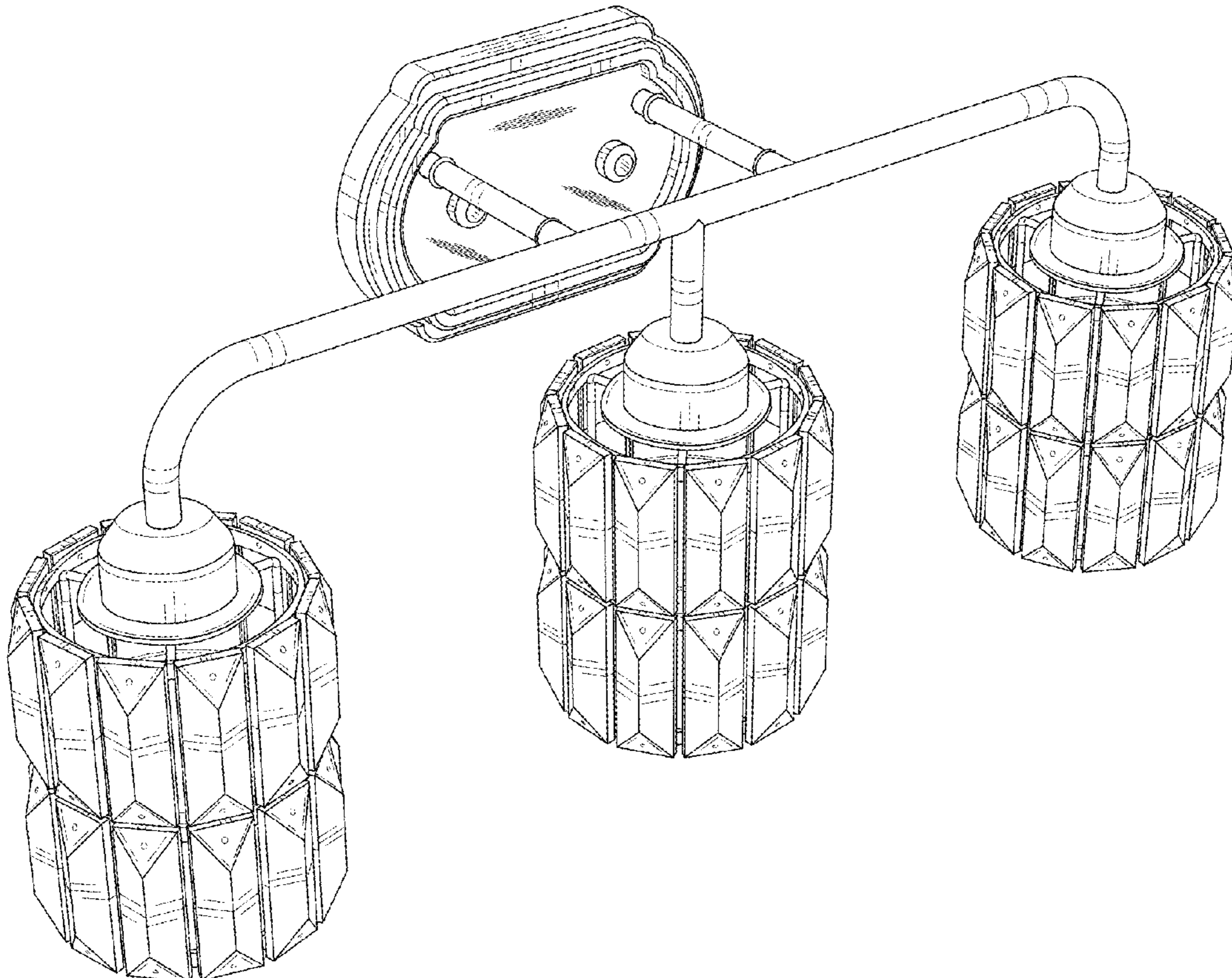
FIG. 6 is a right side elevation thereof.

FIG. 7 is a top plan view thereof; and,

FIG. 8 is a bottom plan view thereof.

The broken lines on the drawings represent portions of the bathroom vanity light that form no part of the claimed design.

**1 Claim, 8 Drawing Sheets**



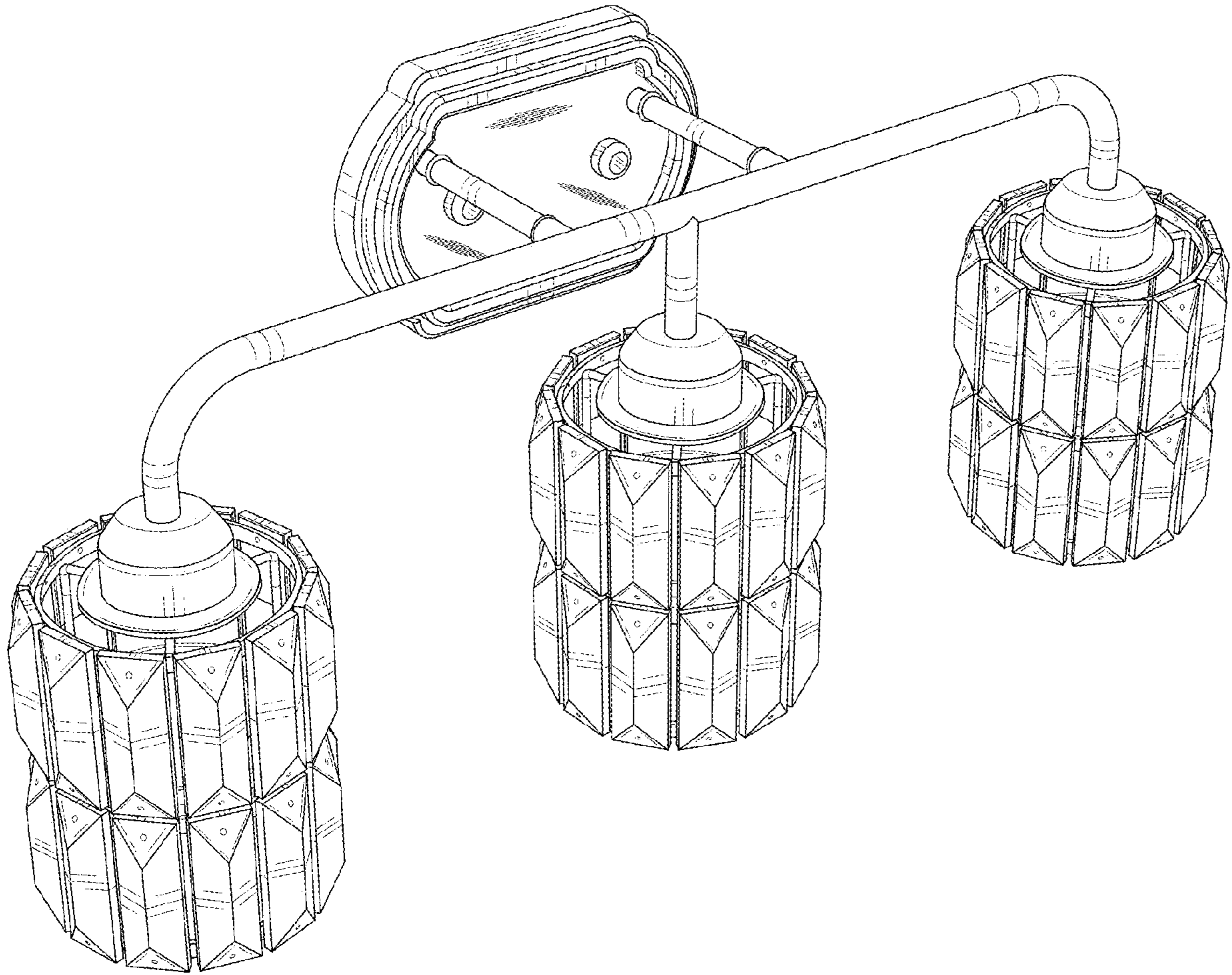


FIG.1



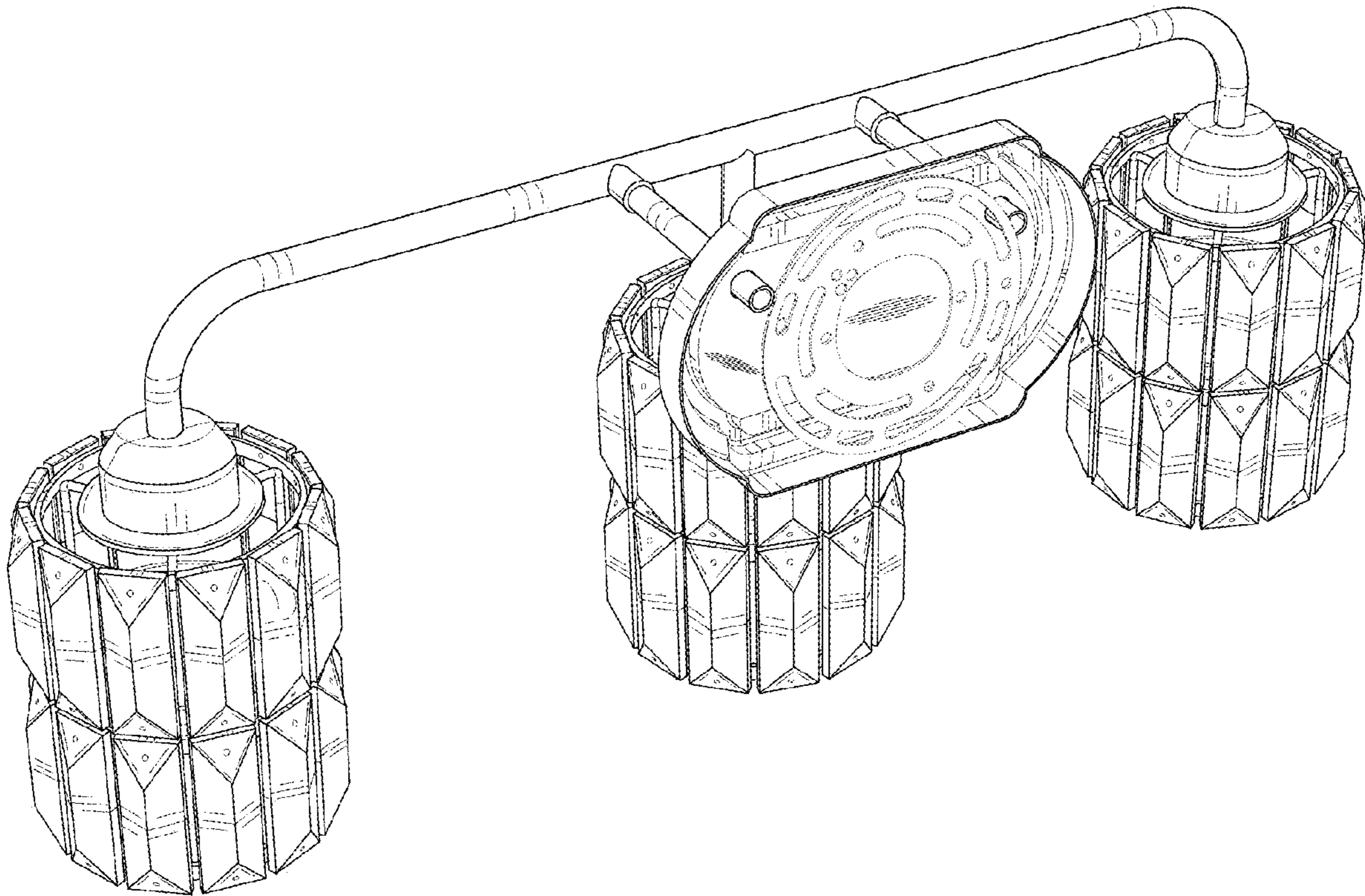


FIG.2

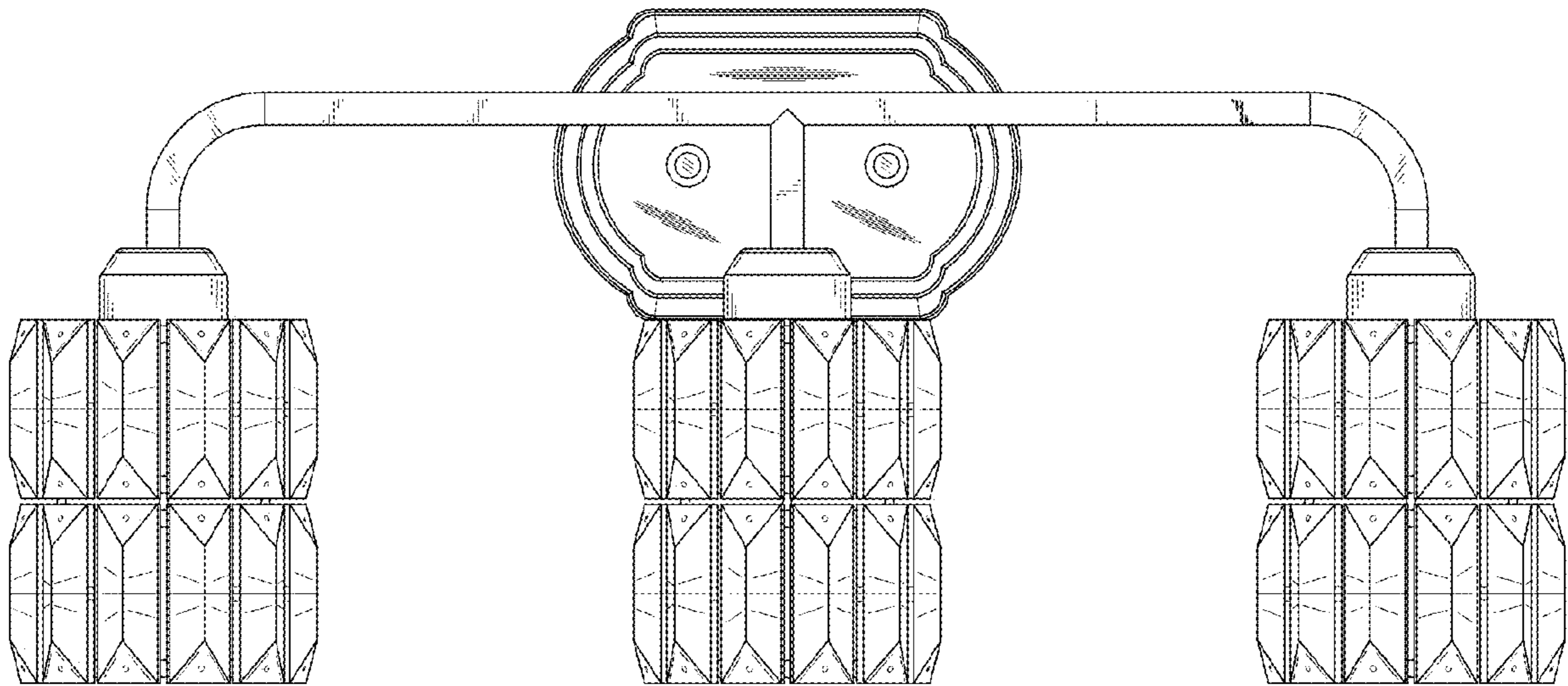


FIG.3

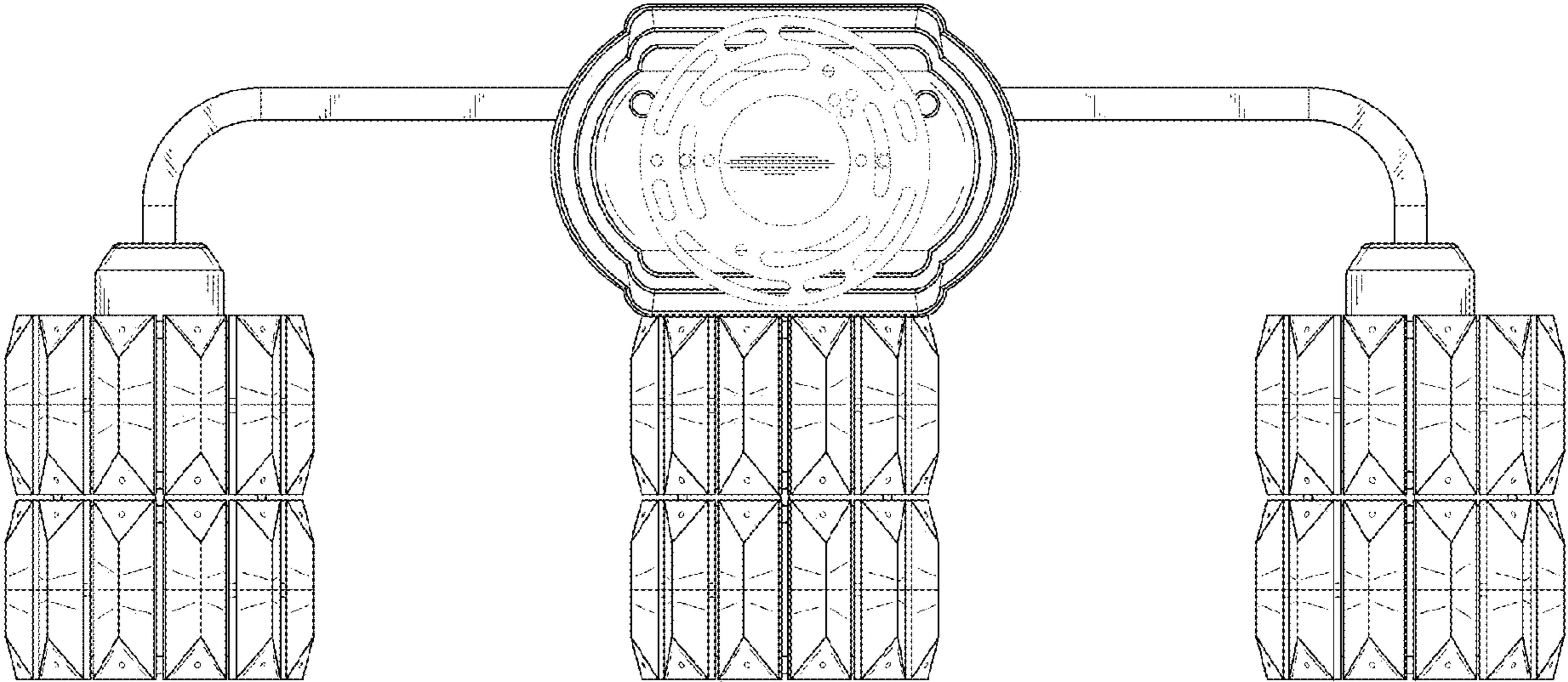


FIG.4

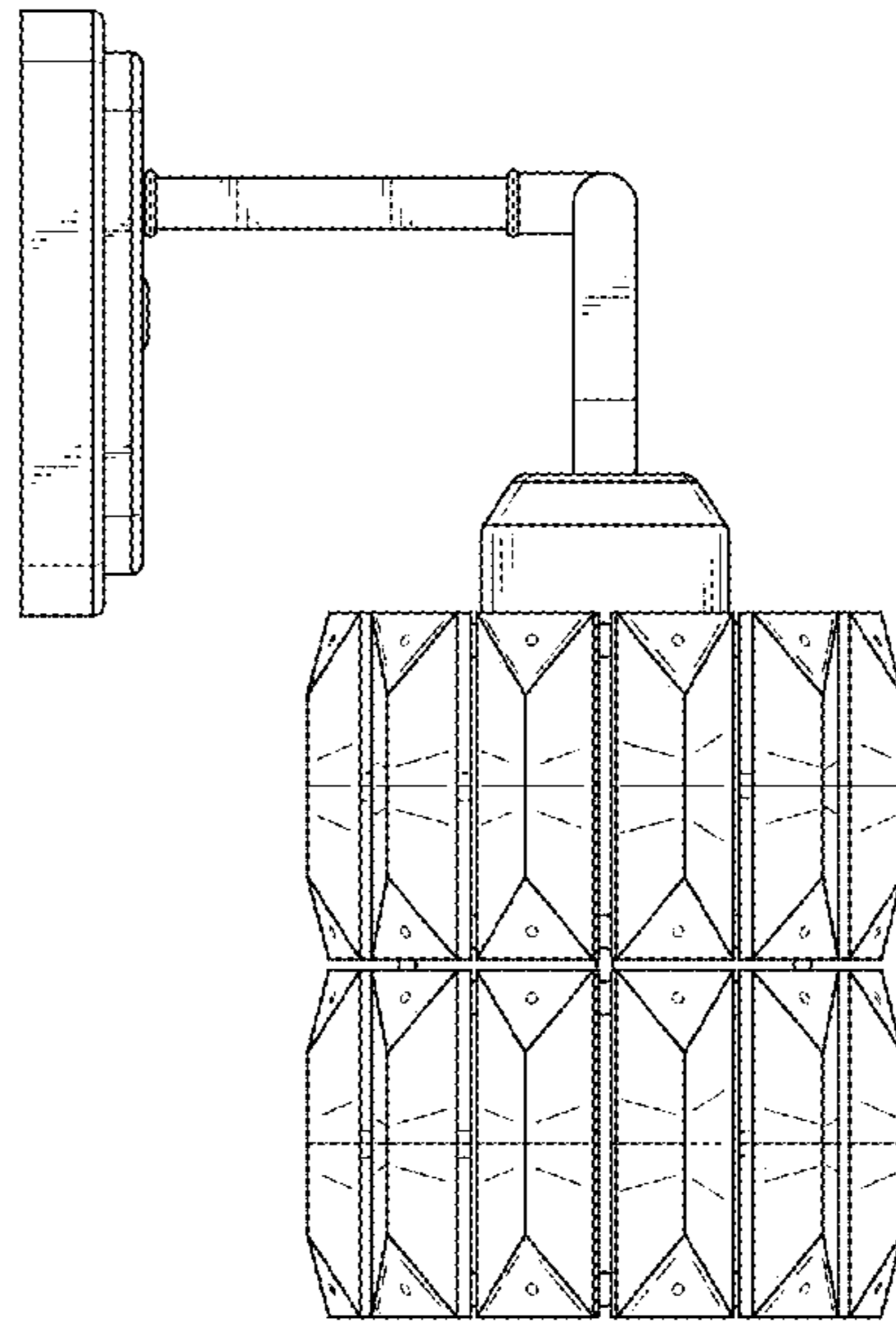


FIG.5

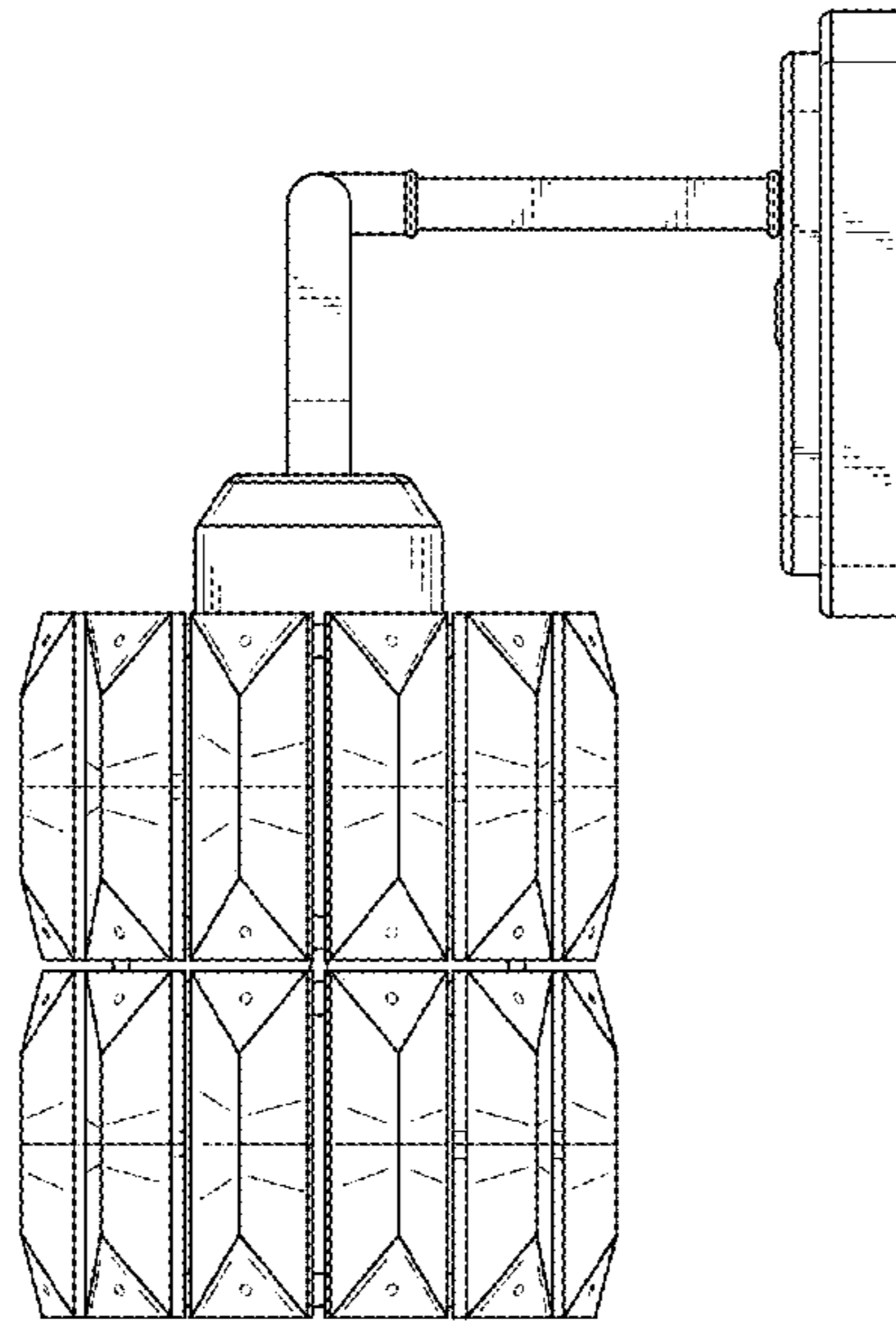


FIG.6

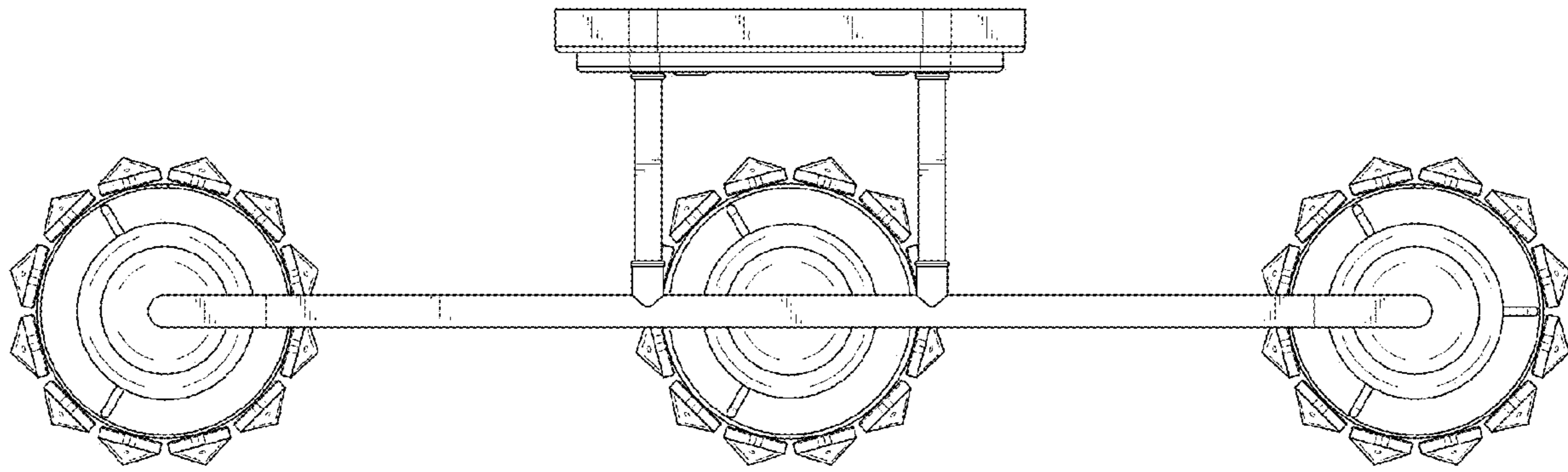


FIG.7



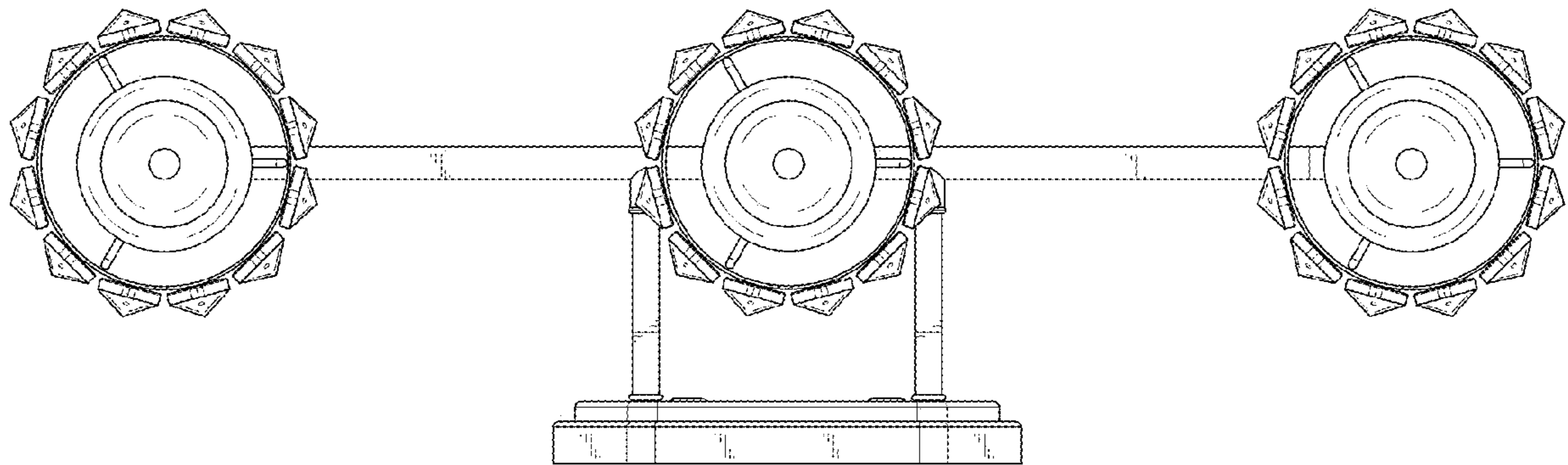


FIG.8