



US00D924458S

(12) **United States Design Patent**
Tang

(10) **Patent No.:** **US D924,458 S**
(45) **Date of Patent:** **** Jul. 6, 2021**

(54) **LAMP**

(71) Applicant: **Shenzhen JinDian Electronic Technology Co., Ltd., Shenzhen (CN)**

(72) Inventor: **Shifu Tang, Shenzhen (CN)**

(**) Term: **15 Years**

(21) Appl. No.: **29/733,151**

(22) Filed: **Apr. 30, 2020**

(51) **LOC (13) Cl.** **26-05**

(52) **U.S. Cl.**
USPC **D26/67**

(58) **Field of Classification Search**
USPC D26/40, 41, 67-70, 72, 85
CPC F21S 8/03; F21S 8/033; F21S 8/036; F21S 8/081; F21W 2111/02; F21W 2111/023; F21W 2131/109

See application file for complete search history.

(56) **References Cited**

U.S. PATENT DOCUMENTS

D517,717 S *	3/2006	Sanoner	D26/68
7,041,899 B2 *	5/2006	Stekelenburg	H01R 25/00 174/50
D555,278 S *	11/2007	Sanoner	D26/68
D605,326 S *	12/2009	Sanoner	D26/68
D605,808 S *	12/2009	Sanoner	D26/68
D822,253 S *	7/2018	Wu	D26/68
D834,515 S *	11/2018	Zhang	D13/102
10,619,810 B1 *	4/2020	Hwang	F21V 3/00
D884,246 S *	5/2020	Tang	D26/67
D885,631 S *	5/2020	Li	D26/67

D905,313 S *	12/2020	Liao	D26/67
D911,574 S *	2/2021	Hui	D26/68
2006/0044785 A1 *	3/2006	Lee	F21S 9/037 362/96

OTHER PUBLICATIONS

Roswell Solar Path Light from Brilliance Metal Works, retrieved from <<https://www.brillianceled.com/roswell-solar-path-light>> visited Mar. 24, 2021. (Year: 2021).*

* cited by examiner

Primary Examiner — Clare E Heflin

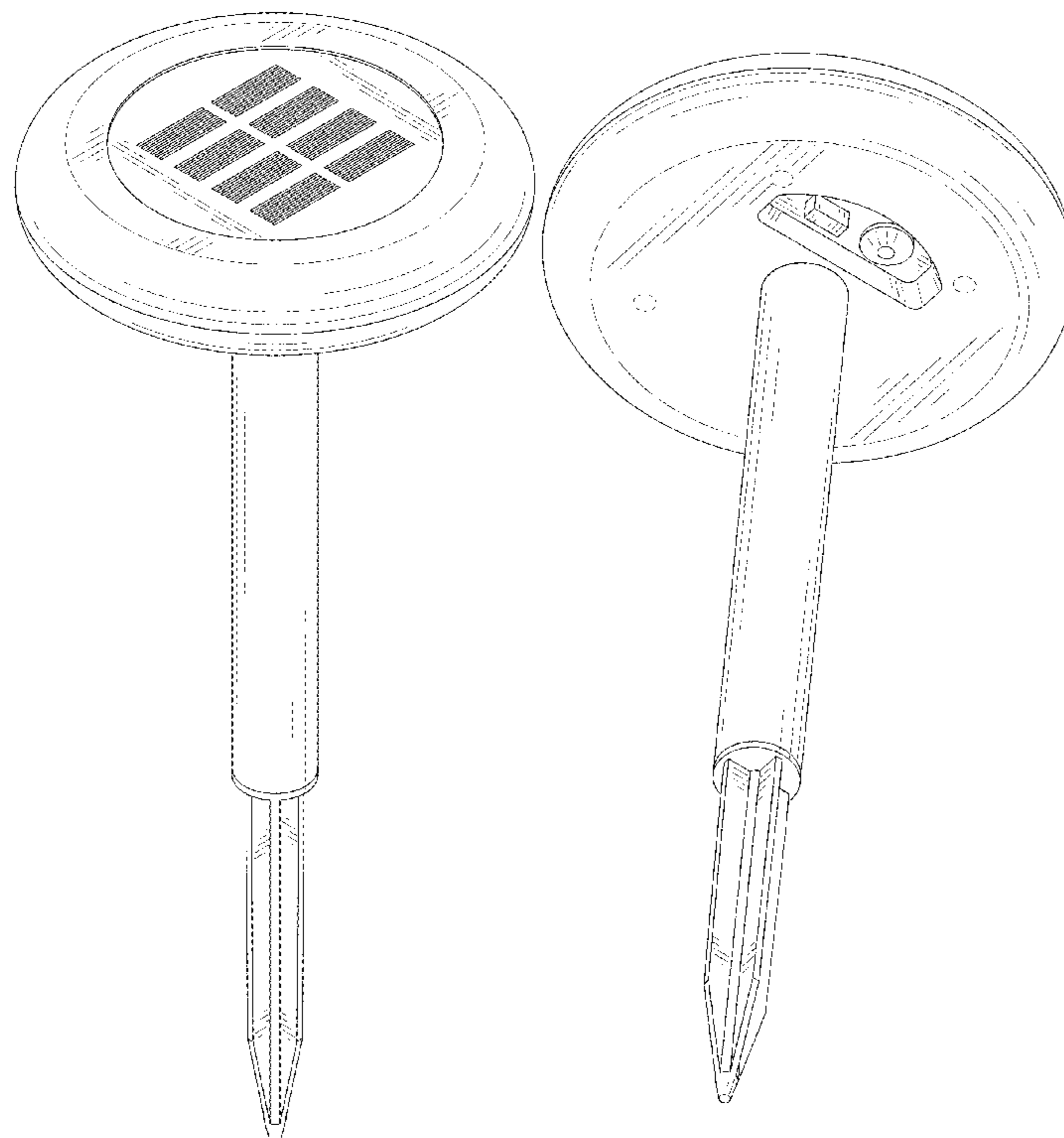
(57) **CLAIM**

The ornamental design for a lamp, as shown and described.

DESCRIPTION

FIG. 1 is a first perspective view of a lamp showing my new design;
FIG. 2 is a second perspective view thereof;
FIG. 3 is a front view thereof;
FIG. 4 is a back view thereof;
FIG. 5 is a left side view thereof;
FIG. 6 is a right side view thereof;
FIG. 7 is a top view thereof; and,
FIG. 8 is a bottom view thereof.
The broken lines shown in the drawings depict portions of the lamp in which the design is embodied that form no part of the claimed design.

1 Claim, 8 Drawing Sheets



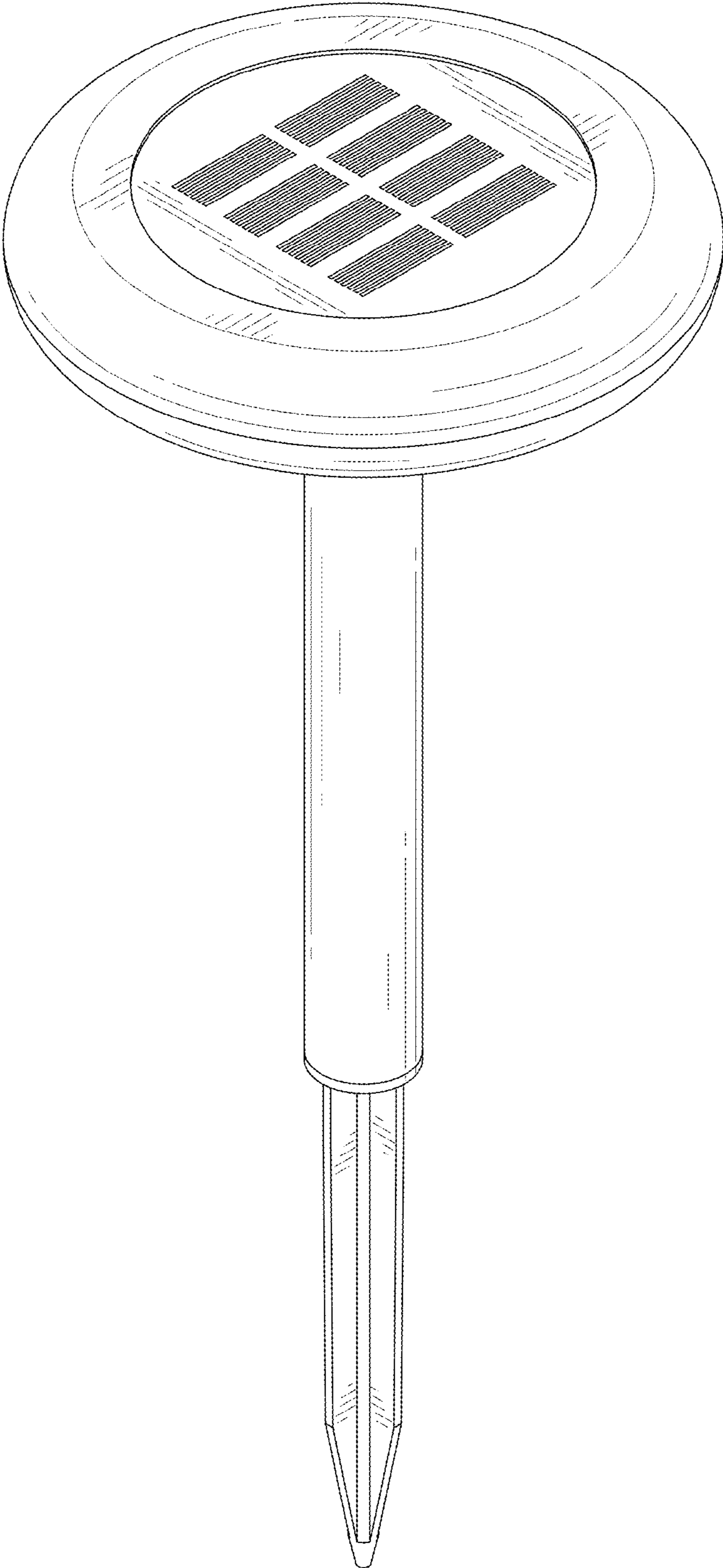


FIG. 1

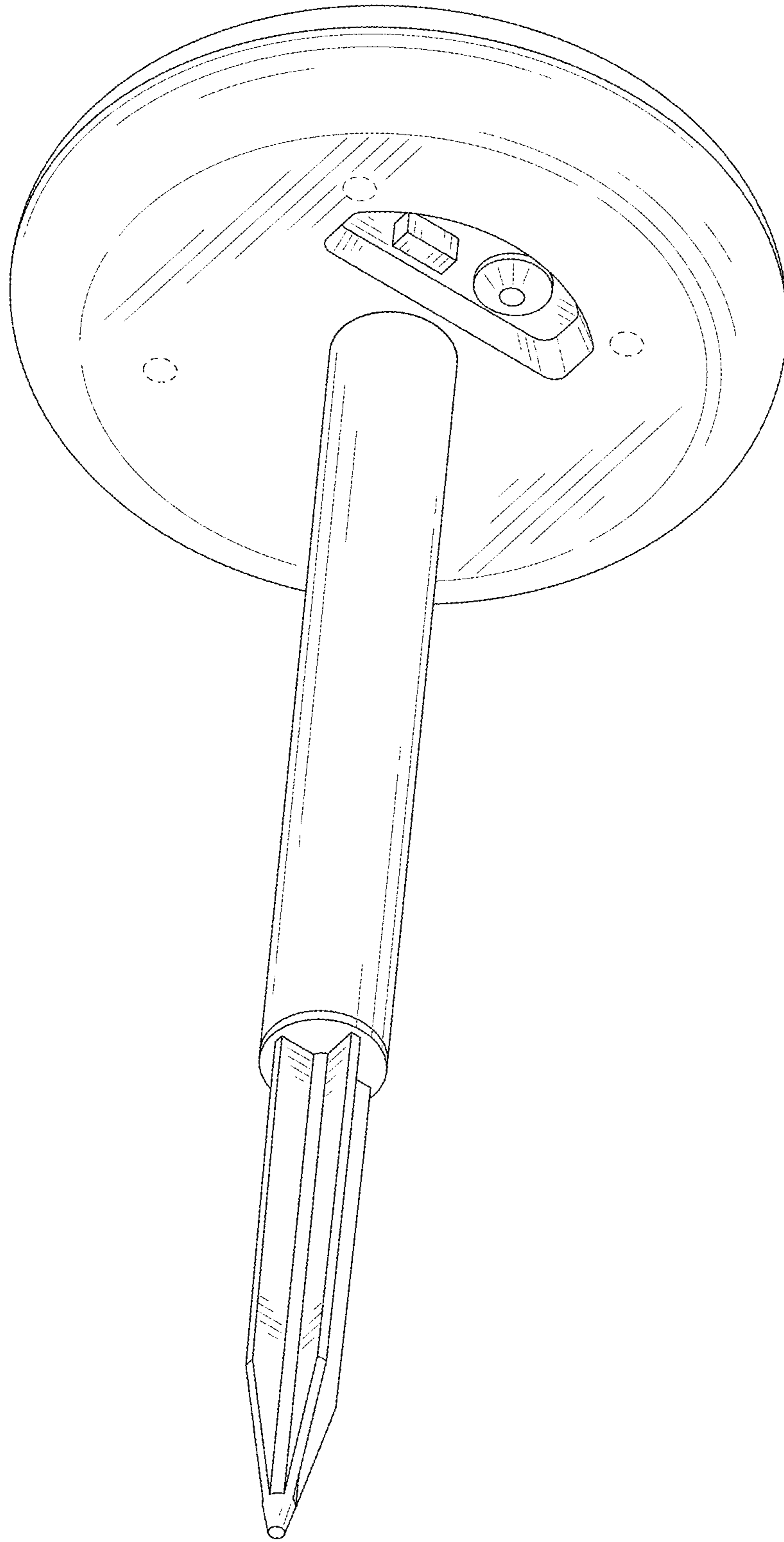


FIG. 2

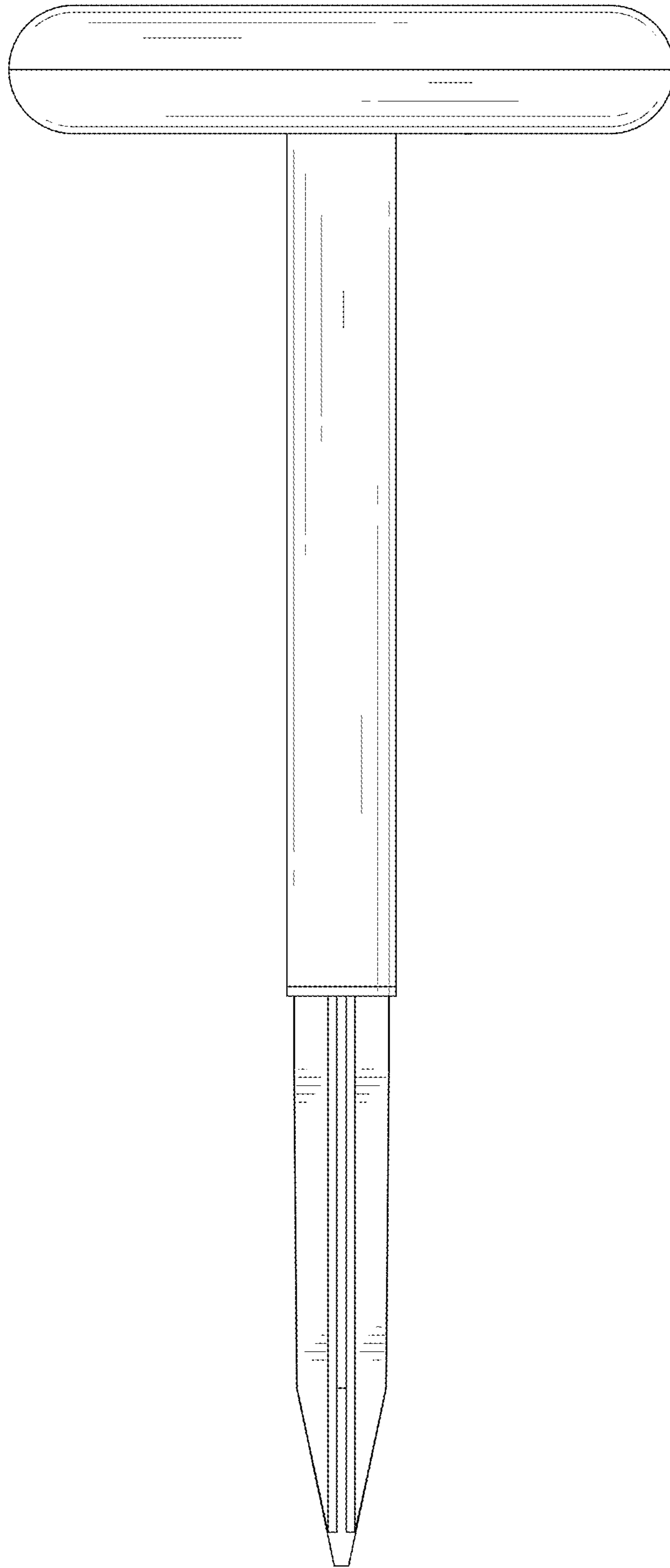


FIG. 3

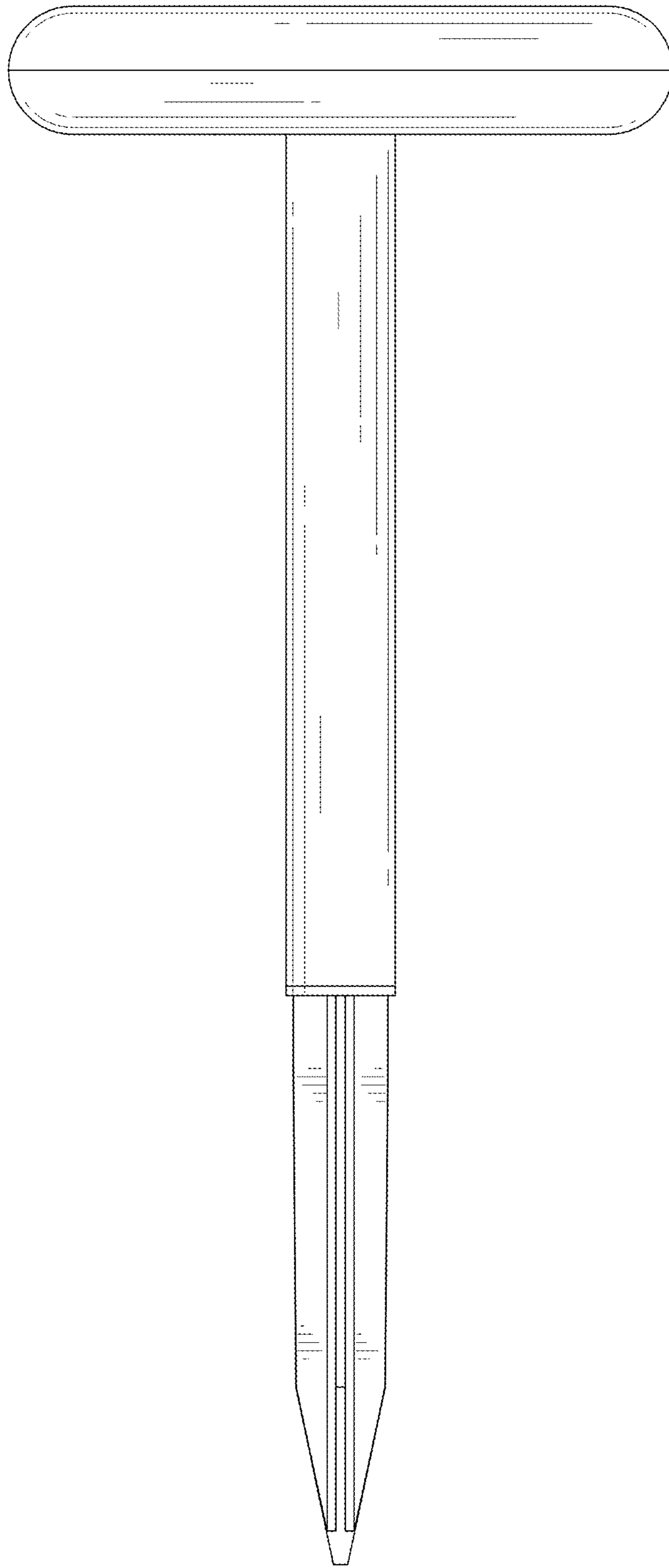


FIG. 4

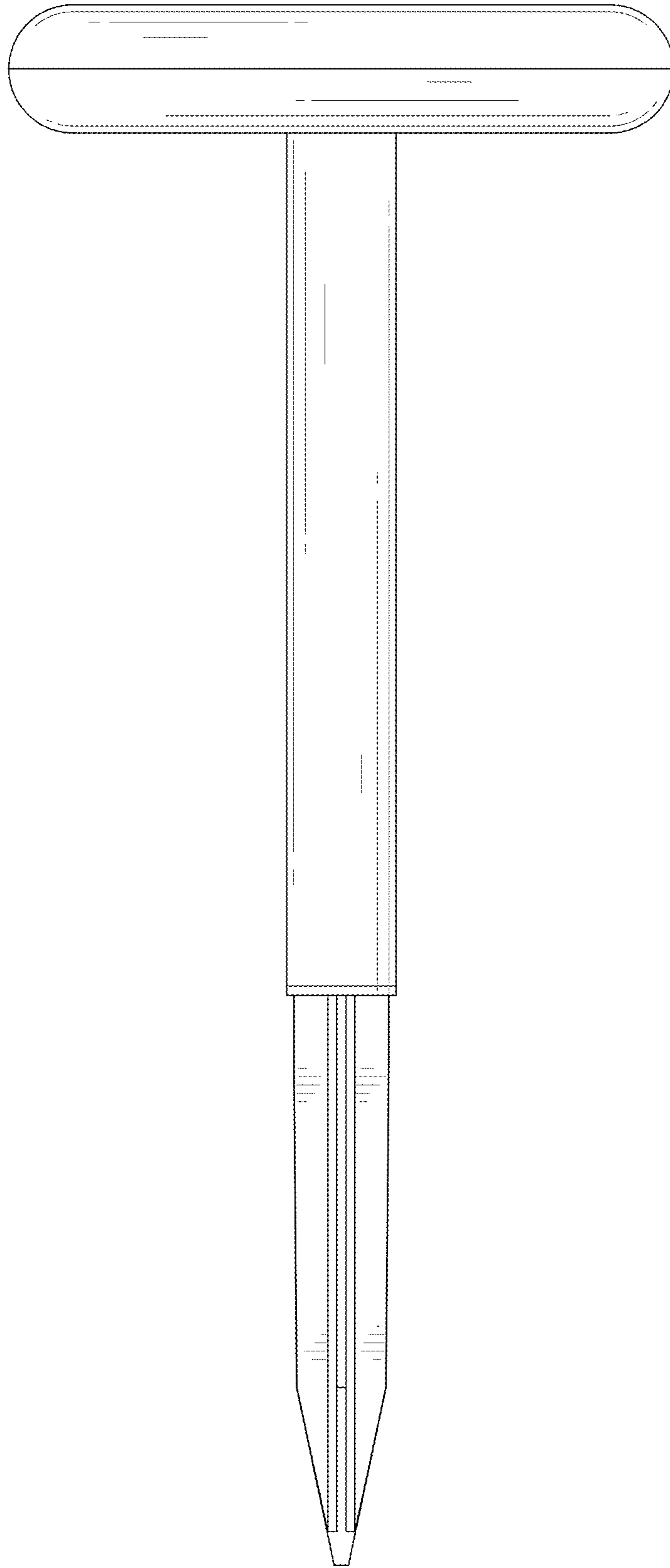


FIG. 5

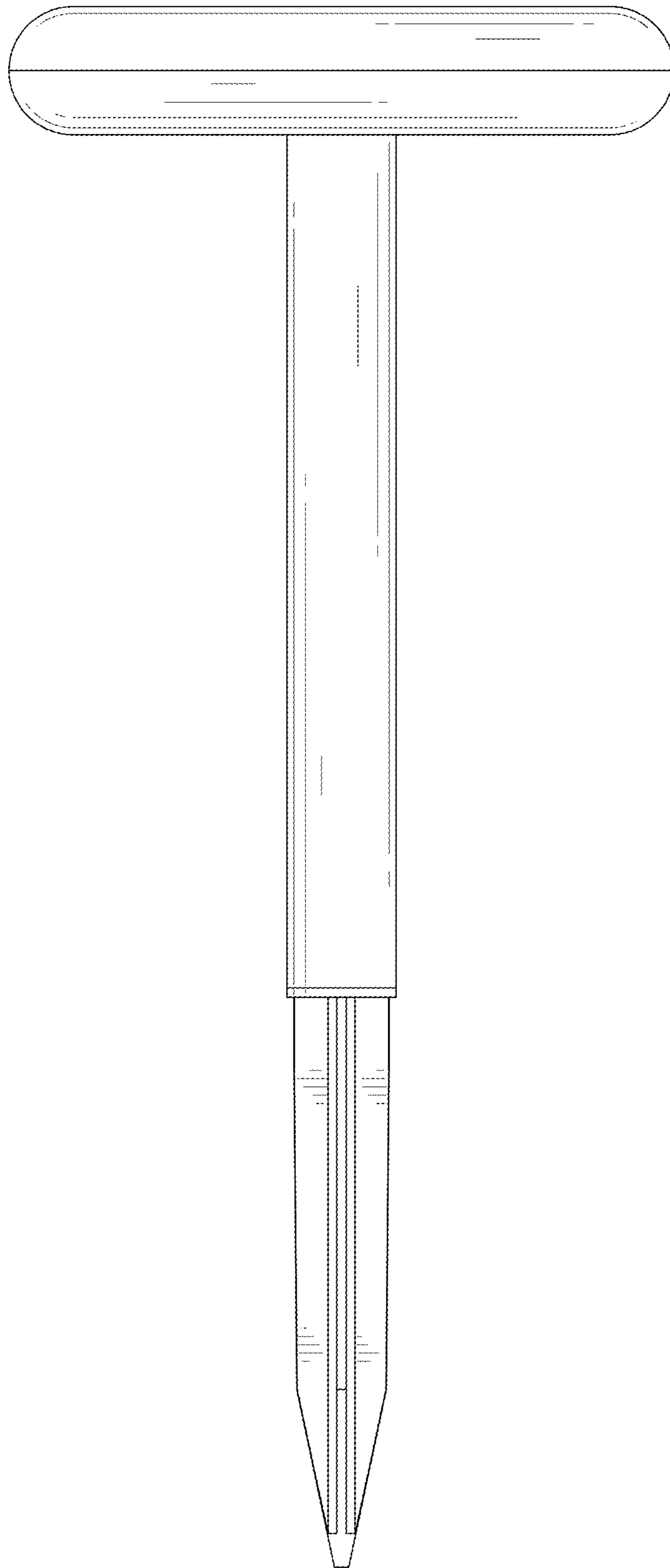


FIG. 6

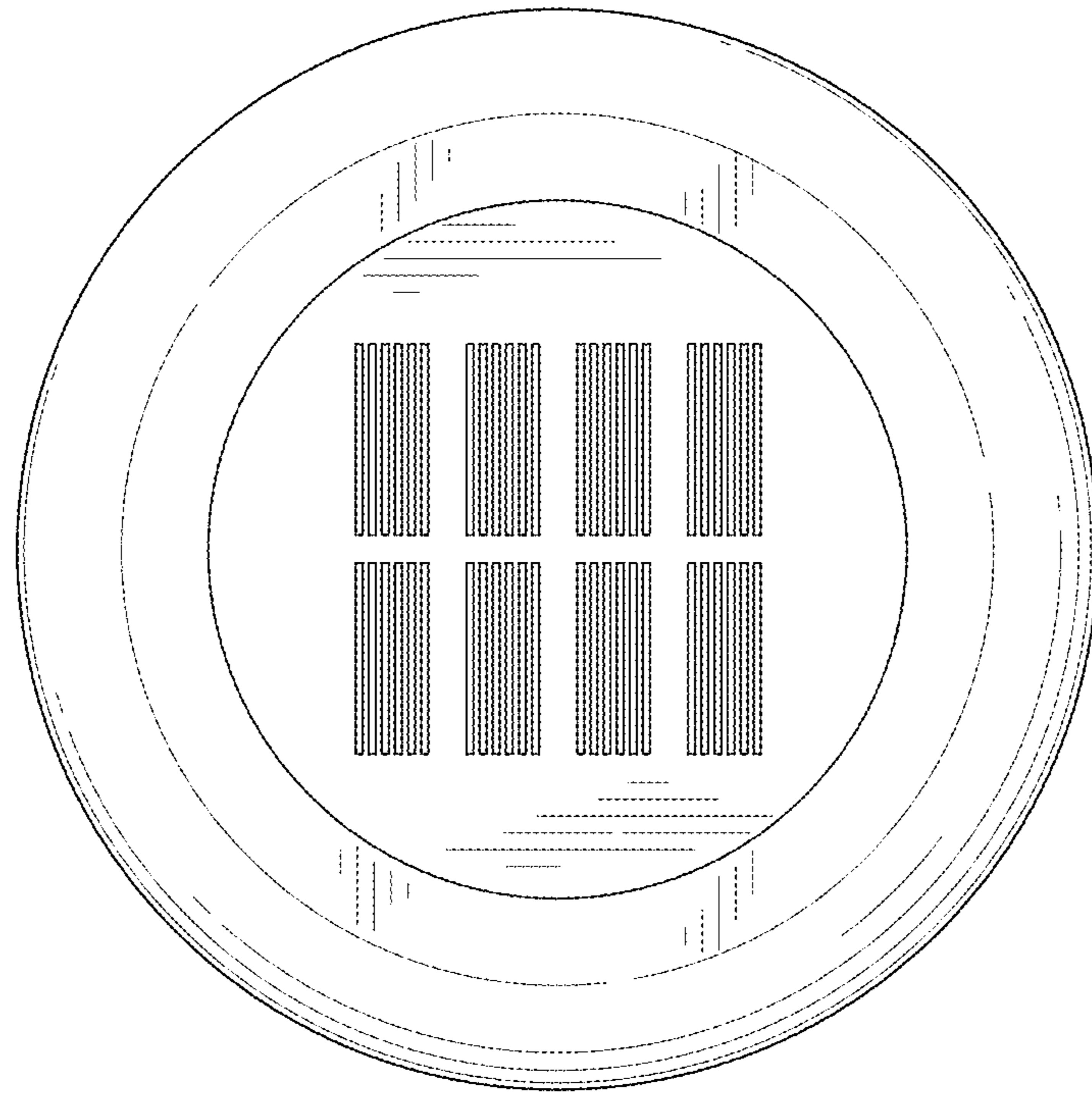


FIG. 7

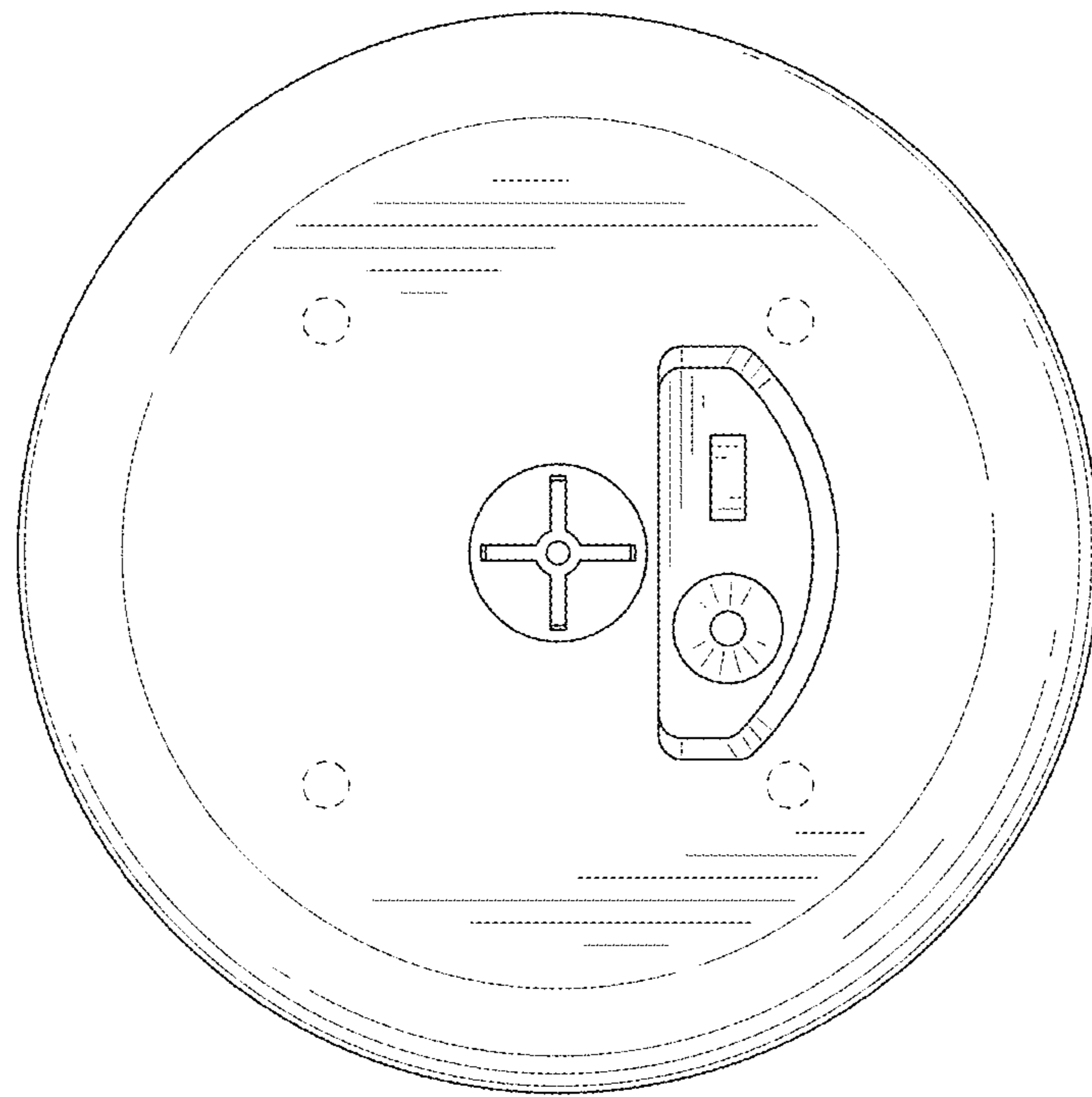


FIG. 8