



US00D924456S

(12) **United States Design Patent** (10) Patent No.: **US D924,456 S**
Zhao et al. (45) Date of Patent: **** Jul. 6, 2021**

(54) **LIGHTED MIRROR APPARATUS WITH ROUND BASE**

- (71) Applicant: **E2 Limited**, Fotan (CN)
- (72) Inventors: **Hebing Zhao**, Hong Kong (CN); **Foping Luo**, Dongguan (CN)
- (73) Assignee: **E2 Limited**, Hong Kong (CN)
- (**) Term: **15 Years**
- (21) Appl. No.: **29/685,710**
- (22) Filed: **Mar. 29, 2019**
- (51) **LOC (13) Cl. 26-05**
- (52) **U.S. Cl.**
USPC **D26/56; D6/308**
- (58) **Field of Classification Search**
USPC **D6/300–314; D26/56**
CPC ... **A47G 1/00; A47G 1/02; A47G 1/06; A47G**
1/0616; A47G 1/14; A47G 1/141; A45D
42/00; A45D 42/14; A45D 42/16; A45D
42/10
See application file for complete search history.

(56) **References Cited**
U.S. PATENT DOCUMENTS

D425,313 S *	5/2000	Zadro	D6/309
D454,701 S *	3/2002	Eric	D6/308
D509,369 S *	9/2005	Snell	D6/310
7,048,406 B1 *	5/2006	Shih	A45D 42/10
				362/135
D649,790 S *	12/2011	Pitot	D6/309
D652,220 S *	1/2012	Pitot	D6/309
D657,576 S *	4/2012	Pitot	D6/309
D699,448 S *	2/2014	Yang	D6/309
D707,454 S *	6/2014	Pitot	D6/309
8,746,917 B2 *	6/2014	Zimmerman	A45D 42/00
				219/220

(Continued)

OTHER PUBLICATIONS

amazon.com. simplehuman 8" Round Sensor Makeup Mirror. Undated online product page. Retrieved on Sep. 22, 2020 from <https://www.amazon.com/simplehuman-Stainless-Brightness-Control-Brushed/dp/B075N22RSF/ref=sr_1_1?dchild=1&keywords=simplehuman+8%27%27+Round+Sensor+Mirror...> (Year: 2020).*

(Continued)

Primary Examiner — Marcus A Jackson
Assistant Examiner — Stacey L Hopkins
(74) Attorney, Agent, or Firm — Garson & Gutierrez, PC

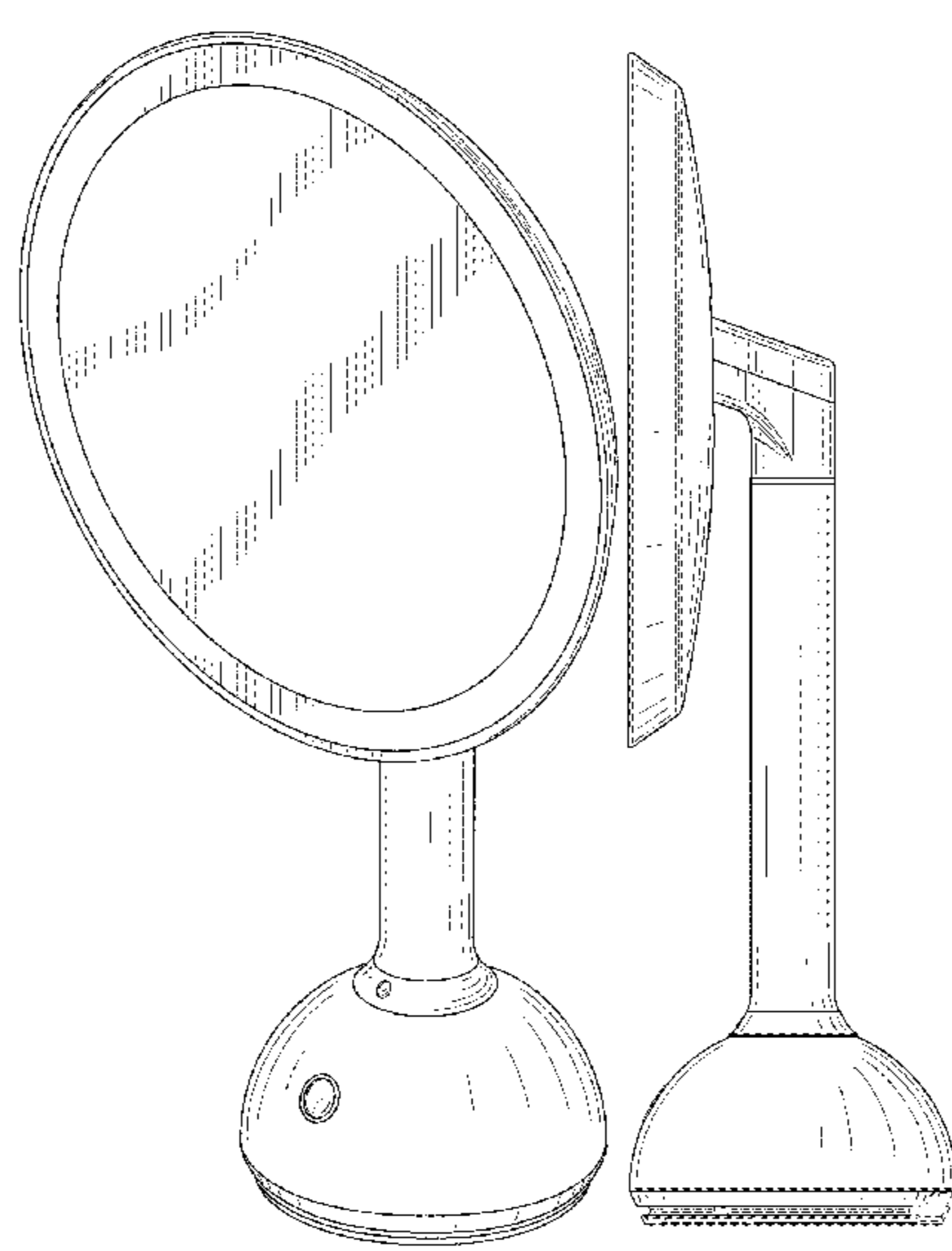
(57) **CLAIM**

The ornamental design of a lighted mirror apparatus with a round base, as shown or described herein.

DESCRIPTION

FIG. 1 is a perspective view of a lighted mirror apparatus with a round base, showing our new design; FIG. 2 is a front side elevation view of the lighted mirror apparatus with a round base of FIG. 1; FIG. 3 is a back side elevation of the lighted mirror apparatus with a round base of FIG. 1; FIG. 4 is a right side elevation view of the lighted mirror apparatus with a round base of FIG. 1; FIG. 5 is a left side elevation view of the lighted mirror apparatus with a round base of FIG. 1; FIG. 6 is a top plan view of the lighted mirror apparatus with a round base of FIG. 1; and, FIG. 7 is a bottom plan view of the lighted mirror apparatus with a round base of FIG. 1. Throughout the drawings the broken lines depict portions of the lighted mirror apparatus with round base that form no part of the claimed design. More generally, the invention pertains to an ornamental design for an article of manufacture. The article is not limited to the scale shown herein. As indicated in the title, the article of manufacture to which the ornamental design has been applied is a lighted mirror apparatus with a round base.

1 Claim, 6 Drawing Sheets



(56)

References Cited

U.S. PATENT DOCUMENTS

D730,065 S * 5/2015 Tsai D6/310
D736,001 S * 8/2015 Yang D6/309
D737,060 S * 8/2015 Yang D6/309
9,232,846 B2 * 1/2016 Fung A45D 42/10
D751,829 S * 3/2016 Yang D6/309
D754,446 S * 4/2016 Yang D6/309
9,347,660 B1 * 5/2016 Zadro A45D 42/08
D776,316 S * 1/2017 Kim D26/51
D779,836 S * 2/2017 Bailey D6/309
9,638,410 B2 5/2017 Yang
D793,099 S * 8/2017 Bailey D14/172
9,897,306 B2 2/2018 Yang
D816,350 S * 5/2018 Yang D6/309
D830,706 S * 10/2018 Pitot D6/309
10,206,486 B2 * 2/2019 Zimmerman A45D 42/10
D845,652 S * 4/2019 Yang D6/309
D846,288 S * 4/2019 Yang D6/309
10,398,213 B2 * 9/2019 Vargas H04N 5/2251
D871,084 S * 12/2019 Pestl D6/309
D873,574 S * 1/2020 Wei D6/309
10,524,591 B2 * 1/2020 Kim A45D 42/16
D874,162 S * 2/2020 Greenwait D6/310

D878,776 S * 3/2020 Liu D6/309
D879,481 S * 3/2020 Yang D6/309
D882,280 S * 4/2020 Yang D6/309
10,652,447 B1 * 5/2020 Pestl F21V 33/004
D885,769 S * 6/2020 Wang D6/309
2010/0118520 A1 * 5/2010 Stern A45D 42/10
362/135
2013/0235610 A1 * 9/2013 Yang F21V 33/004
362/555
2018/0172265 A1 6/2018 Yang
2018/0263362 A1 * 9/2018 Yang A47G 1/04
2019/0003699 A1 * 1/2019 Mondora A45D 42/10

OTHER PUBLICATIONS

simplehuman.com. Sensor Mirror Round. Undated online product page. Retrieved on Sep. 22, 2020 from <<https://www.simplehuman.com/products/sensor-mirror-round-touch-control-brightness>> (Year: 2020).*

Blackstone International, Ltd., 2018 HomeStar Natural Daylight Vanity Mirror, <https://www.blackstoneinternational.ltd/store/p8/2018_HomeStar_Natural_Daylight_Vanity_Mirror.html>, 2018.

* cited by examiner

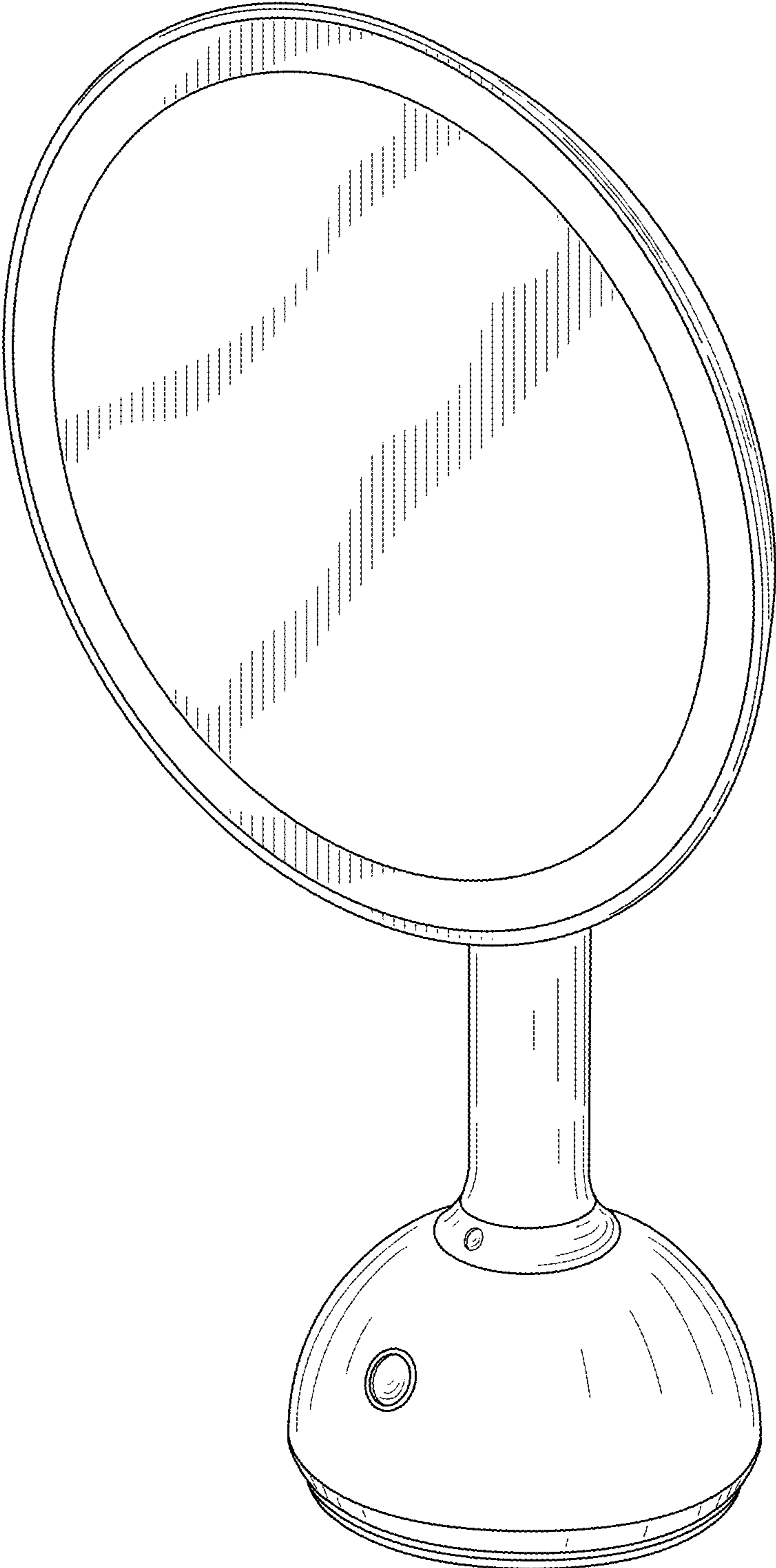


FIG. 1

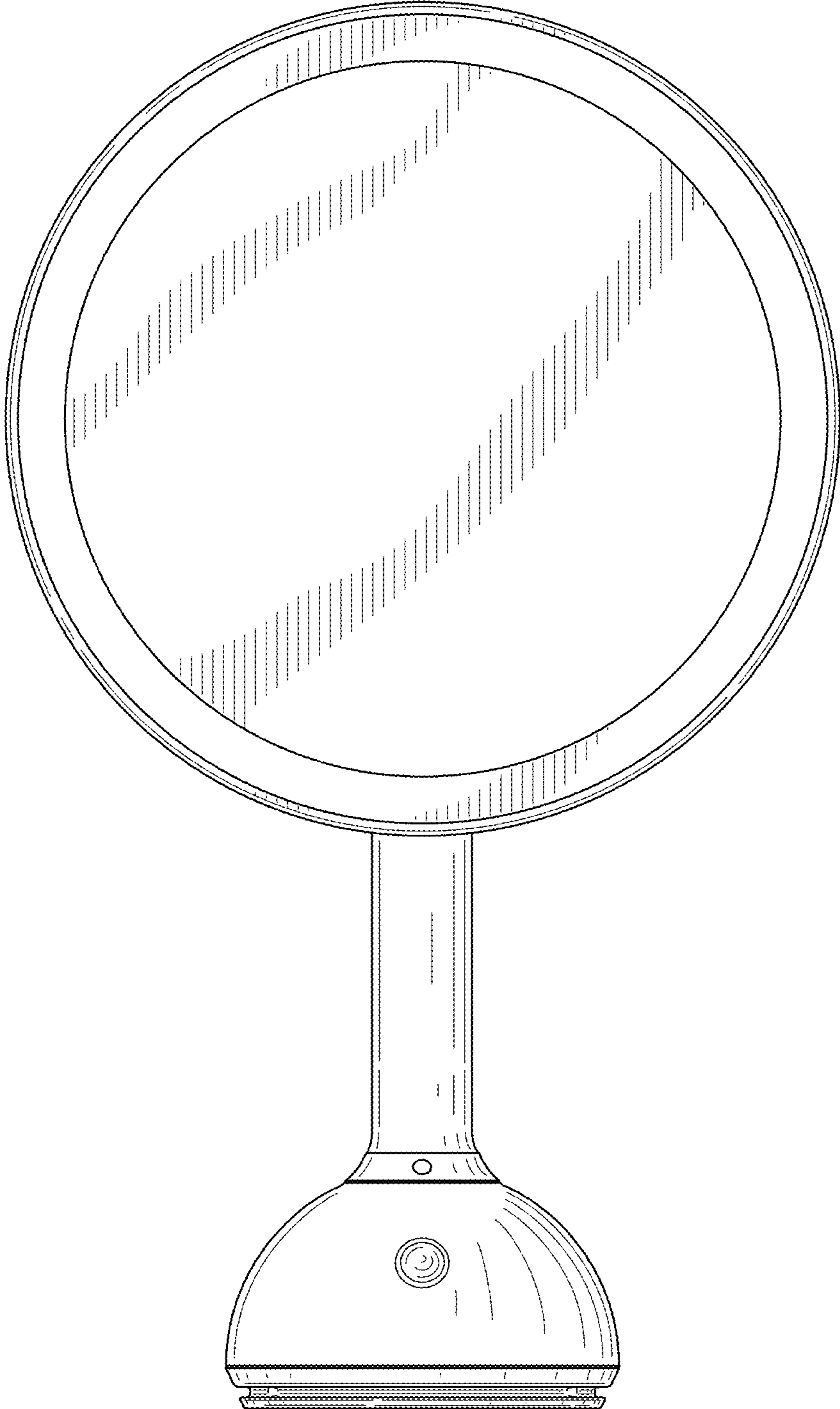


FIG. 2

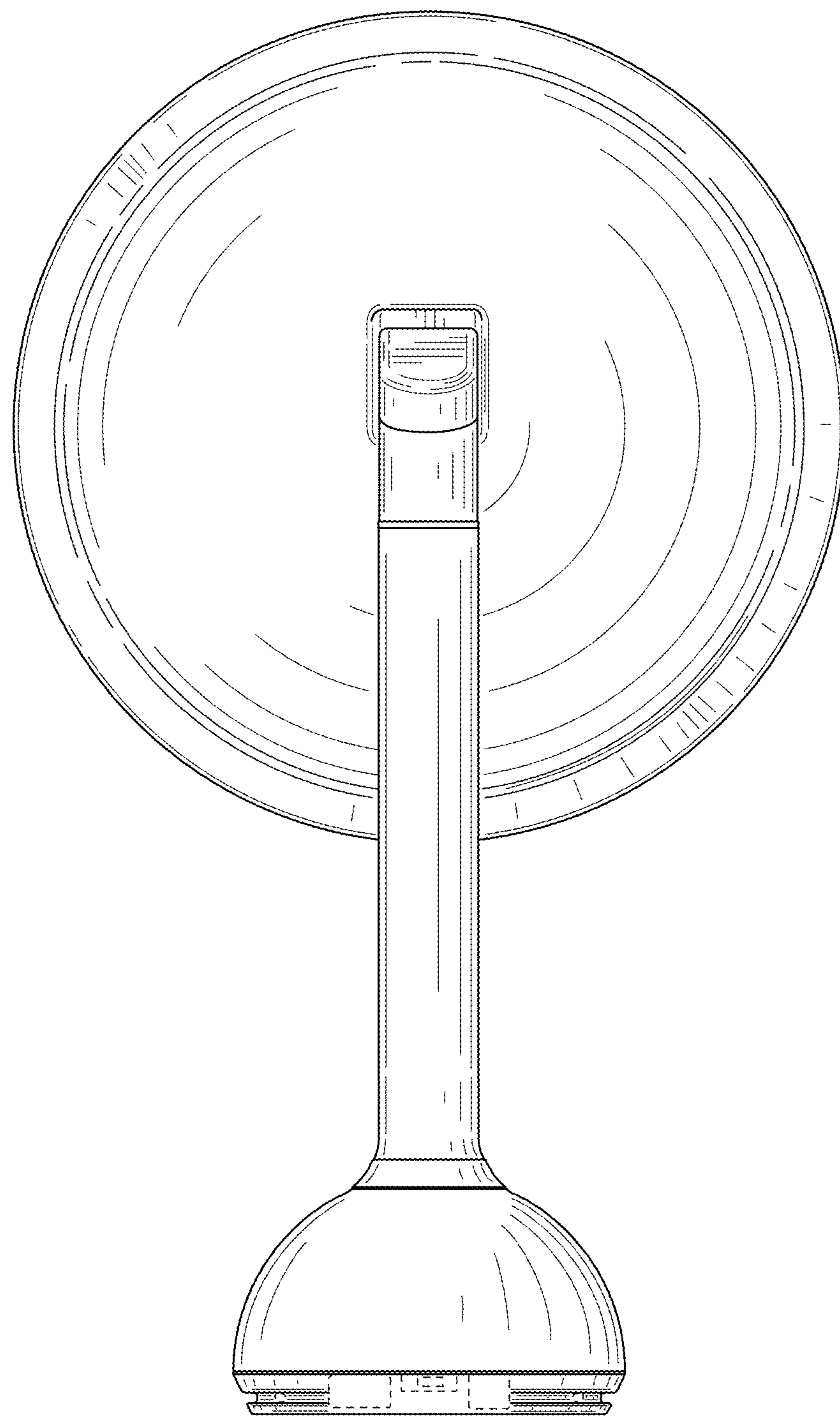


FIG. 3

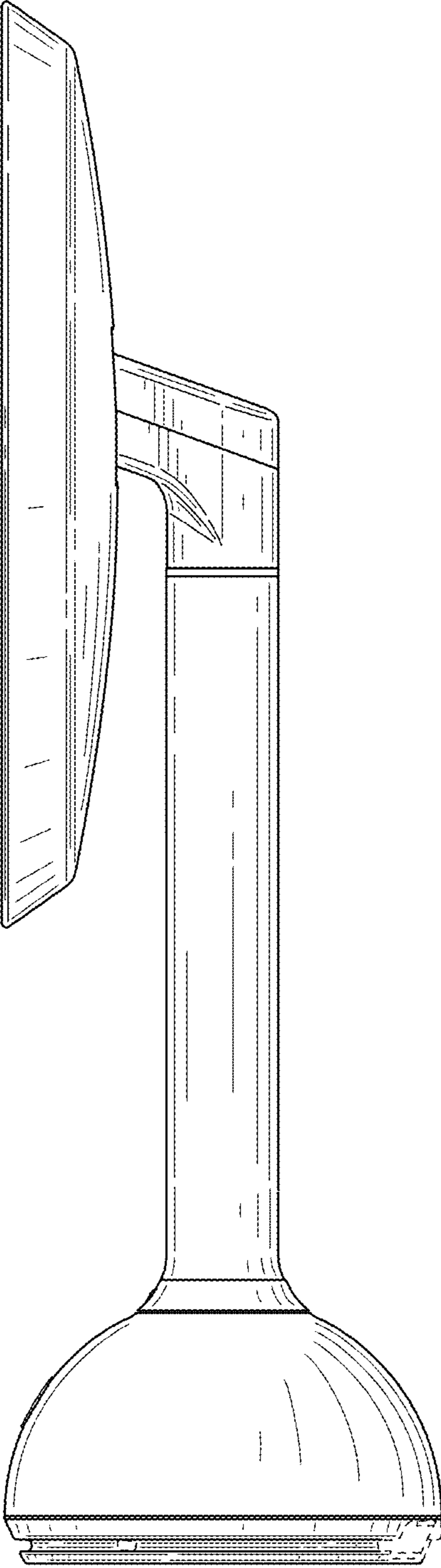


FIG. 4

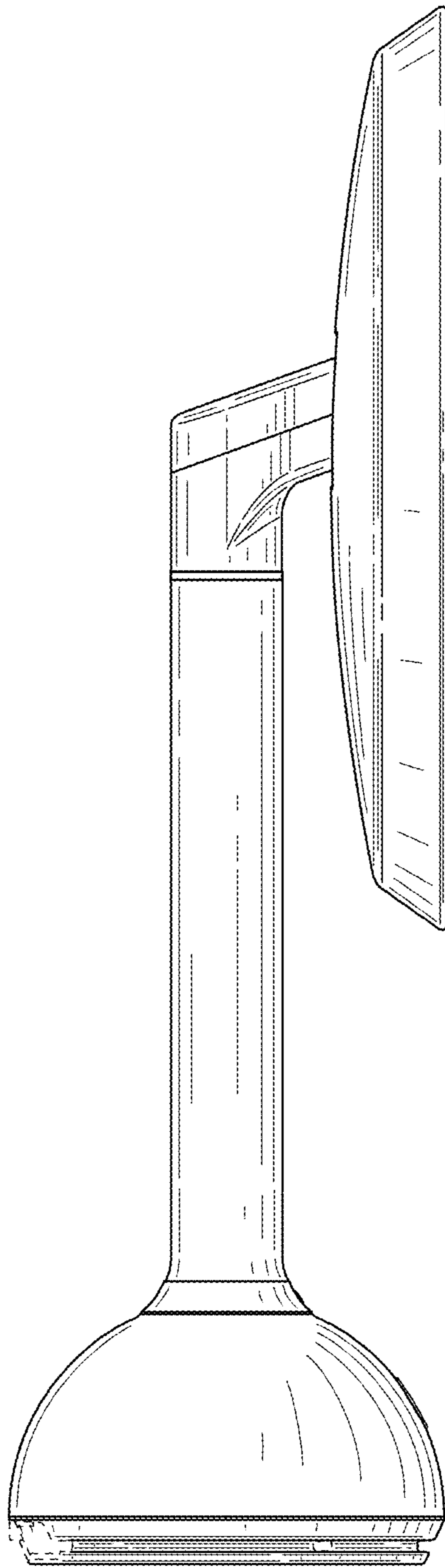


FIG. 5

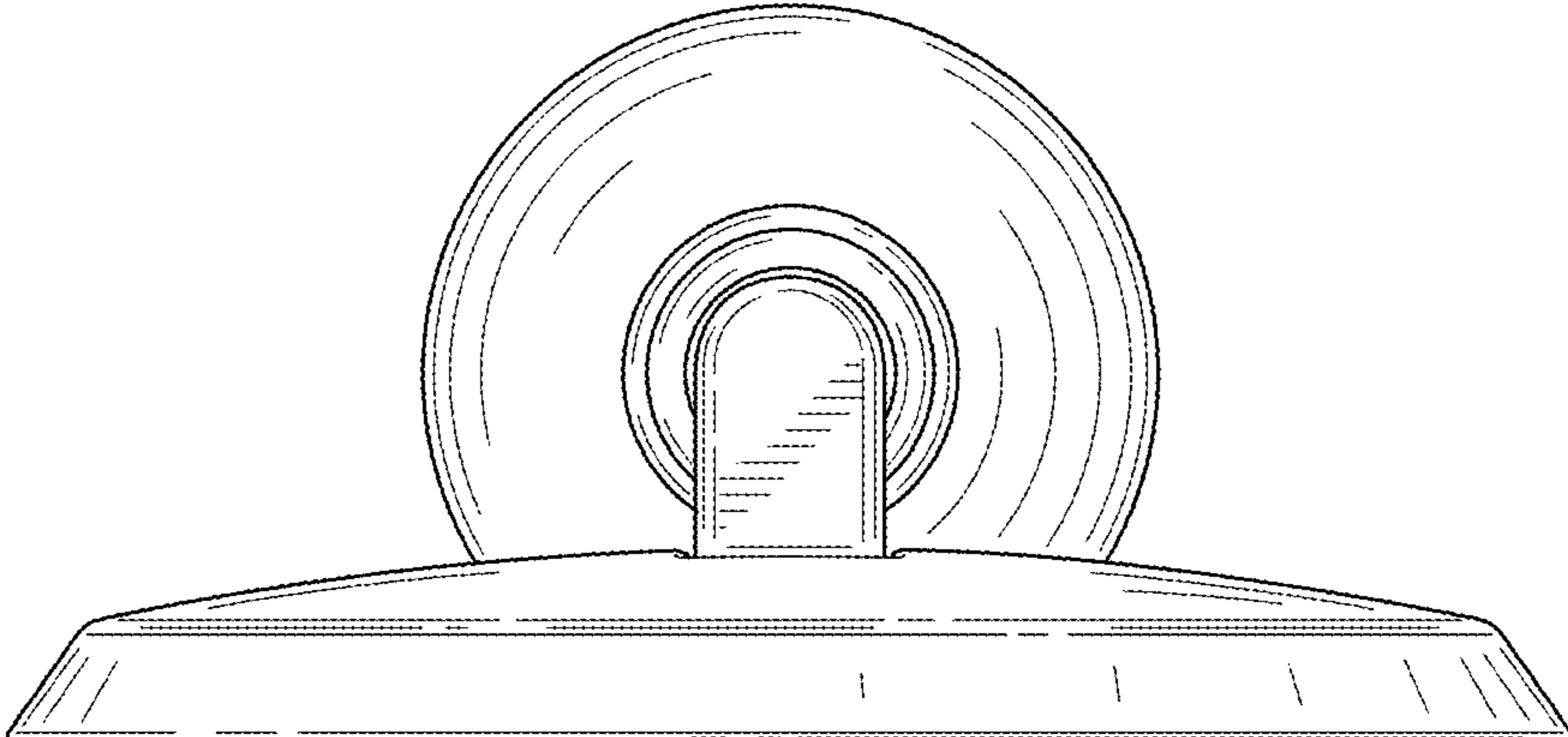


FIG. 6

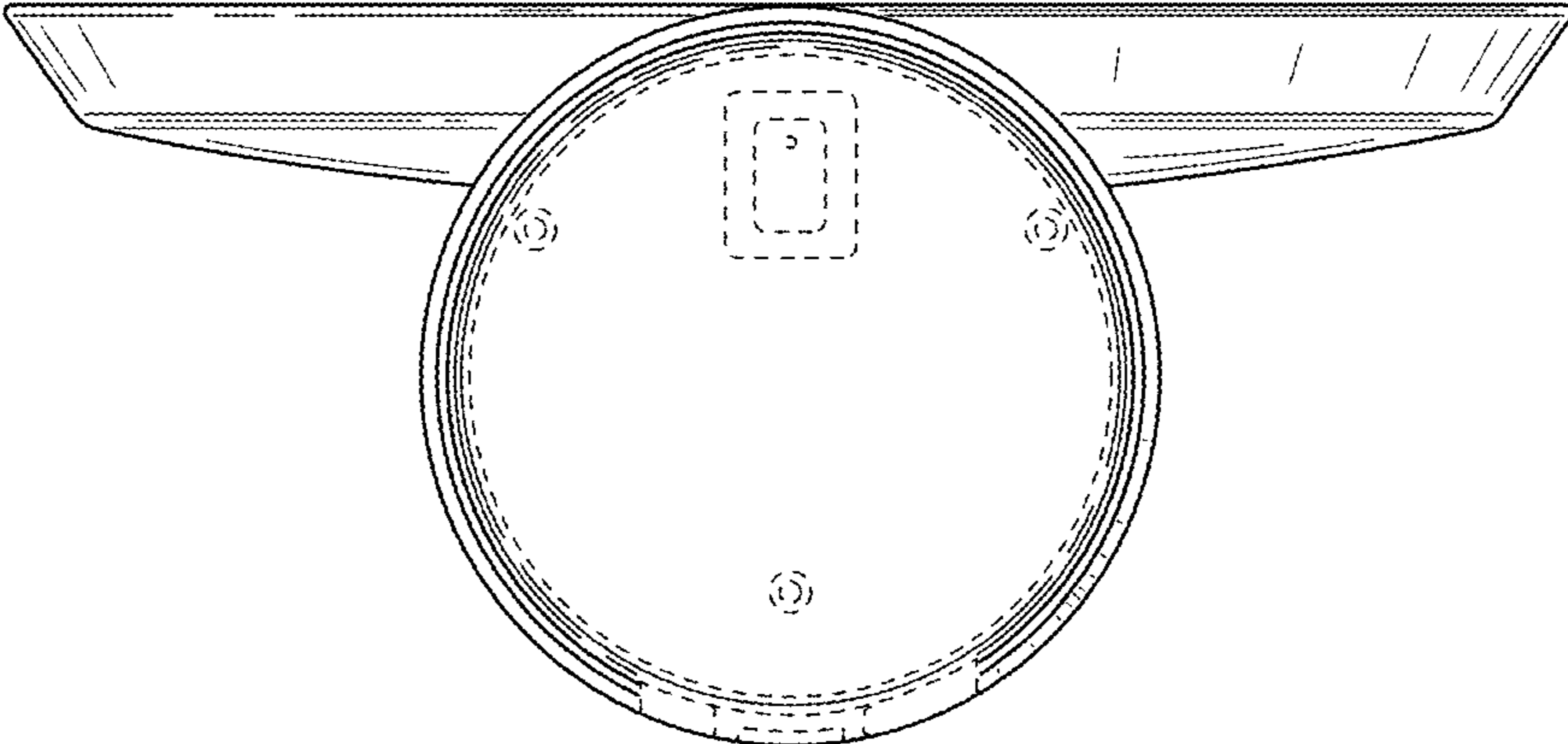


FIG. 7