



US00D924454S

(12) **United States Design Patent**  
**Xiong**

(10) **Patent No.:** **US D924,454 S**

(45) **Date of Patent:** **\*\* Jul. 6, 2021**

(54) **LED RING LIGHT WITH TRIPOD STAND**

*Primary Examiner* — Michelle E. Wilson

(71) Applicant: **SHENZHEN MAITEWEI INVESTMENT AND DEVELOPMENT CO., LTD.**,  
Shenzhen (CN)

(57) **CLAIM**

The ornamental design for an LED ring light with tripod stand, as shown and described.

(72) Inventor: **Lan Xiong**, Pingxiang (CN)

**DESCRIPTION**

(73) Assignee: **SHENZHEN MAITEWEI INVESTMENT AND DEVELOPMENT CO., LTD.**,  
Shenzhen (CN)

FIG. 1 is a perspective view of a first component of an LED ring light with tripod stand showing my new design;  
FIG. 2 is another perspective view thereof;  
FIG. 3 is a front elevational view thereof;  
FIG. 4 is a rear elevational view thereof;  
FIG. 5 is a left side elevational view thereof;  
FIG. 6 is a right side elevational view thereof;  
FIG. 7 is a top plan view thereof;  
FIG. 8 is a bottom plan view thereof;  
FIG. 9 is an enlarged view of portion 9 shown in FIG. 1;  
FIG. 10 is an enlarged view of portion 10 shown in FIG. 2;  
FIG. 11 is a perspective view of a second component of the LED ring light with tripod stand showing my new design;  
FIG. 12 is another perspective view thereof;  
FIG. 13 is a front elevational view thereof;  
FIG. 14 is a rear elevational view thereof;  
FIG. 15 is a left side elevational view thereof;  
FIG. 16 is a right side elevational view thereof;  
FIG. 17 is a top plan view thereof;  
FIG. 18 is a bottom plan view thereof;  
FIG. 19 is an enlarged view of portion 19 shown in FIG. 12;  
FIG. 20 is a perspective view of a third component of the LED ring light with tripod stand showing my new design;  
FIG. 21 is another perspective view thereof;  
FIG. 22 is a front elevational view thereof;  
FIG. 23 is a rear elevational view thereof;  
FIG. 24 is a left side elevational view thereof;  
FIG. 25 is a right side elevational view thereof;  
FIG. 26 is a top plan view thereof;  
FIG. 27 is a bottom plan view thereof;  
FIG. 28 is a perspective view of the tripod stand where the tripod stand is in a folded state;  
FIG. 29 is a perspective view of the LED ring light with tripod stand where the LED ring light with tripod stand is in a configuration;

(\*\*) Term: **15 Years**

(21) Appl. No.: **29/730,039**

(22) Filed: **Mar. 31, 2020**

(51) **LOC (13) Cl.** ..... **26-05**

(52) **U.S. Cl.**  
USPC ..... **D26/51**

(58) **Field of Classification Search**  
USPC ..... D26/37-51, 61, 93, 113, 106; D16/237,  
D16/239, 244; D14/255

(Continued)

(56) **References Cited**

**U.S. PATENT DOCUMENTS**

D342,801 S \* 12/1993 Poon ..... D26/45  
D397,234 S \* 8/1998 Huang ..... D26/63

(Continued)

**OTHER PUBLICATIONS**

VillSure 10" Selfie Ring Light with Tripod Stand,[online], [site visited Jul. 10, 2020]. Available from Internet, <[https://www.amazon.com/VillSure-Android-Ringlight-Photography-YouTube/dp/B081N9RD85/ref=sr\\_1\\_8?dchild=1&keywords=selfie+tripod+light+with+remote&qid=1594415035&sr=8-8](https://www.amazon.com/VillSure-Android-Ringlight-Photography-YouTube/dp/B081N9RD85/ref=sr_1_8?dchild=1&keywords=selfie+tripod+light+with+remote&qid=1594415035&sr=8-8)>, 10 pages (Year: 2019).\*

(Continued)

(Continued)

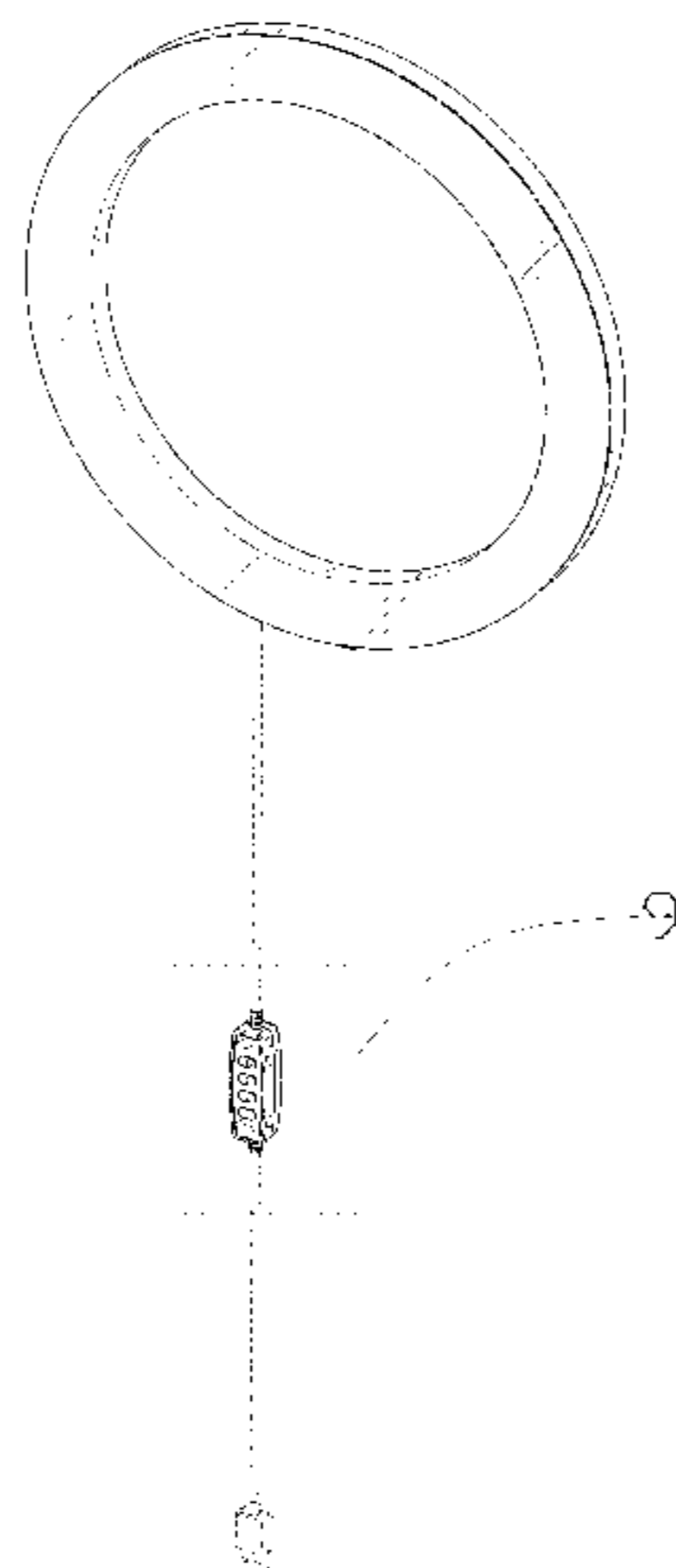


FIG. 30 is an enlarged view of portion 30 shown in FIG. 20; and, FIG. 31 is an enlarged view of portion 31 shown in FIG. 20. The broken lines in the drawings depict boundaries of the LED ring light with tripod stand that form no part of the claimed design.

**1 Claim, 31 Drawing Sheets**

(58) **Field of Classification Search**

CPC ..... F21L 2003/00; F21L 4/00; F21L 4/005; F21L 4/02; F21L 4/025; F21L 4/027; F21L 4/04; F21L 4/08; F21L 2005/00; F21L 7/00; F21L 11/00; F21L 13/00; F21L 13/04; F21L 13/08; F21L 14/02; F21L 17/00; F21L 19/00; F21L 25/00

See application file for complete search history.

(56) **References Cited**

U.S. PATENT DOCUMENTS

D505,219	S	*	5/2005	Jacquelin	.....	D26/51
D509,618	S	*	9/2005	Baarman	.....	D26/106
D597,238	S	*	7/2009	Lu	.....	D16/135
D619,287	S	*	7/2010	Liu	.....	D26/62
D623,331	S	*	9/2010	Rotwitt	.....	D26/63
D636,513	S	*	4/2011	Furtsch	.....	D26/51
D675,366	S	*	1/2013	Alessandro	.....	D26/107
D773,105	S	*	11/2016	Feit	.....	D26/106
D827,180	S	*	8/2018	Mou	.....	D26/72

D835,317	S	*	12/2018	Edgar	.....	D26/51
D853,613	S	*	7/2019	Lien	.....	D26/63
D854,227	S	*	7/2019	Yu	.....	D26/106
D854,605	S	*	7/2019	Fook	.....	D16/244
D855,242	S	*	7/2019	Chen	.....	D26/106
D855,871	S	*	8/2019	Ma	.....	D26/107
D860,485	S	*	9/2019	Yu	.....	D26/24
D860,495	S	*	9/2019	Waldmann	.....	D26/65
D868,139	S	*	11/2019	Zhou	.....	D16/239
D869,719	S	*	12/2019	Liu	.....	D26/61
D872,348	S	*	1/2020	Liu	.....	D26/106
D873,328	S	*	1/2020	Shen	.....	D16/239
D877,392	S	*	3/2020	Yu	.....	D26/79
D880,048	S	*	3/2020	Zhu	.....	D26/106
D885,769	S	*	6/2020	Wang	.....	D6/309
D887,052	S	*	6/2020	Xu	.....	D26/39

OTHER PUBLICATIONS

“LimoStudio 8 Inch Selfie Mirror Ring Light with Portable Tripod for Camcorders and Cameras, 24W 5500K Dimmable LED Ring Light with Table Top Mirror Stand and Gooseneck, AGG2891”, Retrieved Mar. 31, 2020]. Retrieved from Internet, <https://www.amazon.com/LimoStudio-Portable-Camcorders-Dimmable-Gooseneck/dp/B07SG71VVR/>.

“4.6" LED Ring Light with Tripod Stand for YouTube Video &Live Streaming, Dimmable Desktop Makeup Ring Light for Photography, Shooting with 3 Light Modes & 10 Brightness Level Black”, Retrieved Mar. 31, 2020]. Retrieved from Internet, <https://www.amazon.com/Streaming-Dimmable-Photography-Shooting-Brightness/dp/B0855CT4C9/>.

\* cited by examiner

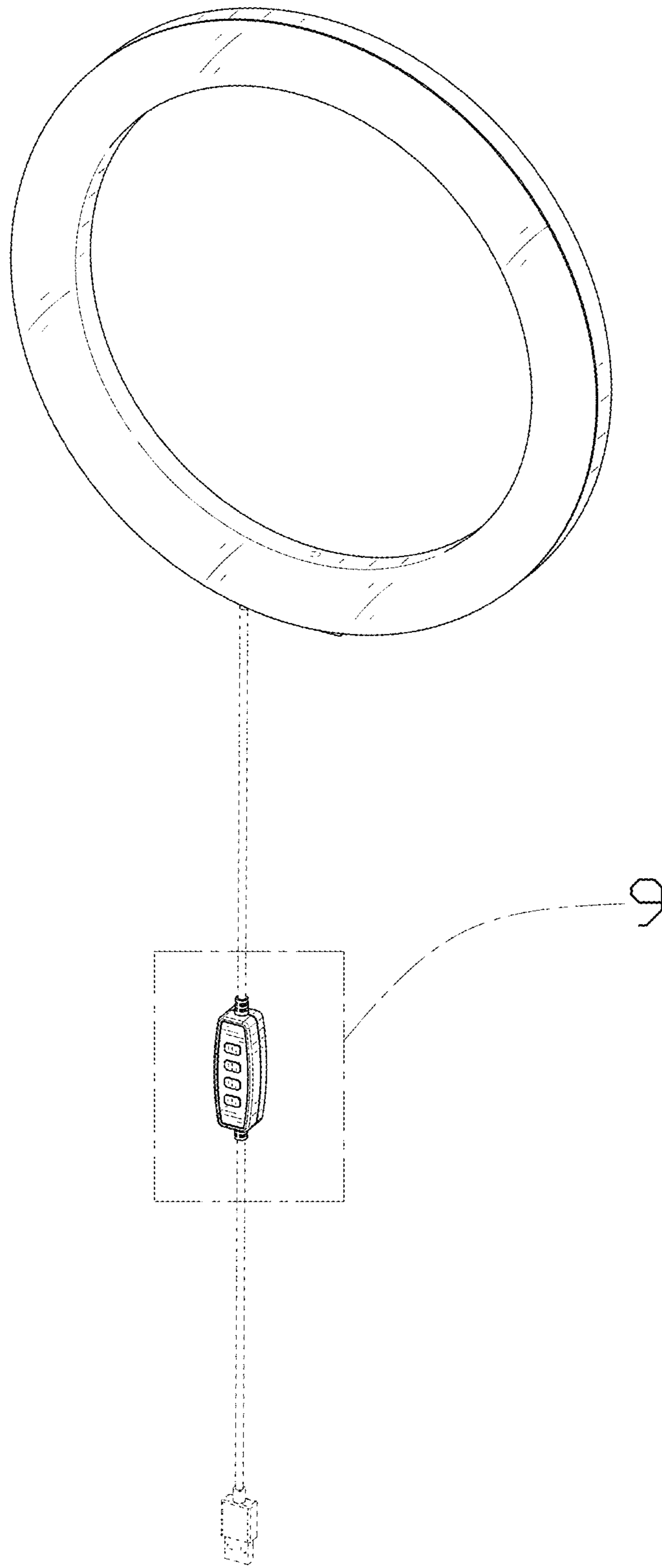


FIG. 1

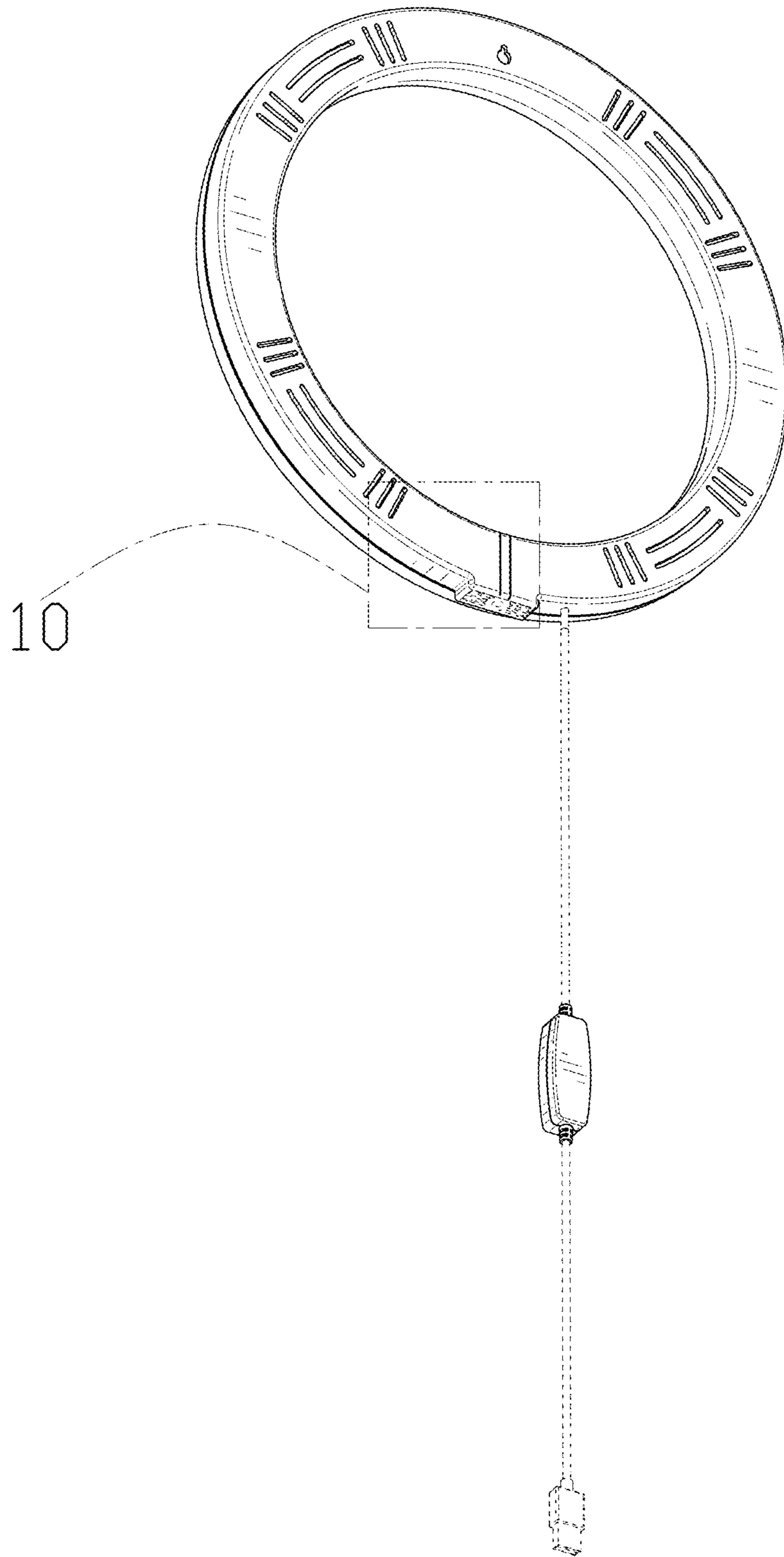


FIG. 2

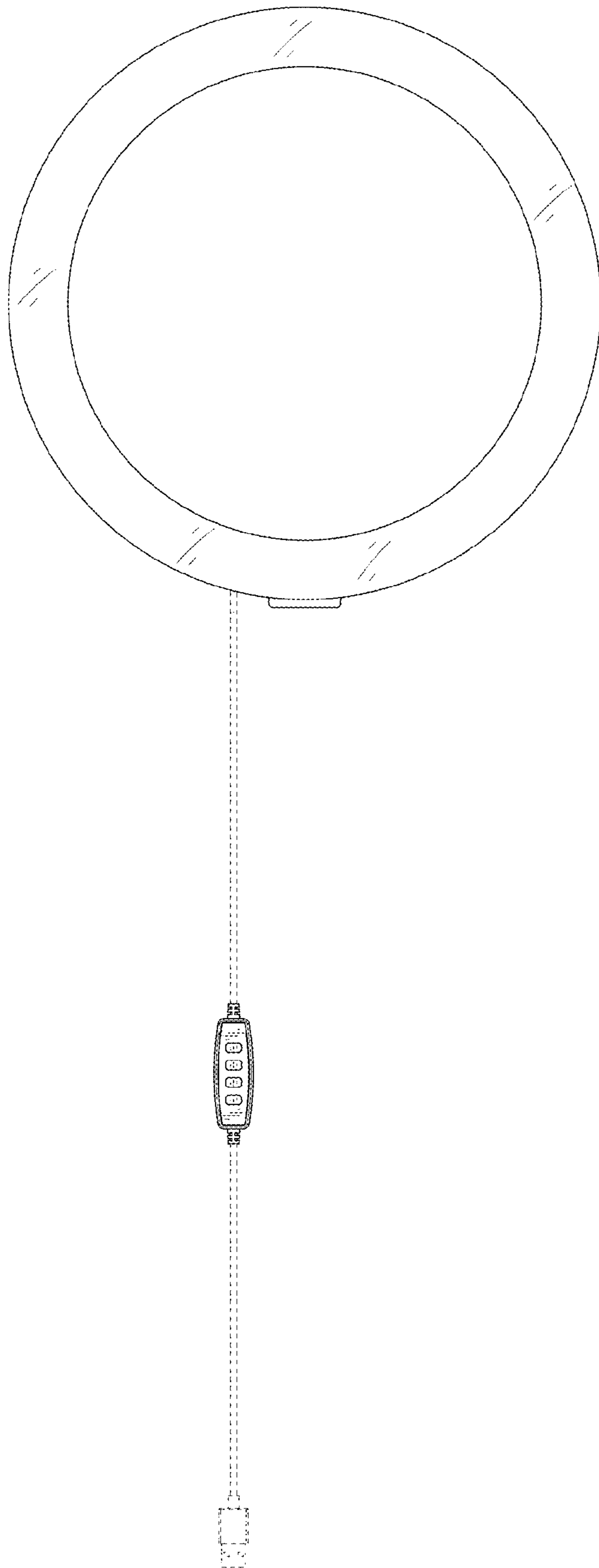


FIG. 3

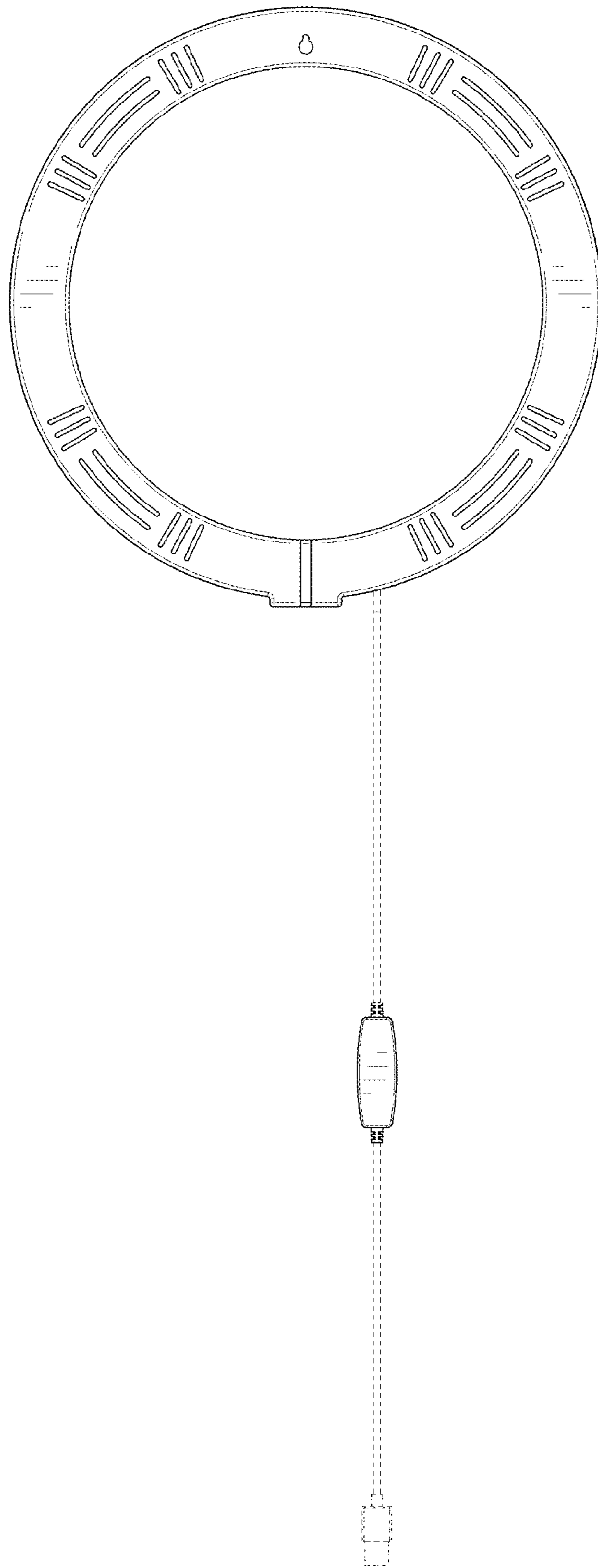


FIG. 4

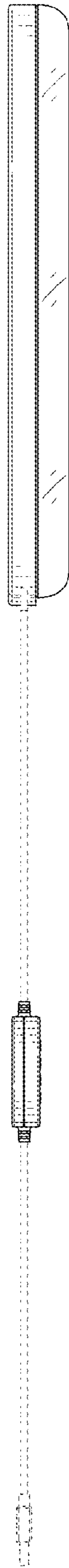


FIG. 5

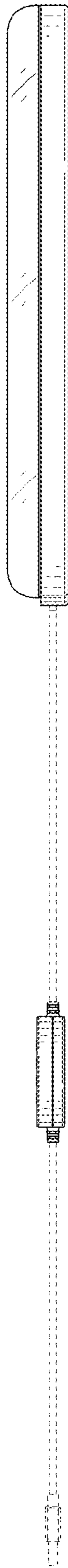


FIG. 6



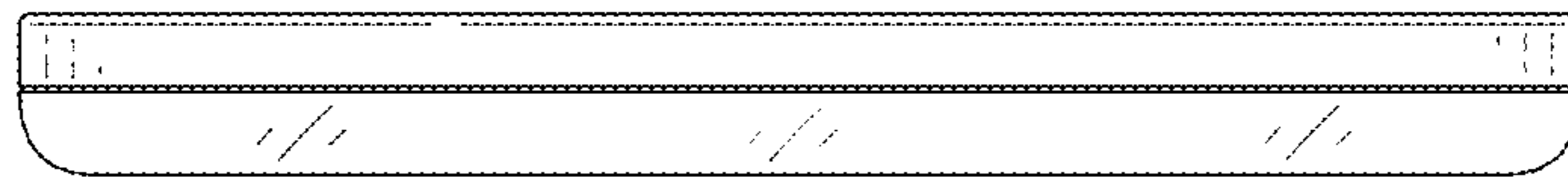


FIG. 7

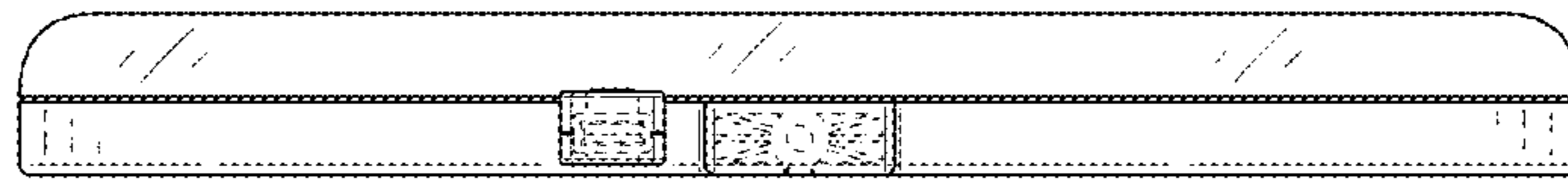


FIG. 8

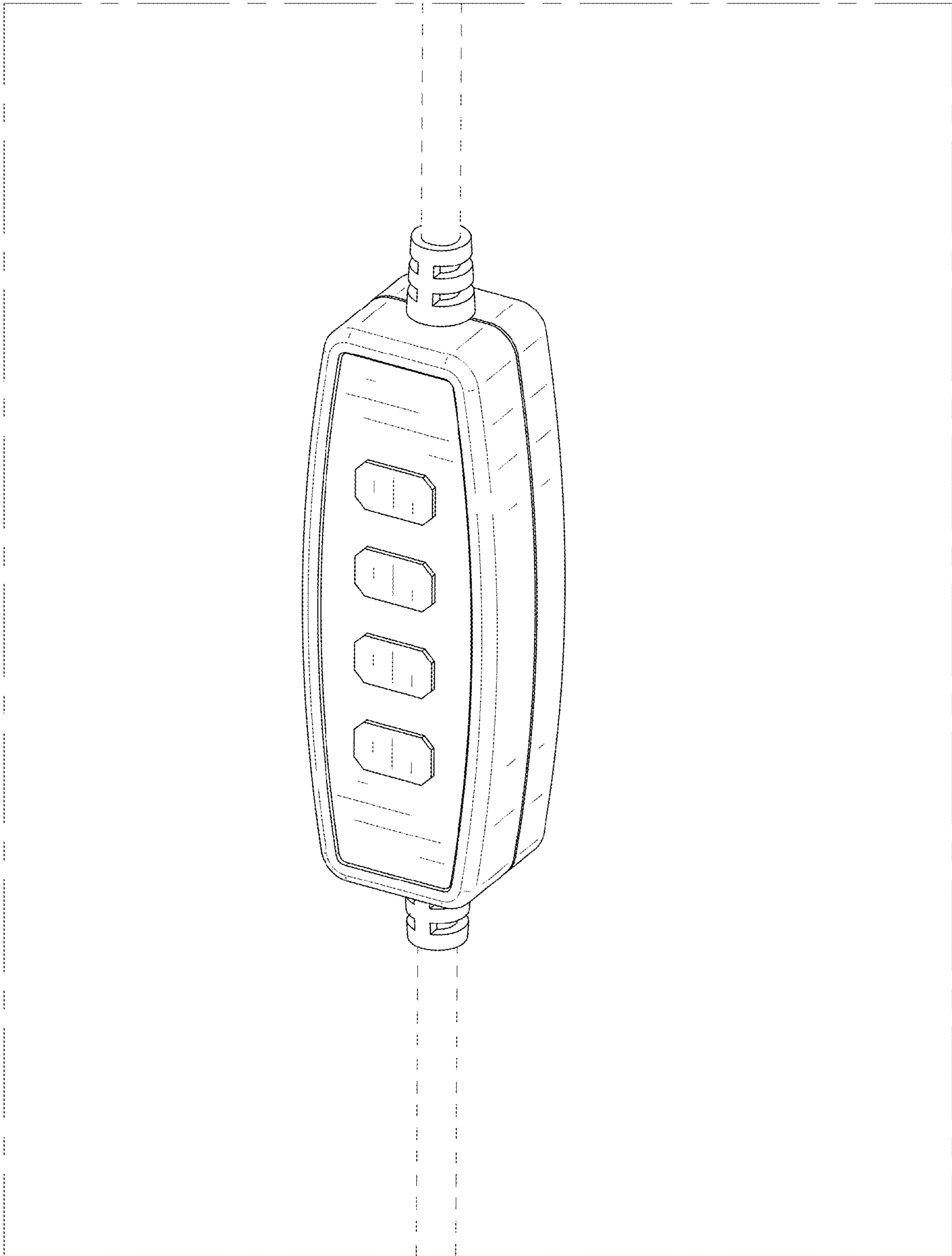


FIG. 9

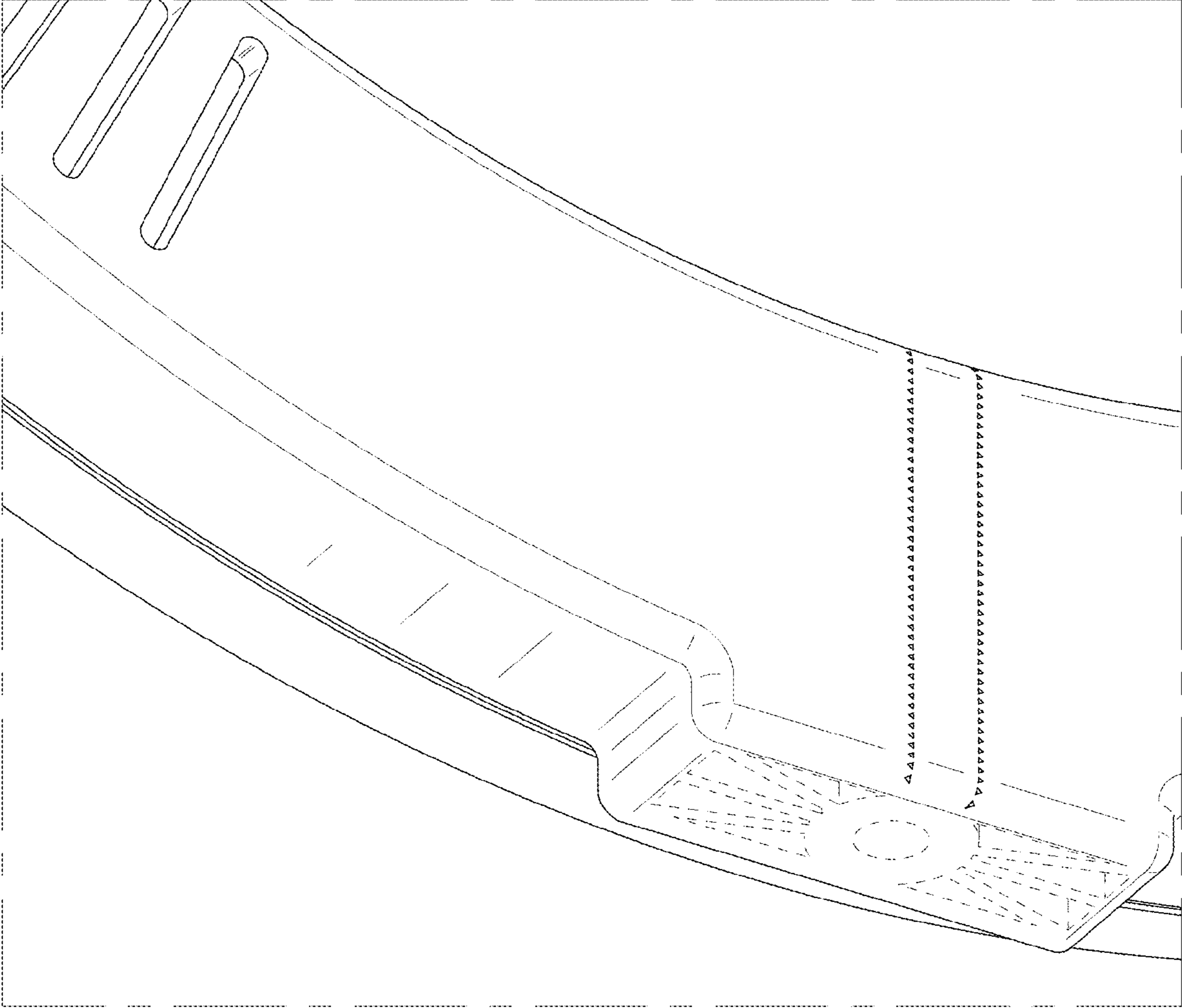


FIG. 10

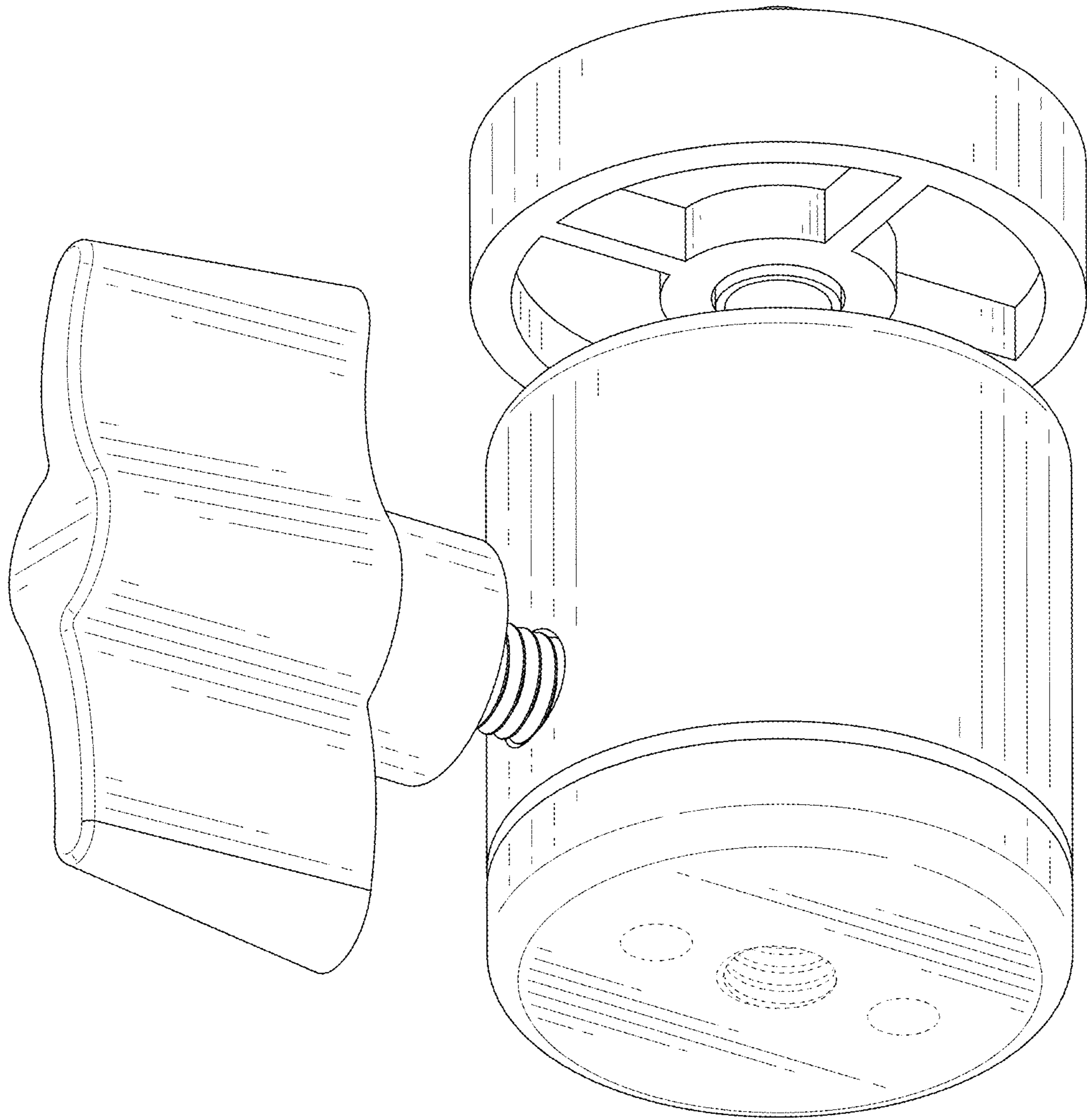


FIG. 11

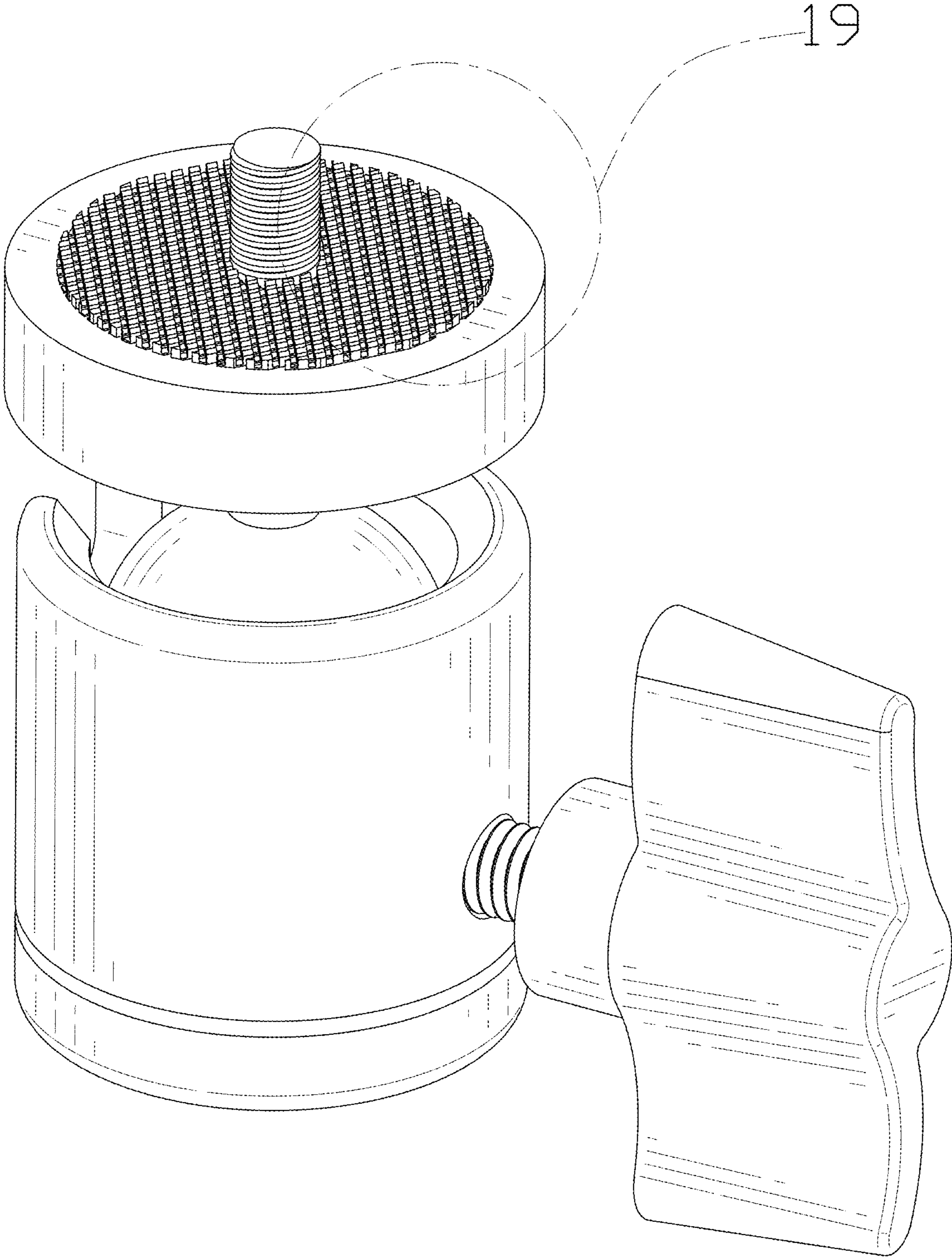


FIG. 12

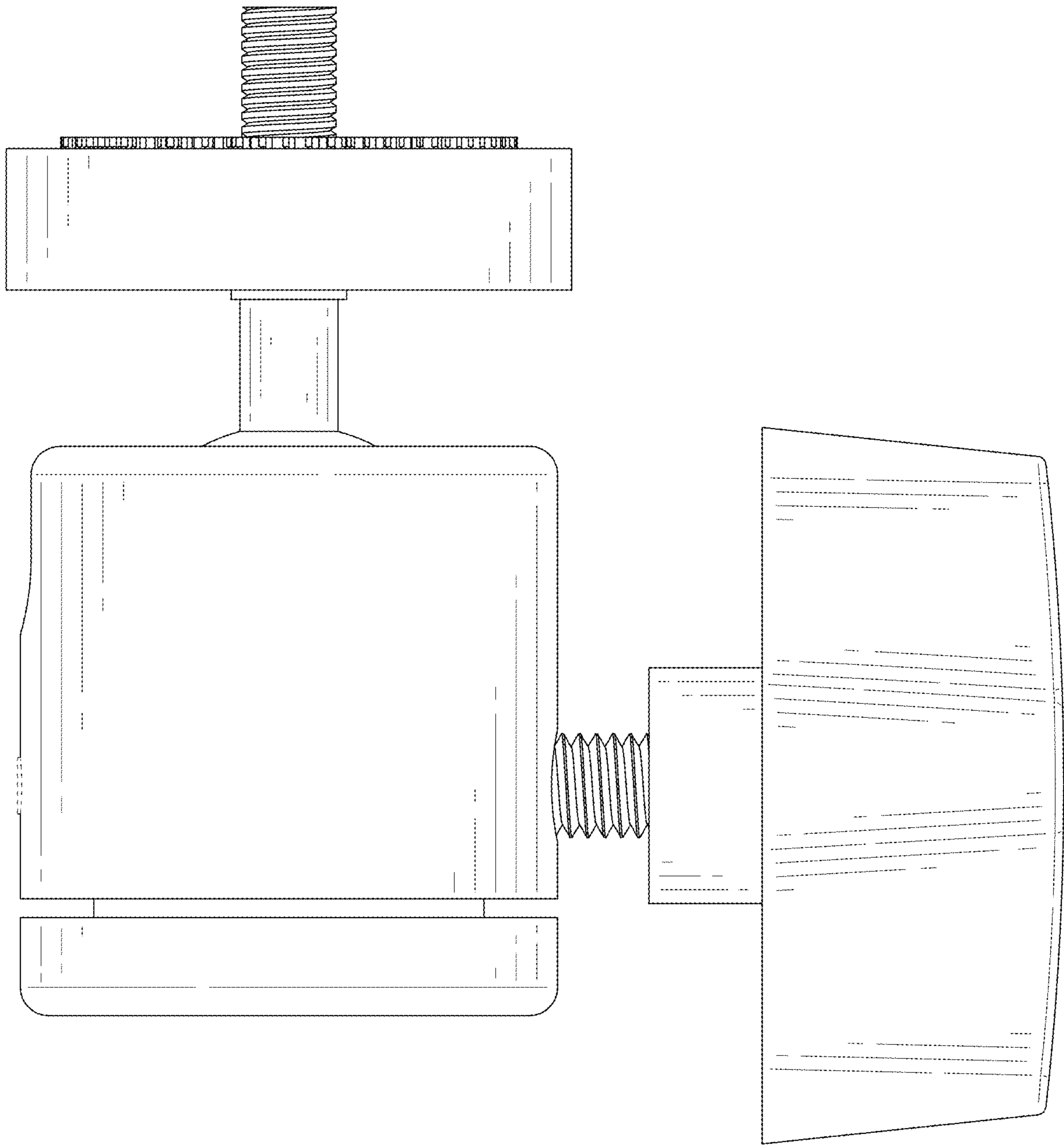


FIG. 13

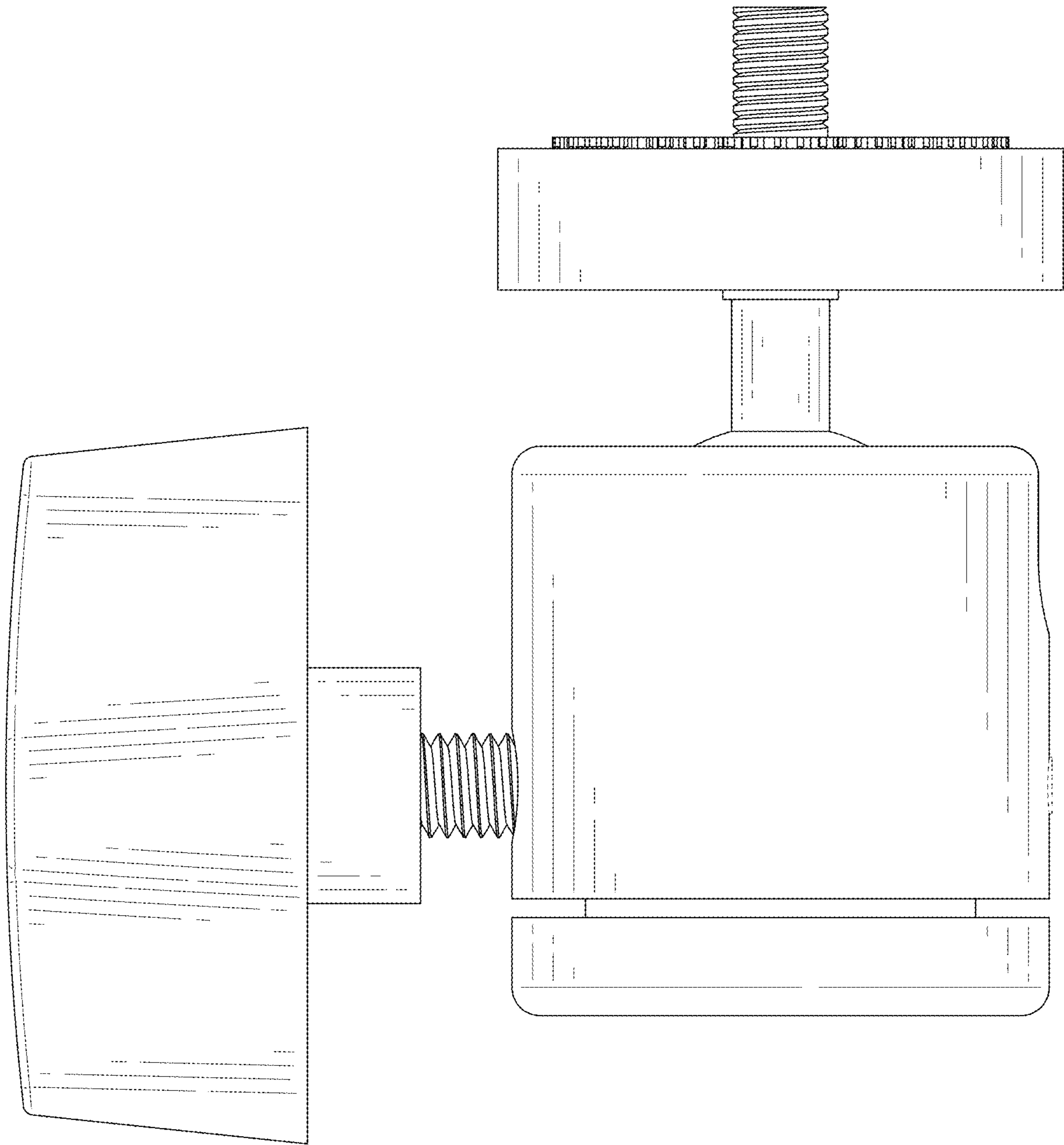


FIG. 14



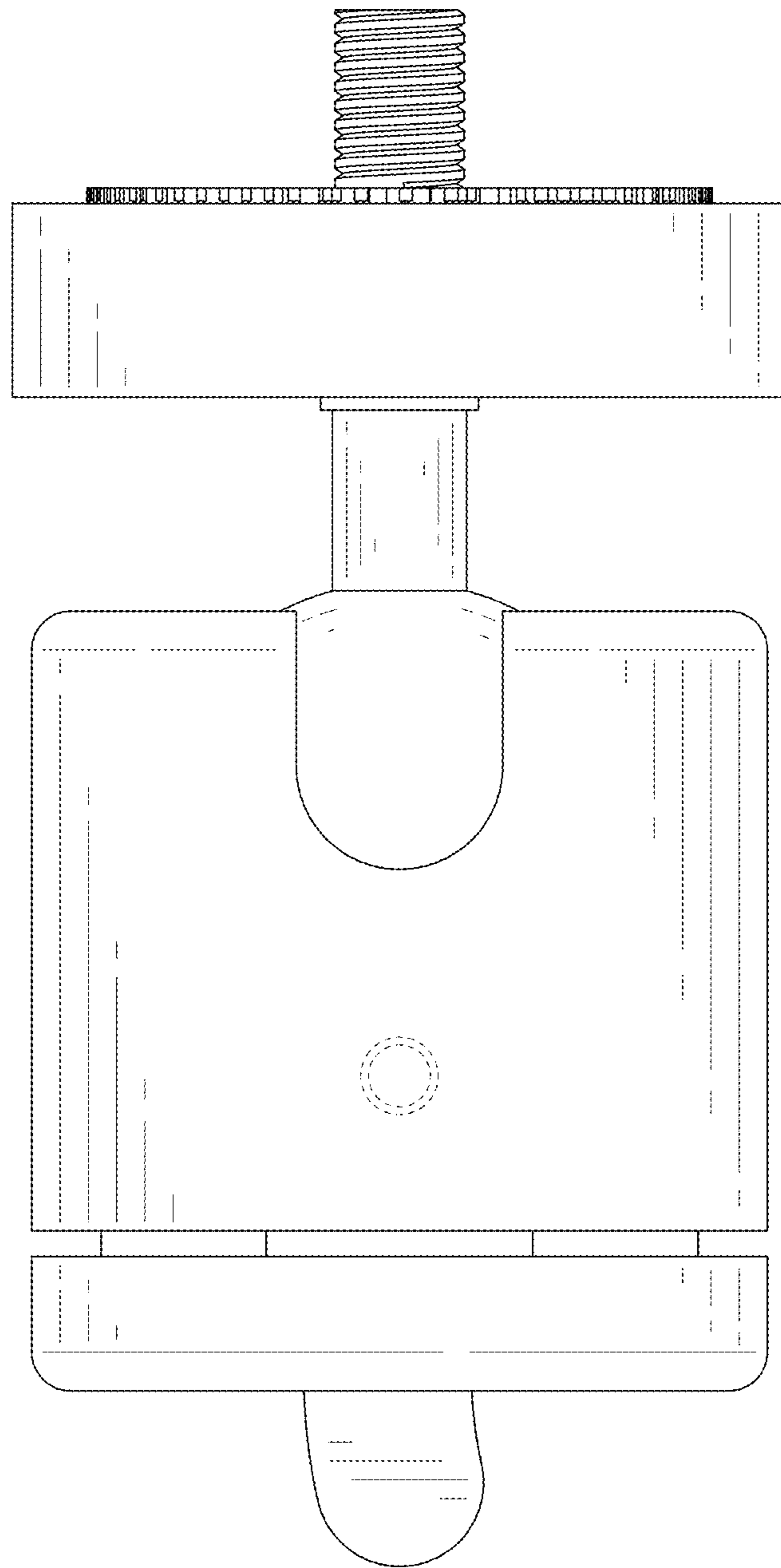


FIG. 15

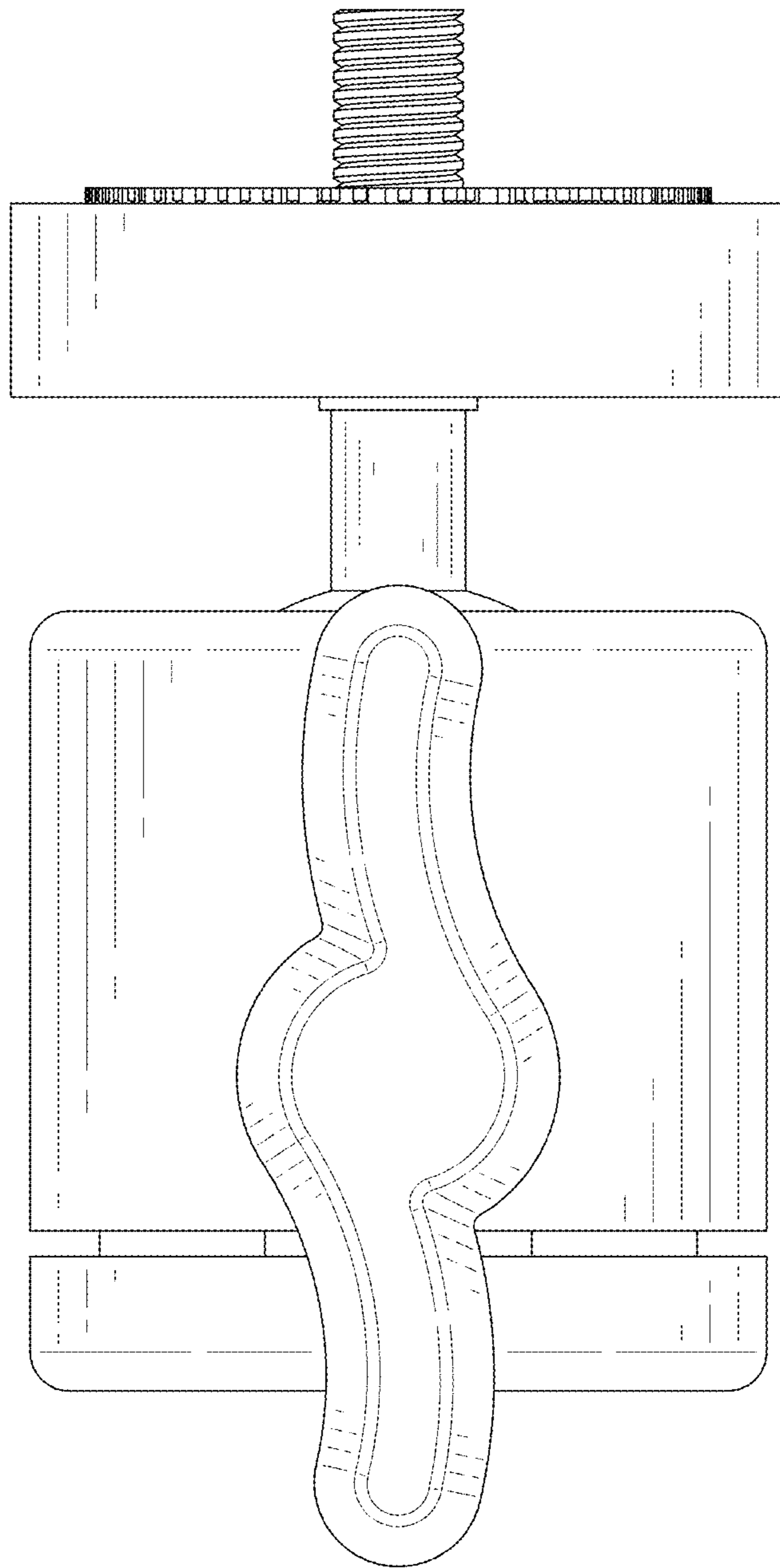


FIG. 16

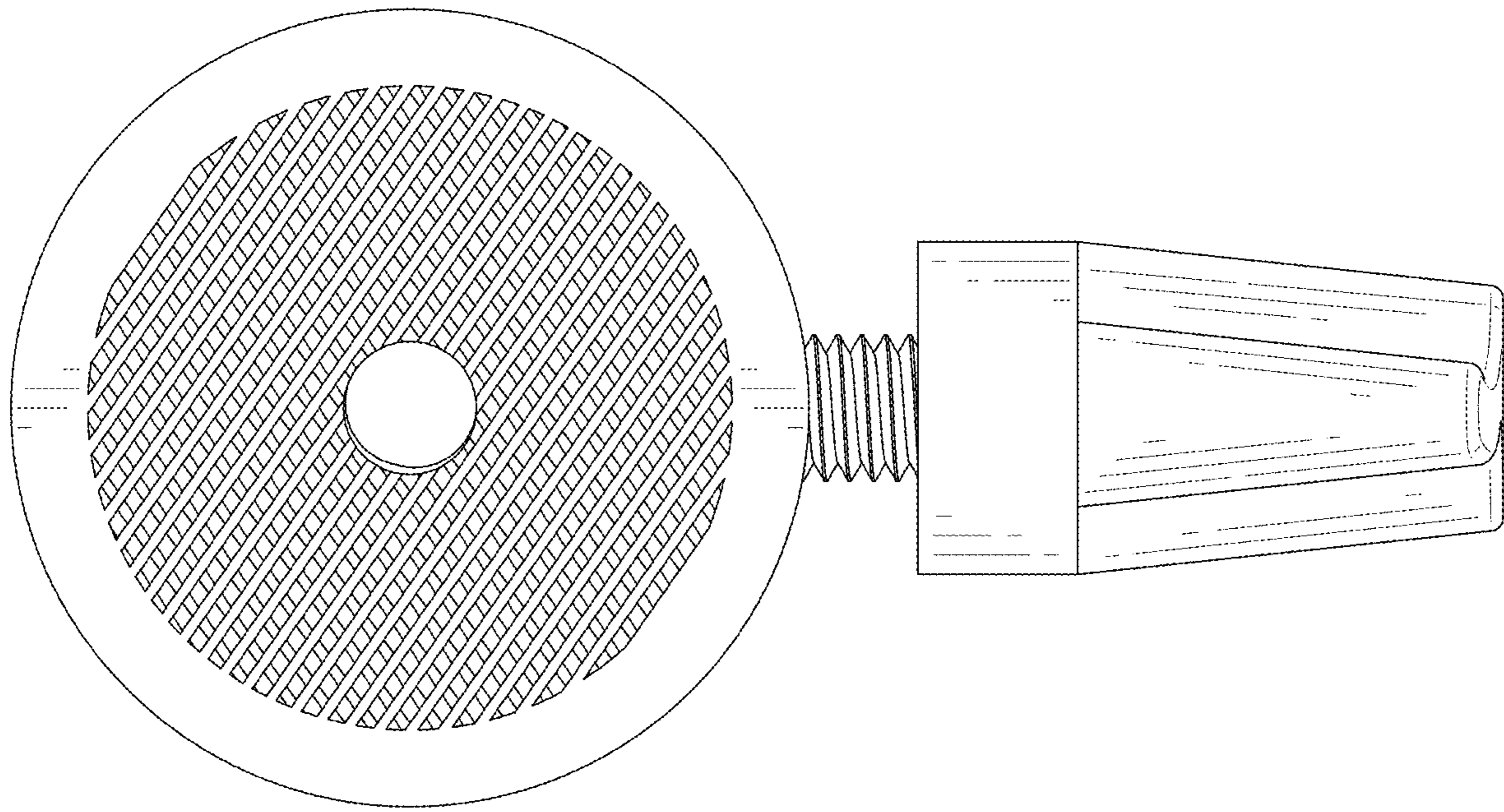


FIG. 17

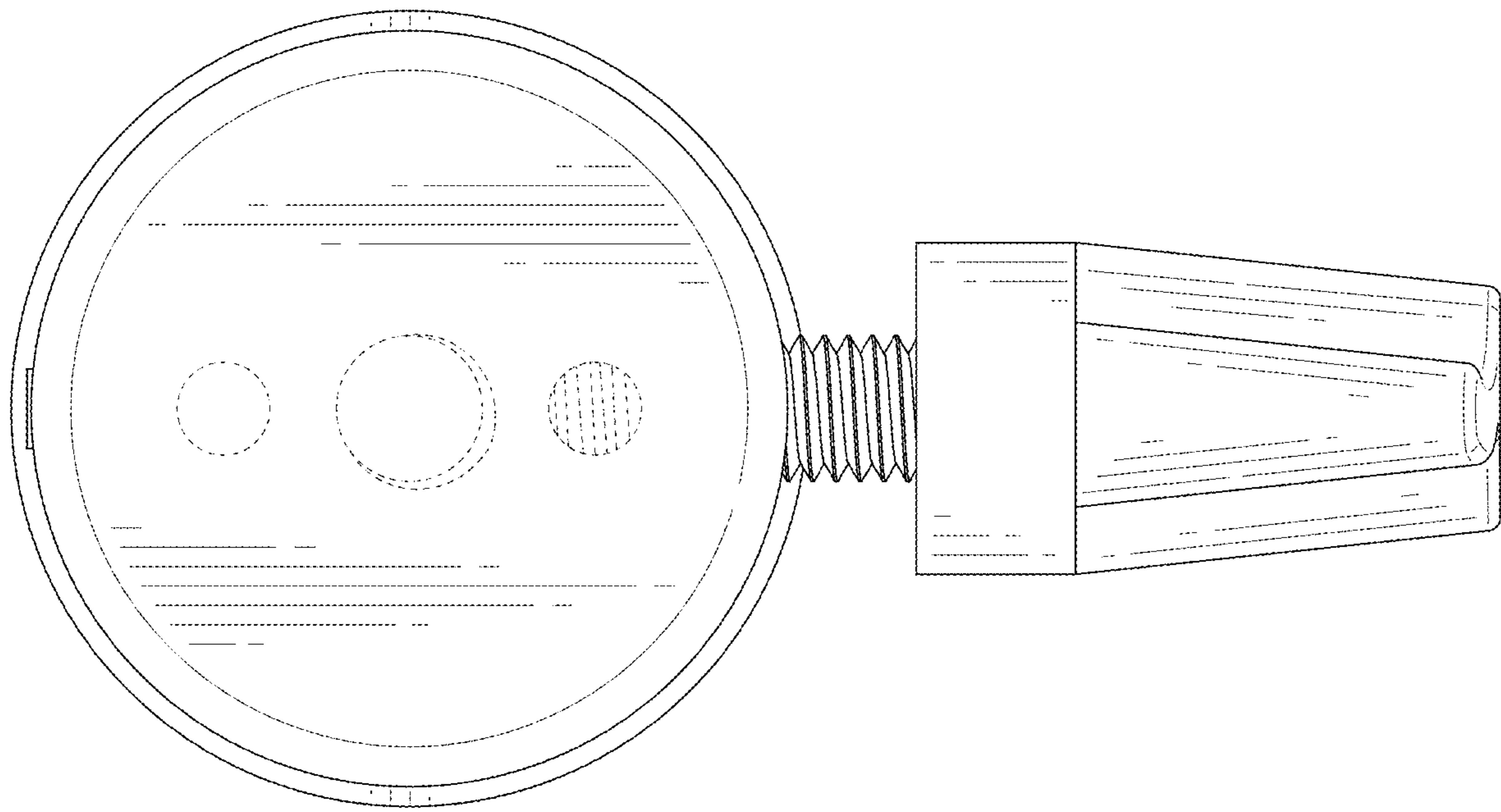


FIG. 18

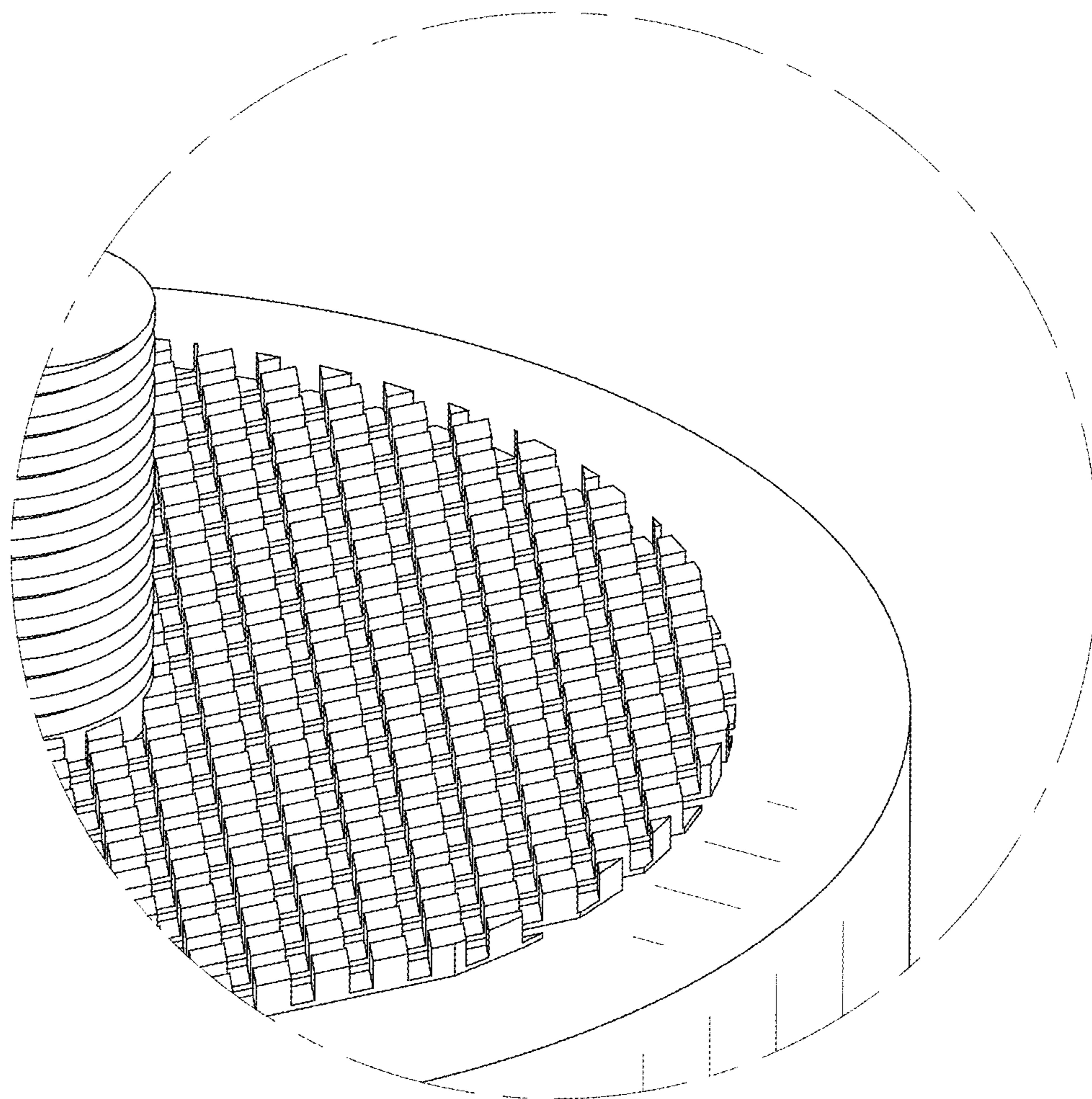


FIG. 19

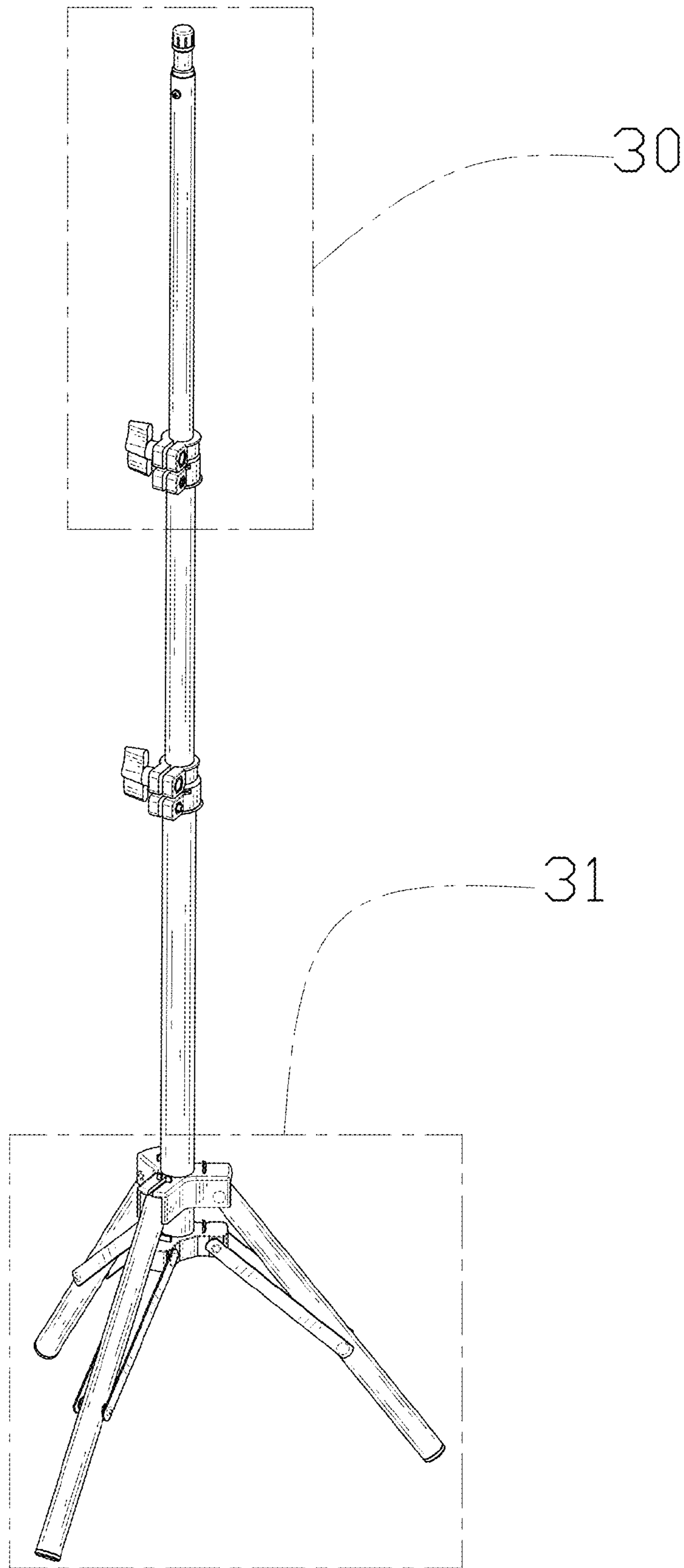


FIG. 20

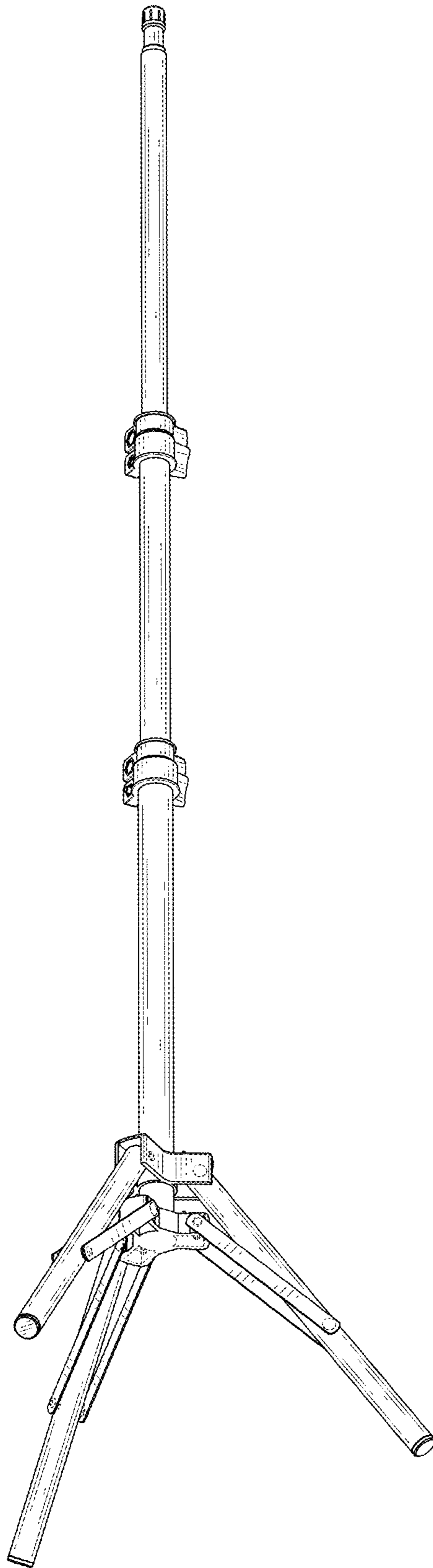


FIG. 21

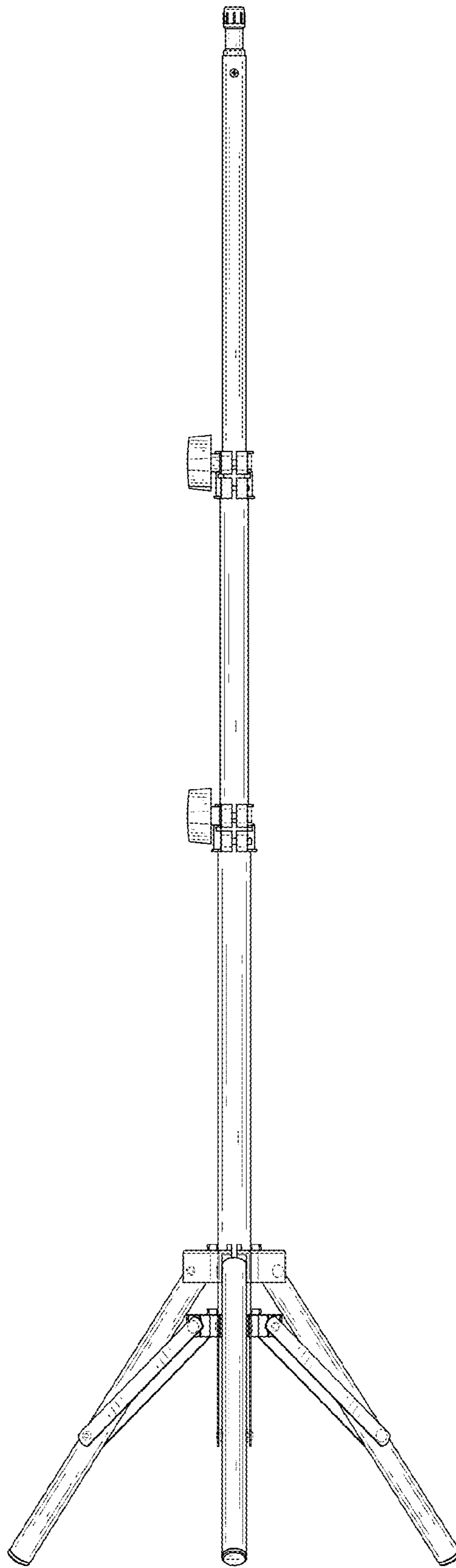


FIG. 22



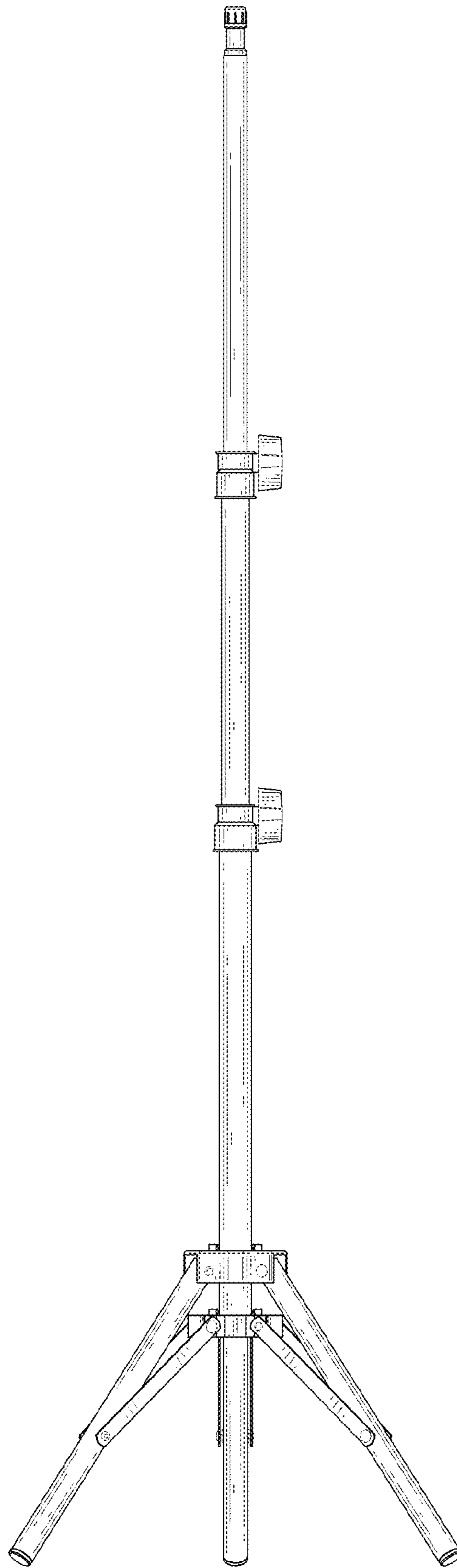


FIG. 23

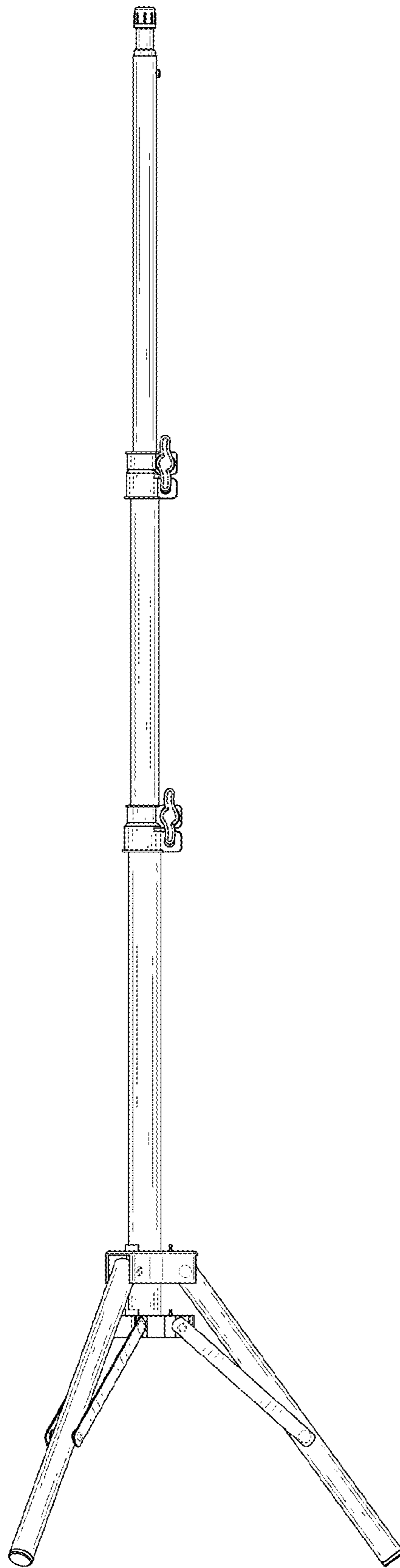


FIG. 24

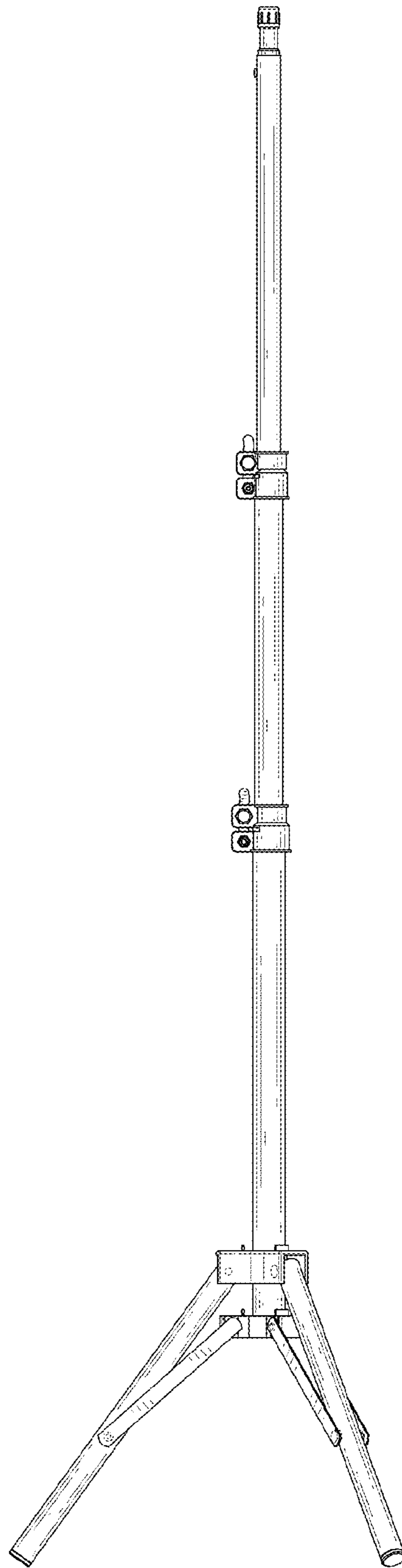


FIG. 25

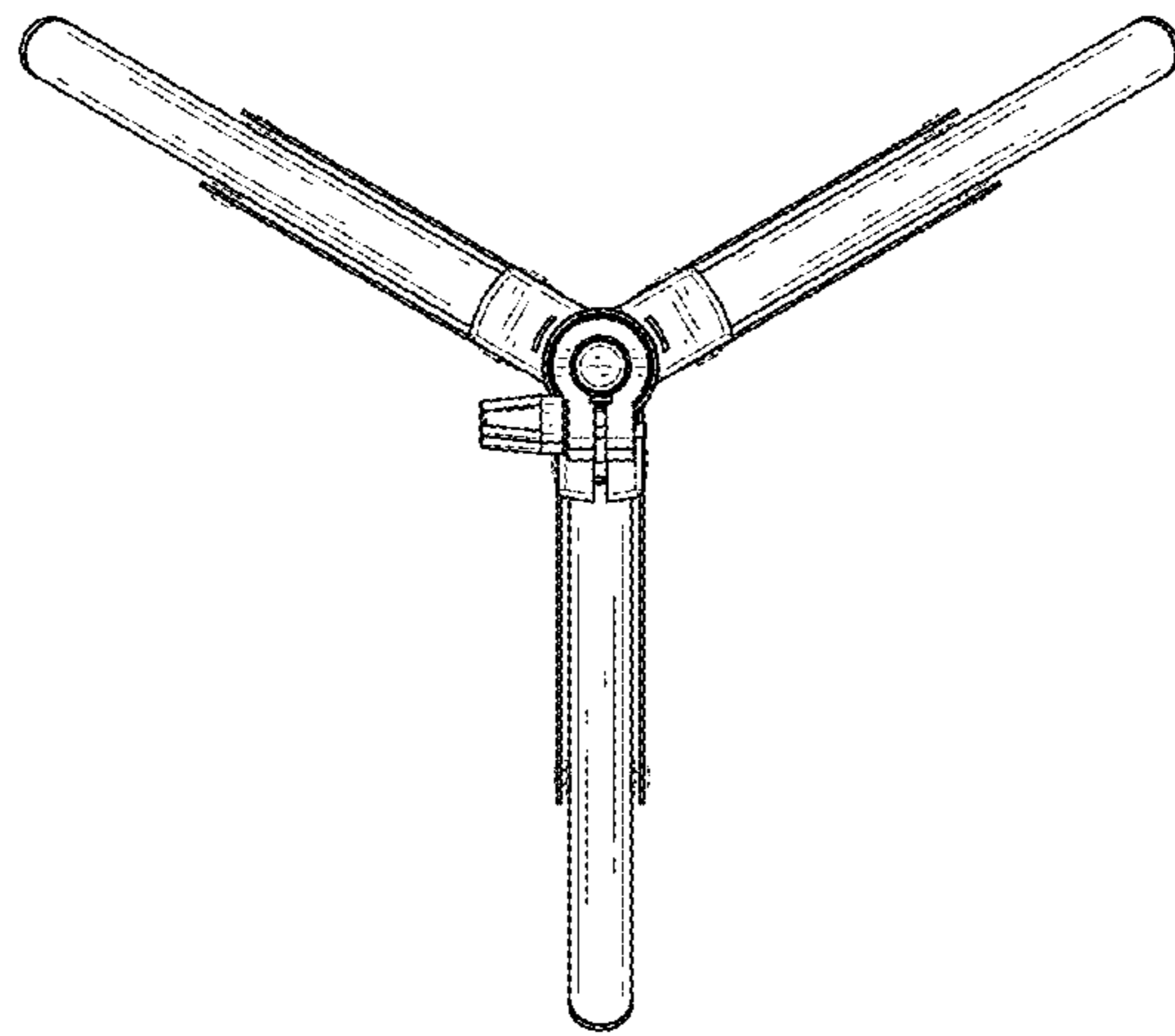


FIG. 26

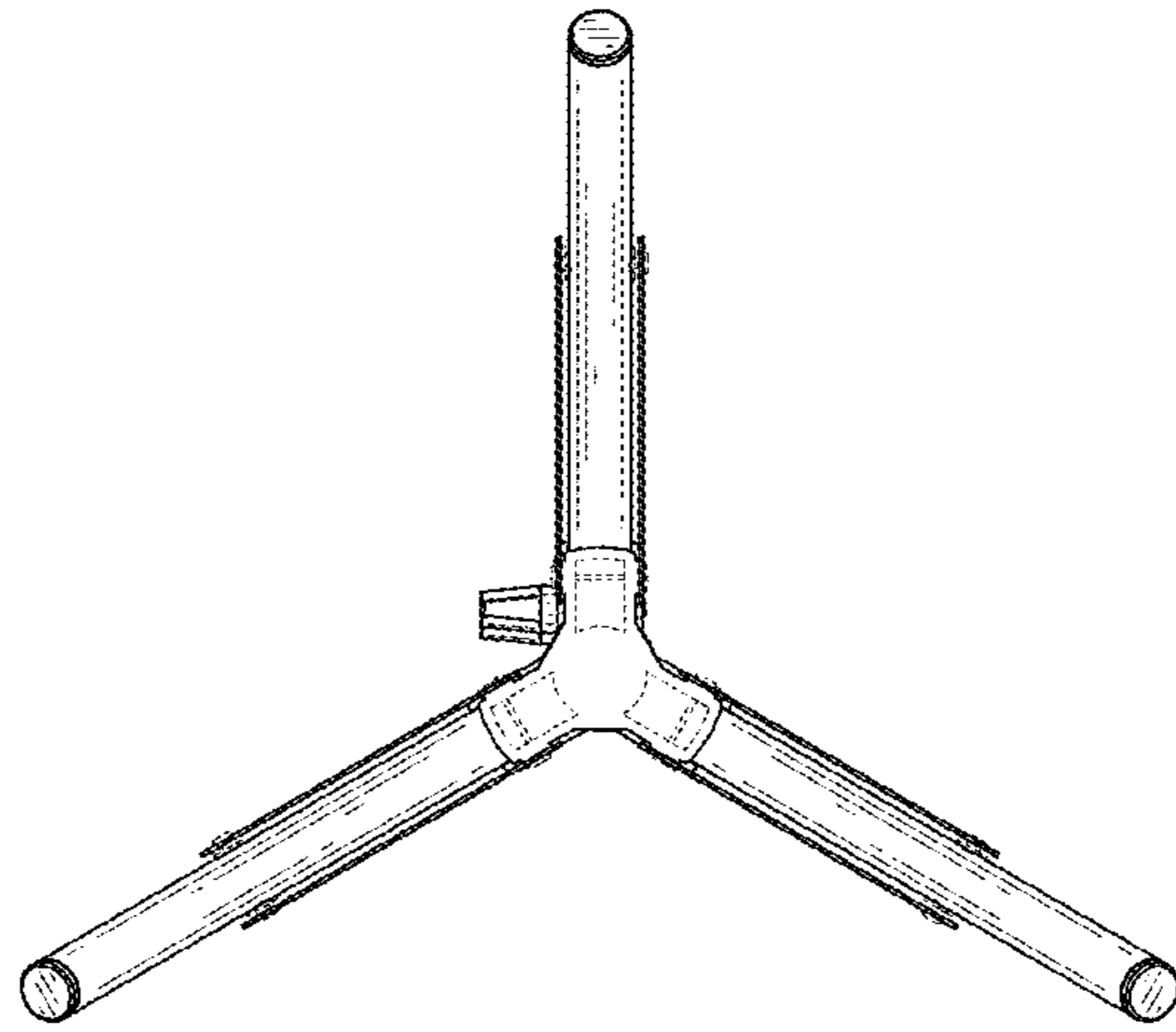


FIG. 27

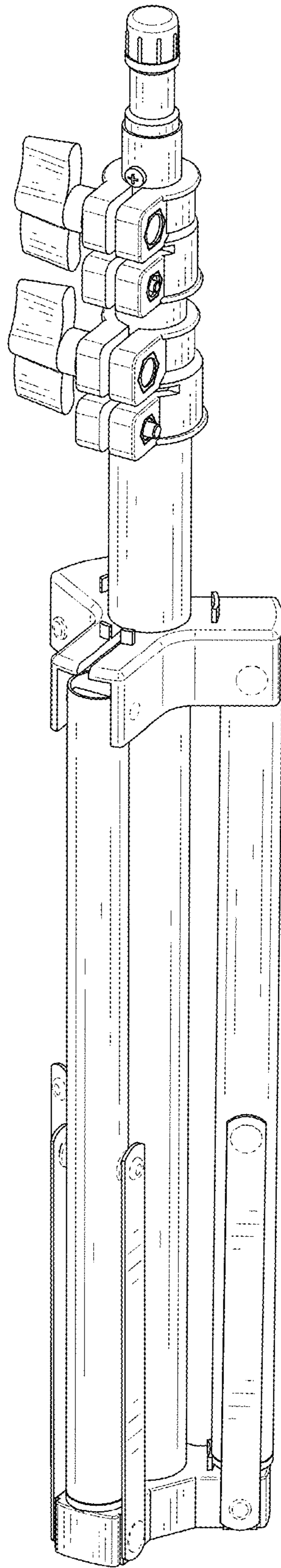


FIG. 28

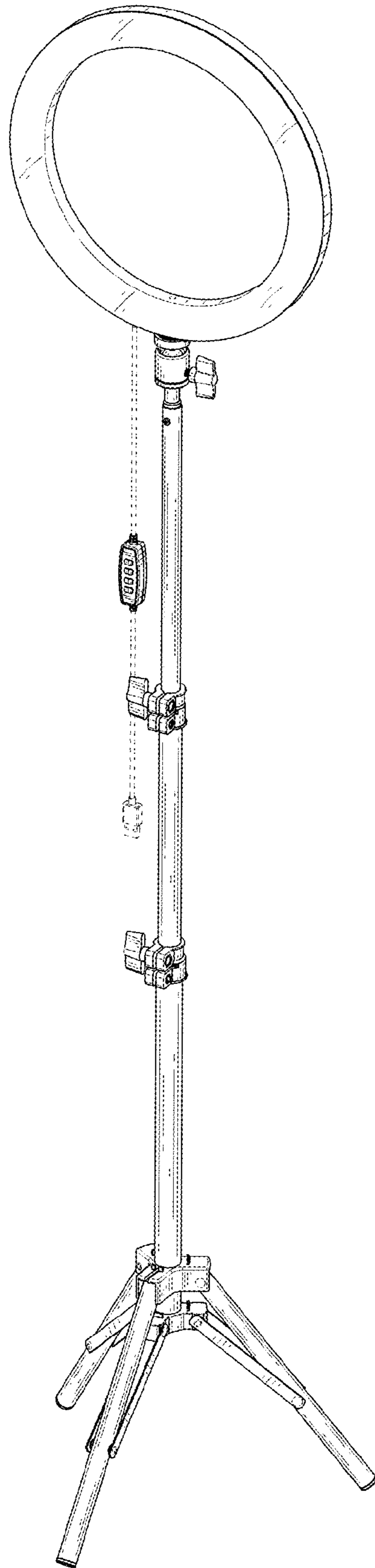


FIG. 29

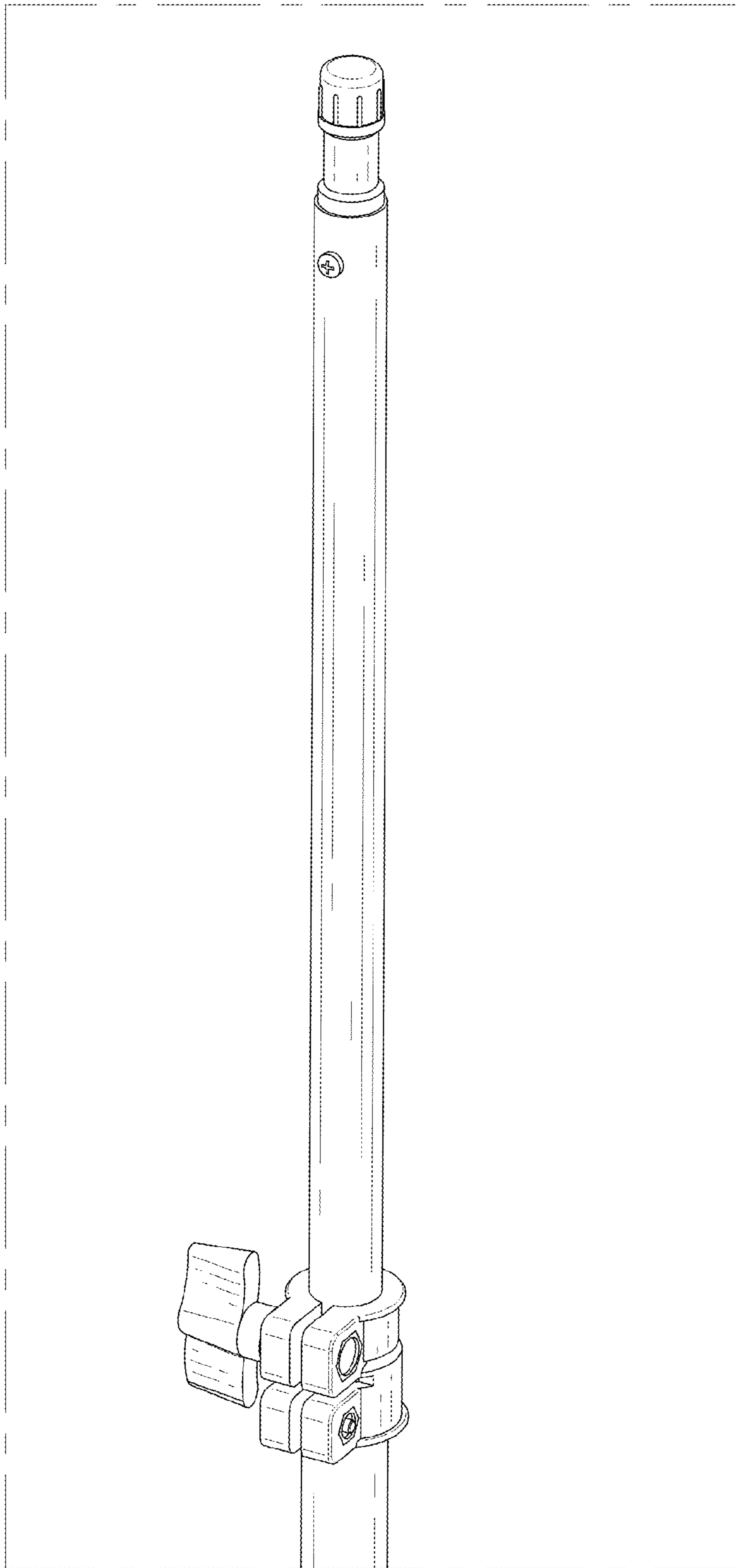


FIG. 30



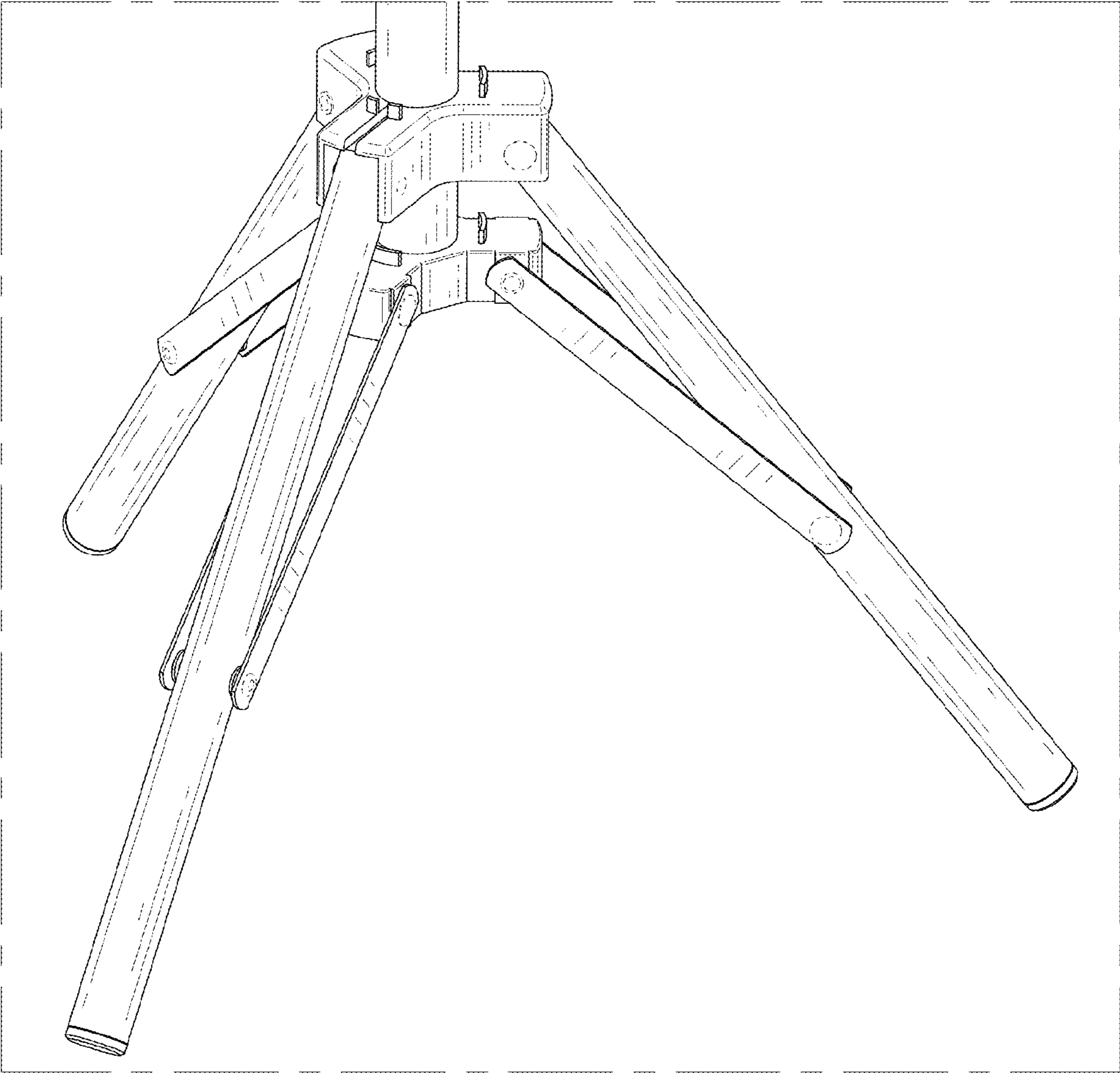


FIG. 31