



US00D924450S

(12) **United States Design Patent** (10) **Patent No.:** **US D924,450 S**
Fukunaga (45) **Date of Patent:** **** Jul. 6, 2021**

(54) **FRONT COMBINATION LAMP FOR AN AUTOMOBILE**

(71) Applicant: **TOYOTA JIDOSHA KABUSHIKI KAISHA**, Toyota (JP)

(72) Inventor: **Keisuke Fukunaga**, Kariya (JP)

(73) Assignee: **TOYOTA JIDOSHA KABUSHIKI KAISHA**

(**) Term: **15 Years**

(21) Appl. No.: **29/718,559**

(22) Filed: **Dec. 26, 2019**

(30) **Foreign Application Priority Data**

Jun. 28, 2019 (JP) 2019-014644

(51) **LOC (13) Cl.** **26-06**

(52) **U.S. Cl.**
USPC **D26/28**

(58) **Field of Classification Search**
USPC D26/28-36, 139
CPC F21S 48/00; F21S 48/10; F21S 48/115;
F21S 48/225; F21S 48/1233; F21S 48/1266; F21S 48/1388; F21S 48/2268;
F21V 5/00; F21V 21/04; F21V 29/004;
B60Q 9/13; B60Q 9/135; B60Q 9/1375
See application file for complete search history.

(56) **References Cited**

U.S. PATENT DOCUMENTS

D637,319 S * 5/2011 Jeong D26/28
D709,219 S * 7/2014 Kim D26/28

D739,578 S * 9/2015 Han D26/28
D767,801 S * 9/2016 Han D26/28
D779,090 S * 2/2017 Giolito D26/28
D788,956 S * 6/2017 Hong D26/28
D812,790 S * 3/2018 Kanno D26/28
D814,080 S * 3/2018 Ha D26/28
D818,164 S * 5/2018 Ha D26/28
D829,947 S * 10/2018 Jung D26/28

OTHER PUBLICATIONS

Netcarshow.com, Toyota Mirai (2016), <https://www.netcarshow.com/toyota/2016-mirai/>, available as early as Nov. 30, 2014.
Autoevolution, Toyota Harrier (2014), https://www.autoevolution.com/cars/toyota-harrier-2014.html#, available as early as Mar. 31, 2014.
Mercedes-Benz, Mercedes-Benz B-Class (2014), <https://www.mercedes-benz.de/>, available as early as Dec. 31, 2014.

* cited by examiner

Primary Examiner — Marcus A Jackson
(74) *Attorney, Agent, or Firm* — Saidman DesignLaw Group, LLC

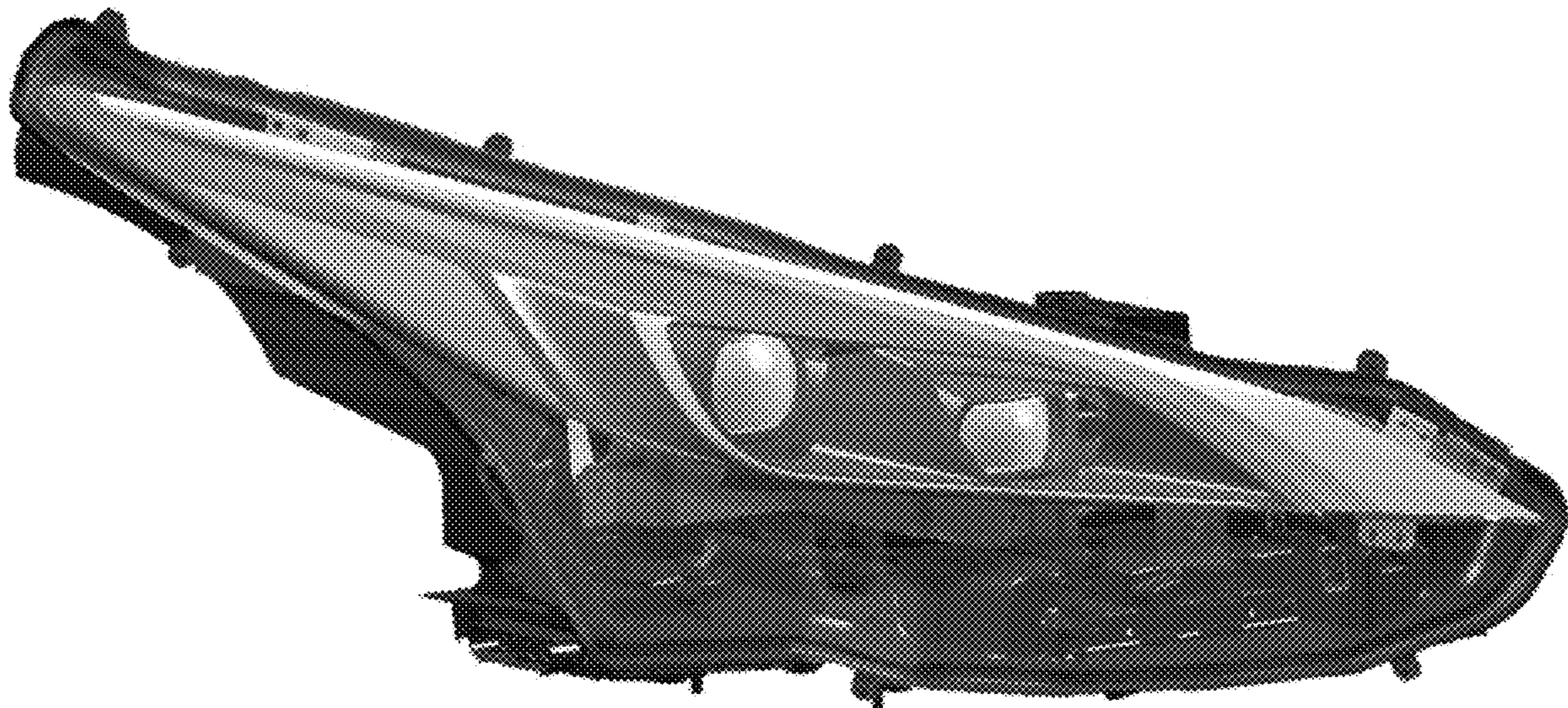
(57) **CLAIM**

The ornamental design for a front combination lamp for an automobile, as shown and described.

DESCRIPTION

FIG. 1 is a perspective view of a front combination lamp for an automobile showing my new design;
FIG. 2 is a front view thereof;
FIG. 3 is a rear view thereof;
FIG. 4 is a right side view thereof;
FIG. 5 is a left side view thereof;
FIG. 6 is a top view thereof; and,
FIG. 7 is a bottom view thereof.

1 Claim, 7 Drawing Sheets



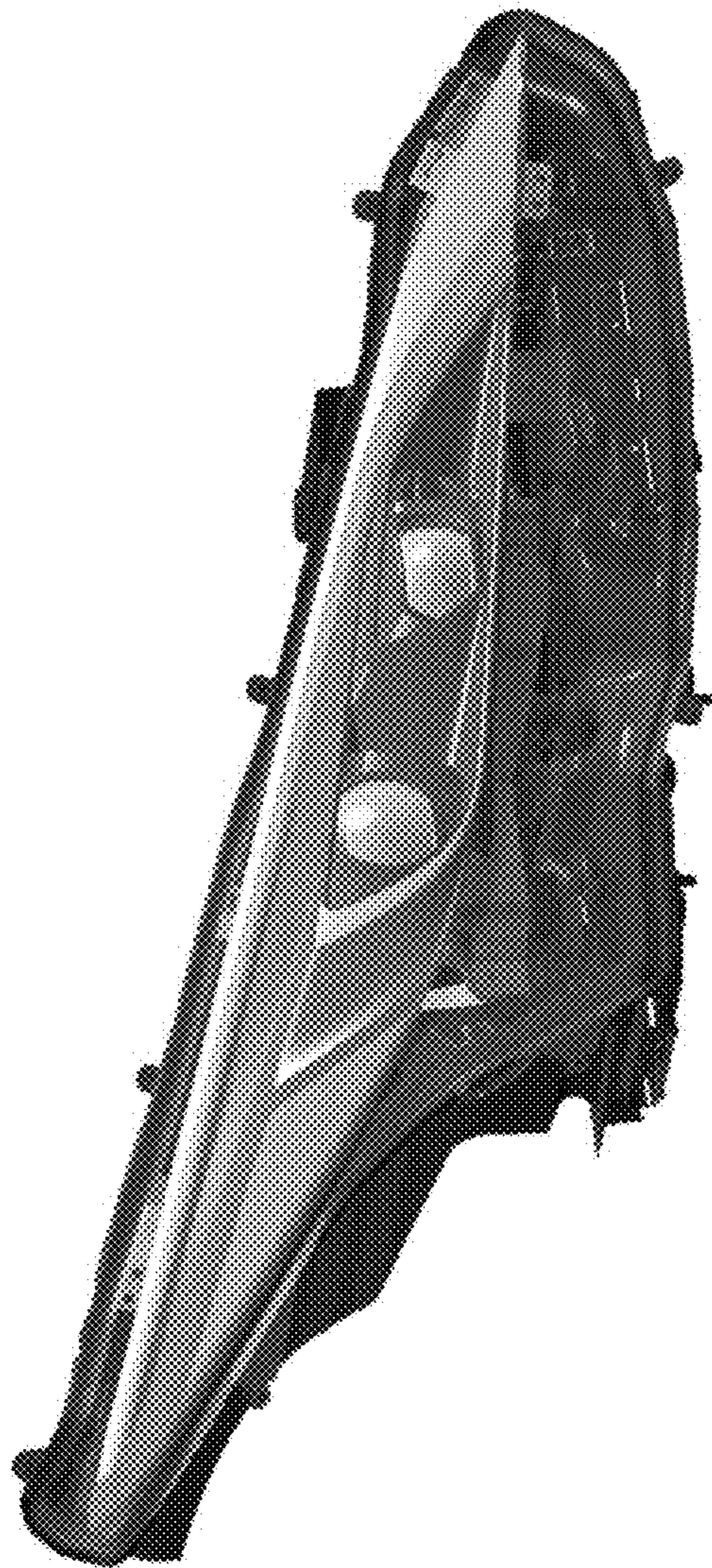


FIG. 1

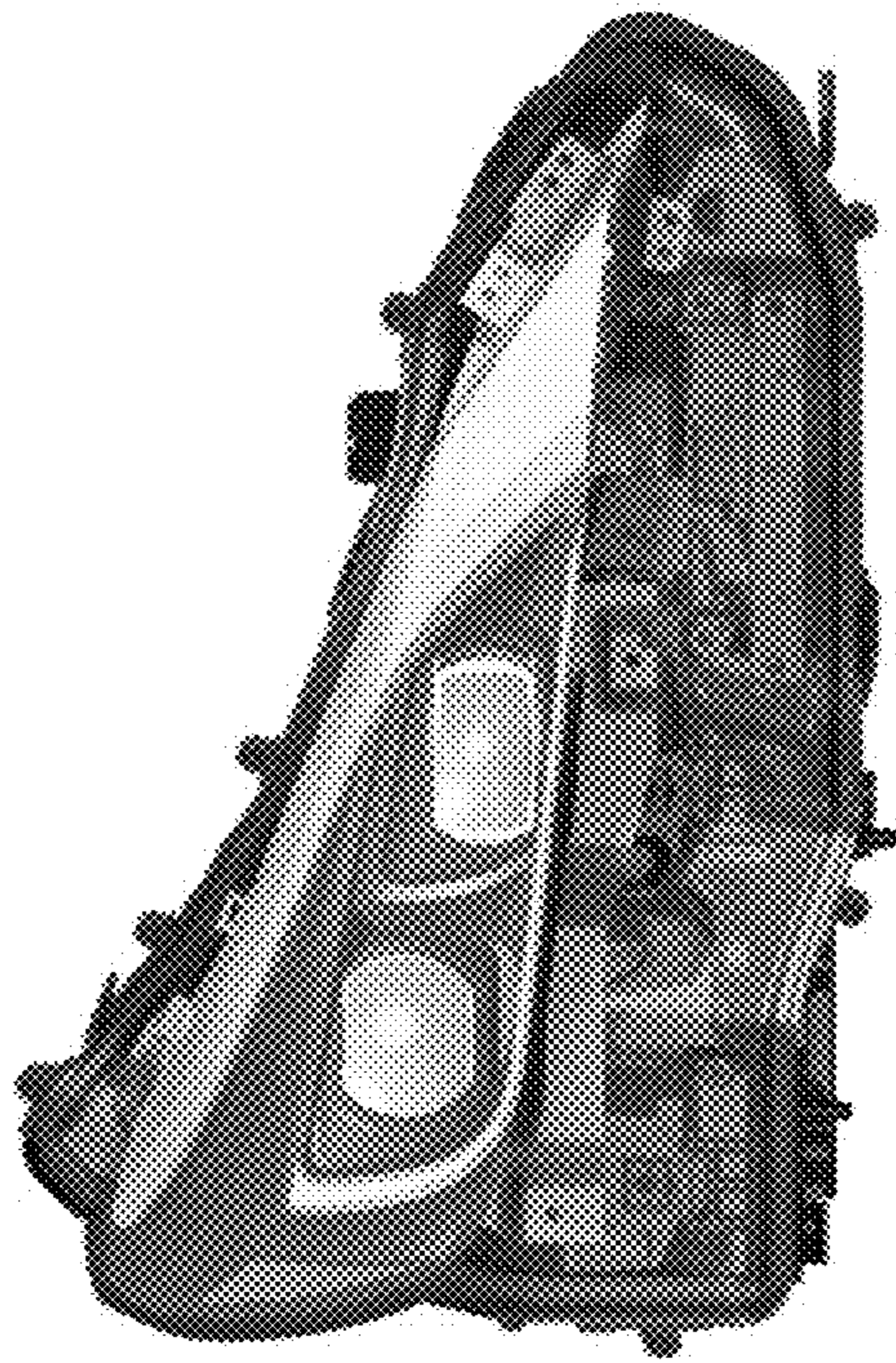


FIG. 2

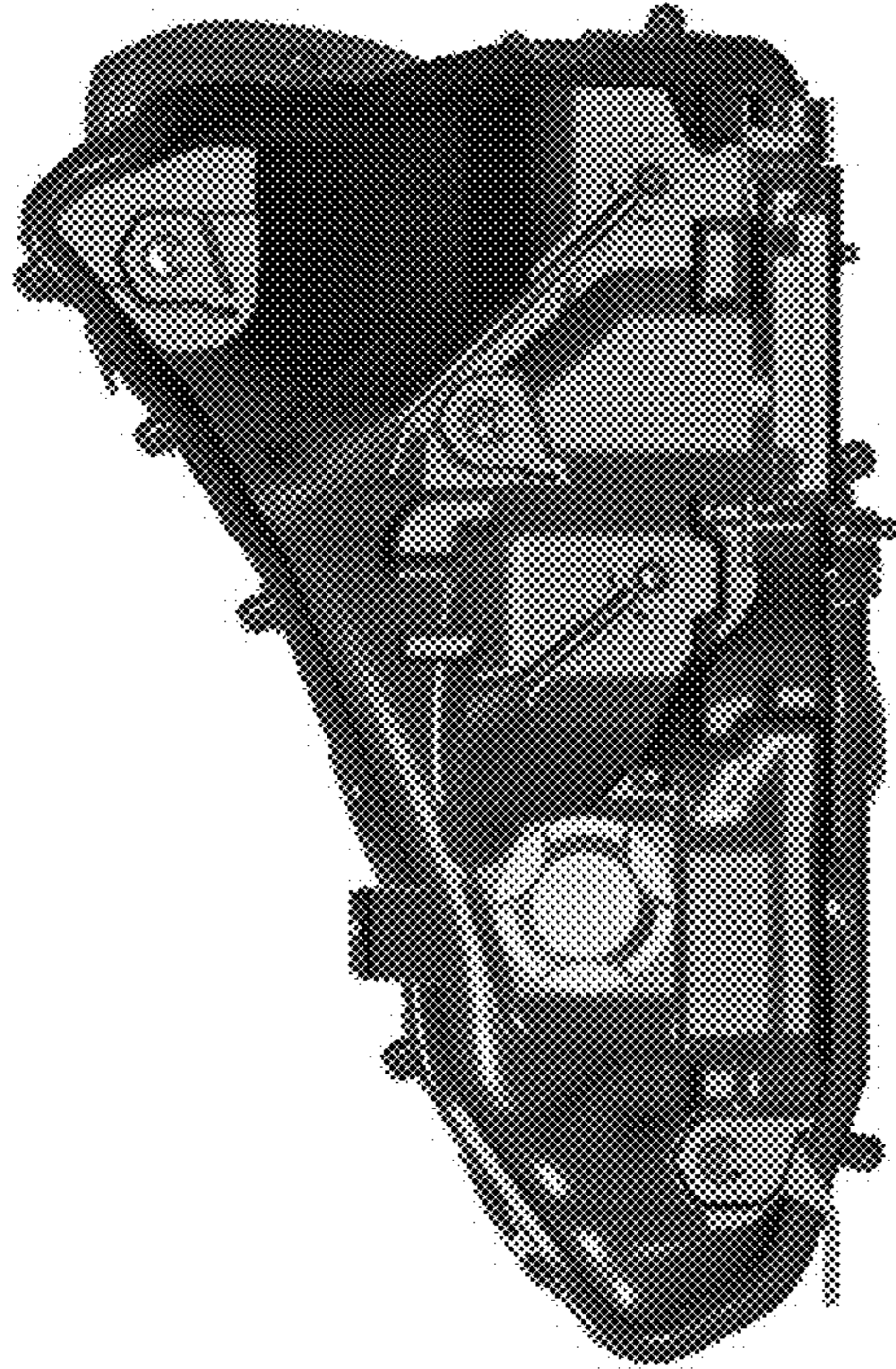


FIG. 3

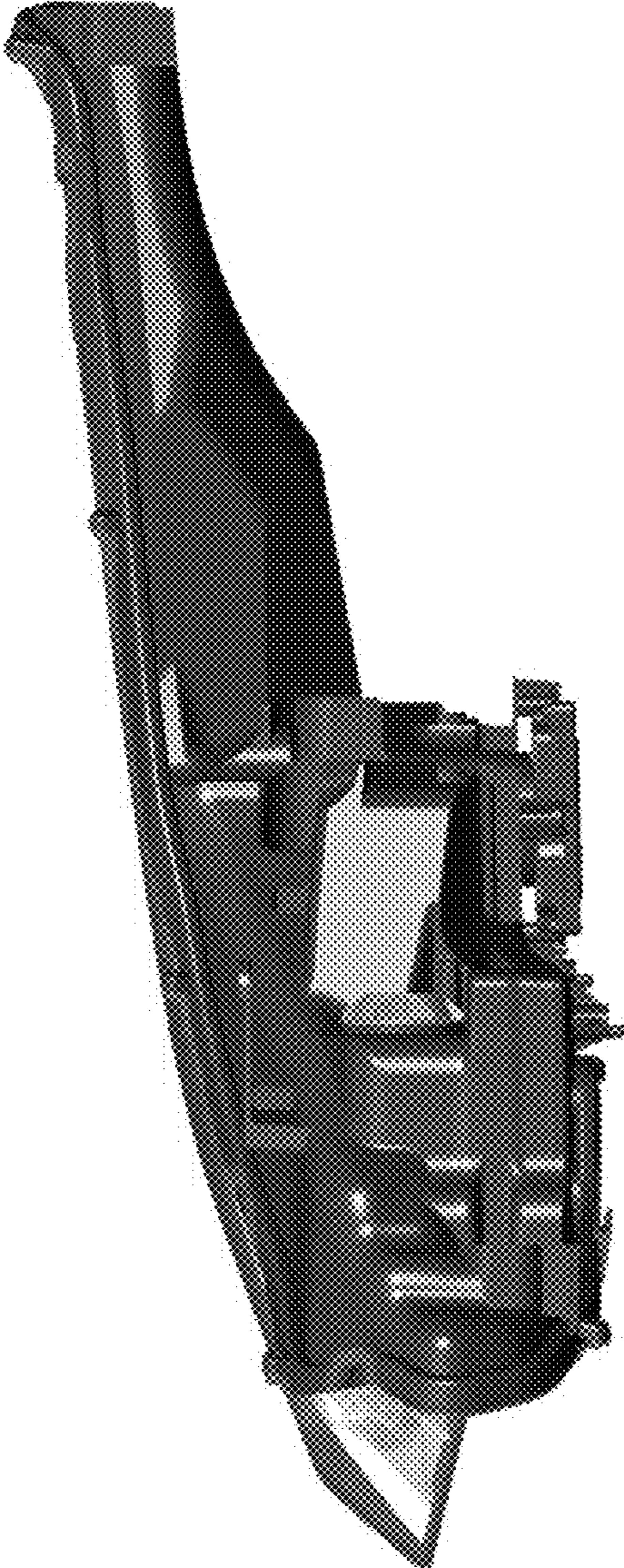


FIG. 4

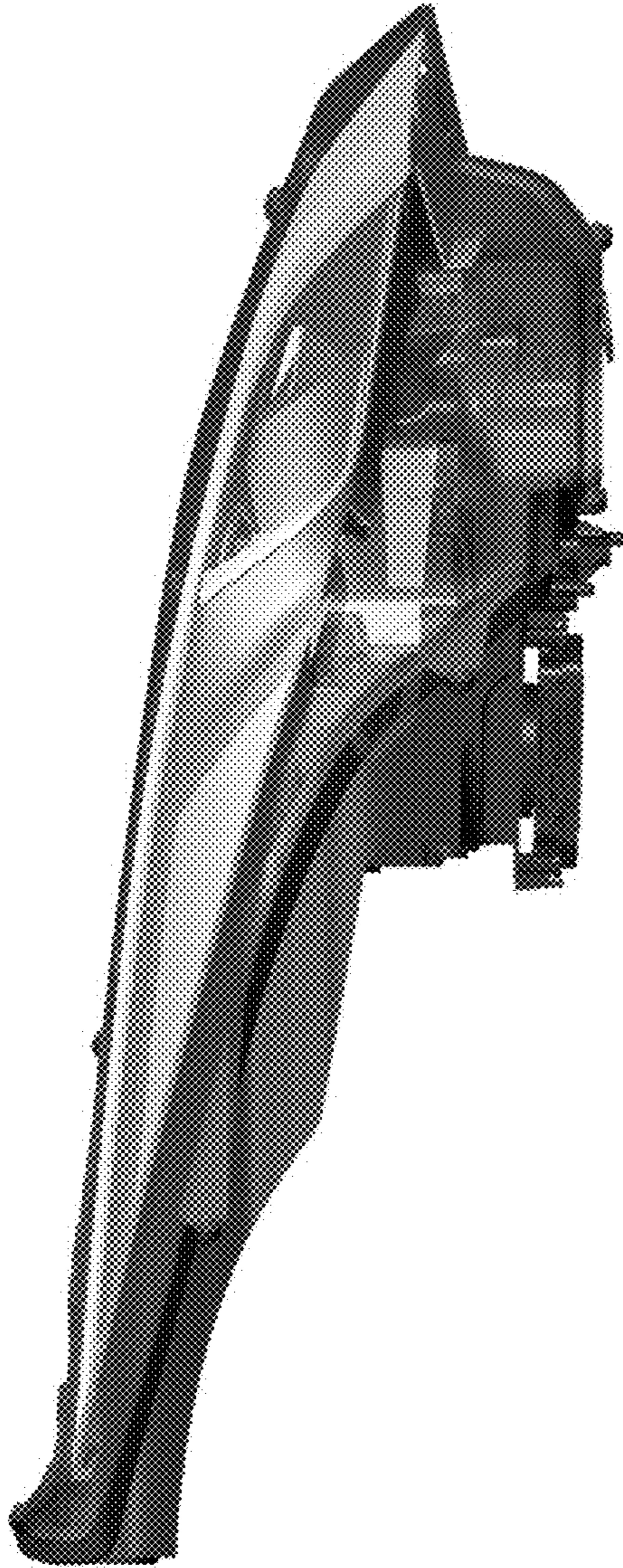


FIG. 5

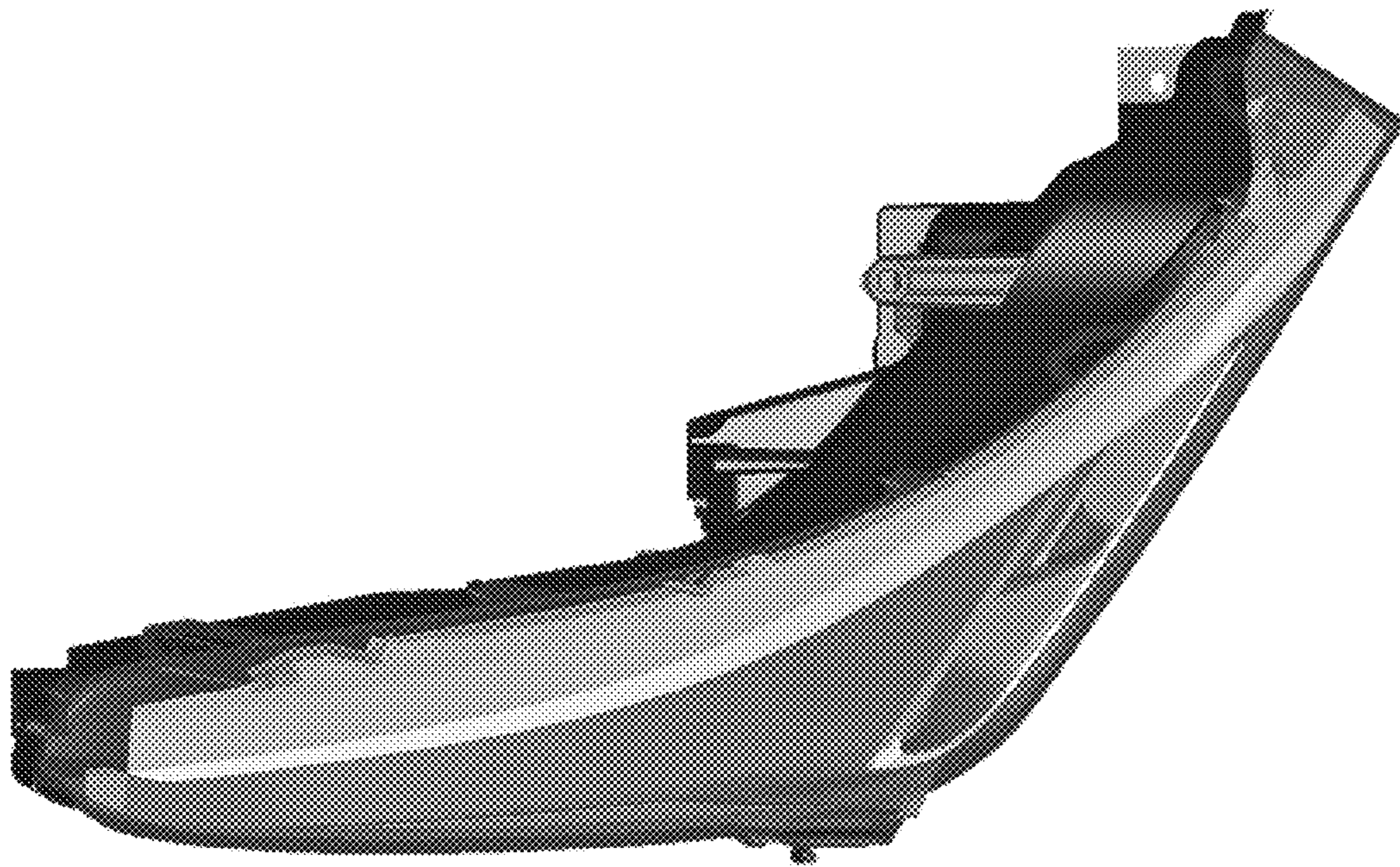


FIG. 6

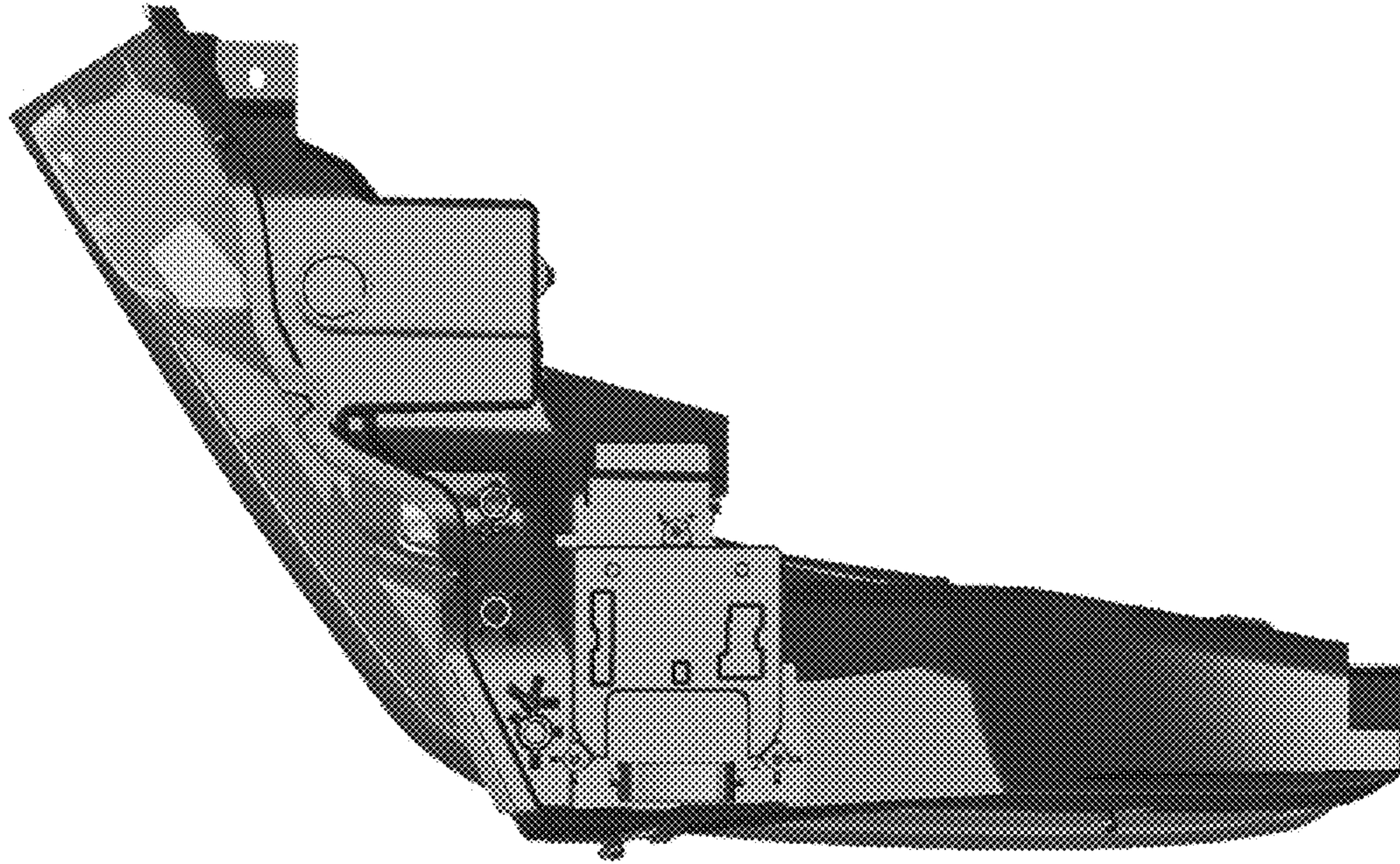


FIG. 7