



US00D924449S

(12) **United States Design Patent**
Zhang

(10) **Patent No.:** **US D924,449 S**

(45) **Date of Patent:** **** Jul. 6, 2021**

(54) **LIGHT WITH SOUND CONTROL**
(71) Applicant: **Yingying Zhang**, Xuzhou (CN)
(72) Inventor: **Yingying Zhang**, Xuzhou (CN)
(**) Term: **15 Years**

D876,701 S 2/2020 Richardson et al.
D880,022 S * 3/2020 Gong D26/25
D885,617 S * 5/2020 Li D26/25
D889,696 S * 7/2020 Cao D26/25
D908,933 S * 1/2021 Wu D26/25
D910,890 S * 2/2021 Yang D26/25

* cited by examiner

(21) Appl. No.: **29/762,751**

Primary Examiner — Brian N. Vinson

(22) Filed: **Dec. 18, 2020**

(51) **LOC (13) Cl.** **26-02**

(52) **U.S. Cl.**
USPC **D26/25**

(58) **Field of Classification Search**
USPC D26/25
CPC F21S 4/00; F21S 4/15; F21S 2/00; F21V
21/08

See application file for complete search history.

(57) **CLAIM**

The ornamental design for a light with sound control, as shown and described.

DESCRIPTION

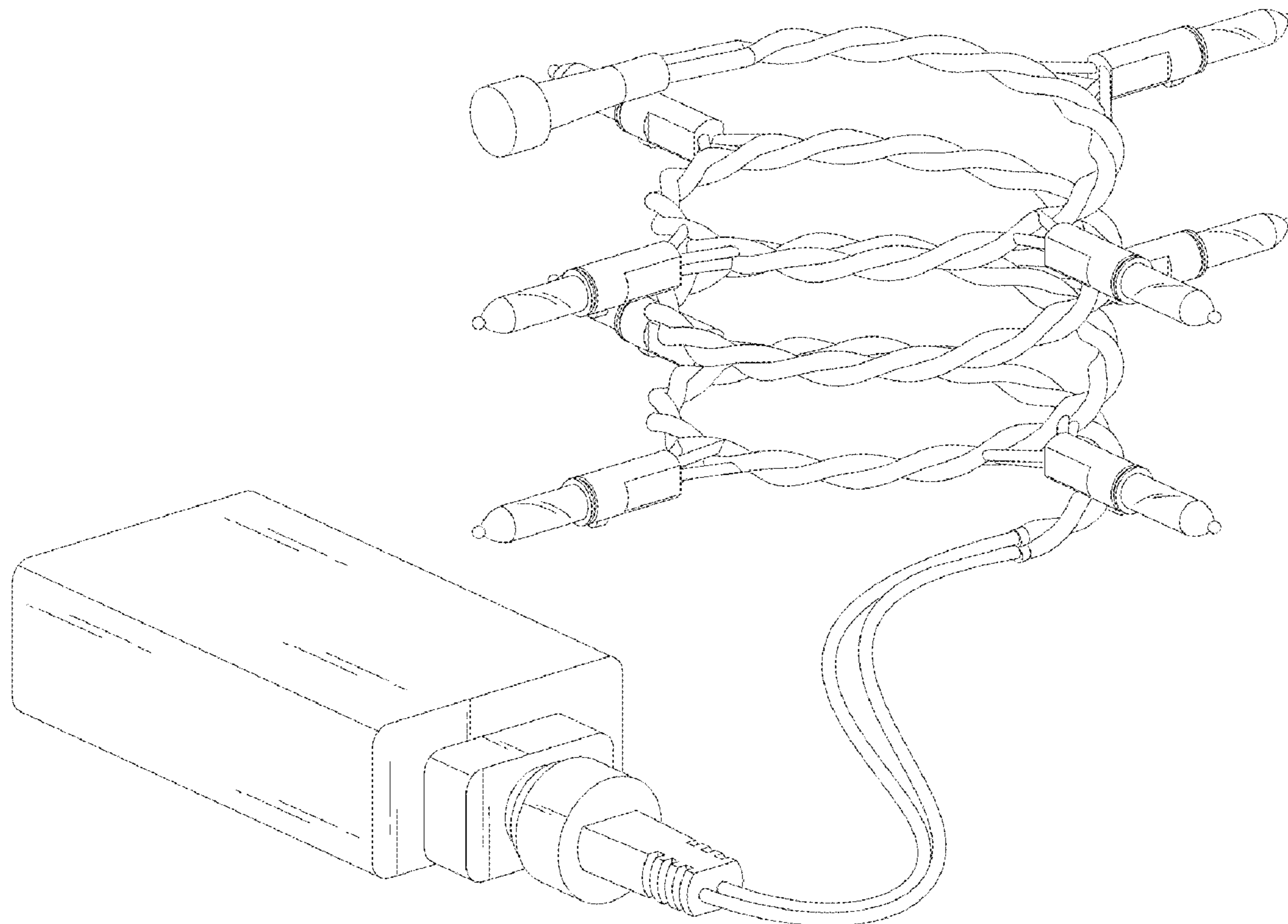
FIG. 1 is a perspective view of a light with sound control showing my new design;
FIG. 2 is a top view thereof;
FIG. 3 is a left side view thereof;
FIG. 4 is a front view thereof;
FIG. 5 is a right side view thereof;
FIG. 6 is a back view thereof; and,
FIG. 7 is a bottom view thereof.

(56) **References Cited**

U.S. PATENT DOCUMENTS

D582,582 S * 12/2008 Ferrigno D26/25
D698,983 S 2/2014 Rampolla et al.
D851,806 S 6/2019 Richardson et al.

1 Claim, 7 Drawing Sheets



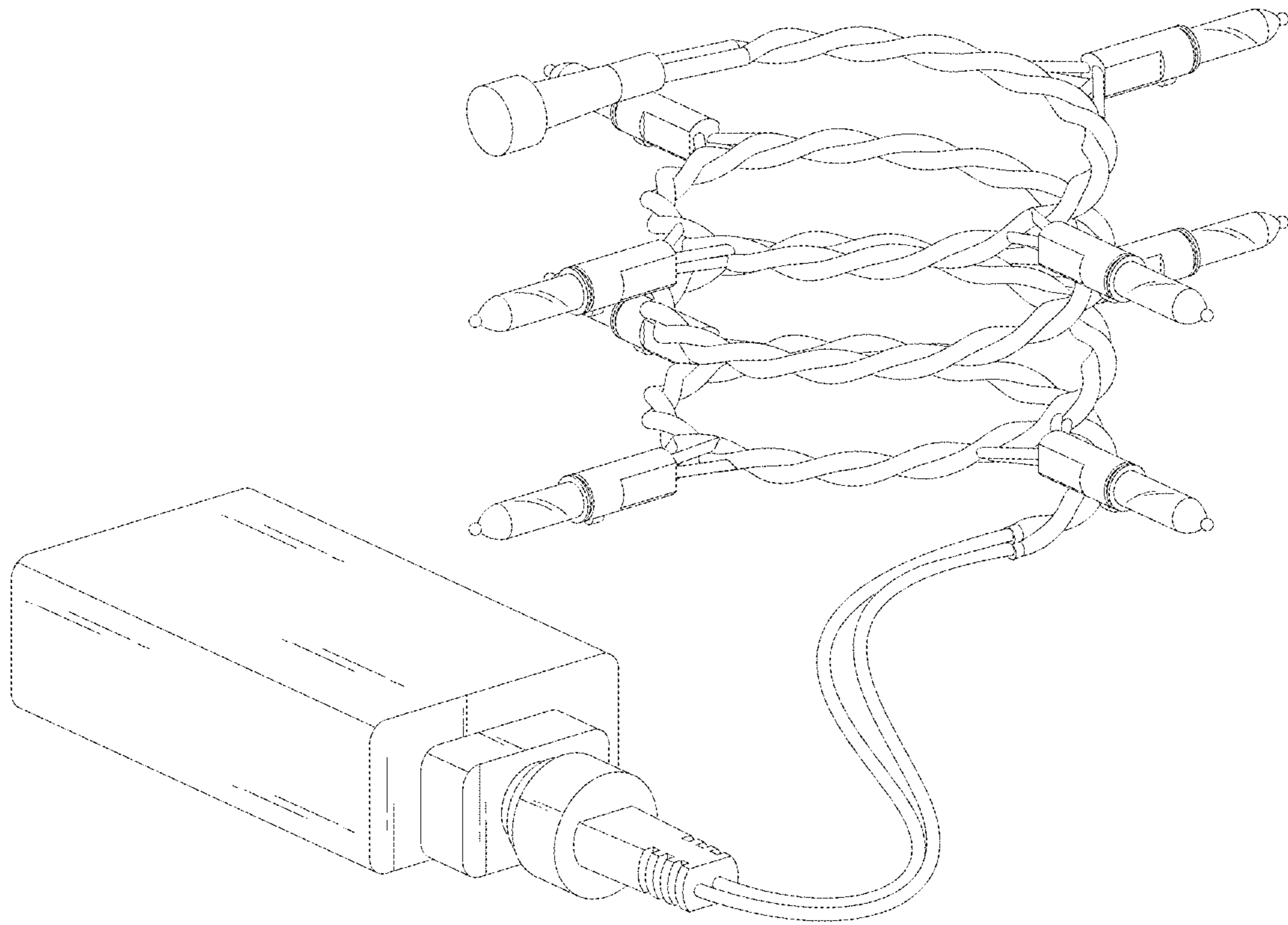


FIG. 1

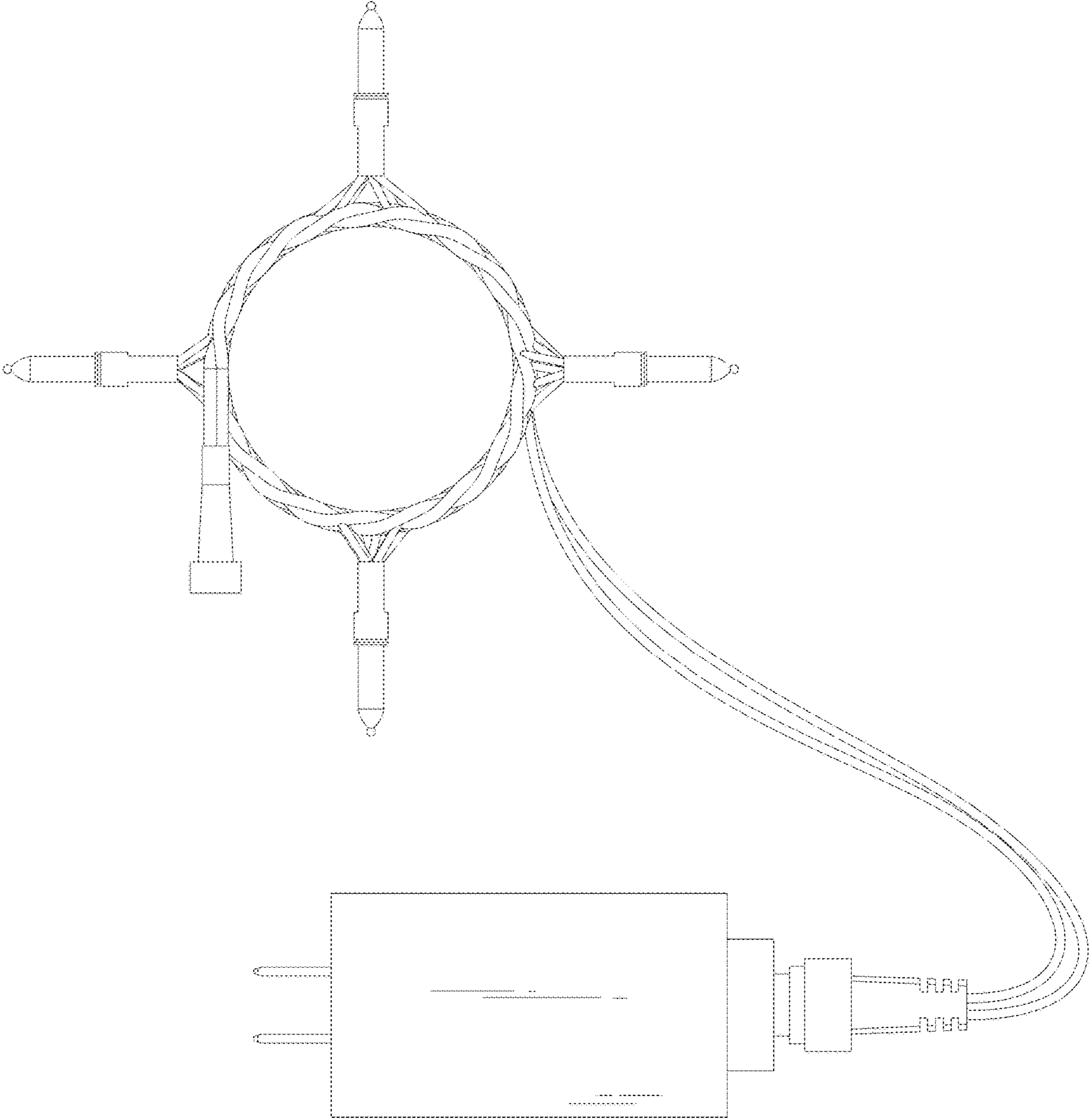


FIG. 2

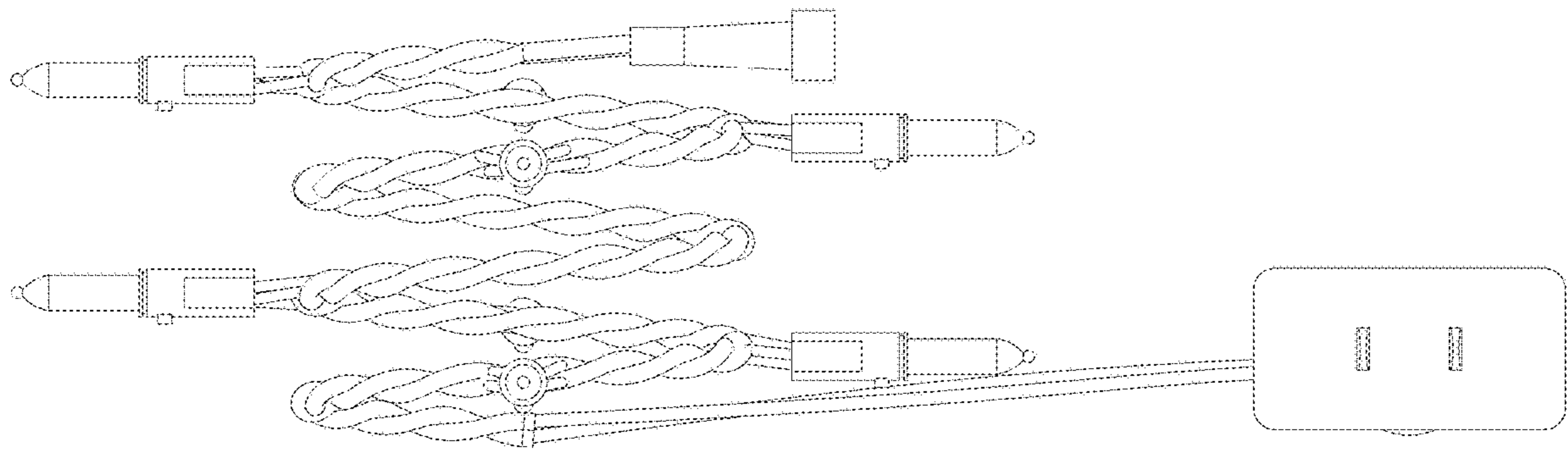


FIG. 3

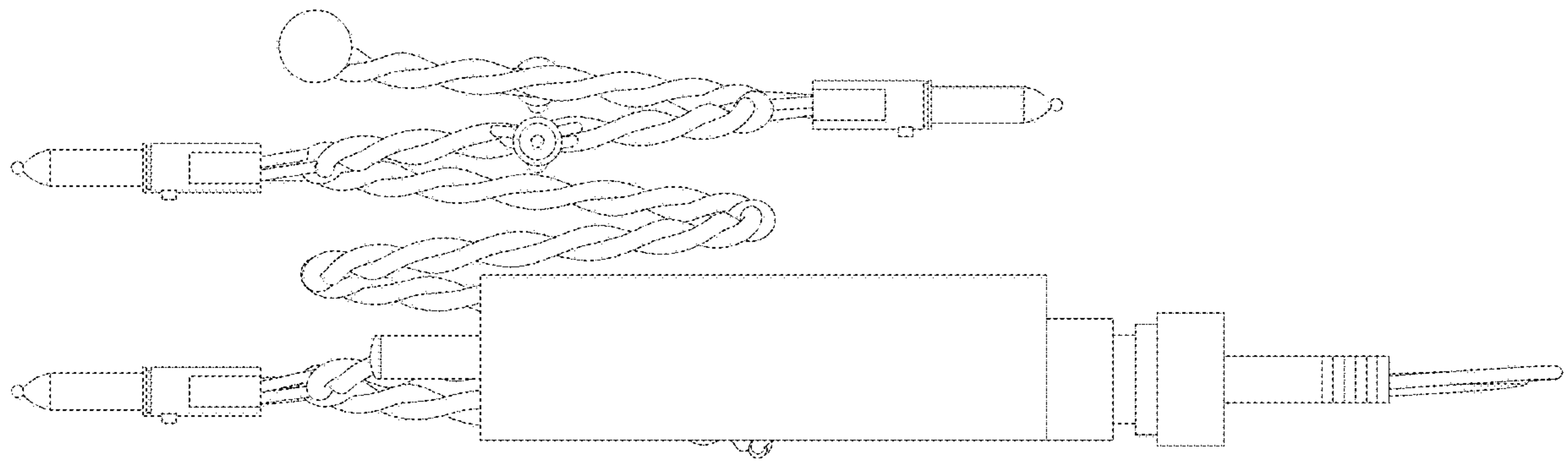


FIG.4

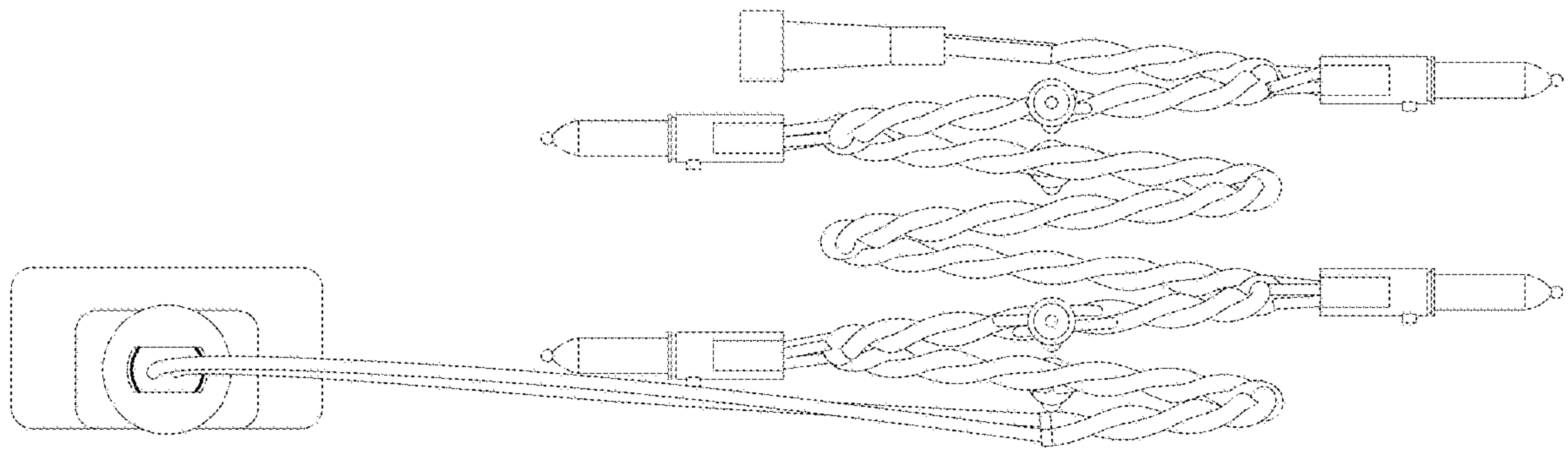


FIG. 5

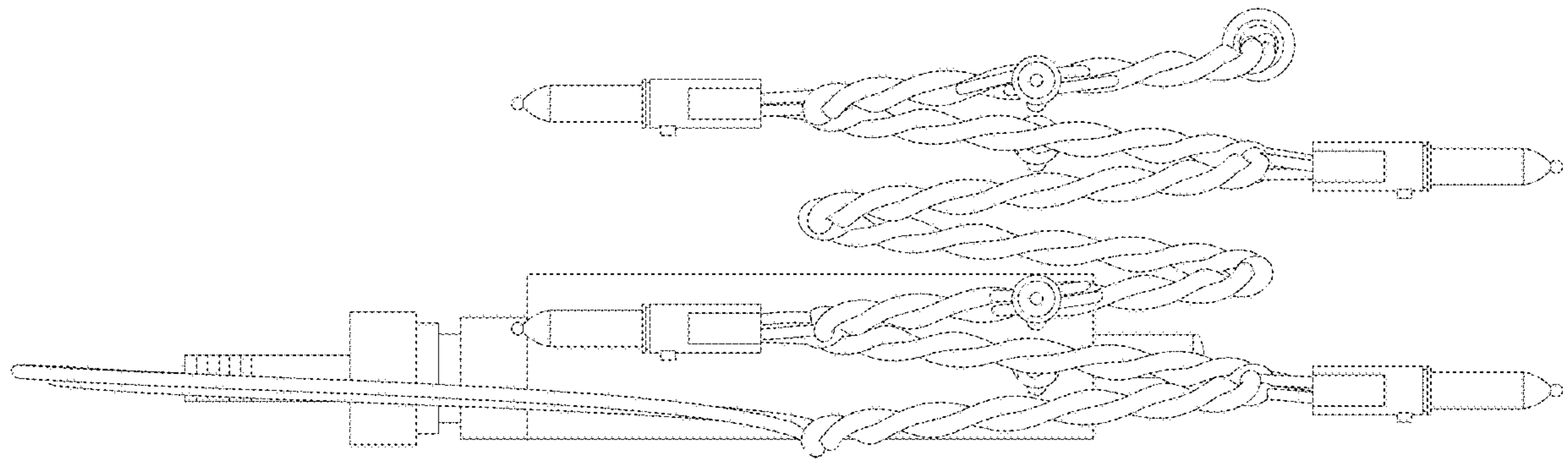


FIG. 6

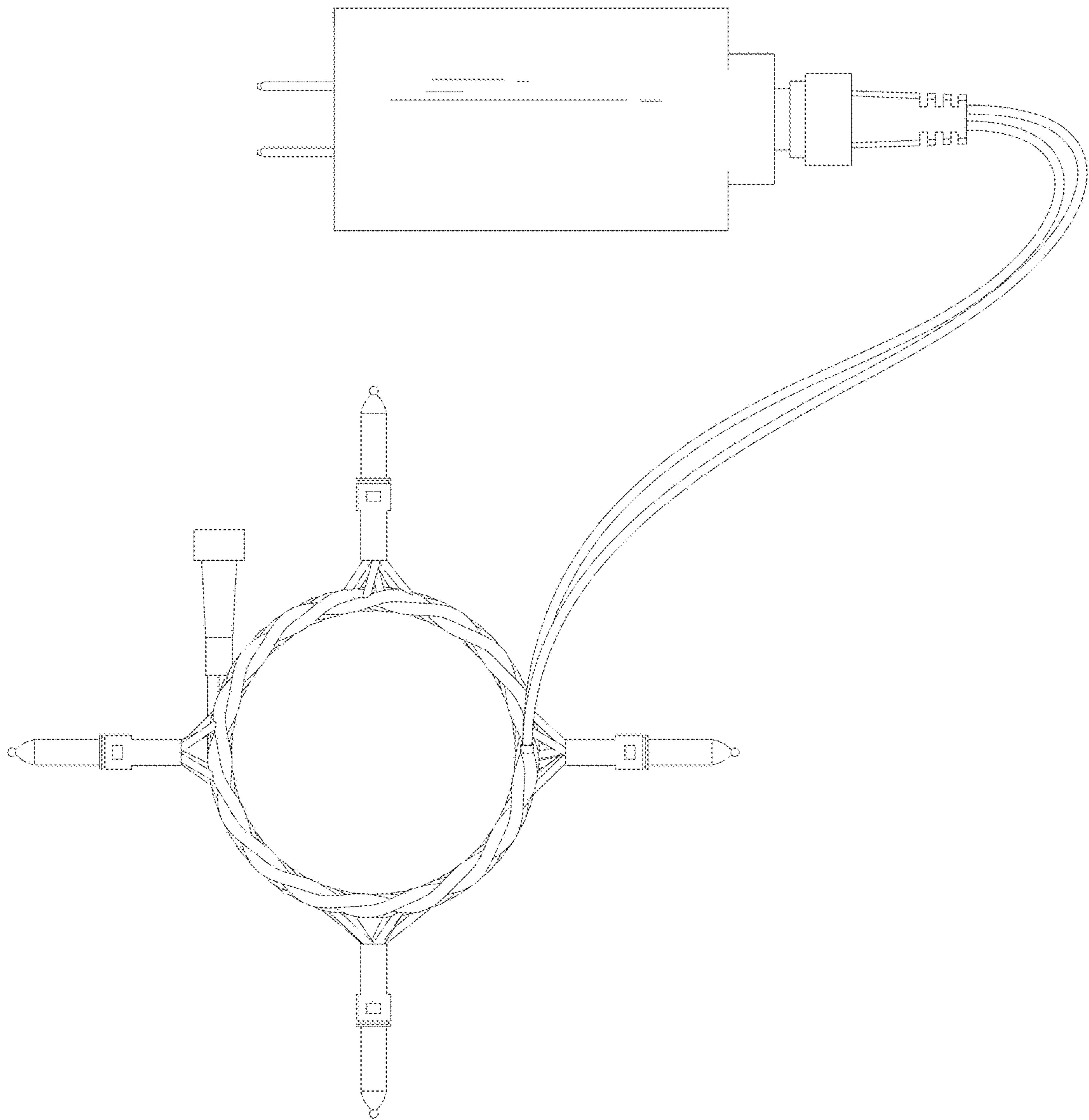


FIG. 7