



US00D924447S

(12) **United States Design Patent**  
**Zhang**

(10) **Patent No.:** **US D924,447 S**

(45) **Date of Patent:** **\*\* Jul. 6, 2021**

(54) **LED LAMP**

(71) Applicant: **Yong Zhang**, Shenzhen (CN)

(72) Inventor: **Yong Zhang**, Shenzhen (CN)

(\*\*) Term: **15 Years**

(21) Appl. No.: **29/669,799**

(22) Filed: **Nov. 12, 2018**

(51) **LOC (13) Cl.** ..... **26-04**

(52) **U.S. Cl.**  
USPC ..... **D26/1**

(58) **Field of Classification Search**  
USPC ..... D26/1-10

CPC ..... H01R 13/514; H01R 5/00; H01R 13/46;  
H01R 31/02; H01R 31/048; H01J 5/00;  
H01J 5/16; H01J 1/02; H01J 15/00; H01J  
5/48; H01J 5/50; H01J 19/54; F21V 5/00;  
F21K 9/00; F21K 13/00

See application file for complete search history.

(56) **References Cited**

U.S. PATENT DOCUMENTS

D508,573 S \* 8/2005 Matsui ..... D26/1  
D636,900 S \* 4/2011 Chou ..... D26/1

\* cited by examiner

*Primary Examiner* — Marcus A Jackson

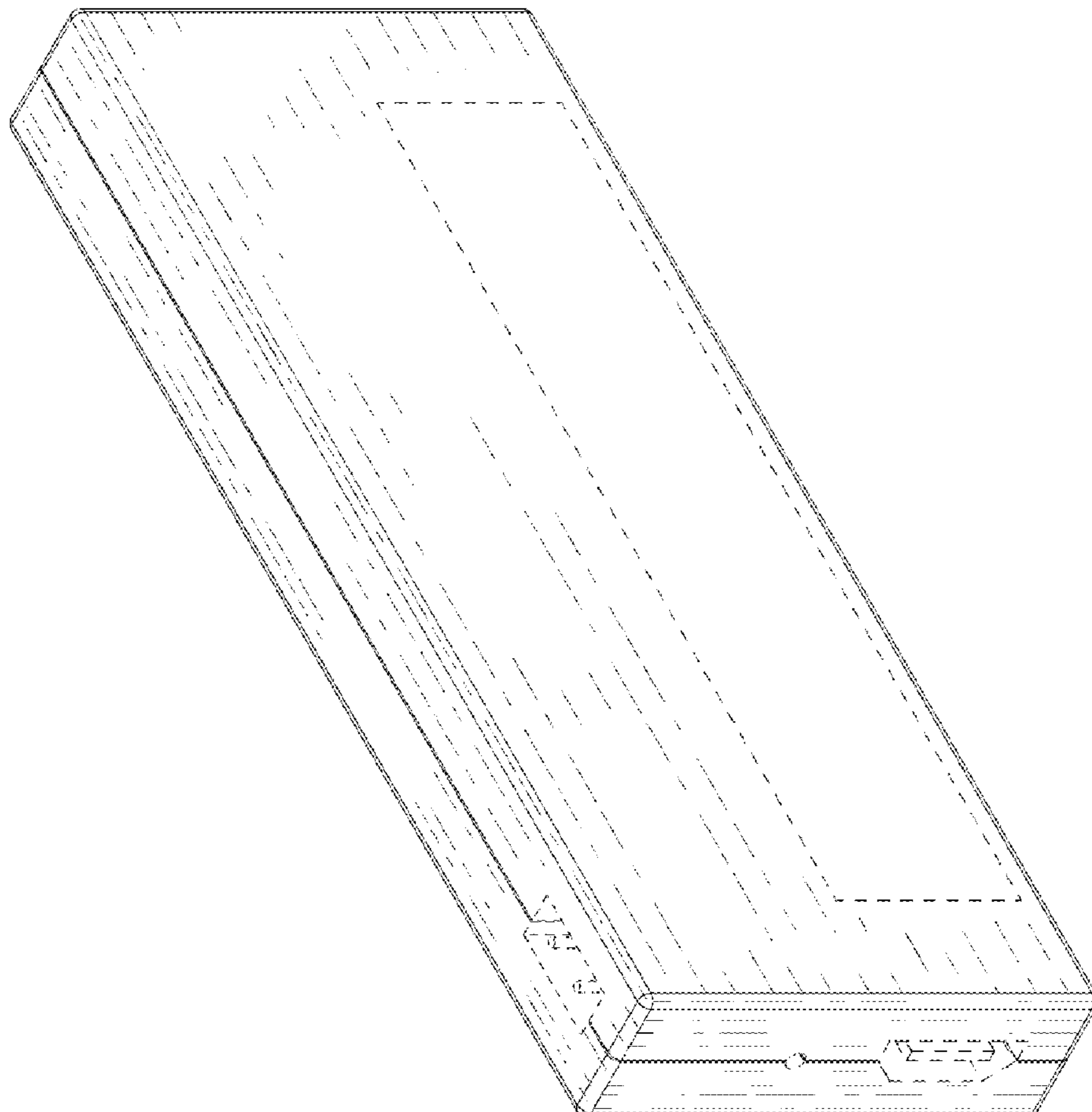
(57) **CLAIM**

The ornamental design for a LED lamp, as shown and described.

**DESCRIPTION**

FIG. 1 is a front-top-left perspective view of a LED lamp showing my new design;  
FIG. 2 is a front-top-right perspective view thereof;  
FIG. 3 is a front-plan view thereof;  
FIG. 4 is a back-plan view thereof;  
FIG. 5 is a left elevation view thereof;  
FIG. 6 is a right elevation view thereof;  
FIG. 7 is a top elevation view thereof; and,  
FIG. 8 is a bottom elevation view thereof.  
The broken line showing the LED lamp in FIGS. 1-8 are included for the purpose of showing environmental structure and form no part of the claimed design.

**1 Claim, 8 Drawing Sheets**



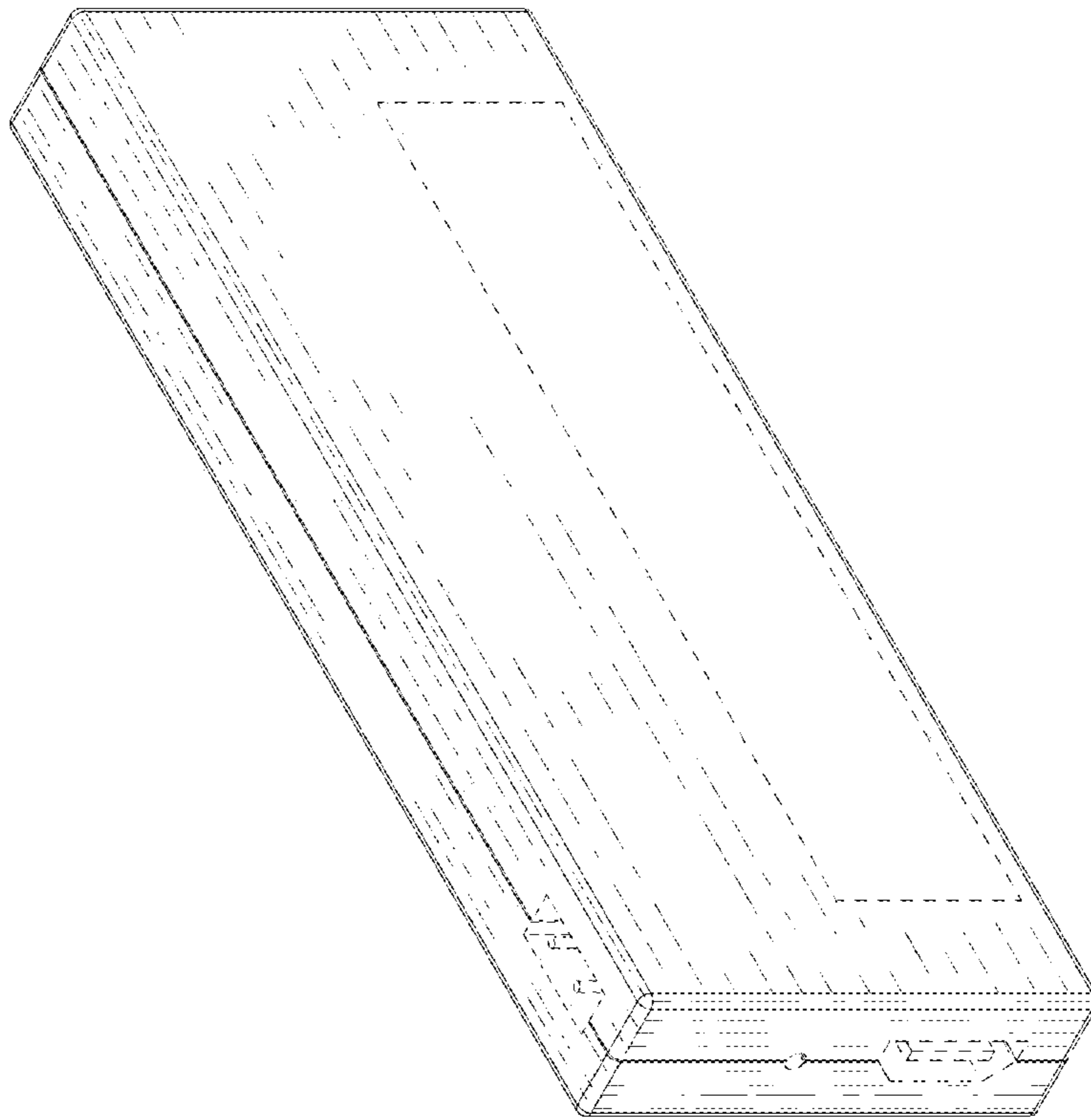


FIG. 1

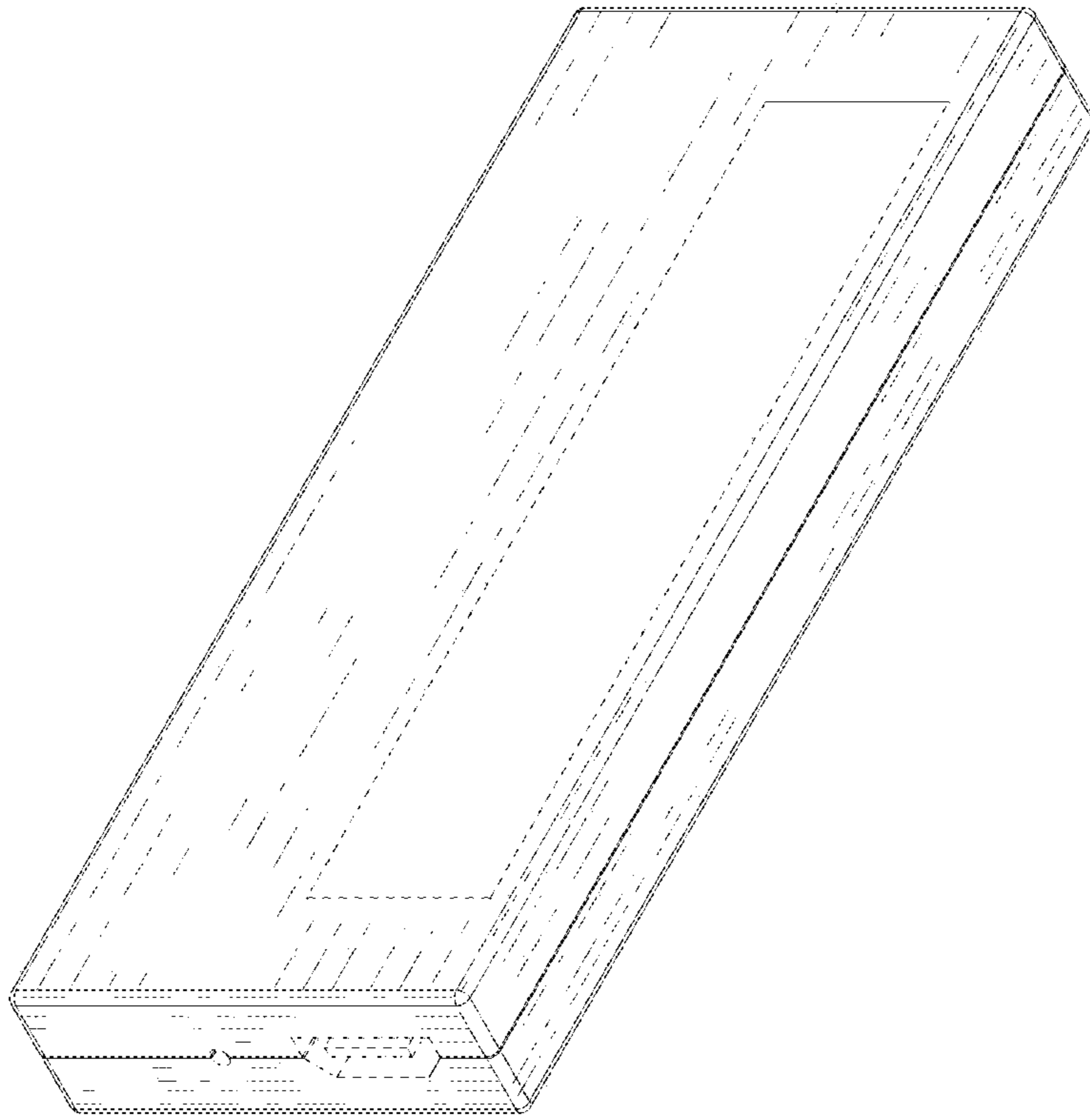


FIG. 2

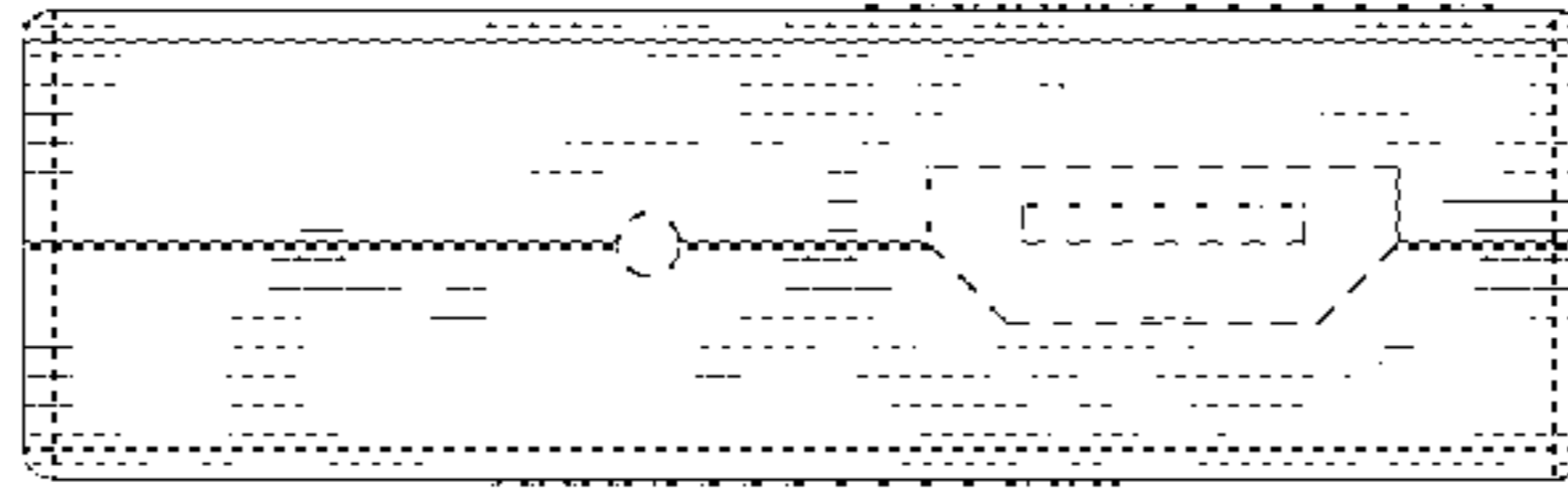


FIG. 3

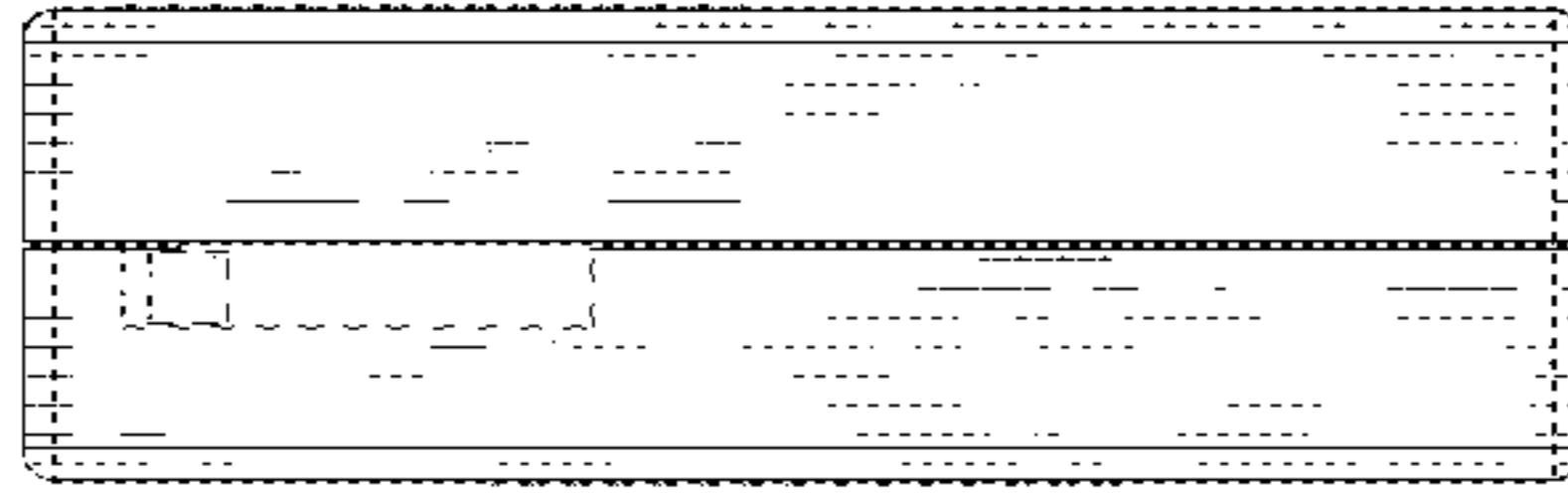


FIG. 4

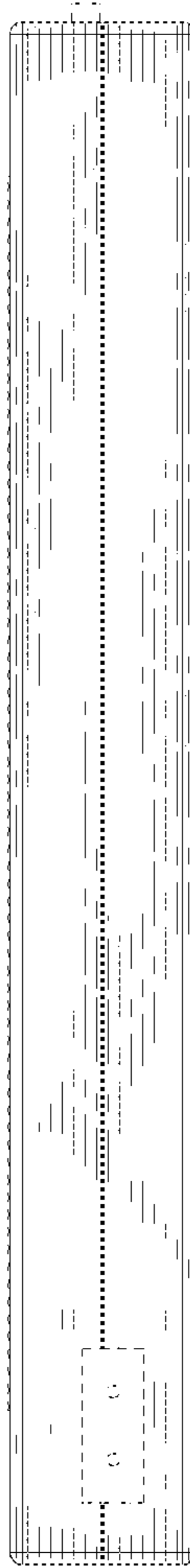


FIG. 5

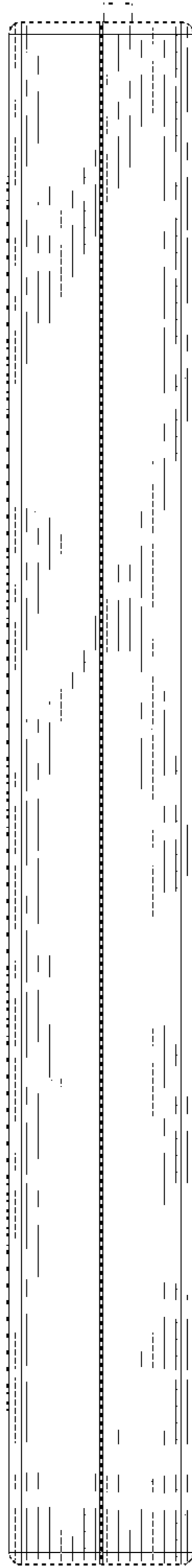


FIG. 6

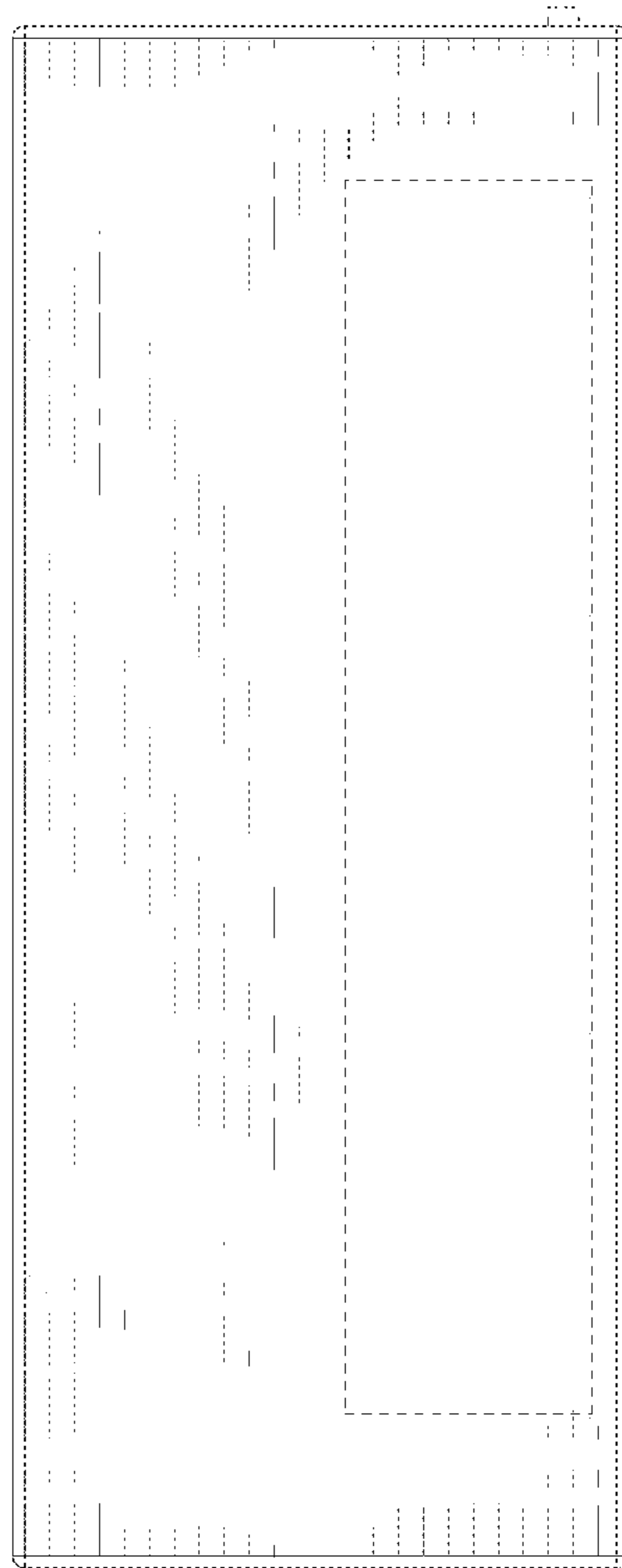


FIG. 7



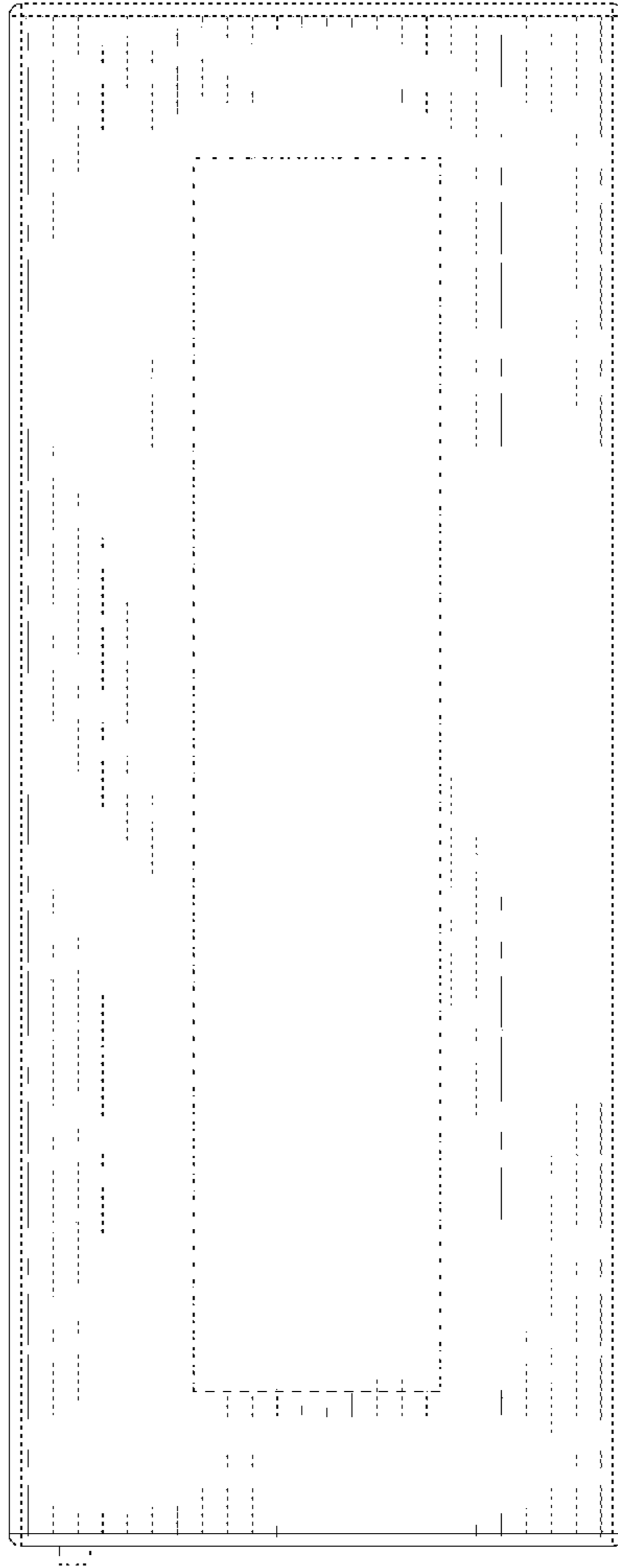


FIG. 8