



US00D924439S

(12) **United States Design Patent**  
**Luvison**

(10) **Patent No.:** **US D924,439 S**

(45) **Date of Patent:** **\*\* Jul. 6, 2021**

- (54) **MULLION FOR A WINDOW**
- (71) Applicant: **Associated Materials, LLC**, Cuyahoga Falls, OH (US)
- (72) Inventor: **Michael Luvison**, Cuyahoga Falls, OH (US)
- (73) Assignee: **Associated Materials, LLC**, Cuyahoga Falls, OH (US)
- (\*\*) Term: **15 Years**
- (21) Appl. No.: **29/686,536**
- (22) Filed: **Apr. 4, 2019**

3,665,666 A	5/1972	Delcroix
D240,707 S	7/1976	Rudinski
4,067,155 A	1/1978	Ruff et al.
4,207,717 A	6/1980	Hubbard
4,648,231 A	3/1987	Laroche
4,738,065 A	4/1988	Crandell
4,809,475 A	3/1989	Emmer
4,981,001 A	1/1991	Furuminato
5,007,221 A	4/1991	Matthews et al.
5,083,405 A	1/1992	Miller
5,094,051 A	3/1992	Miller
5,355,645 A	10/1994	Farag
5,435,106 A	7/1995	Garries et al.
5,444,958 A	8/1995	Lu
5,579,616 A	12/1996	Farag

(Continued)

*Primary Examiner* — Llorellys Martinez

(74) *Attorney, Agent, or Firm* — Knobbe, Martens, Olson & Bear LLP

**Related U.S. Application Data**

- (63) Continuation of application No. 29/615,048, filed on Aug. 25, 2017, now Pat. No. Des. 846,157.
- (51) **LOC (13) Cl.** ..... **25-01**
- (52) **U.S. Cl.**  
USPC ..... **D25/124**
- (58) **Field of Classification Search**  
USPC ..... D25/119, 120–125, 164, 199; D8/354  
CPC . E04B 2/96; E04B 2/965; E04B 2/967; E06B 1/36; E06B 1/366; E06B 1/38; E06B 1/40; E06B 1/52; E06B 1/524; E06B 3/68; E06B 3/964; E06B 3/9647  
See application file for complete search history.

**References Cited**

**U.S. PATENT DOCUMENTS**

2,024,192 A *	12/1935	Verhagen	.....	B61D 25/00
				D25/122
D98,067 S *	1/1936	Hendrickson	.....	D25/122
3,057,444 A	10/1962	Walberg		
3,082,849 A	3/1963	Keller		
3,380,210 A	4/1968	Neal		
3,566,561 A *	3/1971	Tozar	.....	E06B 3/9636
				D25/123

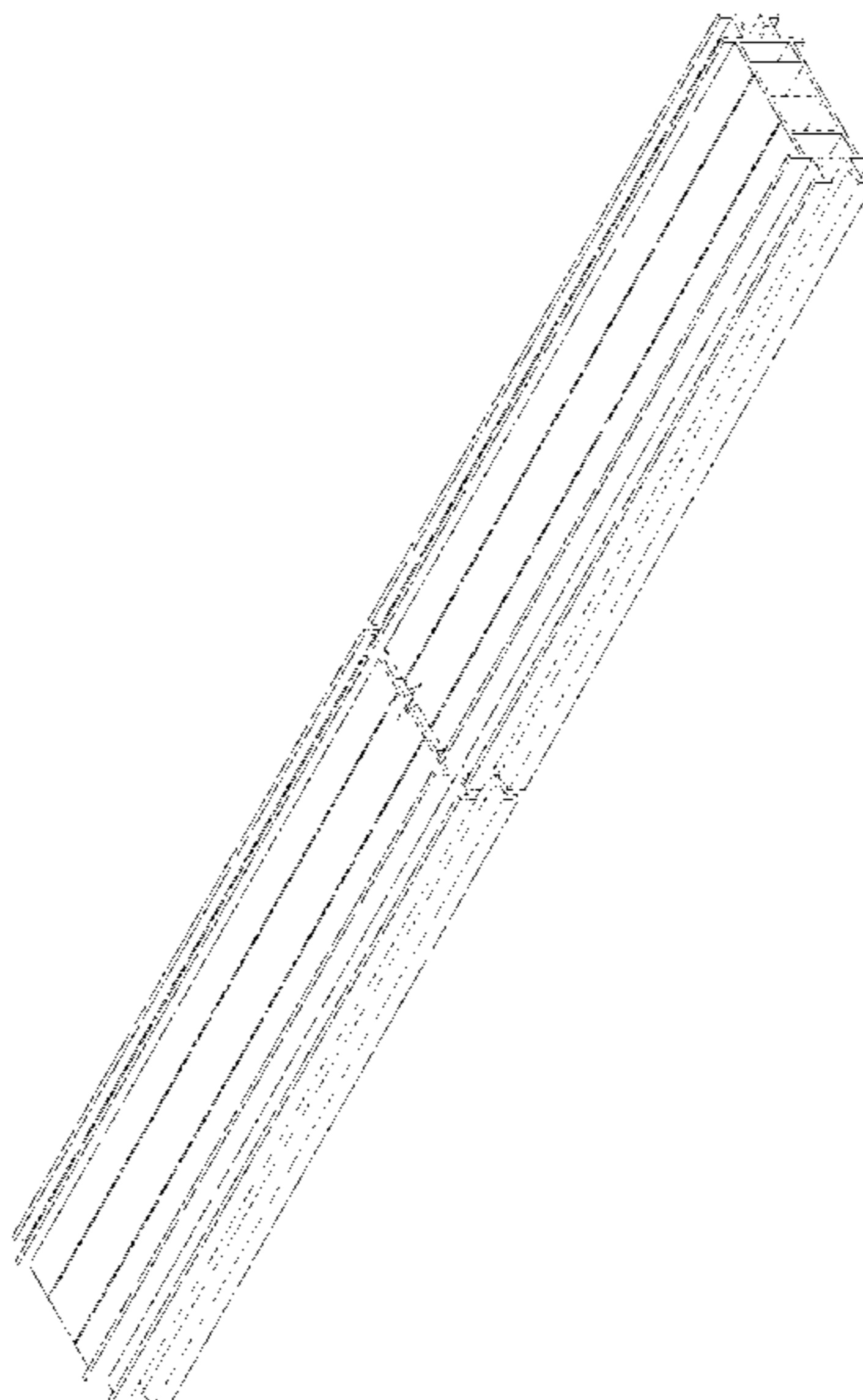
(57) **CLAIM**

The ornamental design for a mullion for a window, as shown and described.

**DESCRIPTION**

FIG. 1 is a top perspective view of a mullion for a window showing my new design;  
 FIG. 2 is a left side view thereof, the right side view being a mirror image;  
 FIG. 3 is an enlarged front view thereof, the rear view being a mirror image thereof; and,  
 FIG. 4 is a top view thereof, the bottom view being a mirror image.  
 The broken lines illustrate portions of the mullion for a window that form no part of the claimed design.  
 The mullion for a window is shown with a symbolic break in its length. The appearance of any portion of the mullion for a window between the break lines forms no part of the claimed design.

**1 Claim, 4 Drawing Sheets**



(56)

References Cited

U.S. PATENT DOCUMENTS

5,632,125 A 5/1997 Osanai  
 5,655,346 A 8/1997 Holmes et al.  
 5,678,383 A 10/1997 Danielewicz  
 D392,822 S 3/1998 Gilmore  
 D409,766 S \* 5/1999 Gabriele ..... D25/122  
 D410,552 S \* 6/1999 Gabriele ..... D25/122  
 5,937,597 A 8/1999 Sono et al.  
 D414,880 S \* 10/1999 Giese ..... D25/122  
 6,014,846 A 1/2000 Sono et al.  
 D423,116 S \* 4/2000 Gregori ..... D25/122  
 D431,658 S \* 10/2000 Gregori ..... D25/122  
 6,343,448 B1 2/2002 Lin  
 6,360,498 B1 3/2002 Westphal  
 6,405,504 B1 \* 6/2002 Richardson ..... E06B 1/36  
 52/211  
 D471,646 S 3/2003 Westphal  
 6,662,512 B2 12/2003 Westphal  
 D487,936 S 3/2004 Habeck  
 D494,042 S 8/2004 Wright

D513,966 S 1/2006 Wright  
 D536,822 S 2/2007 Pyschos  
 D537,537 S \* 2/2007 Antonie ..... D25/122  
 D557,431 S \* 12/2007 Simko ..... D25/122  
 7,434,364 B2 10/2008 MacDermott  
 D598,574 S \* 8/2009 Bergmann ..... D25/122  
 D616,568 S \* 5/2010 Desrosiers ..... D25/122  
 D662,613 S 6/2012 Williams  
 D666,309 S 8/2012 Zhao  
 D689,206 S \* 9/2013 Ellsworth ..... D25/125  
 D751,734 S \* 3/2016 Allen ..... D25/125  
 D752,774 S \* 3/2016 Van Der Woerd ..... D25/125  
 D782,105 S 3/2017 Klus  
 D789,180 S 6/2017 Webb  
 D789,181 S 6/2017 Webb  
 9,766,045 B2 9/2017 Fultz et al.  
 D846,157 S \* 4/2019 Luvison ..... D25/123  
 D850,657 S \* 6/2019 Luvison ..... D25/123  
 10,526,834 B2 \* 1/2020 Luvison ..... E06B 1/524  
 2003/0126812 A1 7/2003 Folsom et al.  
 2008/0295425 A1 12/2008 Farag  
 2019/0093416 A1 \* 3/2019 Luvison ..... E04B 2/967

\* cited by examiner

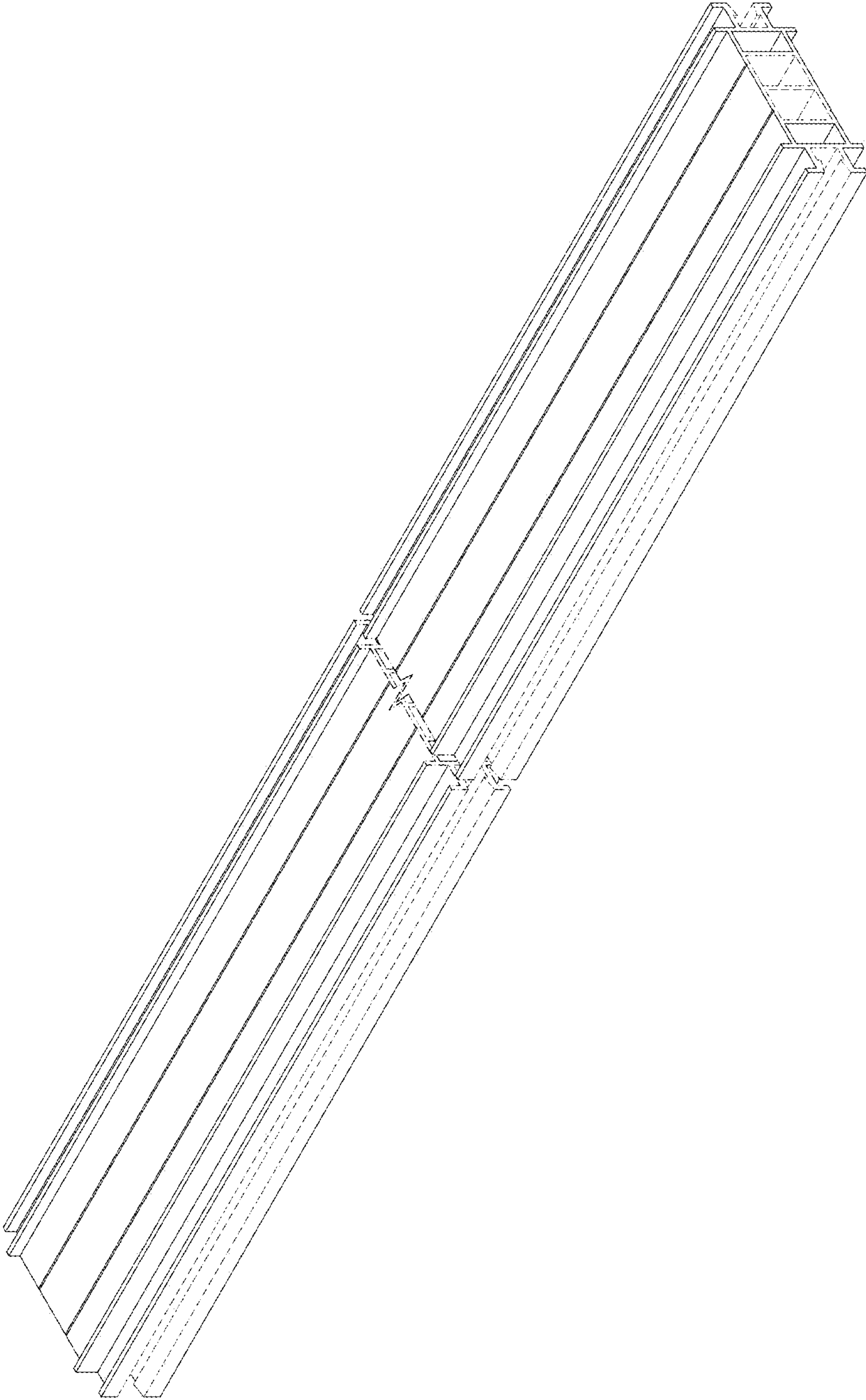


FIG. 1

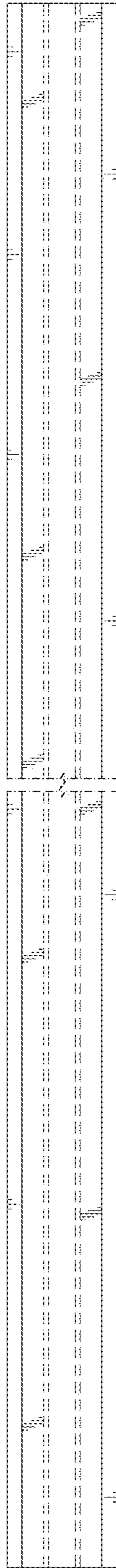
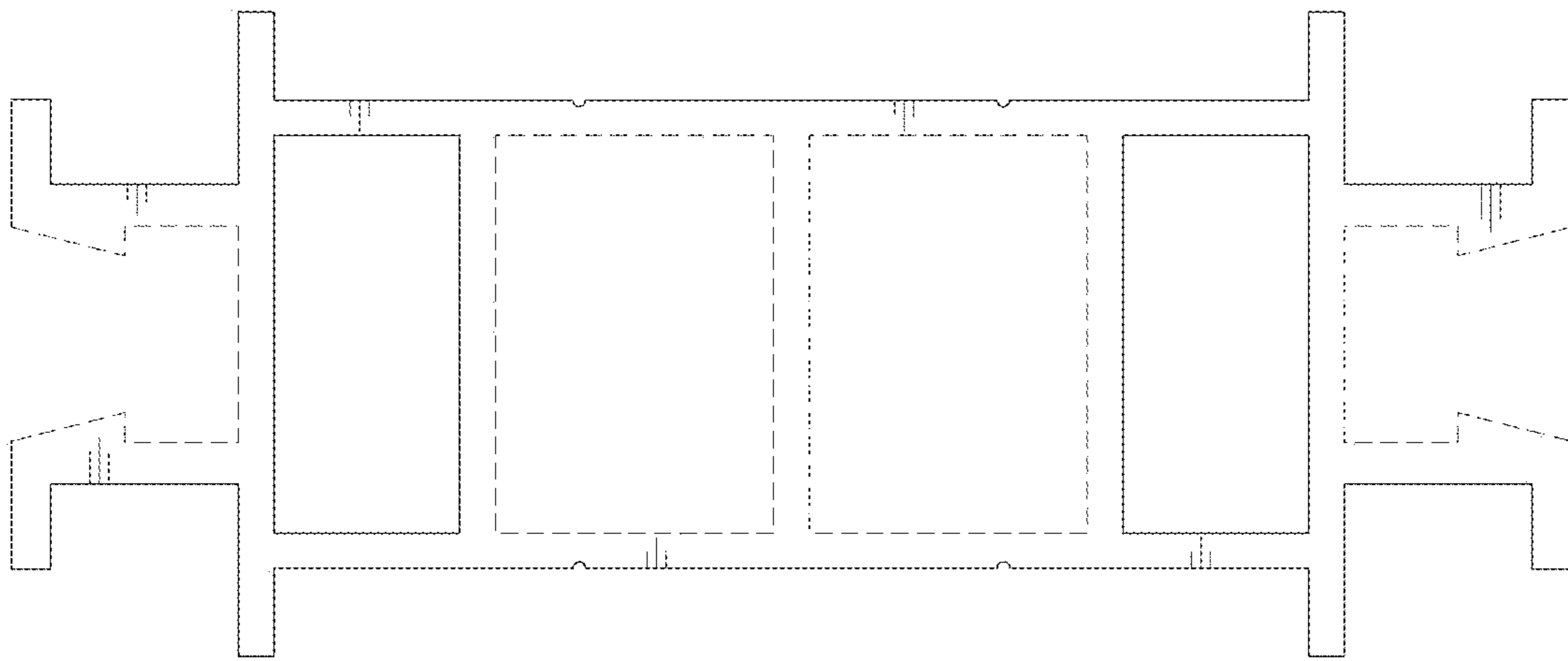


FIG. 2



*FIG. 3*

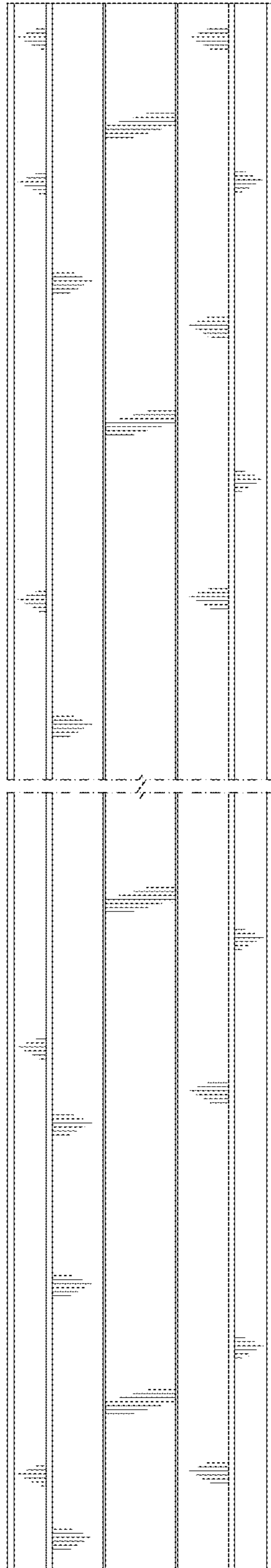


FIG. 4