



US00D924438S

(12) **United States Design Patent**
Zabala

(10) **Patent No.:** **US D924,438 S**

(45) **Date of Patent:** **** Jul. 6, 2021**

(54) **COVE SYSTEM**

(71) Applicant: **Mark Zabala**, Hollister, CA (US)

(72) Inventor: **Mark Zabala**, Hollister, CA (US)

(**) Term: **15 Years**

(21) Appl. No.: **29/690,491**

(22) Filed: **May 8, 2019**

(51) **LOC (13) Cl.** **25-01**

(52) **U.S. Cl.**

USPC **D25/123**; D25/136

(58) **Field of Classification Search**

USPC D25/119–123, 136, 137, 138, 164, 199;
D8/354, 376, 377, 382, 403; D26/138

CPC E04F 19/02; E04F 19/026; E04F 19/04;
E04F 19/0436; E04F 19/0463; E04F
19/0481; E04F 19/0486; E04F 19/061;
E04F 19/065; E04F 19/066; E04F 13/06;
E04F 13/22; E04F 13/24; E04F 13/26

See application file for complete search history.

(56) **References Cited**

U.S. PATENT DOCUMENTS

3,248,838	A *	5/1966	Stark	E04F 13/0803 52/489.2
3,263,385	A *	8/1966	Pauls	E04F 19/065 52/461
3,286,422	A *	11/1966	Pangerl	E04F 19/0463 52/288.1
4,156,300	A *	5/1979	Jarjavail	E04F 19/066 16/5
6,588,165	B1 *	7/2003	Wright	E04F 19/06 52/459
D536,604	S *	2/2007	Folkema	D8/382
D794,423	S *	8/2017	Moon	D8/349
2002/0050109	A1 *	5/2002	Grosjean	E04F 19/066 52/393

2005/0188628	A1 *	9/2005	Sondermann	E04F 19/066 52/179
2006/0272269	A1 *	12/2006	Bannister	E04F 19/02 52/718.01
2006/0283117	A1 *	12/2006	Williams	E04F 19/065 52/393
2007/0175147	A1 *	8/2007	Fiedler	E04F 19/066 52/466
2007/0199275	A1 *	8/2007	Kurz	E04F 19/066 52/716.1
2008/0092470	A1 *	4/2008	Jackson	E04F 19/0436 52/288.1

(Continued)

Primary Examiner — Llorelys Martinez

(57) **CLAIM**

The ornamental design for a cove system, as shown and described.

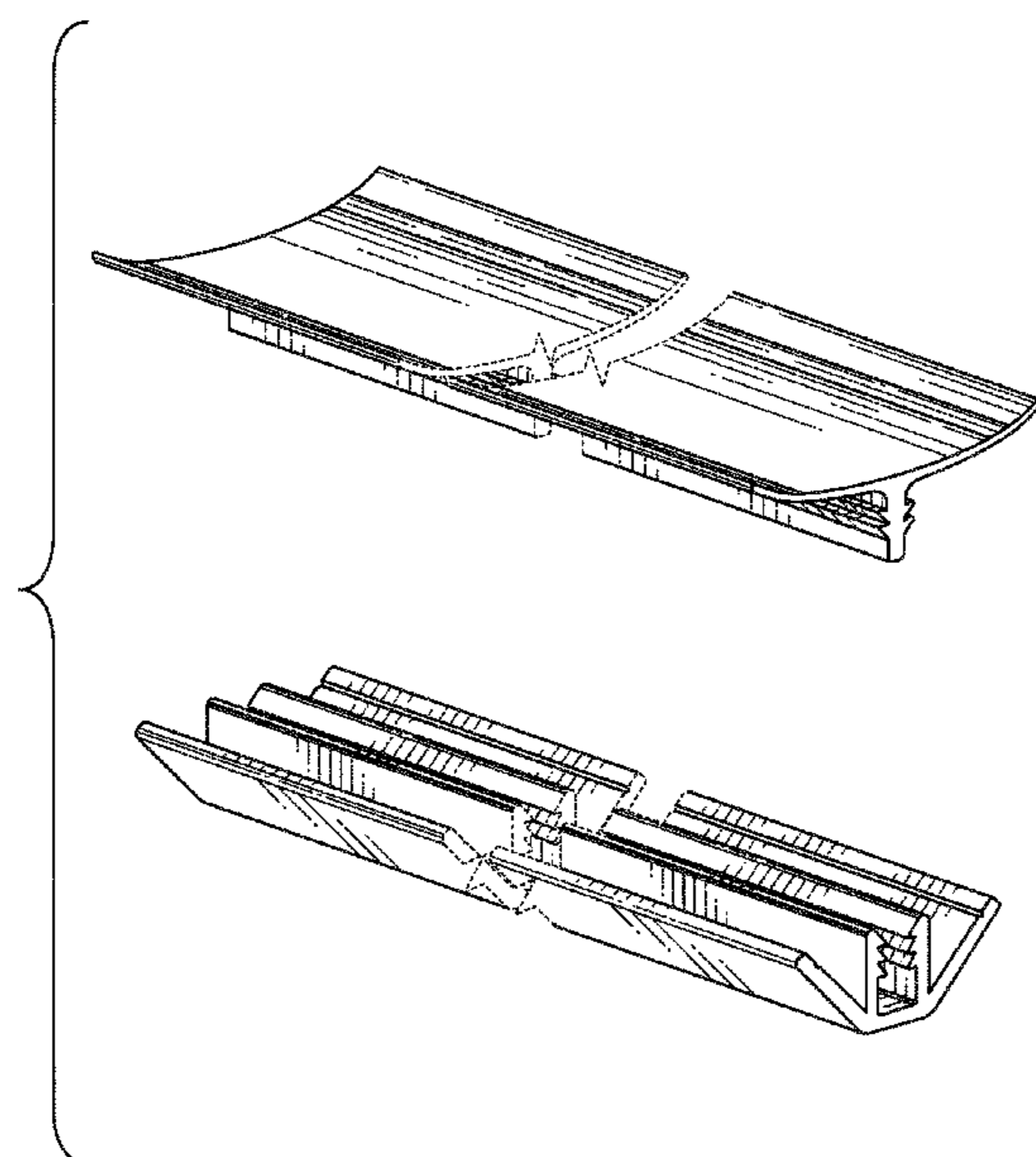
DESCRIPTION

FIG. 1 is a top-front-left exploded view of a cove system shown broken away for indeterminate length, that being the only difference from the embodiment shown in FIGS. 1 through 2, FIGS. 4 through 8, and FIGS. 10 through 12; FIG. 2 is a bottom-rear-right exploded bottom front view thereof;

FIG. 3 is a front plan exploded view thereof; FIG. 4 is a side devotional exploded view thereof; FIG. 5 is a top plan exploded view thereof; FIG. 6 is a bottom plan exploded view thereof; FIG. 7 is a top perspective view thereof; FIG. 8 is a bottom perspective view thereof; FIG. 9 is a front elevational view thereof; FIG. 10 is a side elevational view thereof; FIG. 11 is a top plan view thereof; and, FIG. 12 is a bottom plan view thereof.

The universal cove system is shown with a symbolic break in its length. The appearance of any portion of the article between the break lines forms no part of the claimed design.

1 Claim, 12 Drawing Sheets



(56)

References Cited

U.S. PATENT DOCUMENTS

2008/0115441 A1* 5/2008 Sondermann E04F 19/066
52/395
2008/0263983 A1* 10/2008 Stanchfield E04F 19/066
52/459
2009/0077922 A1* 3/2009 Pettine E04F 19/02
52/698
2009/0139167 A1* 6/2009 Donaldson E04F 19/064
52/272
2009/0293392 A1* 12/2009 Dykstra E04F 19/0436
52/288.1
2010/0031596 A1* 2/2010 Muehlebach E04F 19/066
52/466
2010/0058696 A1* 3/2010 Mills E04F 19/066
52/396.05
2010/0083599 A1* 4/2010 Meulemans E04F 19/061
52/287.1
2011/0094174 A1* 4/2011 Meahl E04F 19/04
52/288.1
2014/0215940 A1* 8/2014 Neuhofer, Jr. E04F 19/066
52/287.1
2016/0305130 A1* 10/2016 Richardson E04F 19/0463
2016/0369496 A1* 12/2016 Farahmandpour .. E04F 13/0801
2017/0071416 A1* 3/2017 Seckler E04F 19/02
2017/0183879 A1* 6/2017 Rossi E04F 19/061
2017/0362819 A1* 12/2017 Sondermann E04F 19/066
2019/0048598 A1* 2/2019 Marinucci E04F 13/06

* cited by examiner

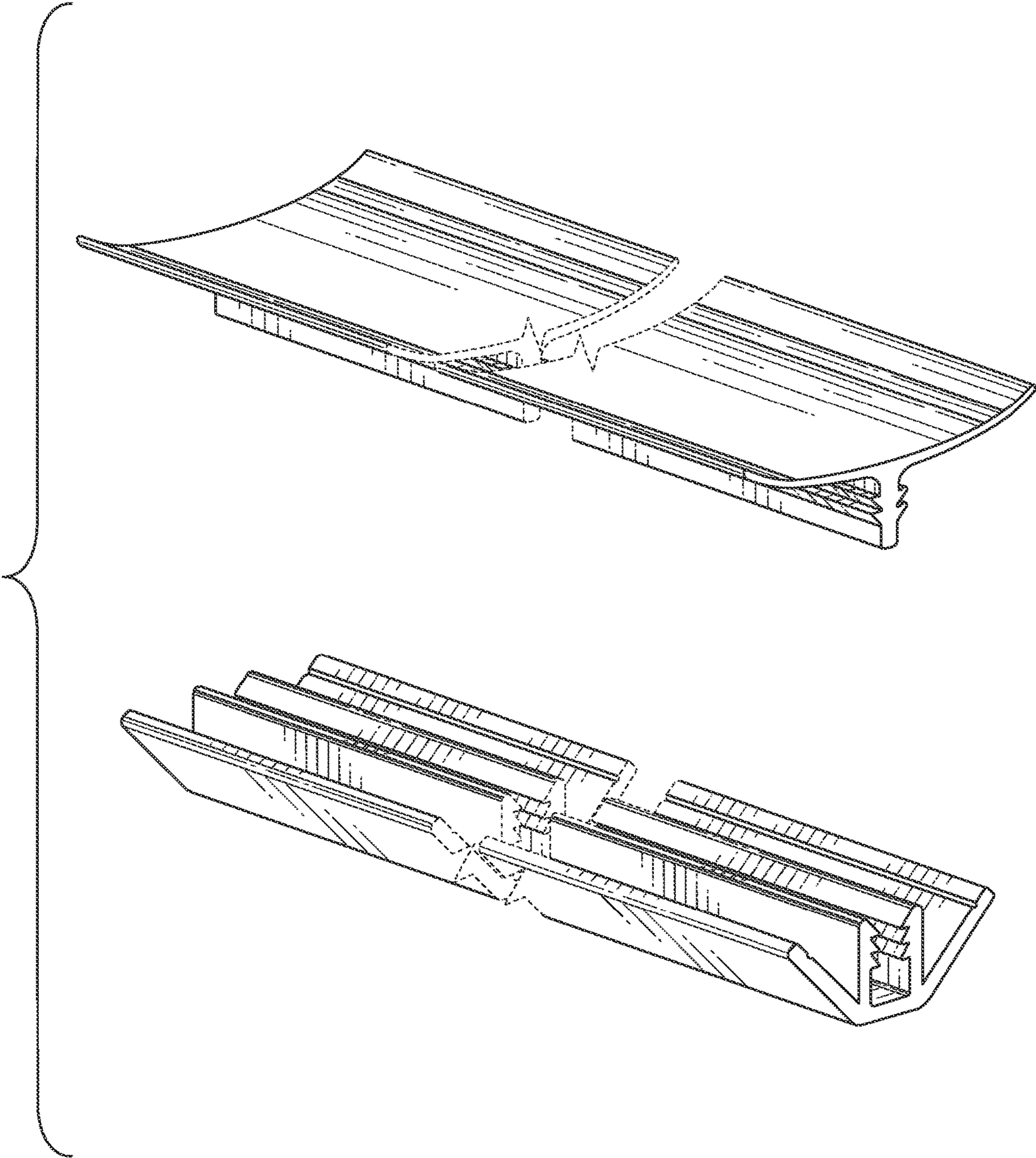


FIG. 1

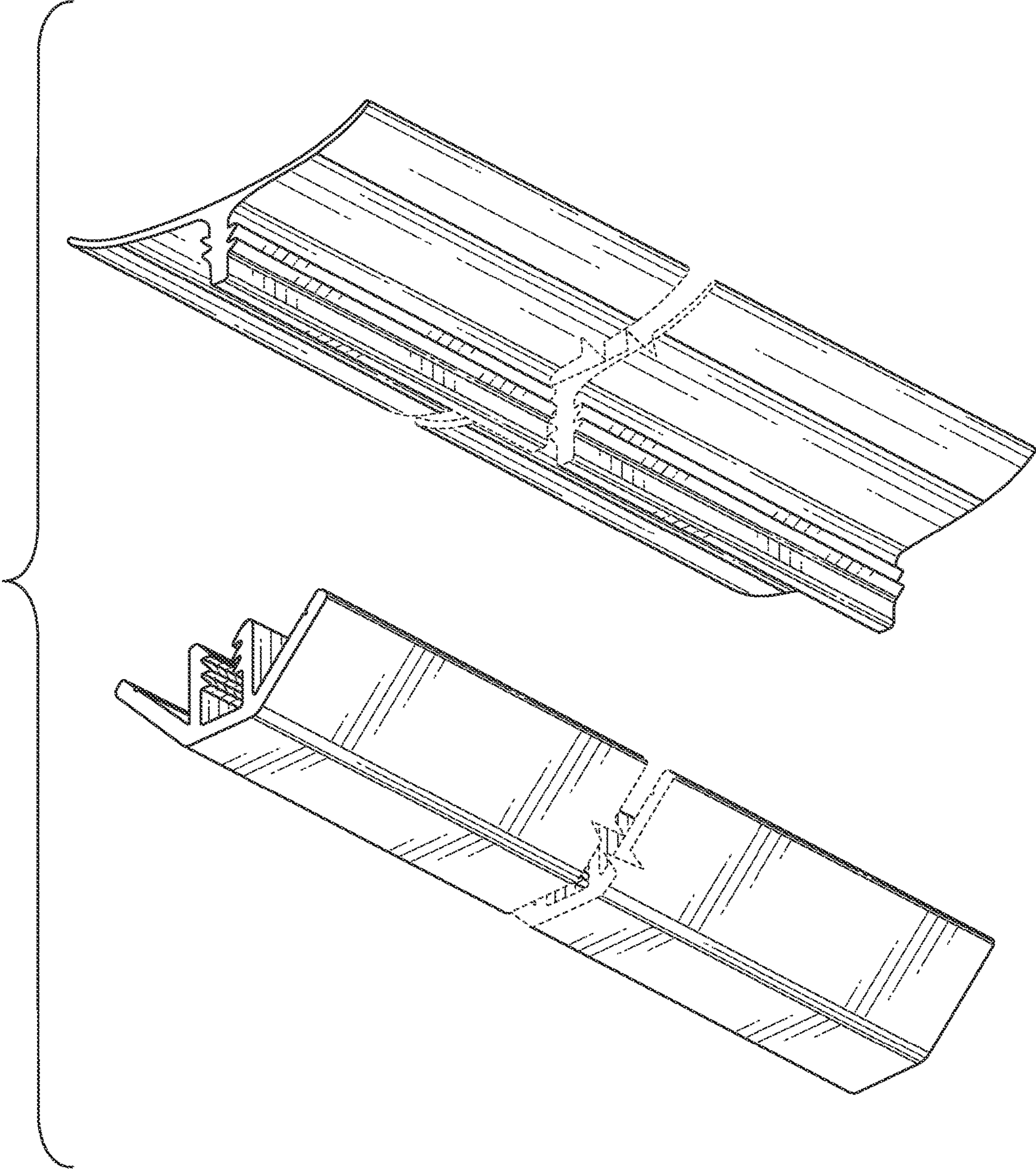


FIG. 2

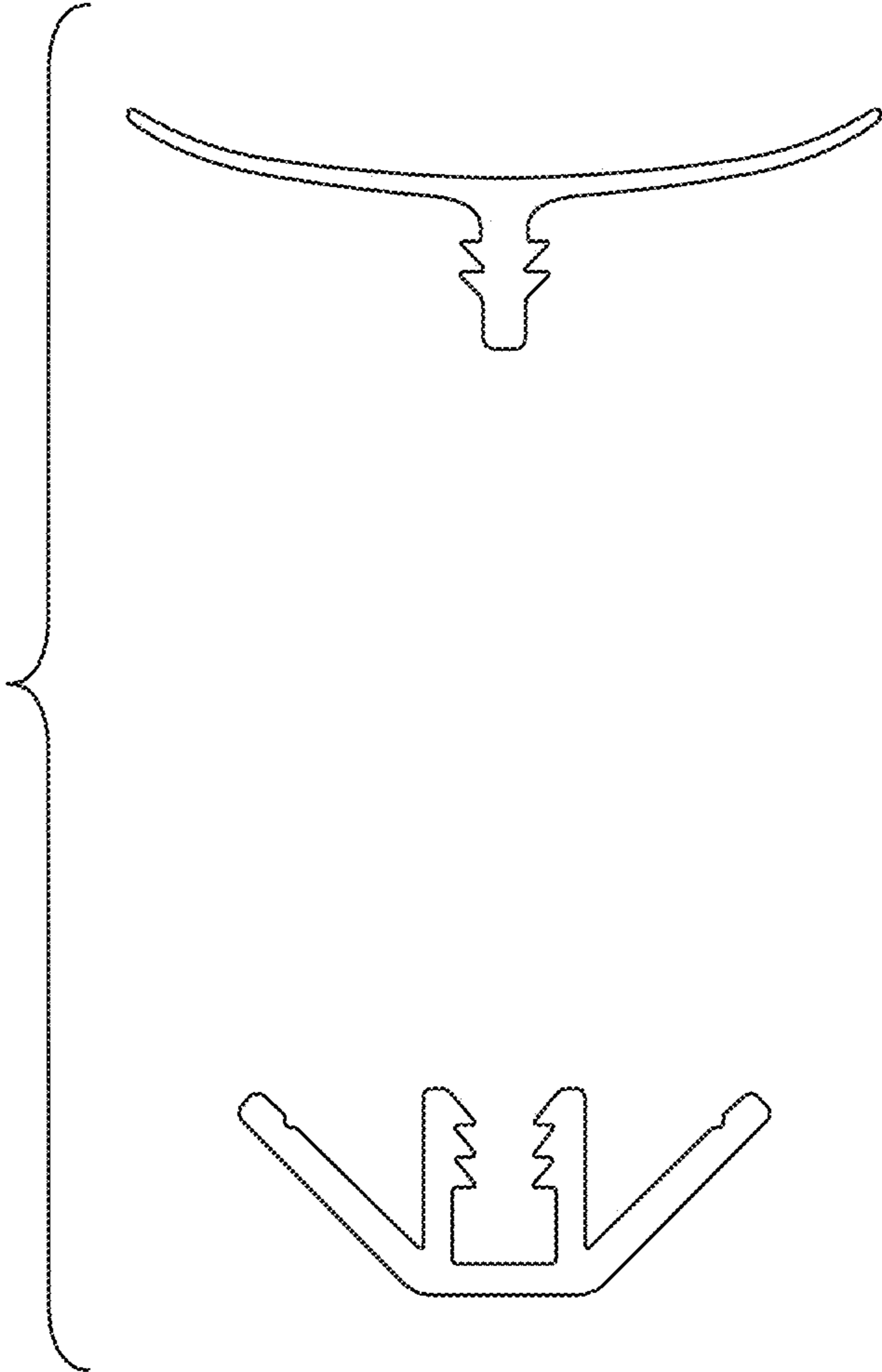


FIG. 3

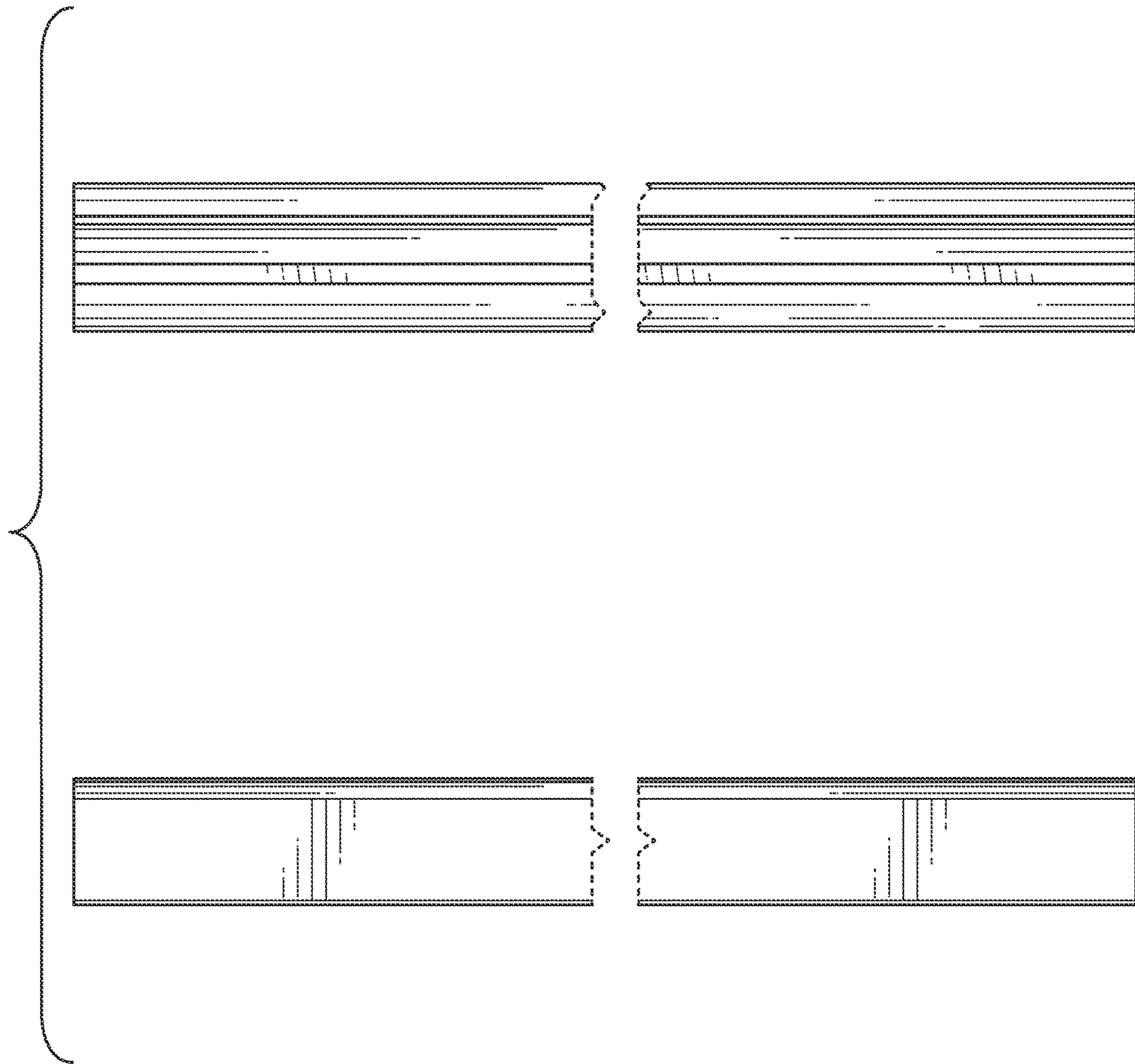


FIG. 4

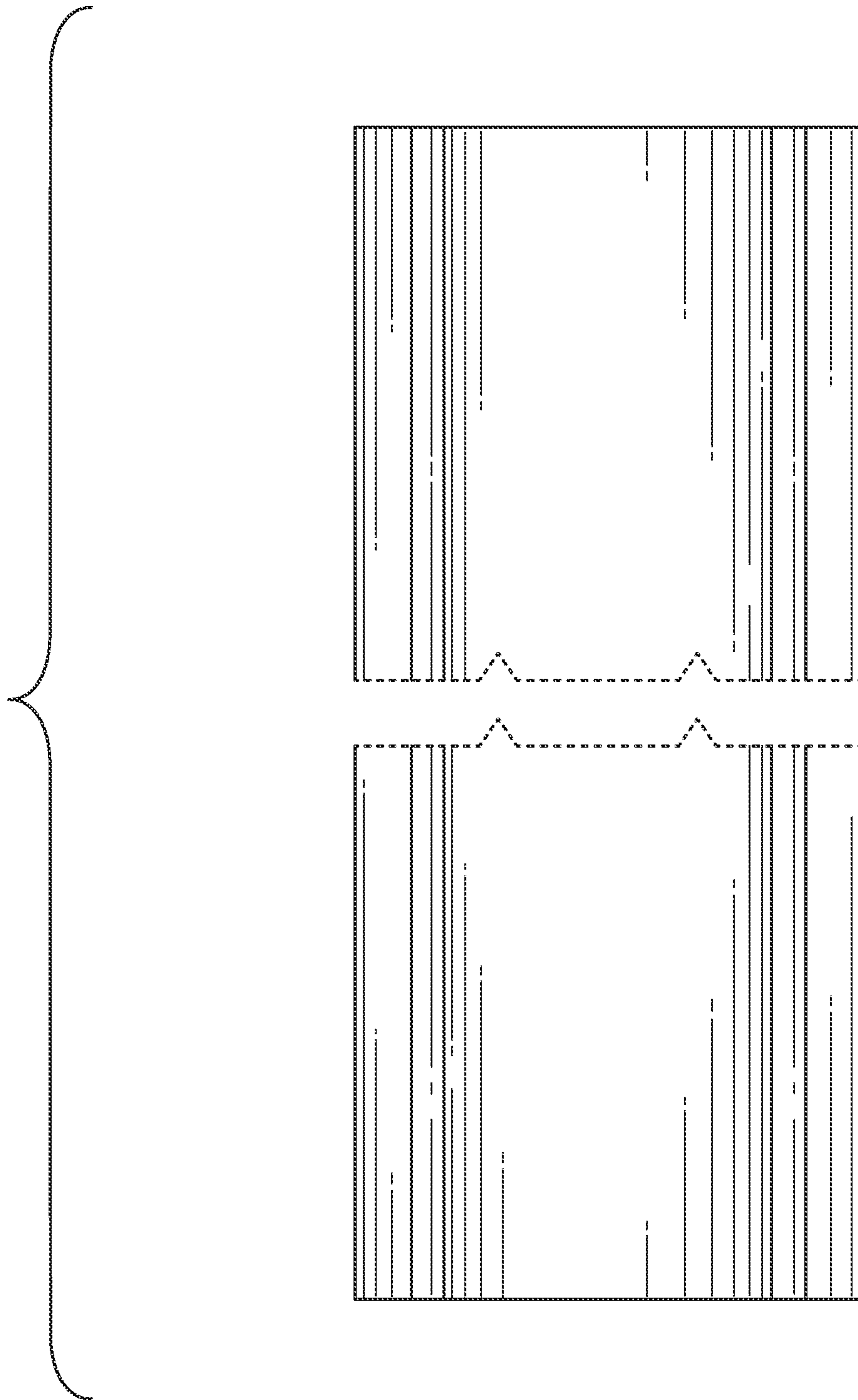


FIG. 5

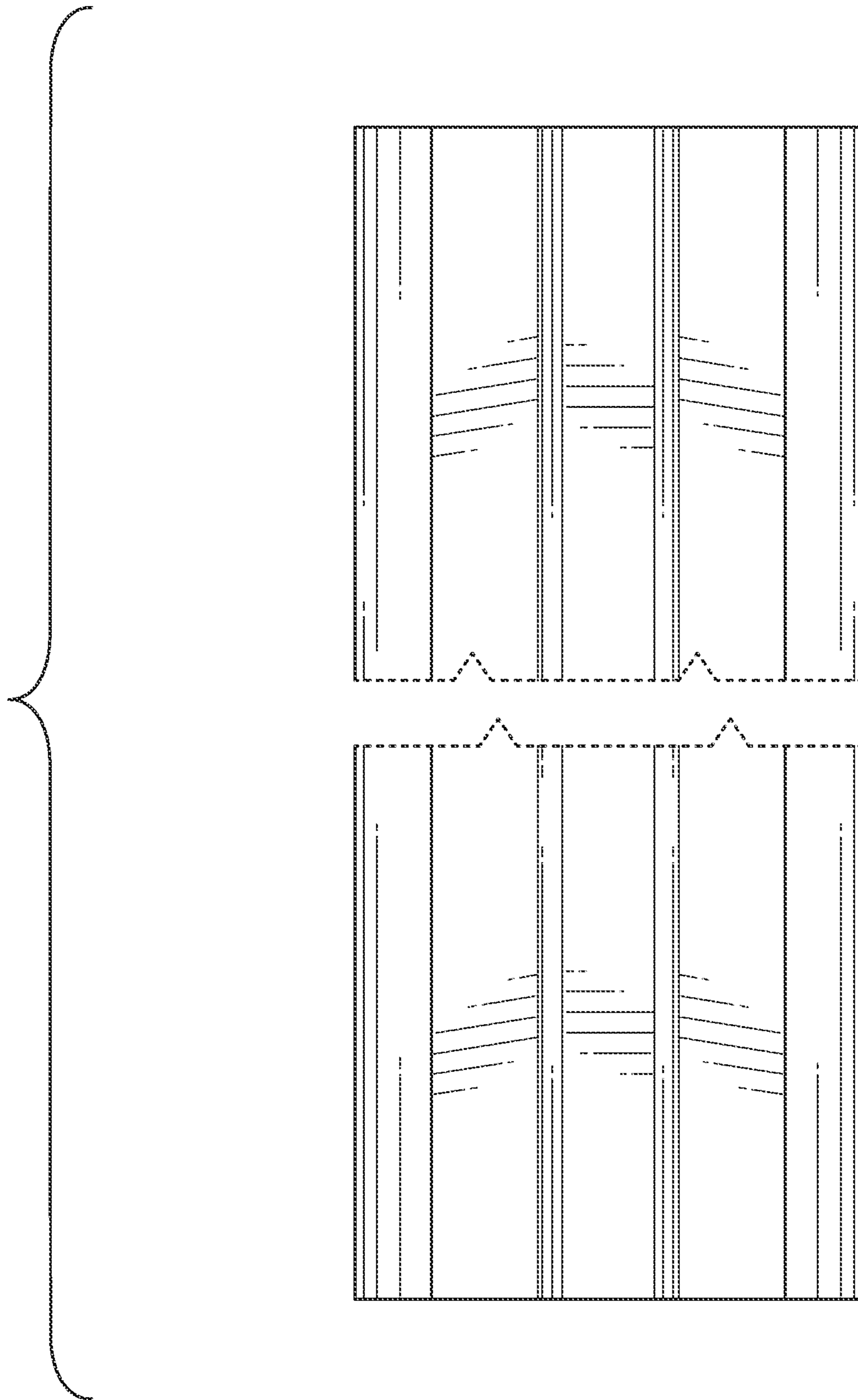


FIG. 6

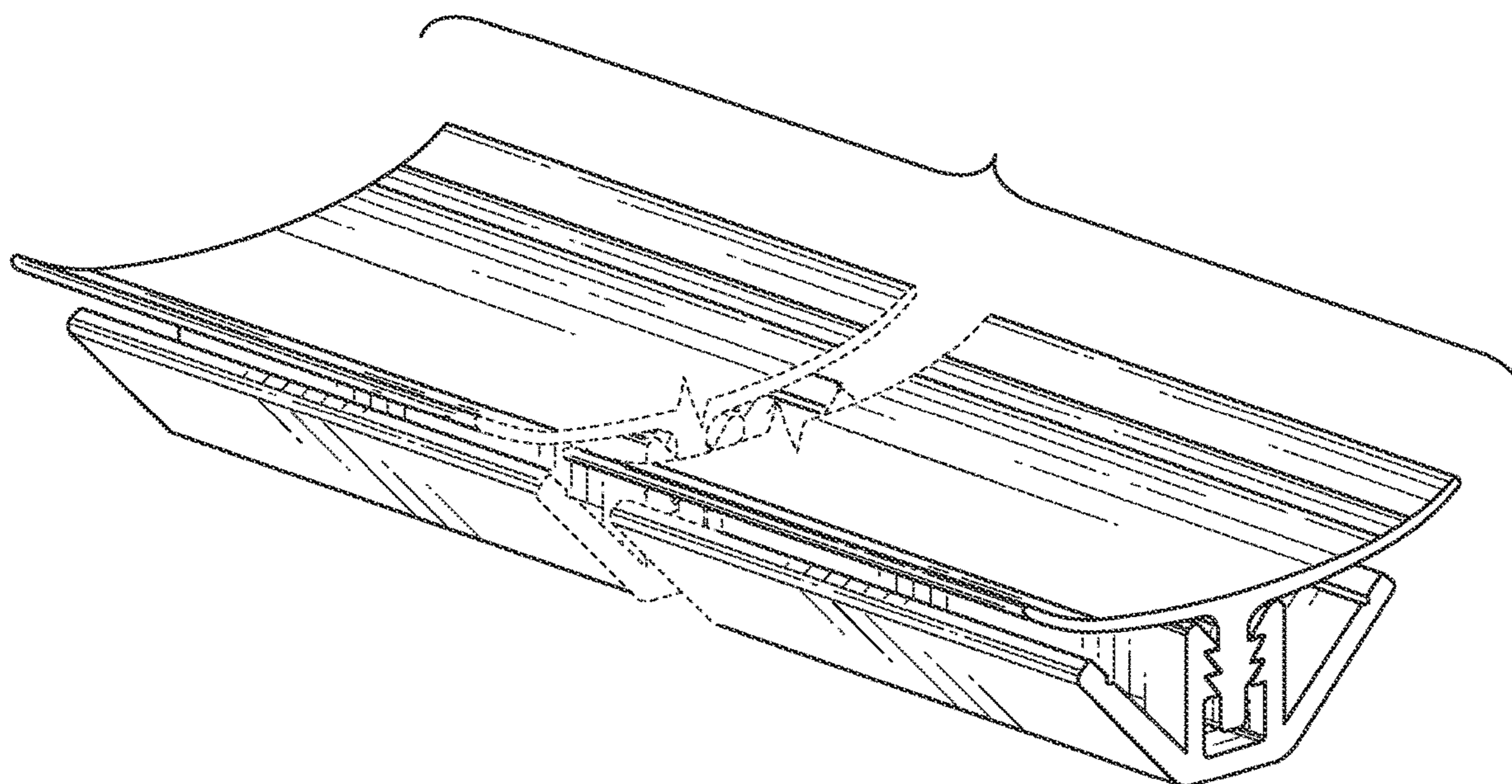


FIG. 7

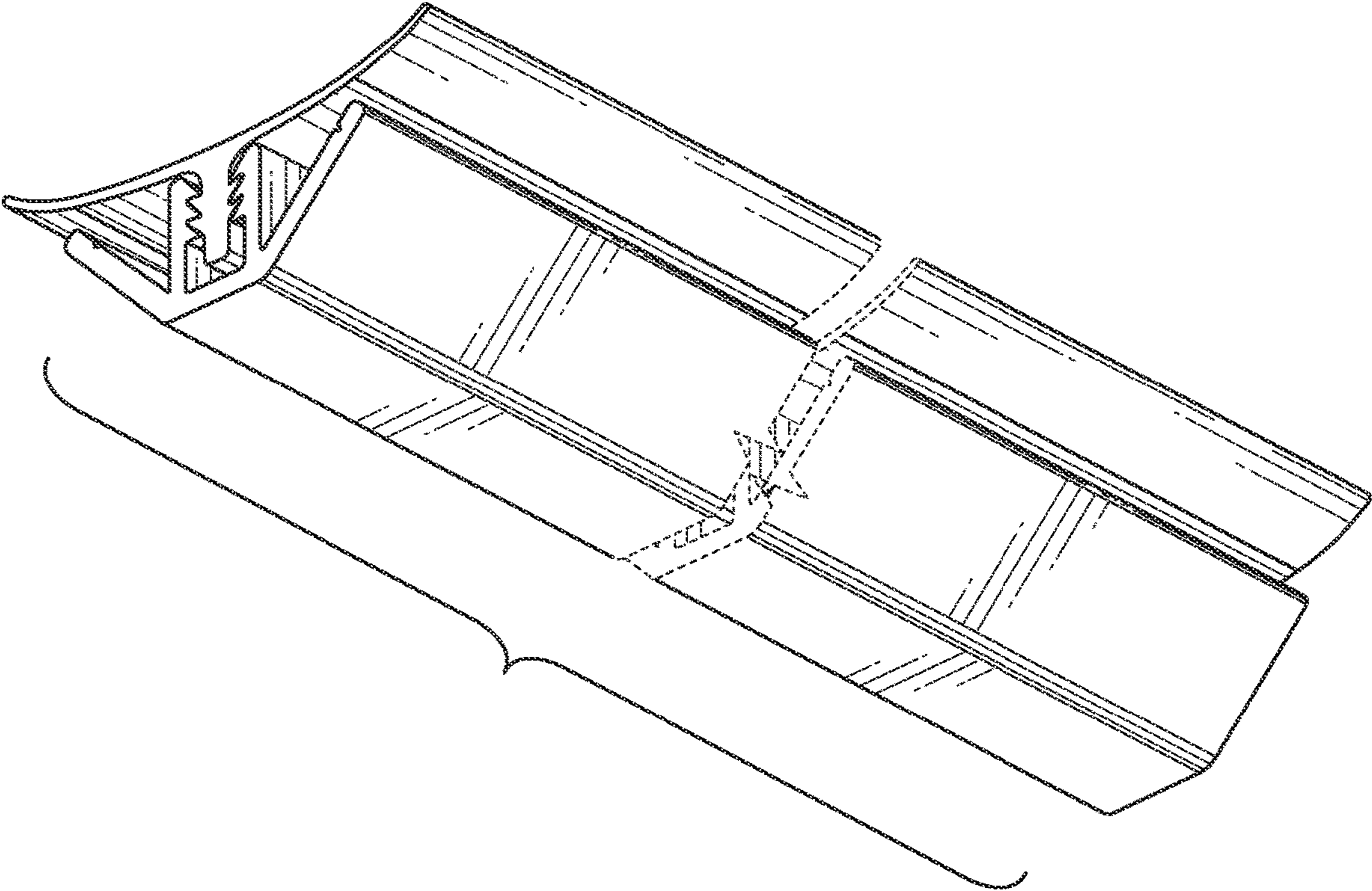


FIG. 8

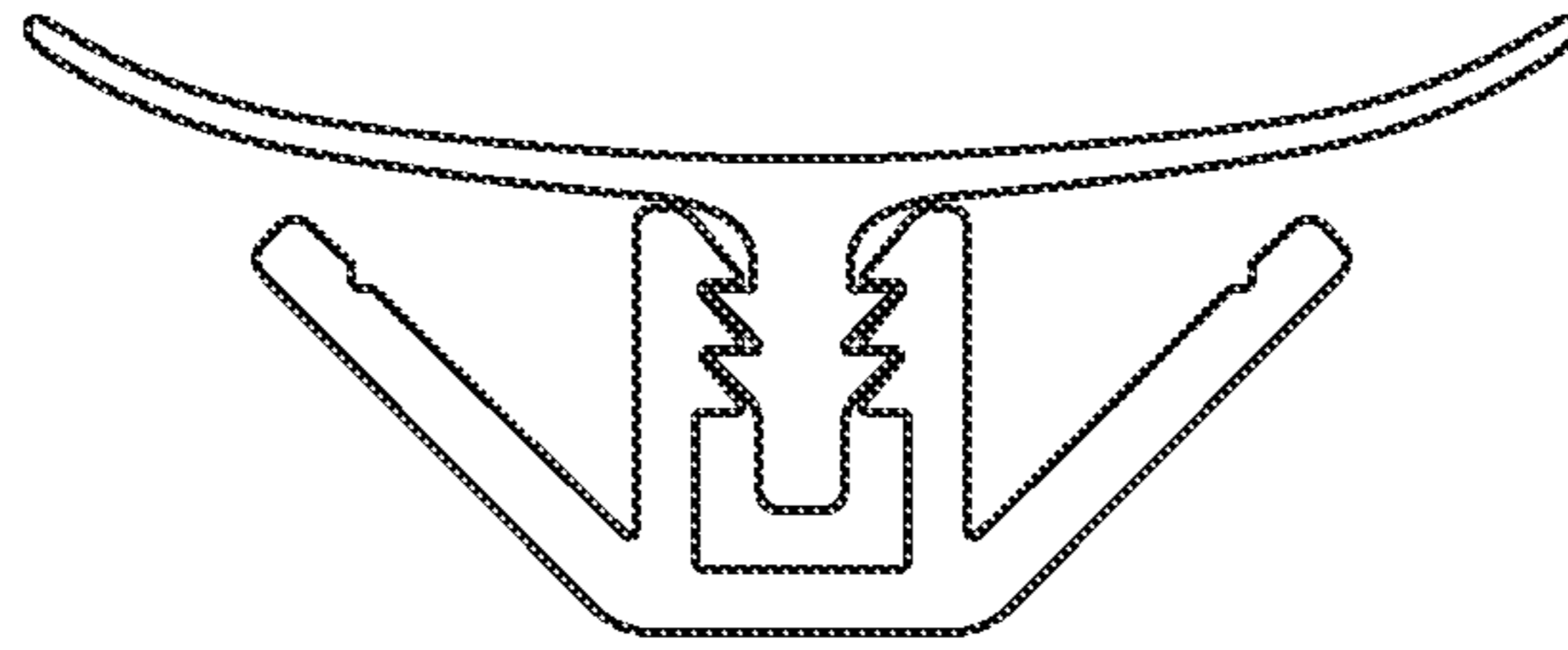


FIG. 9

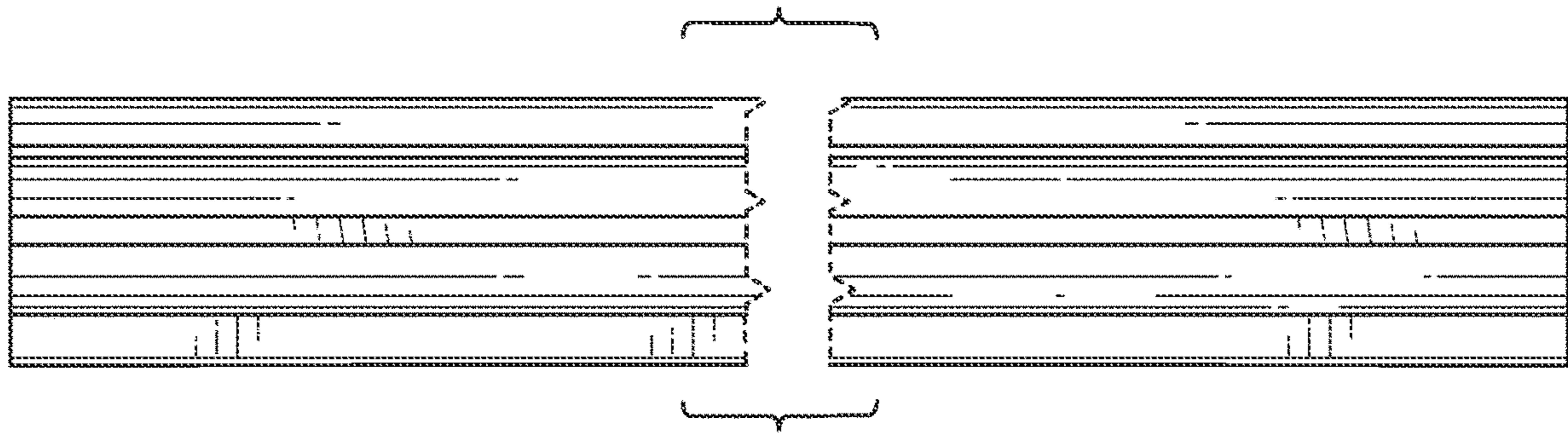


FIG. 10

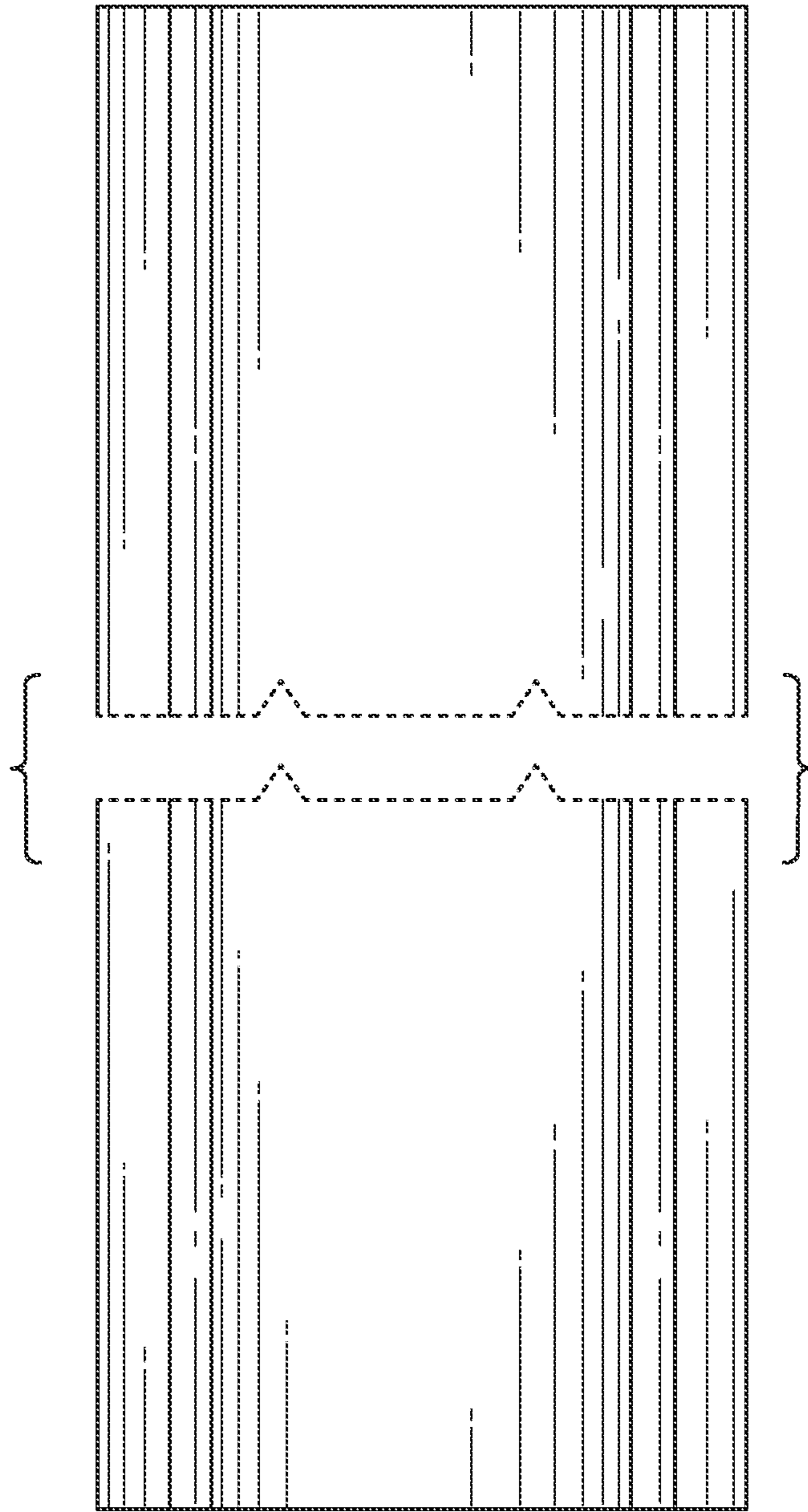


FIG. 11

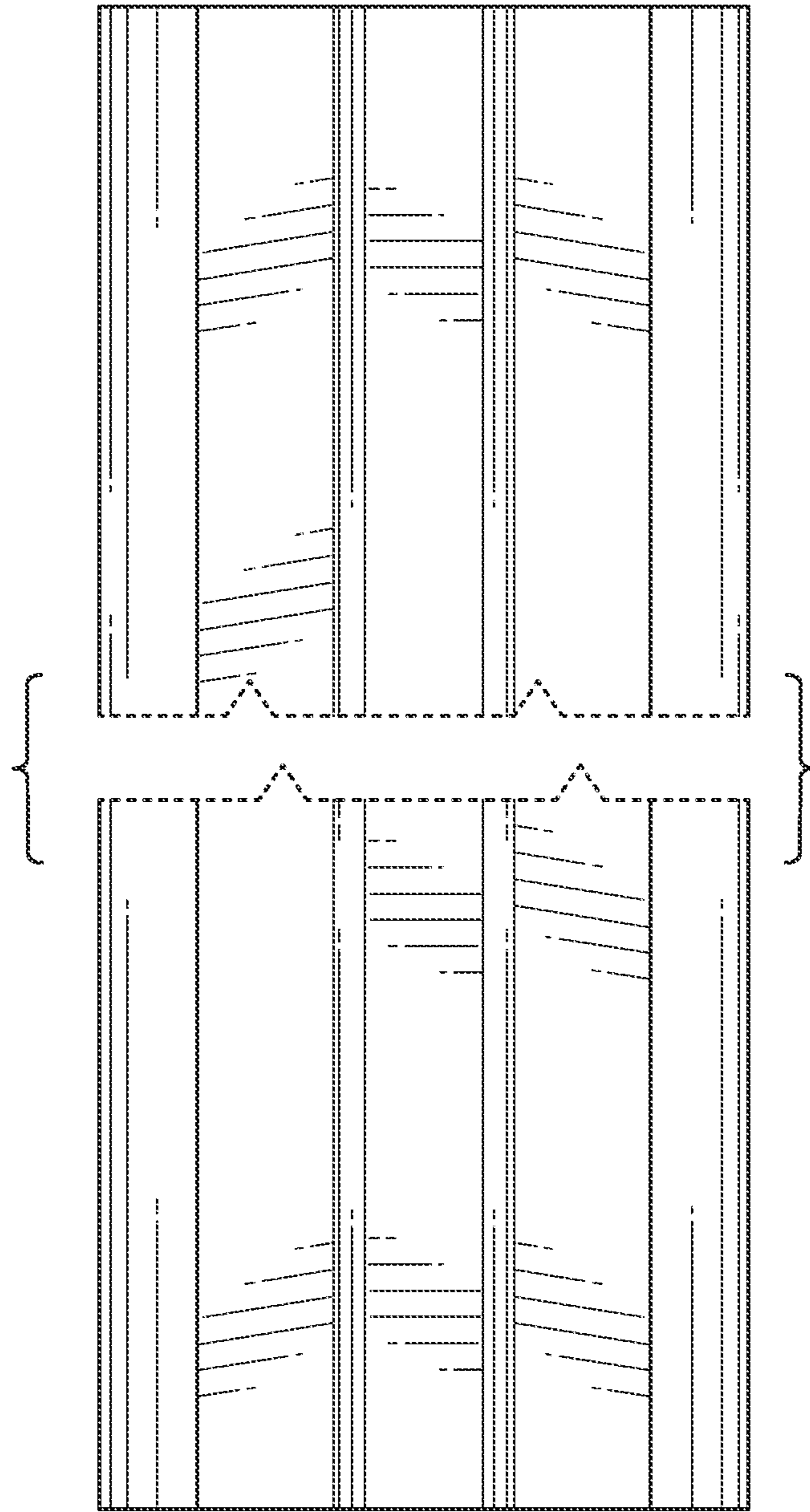


FIG. 12