



US00D924436S

(12) **United States Design Patent**  
**Pivac**

(10) **Patent No.:** **US D924,436 S**  
(45) **Date of Patent:** **\*\* Jul. 6, 2021**

(54) **BUILDING BLOCK**

(71) Applicant: **Fastbrick IP Pty Ltd**, High Wycombe (AU)  
(72) Inventor: **Mark Joseph Pivac**, Lesmurdie (AU)  
(73) Assignee: **Fastbrick IP Pty Ltd**, High Wycombe (AU)  
(\*\*) Term: **15 Years**  
(21) Appl. No.: **29/680,491**  
(22) Filed: **Feb. 15, 2019**

(30) **Foreign Application Priority Data**

Aug. 17, 2018 (AU) ..... 201814924

(51) **LOC (13) Cl.** ..... **25-01**  
(52) **U.S. Cl.**  
USPC ..... **D25/114**

(58) **Field of Classification Search**

USPC ..... D21/484-891, 499-504; D25/102, D25/112-118, 125, 136  
CPC ..... E02D 29/0233; E02D 29/025; E02D 29/0266; E04B 2/04; E04B 2/14; E04B 2/18; E04B 2/30; E04B 2/54; E04C 1/39  
See application file for complete search history.

(56) **References Cited**

**U.S. PATENT DOCUMENTS**

D855,835 S \* 8/2019 Pivac ..... D25/114  
D898,946 S \* 10/2020 Pivac ..... D25/118  
D898,948 S \* 10/2020 Pivac ..... D25/118  
2020/0270863 A1 \* 8/2020 Pivac ..... E04B 2/18

**FOREIGN PATENT DOCUMENTS**

CN 3517388 \* 4/2006  
CN 300844686 \* 10/2008  
CN 303340844 \* 8/2015

\* cited by examiner

*Primary Examiner* — Leanne Was-Englehart

(74) *Attorney, Agent, or Firm* — Christensen O'Connor Johnson Kindness PLLC

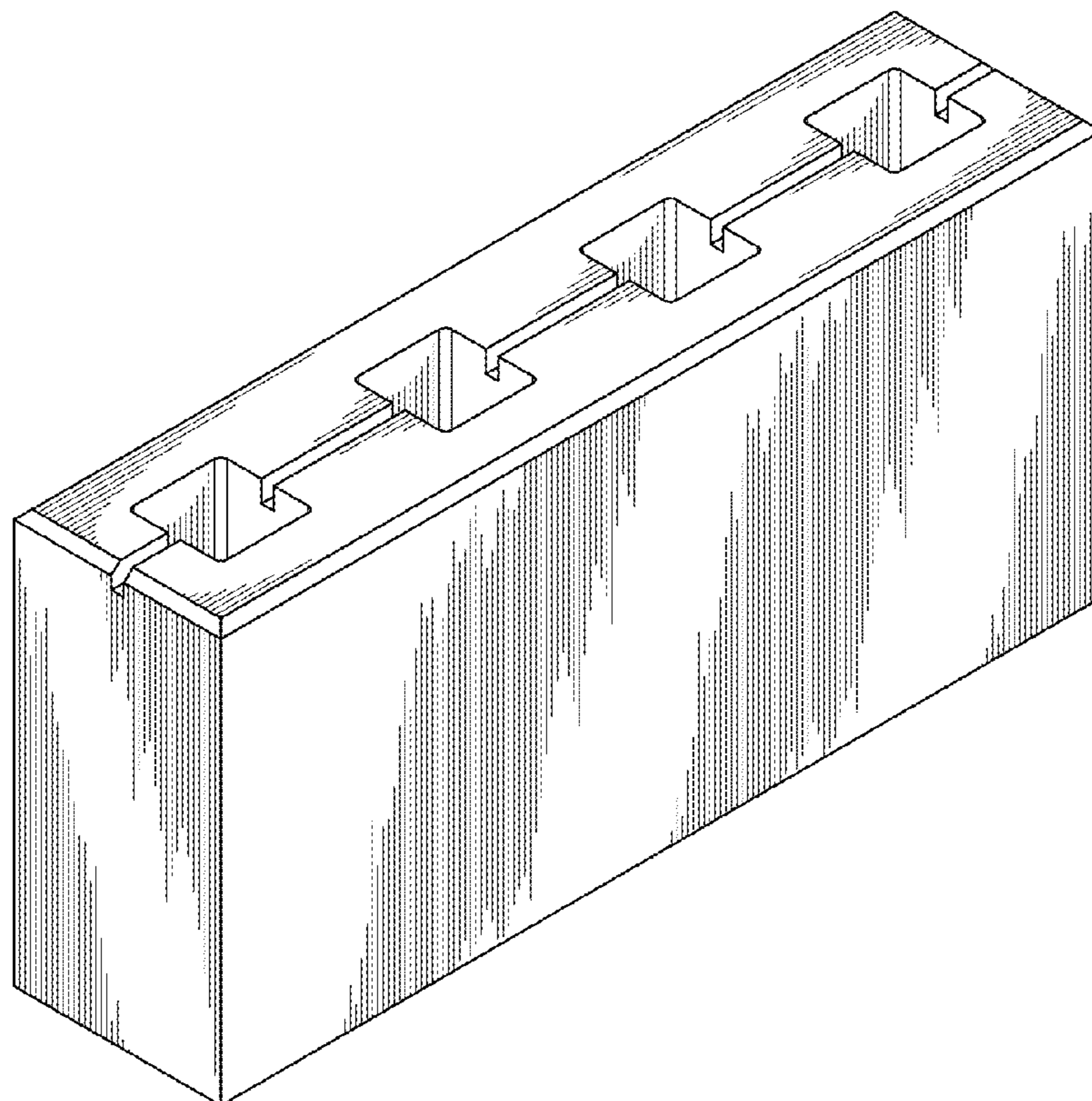
(57) **CLAIM**

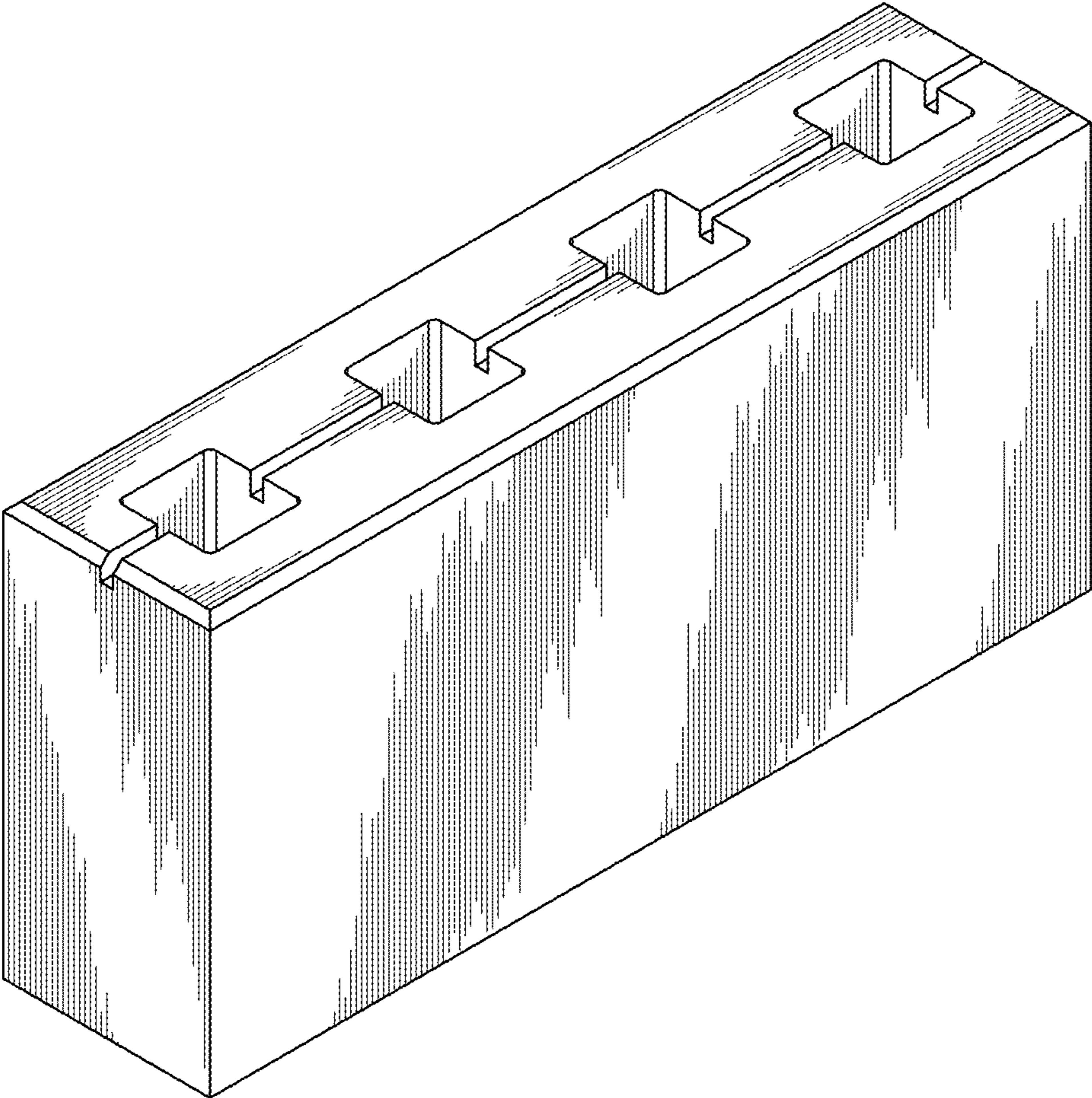
The ornamental design for a building block, as shown and described.

**DESCRIPTION**

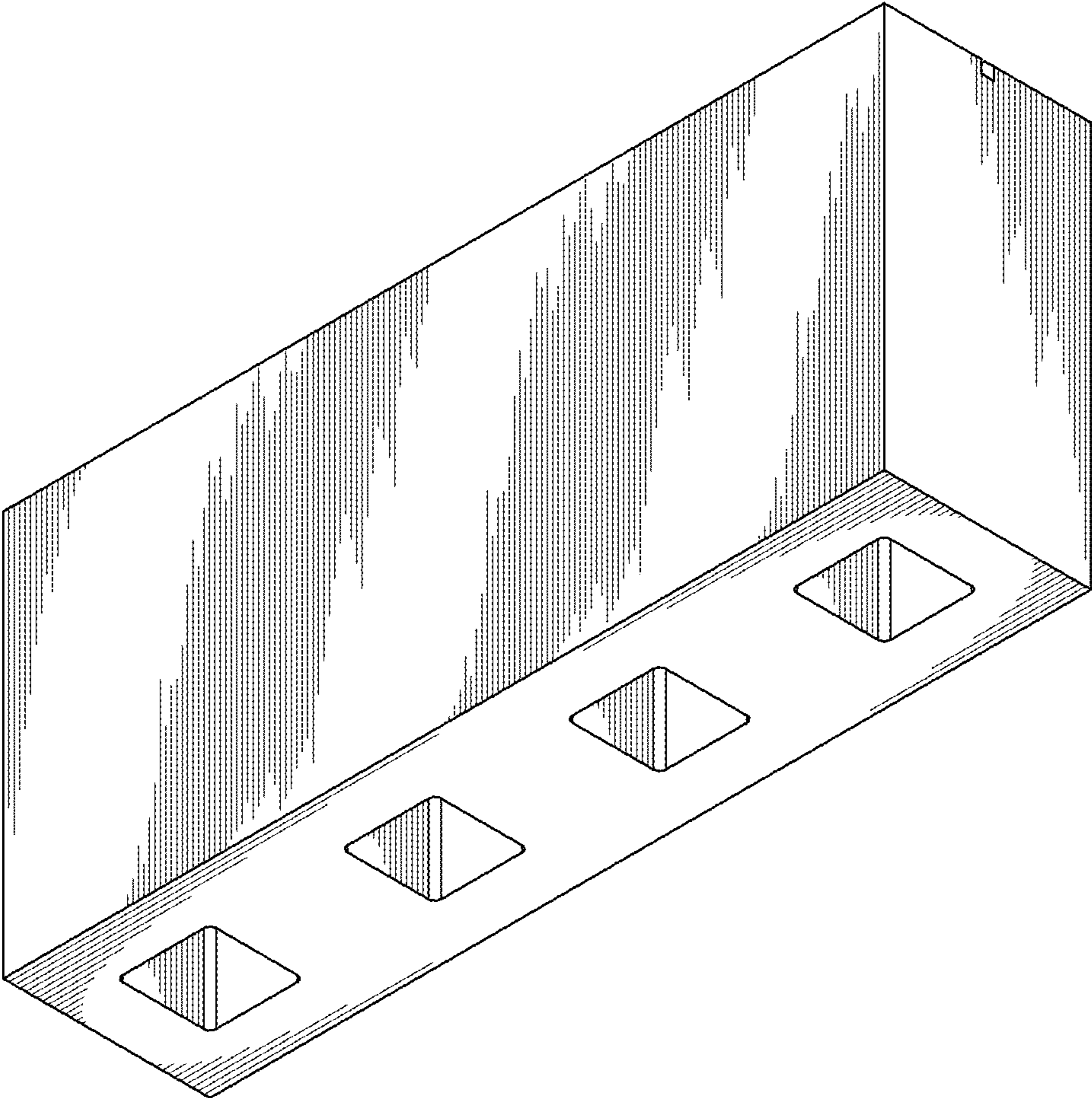
FIG. 1 is a top front right perspective view of a building block in accordance with my new design;  
FIG. 2 is a bottom front left perspective view thereof;  
FIG. 3 is a top plan view thereof;  
FIG. 4 is a bottom view thereof;  
FIG. 5 is a right elevation view thereof; and,  
FIG. 6 is a front elevation view thereof.

**1 Claim, 4 Drawing Sheets**

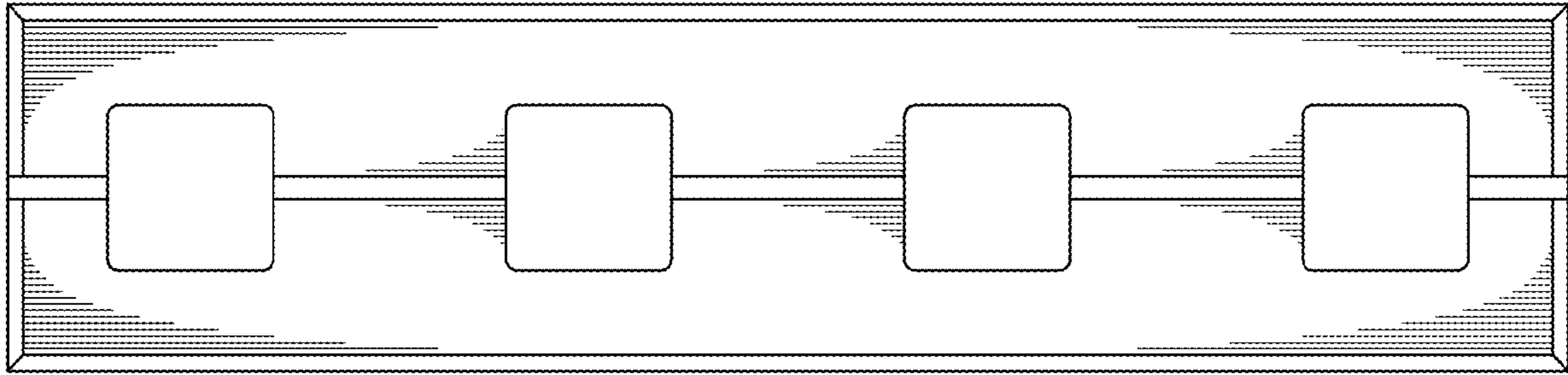




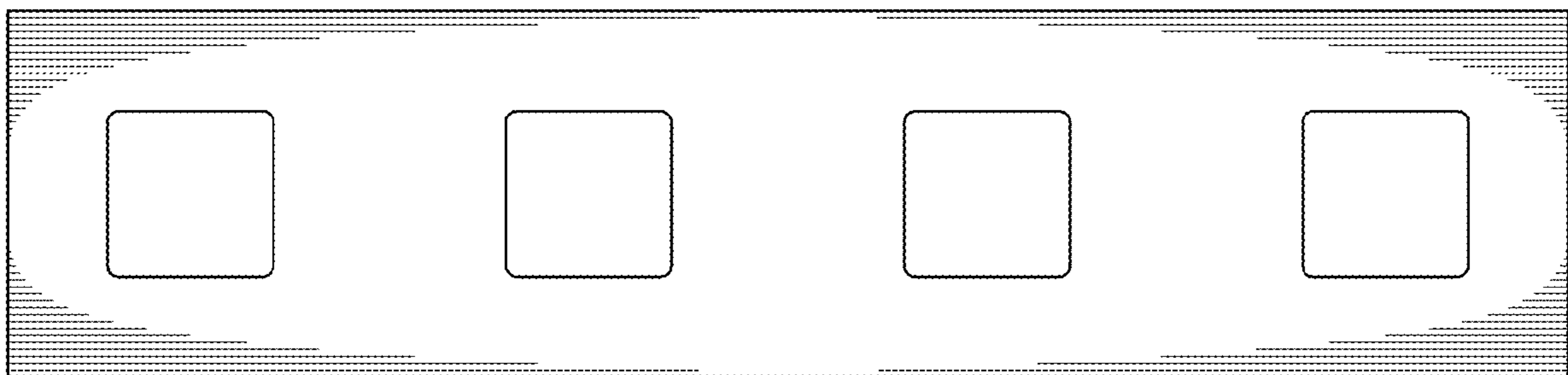
*Fig. 1.*



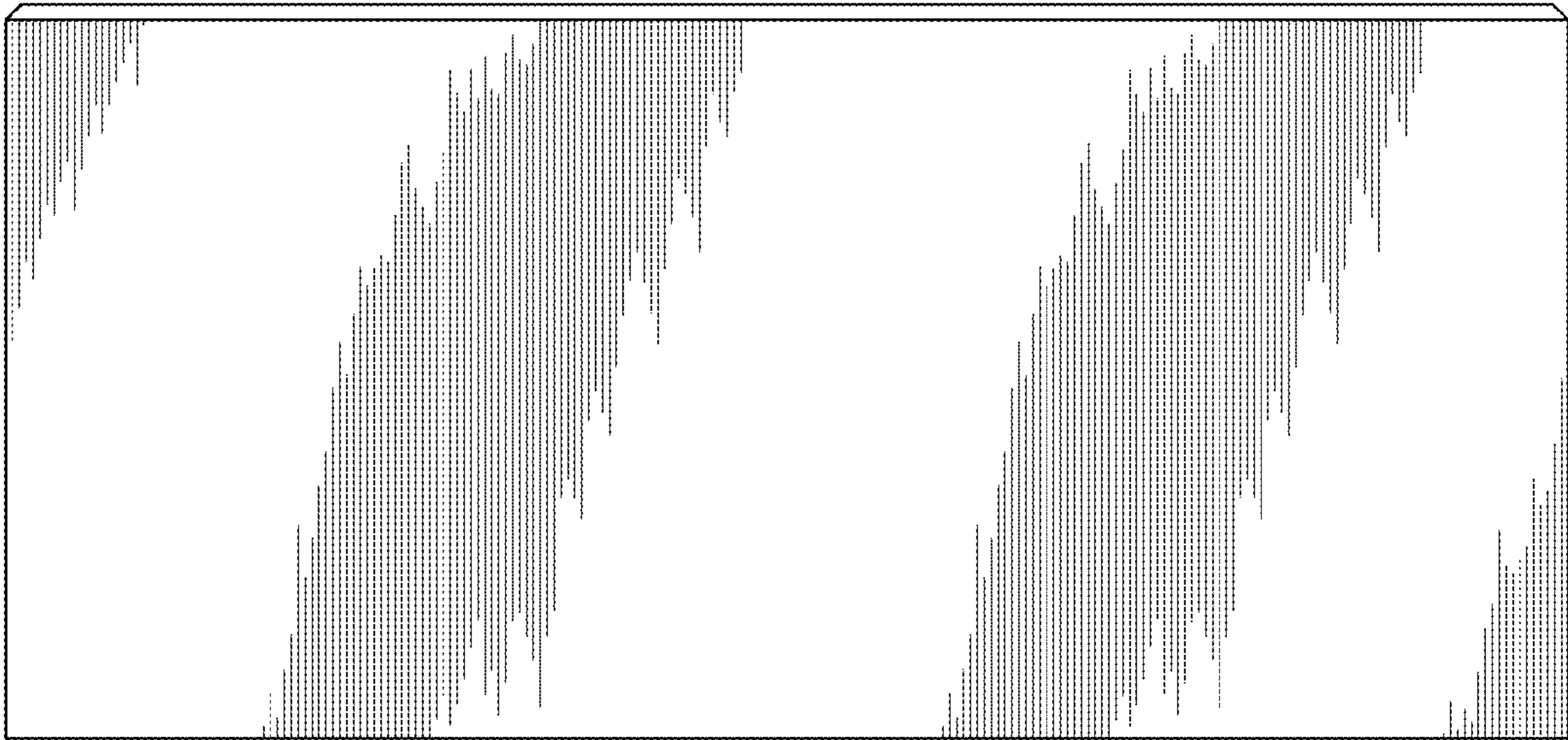
*Fig. 2.*



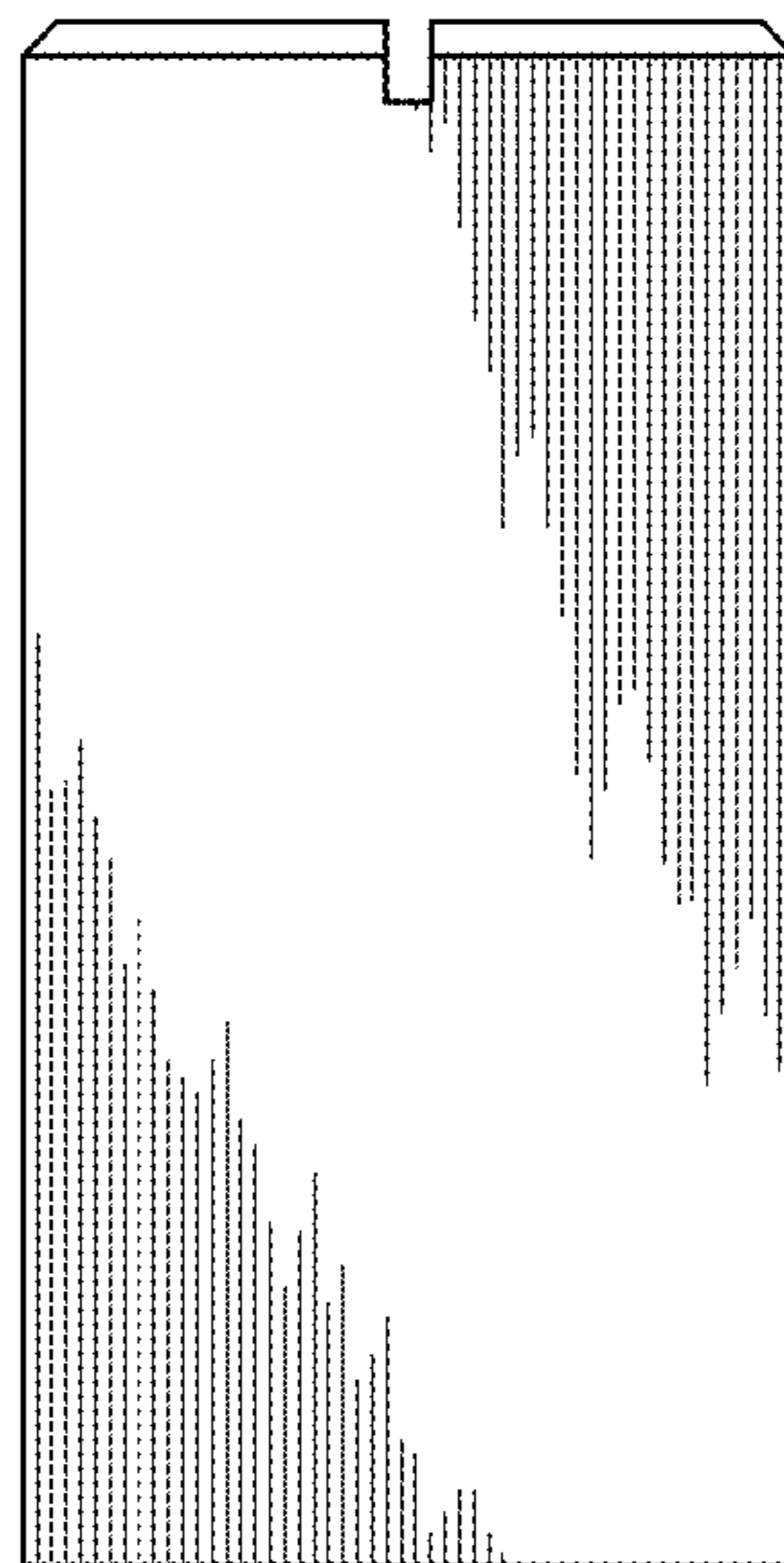
*Fig. 3.*



*Fig. 4.*



*Fig. 5.*



*Fig. 6.*