



US00D924434S

(12) **United States Design Patent** (10) **Patent No.:** **US D924,434 S**
Ye (45) **Date of Patent:** **** Jul. 6, 2021**

(54) **GATE BAR**
(71) Applicant: **NINGBO KONY METAL PRODUCTS CO., LTD**, Ningbo (CN)
(72) Inventor: **Jianlin Ye**, Ningbo (CN)
(73) Assignee: **NINGBO KONY METAL PRODUCTS CO., LTD**, Ningbo (CN)

D502,551 S * 3/2005 Hotaling D25/48.5
D665,511 S * 8/2012 Bertsch D25/48.5
10,081,980 B2 * 9/2018 Birkert E06B 9/04
2001/0011392 A1 * 8/2001 Homeyer A47D 7/002
5/99.1
2002/0002795 A1 * 1/2002 Rogers E06B 9/04
49/57

(**) Term: **15 Years**
(21) Appl. No.: **29/716,235**

FOREIGN PATENT DOCUMENTS

CN 304323183 * 10/2017
CN 305174746 * 5/2019
CN 305218395 * 6/2019

(22) Filed: **Dec. 8, 2019**

OTHER PUBLICATIONS

(30) **Foreign Application Priority Data**

Acrylic Clear Baby Gate Amazon.sg <https://www.amazon.sg/Auto-Close-Pressure-Extension-Doorways-Banister/dp/B087LY2K58> Apr. 24, 2020 (Year: 2020).*

Nov. 1, 2019 (CN) 201930599289.7

(51) **LOC (13) Cl.** **25-02**

* cited by examiner

(52) **U.S. Cl.**
USPC **D25/48.5**

Primary Examiner — Leanne Was-Englehart

(58) **Field of Classification Search**
USPC D6/331, 332; D25/48.1, 48.3, 48.5;
D30/108, 114–117, 119

(57) **CLAIM**

CPC A01K 1/00; A01K 1/0017; A01K 1/0245;
A01K 1/0272; A01K 1/035; E06B 9/04;
E06B 11/00; E06B 11/02; E06B 11/04;
E06B 2009/002

The ornamental design for a gate bar, as shown and described.

See application file for complete search history.

DESCRIPTION

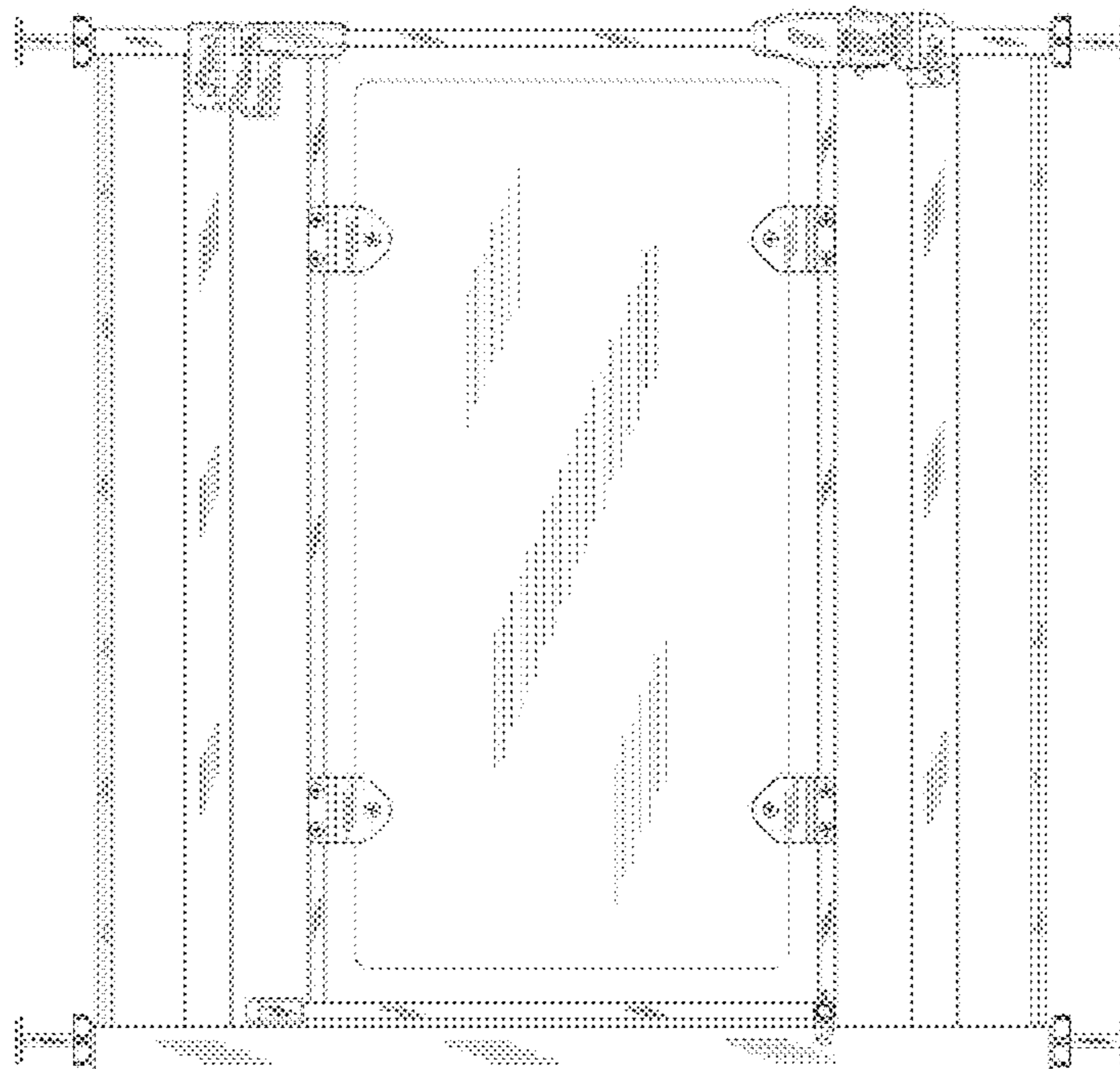
(56) **References Cited**

U.S. PATENT DOCUMENTS

3,000,063 A * 9/1961 Hoog E06B 9/01
49/317
6,176,042 B1 * 1/2001 Rossman A01K 1/0017
160/210

FIG. 1 is a front view of a gate bar showing our new design;
FIG. 2 is a back view thereof;
FIG. 3 is a left view thereof;
FIG. 4 is a right view thereof;
FIG. 5 is a top view thereof;
FIG. 6 is a bottom view thereof; and,
FIG. 7 is a bottom perspective view thereof.

1 Claim, 7 Drawing Sheets



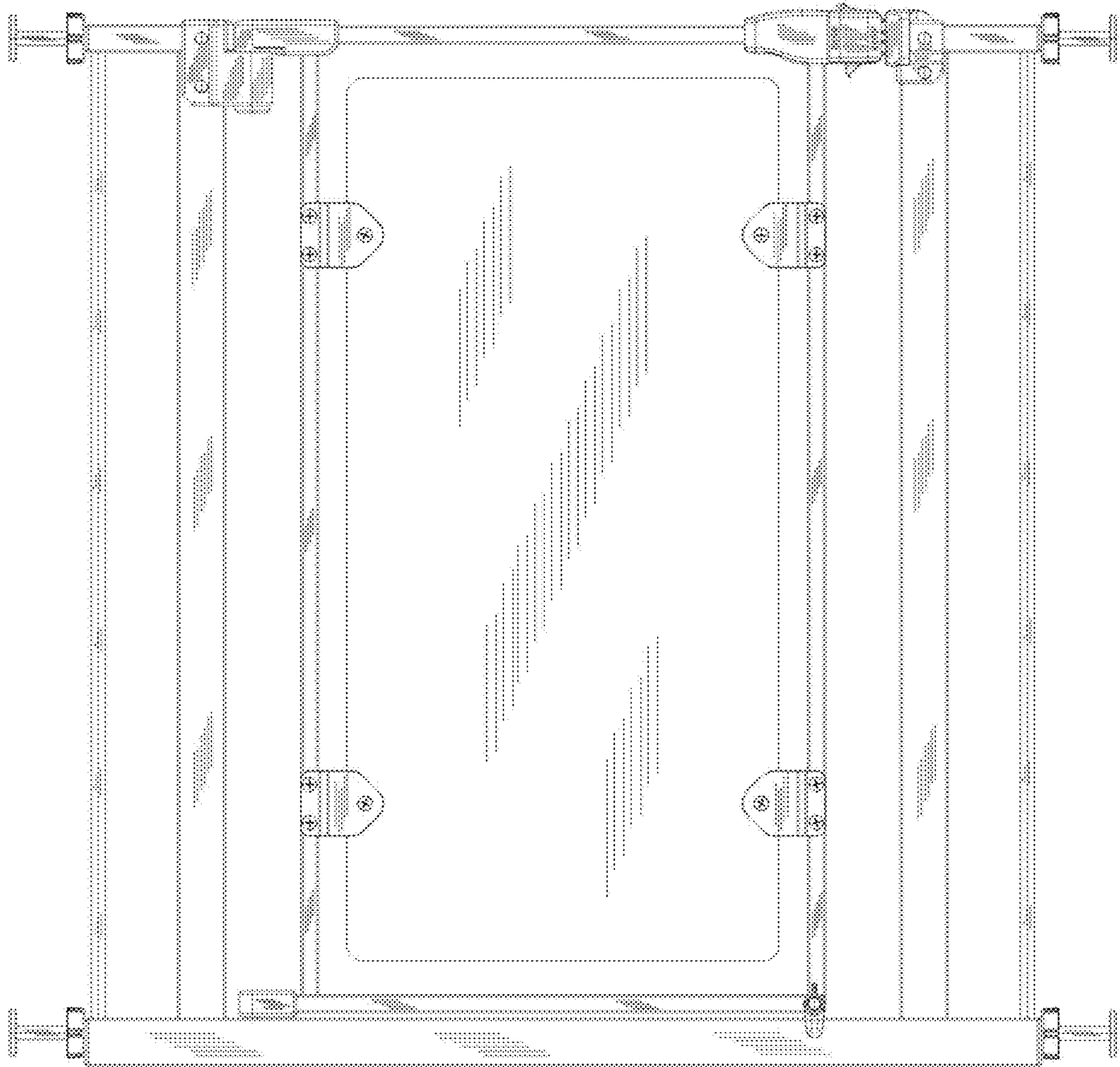


Fig.1

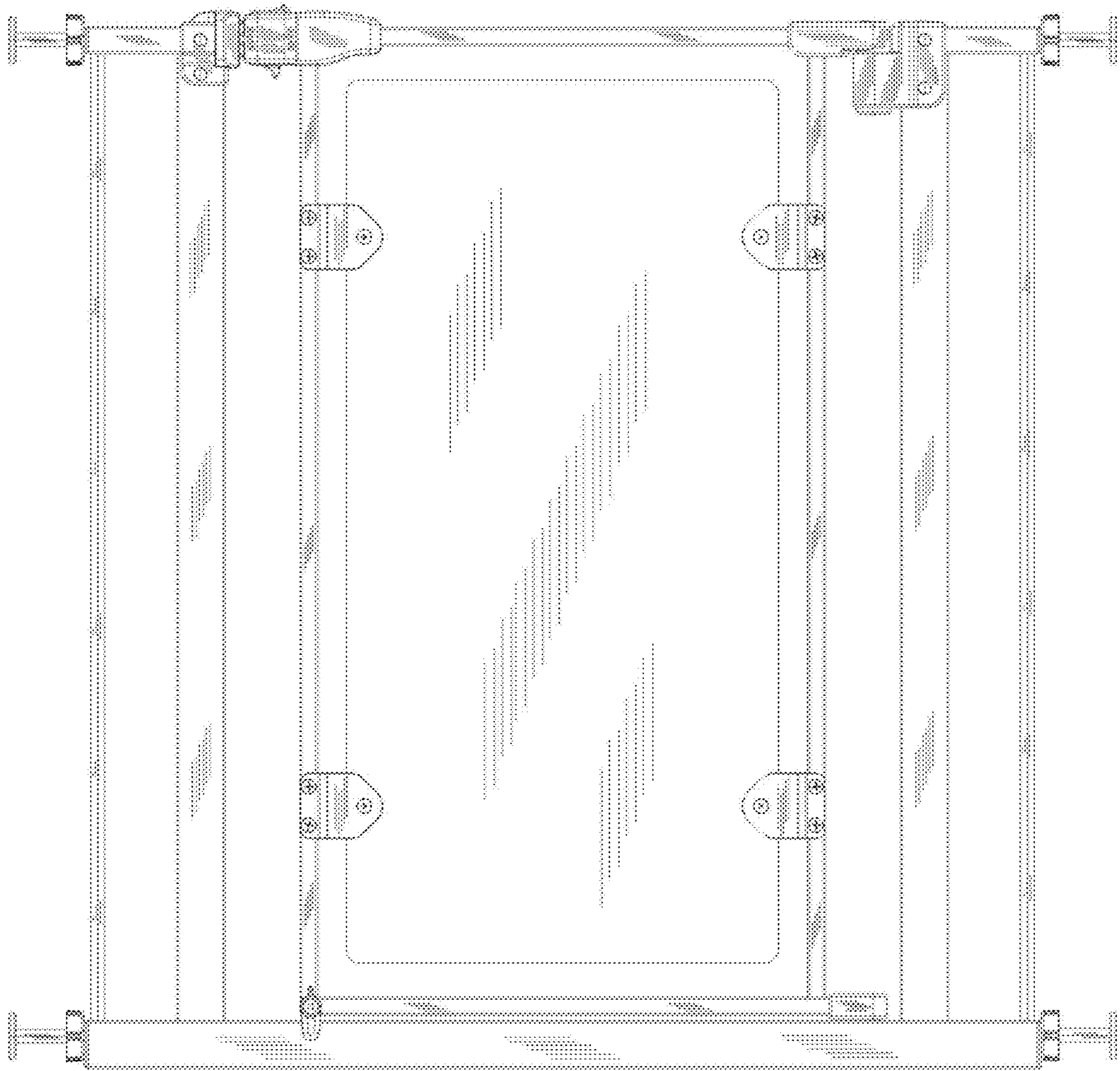


Fig.2

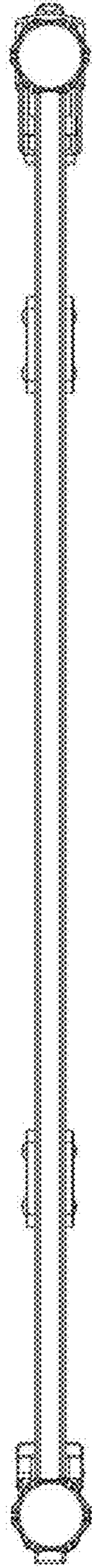


Fig.3

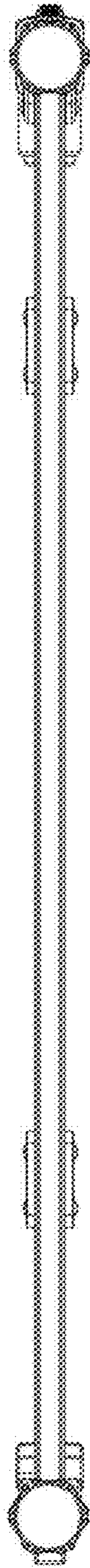


Fig.4

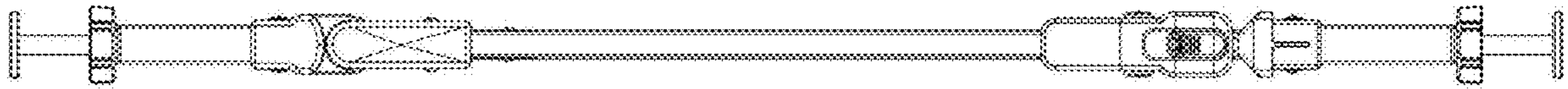


Fig.5

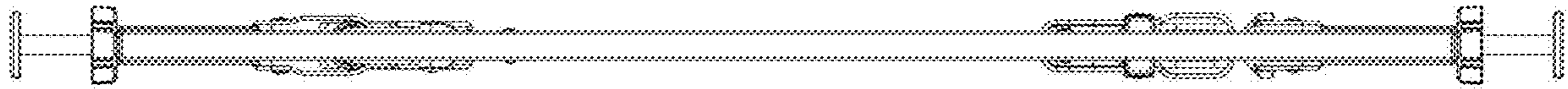


Fig.6

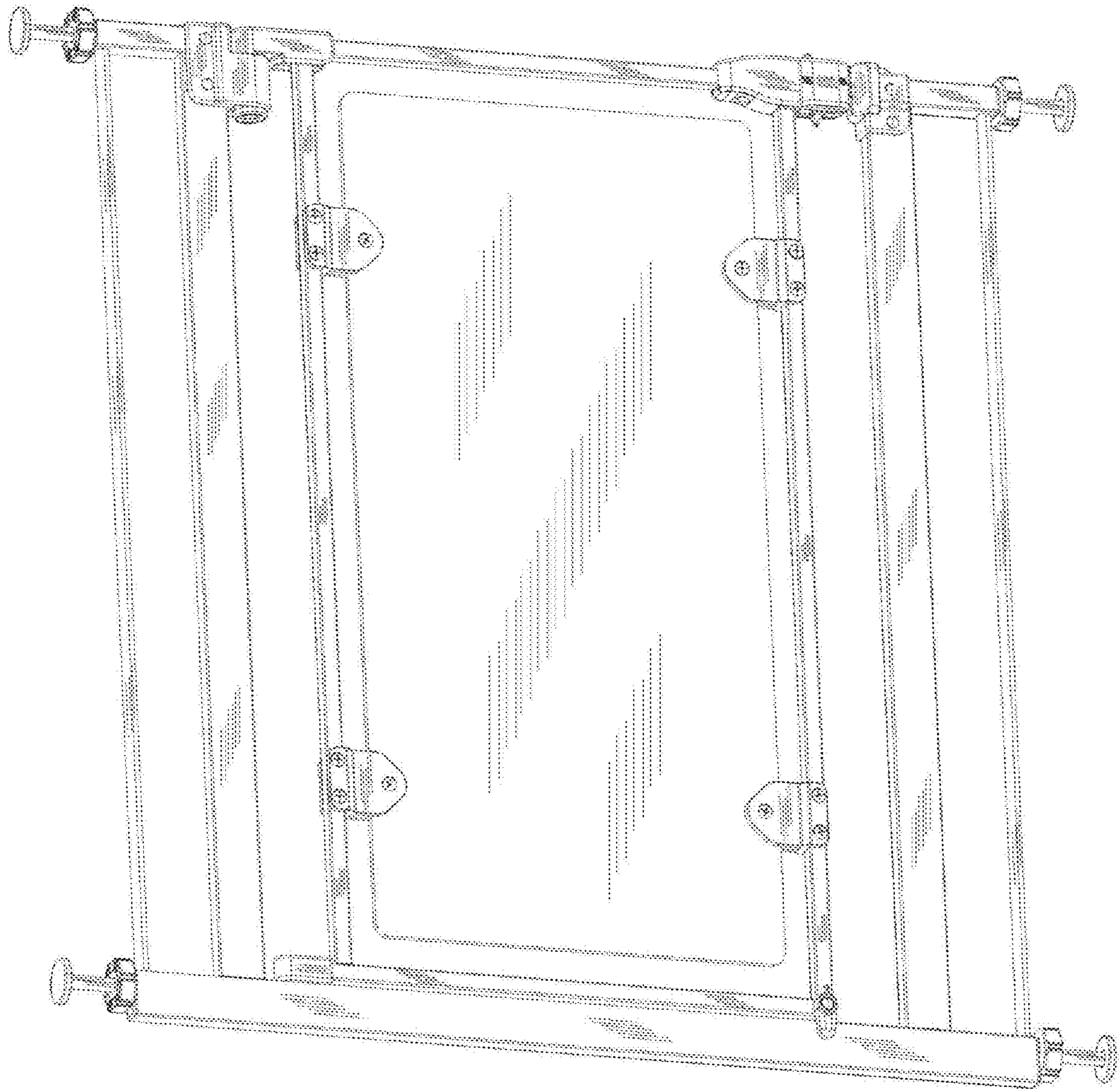


Fig.7