

US00D924433S

(12) **United States Design Patent** (10) **Patent No.:** **US D924,433 S**  
**Ege et al.** (45) **Date of Patent:** **\*\* Jul. 6, 2021**

- (54) **DOOR FACING**
- (71) Applicant: **Masonite Corporation**, Tampa, FL (US)
- (72) Inventors: **Patrick C. Ege**, Westmont, IL (US);  
**Timothy D. Gouge**, Elgin, IL (US);  
**Dale Di Iulio**, Saukville, WI (US)
- (73) Assignee: **Masonite Corporation**, Tampa, FL (US)
- (\*\*) Term: **15 Years**
- (21) Appl. No.: **29/693,240**
- (22) Filed: **May 31, 2019**

D883,521 S *	5/2020	Ege	.....	E06B 3/7015	D25/48.3
D888,990 S *	6/2020	Allen	.....	D25/48.3	
D888,991 S *	6/2020	Allen	.....	D25/48.3	
2019/0195005 A1 *	6/2019	Di Iulio	.....	E06B 3/7001	
2019/0330915 A1 *	10/2019	Ege	.....	E06B 3/7001	
2020/0149343 A1 *	5/2020	Ege	.....	E06B 3/74	

**FOREIGN PATENT DOCUMENTS**

CN	3345890	*	1/2004
CN	300755217	*	3/2008
CN	301154166	*	3/2010
CN	301158224	*	3/2010
CN	302866686	*	7/2014
EM	007296033-0001	*	2/2020

\* cited by examiner

*Primary Examiner* — Leanne Was-Engelhart  
(74) *Attorney, Agent, or Firm* — Berenato & White, LLC

**Related U.S. Application Data**

- (63) Continuation-in-part of application No. 15/794,404, filed on Oct. 26, 2017, now abandoned.
- (51) **LOC (13) Cl.** ..... **25-02**
- (52) **U.S. Cl.**  
USPC ..... **D25/48.3**
- (58) **Field of Classification Search**  
USPC ..... D25/48.1, 48.3, 48.4, 48.5, 48.6, 48.7,  
D25/48.8, 138  
CPC ..... E06B 3/485; E06B 3/4636; E06B 3/7001;  
E06B 3/7015; E06B 3/72; E06B 3/74;  
E06B 3/78; E06B 2003/7044; E06B 1/04;  
E06B 5/00; B29L 2031/724  
See application file for complete search history.

(57) **CLAIM**

The ornamental design for a door facing, as shown and described.

**DESCRIPTION**

FIG. 1 is a front elevational view of a door facing according to our design;  
 FIG. 2 is a rear elevational view thereof;  
 FIG. 3 is a cross sectional view taken along the line 3-3 of FIG. 1;  
 FIG. 4 is an enlarged view of the circled portion of FIG. 3; and,  
 FIG. 5 is an enlarged perspective view of a portion of the door facing shown in the rectangle "5" and taken along the line 6-6 of FIG. 1.  
 The dash-dash broken lines in the drawings depict portions of the door facing that form no part of the claimed design. The dash-dot-dot-dash broken line circle and rectangle in FIGS. 1 and 3-5 depict the limits of the enlarged views and form no part of the claimed design.

(56) **References Cited**

**U.S. PATENT DOCUMENTS**

5,543,234 A	8/1996	Lynch et al.	
9,657,512 B2	5/2017	Lynch et al.	
D802,795 S *	11/2017	Gouge	..... D25/48.3
D827,860 S *	9/2018	Allen	..... D25/48.3
D844,175 S *	3/2019	Allen	..... D25/48.3
10,538,955 B2 *	1/2020	Ege	..... E06B 3/74

**1 Claim, 5 Drawing Sheets**

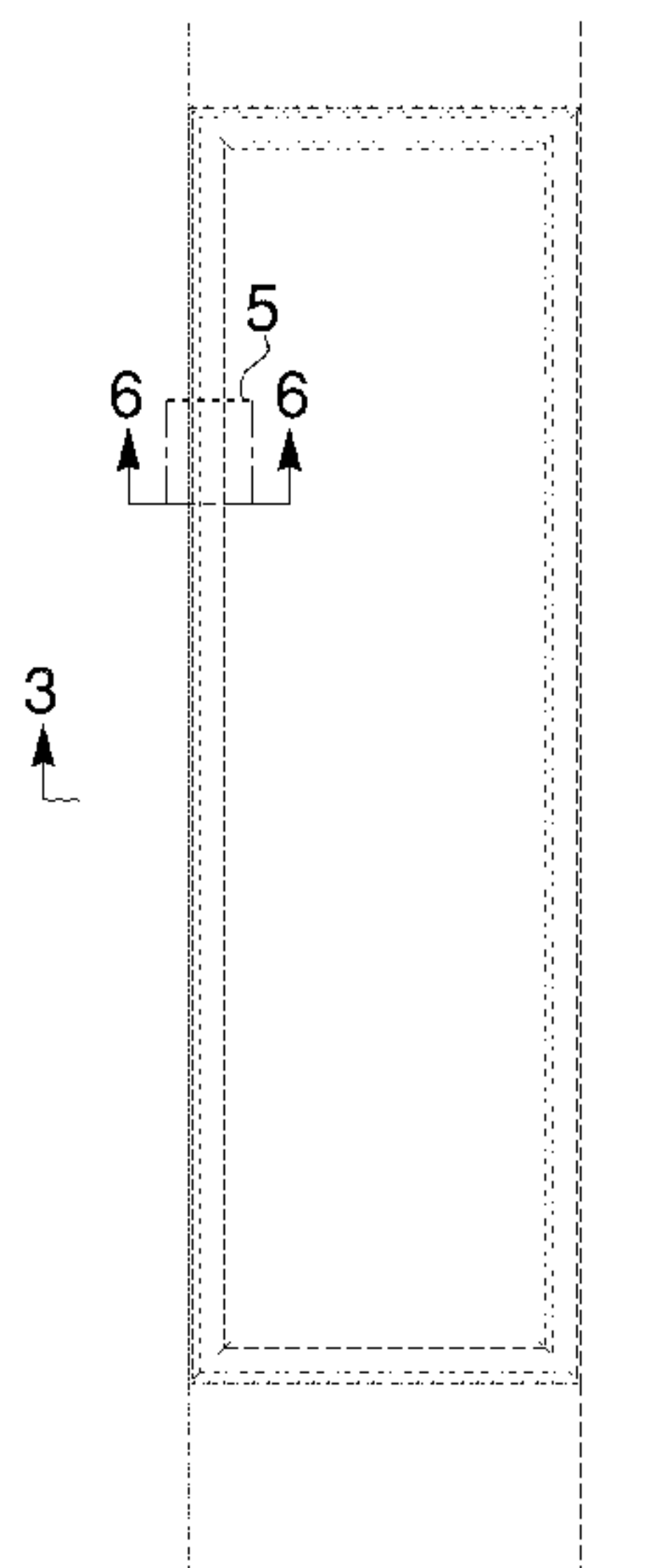
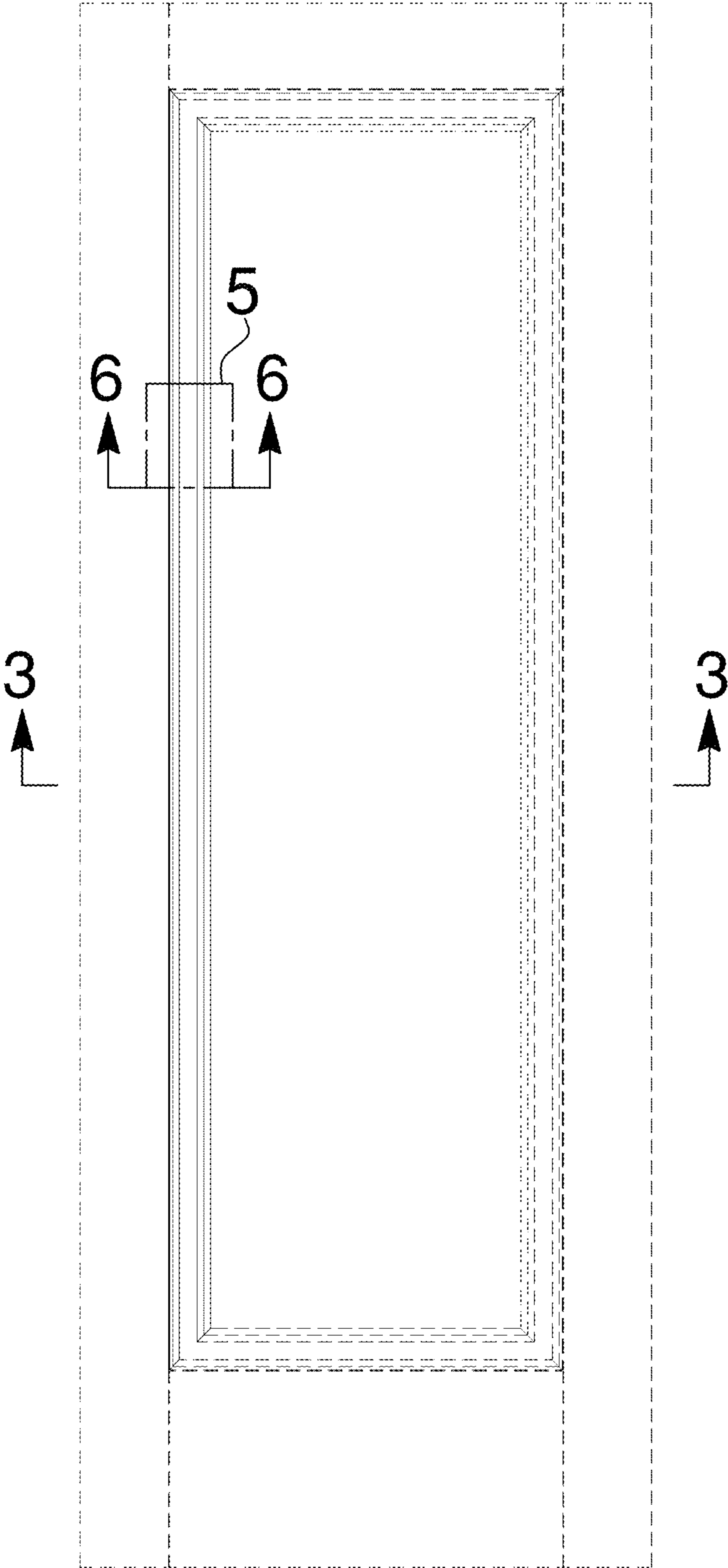


FIG. 1



# FIG. 2

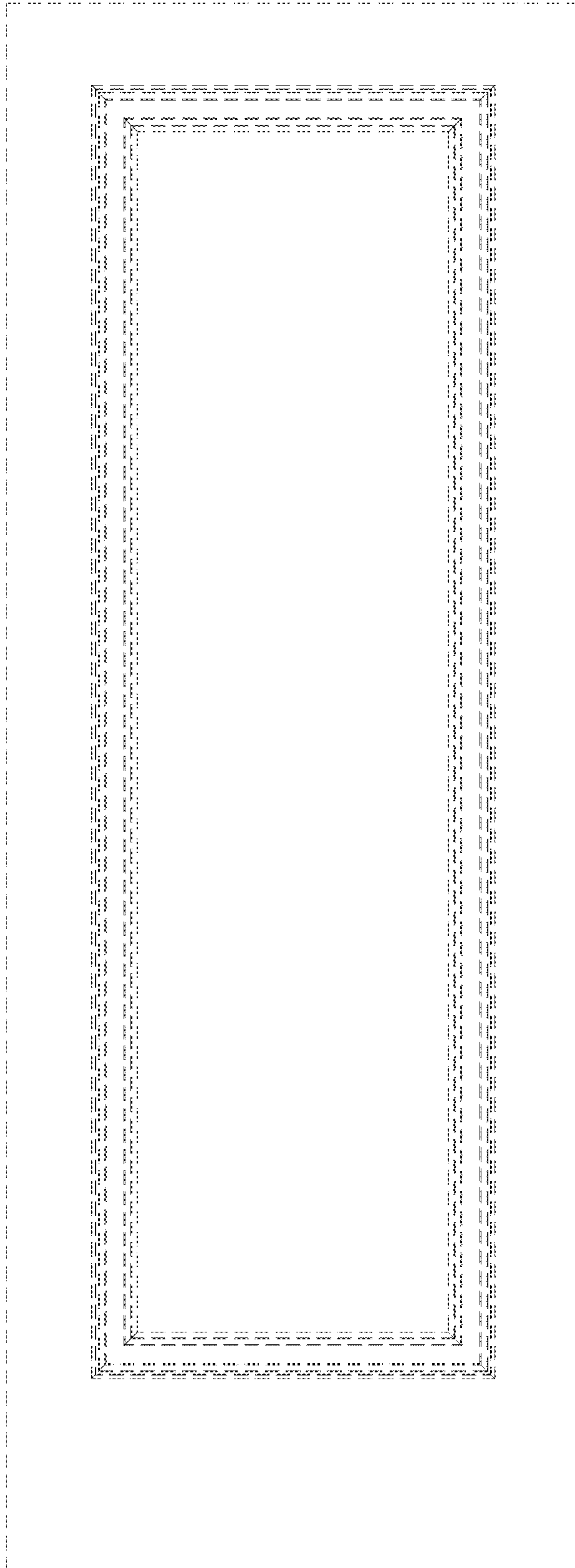


FIG. 3

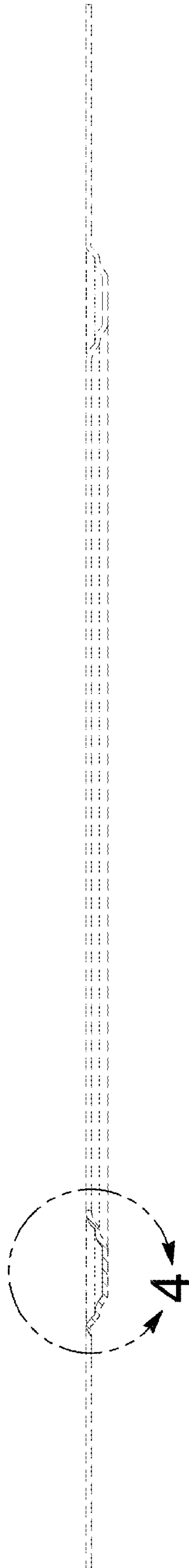
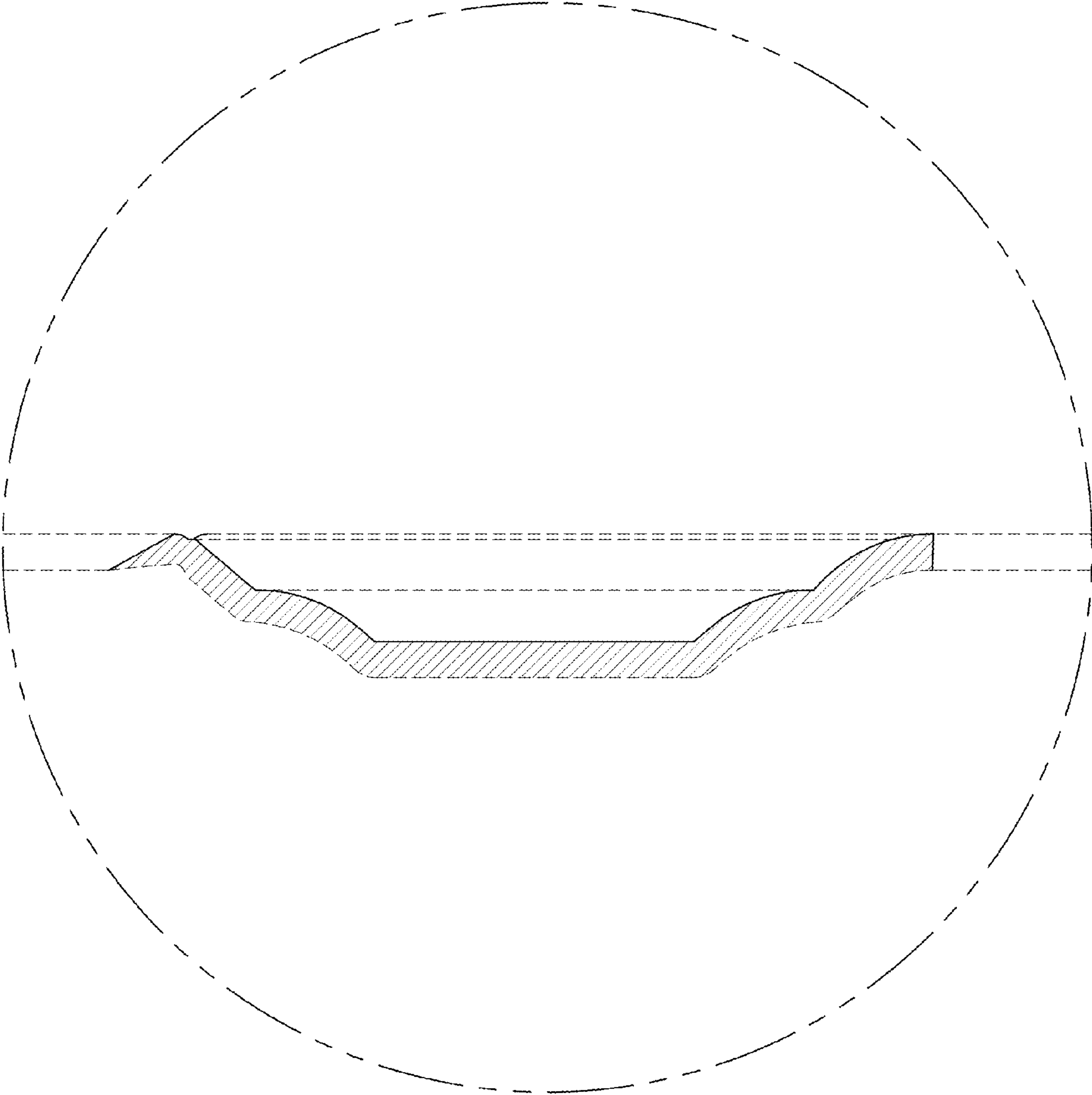


FIG. 4



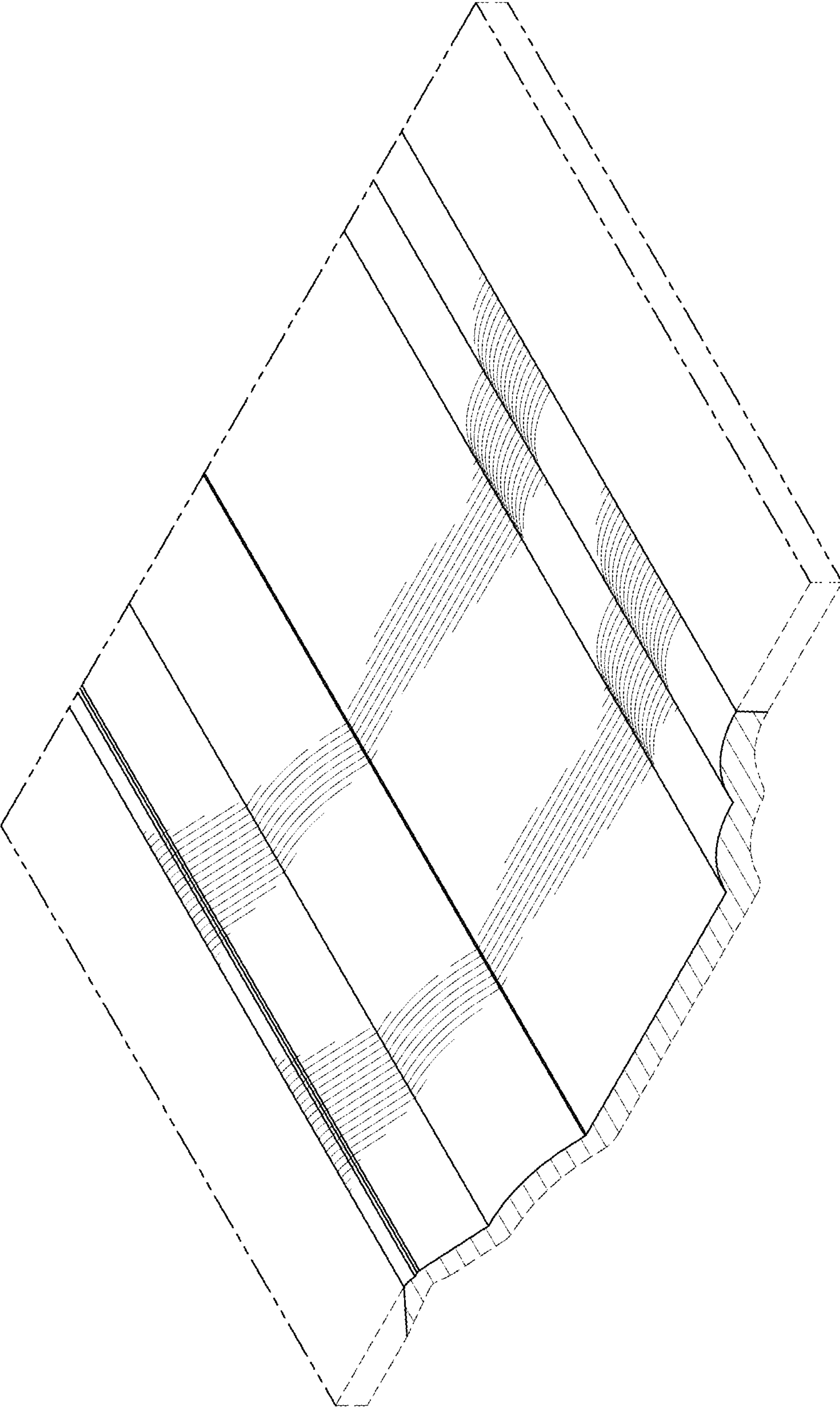


FIG. 5