



US00D924430S

(12) **United States Design Patent**
Johnson

(10) **Patent No.:** **US D924,430 S**
(45) **Date of Patent:** **** Jul. 6, 2021**

- (54) **SAMPLE COLLECTION DEVICE**
- (71) Applicant: **SPECTRUM SOLUTIONS, LLC**,
Draper, UT (US)
- (72) Inventor: **Neil Jeremy Johnson**, Riverton, UT
(US)
- (73) Assignee: **SPECTRUM SOLUTIONS L.L.C.**,
Draper, UT (US)
- (**) Term: **15 Years**
- (21) Appl. No.: **29/698,614**
- (22) Filed: **Jul. 18, 2019**
- (51) **LOC (13) Cl.** **24-01**
- (52) **U.S. Cl.**
USPC **D24/224; D24/216**
- (58) **Field of Classification Search**
USPC D24/216, 219, 223-233, 186, 107, 121,
D24/114, 117, 129; D10/81
CPC B01L 3/5029; B01L 3/508; B01L 3/5082;
B01L 3/50825; B01L 2300/046; B01L
2300/047; B01L 2300/049; B01L
2300/0832; A61B 10/0051; A61B 10/007;
A61B 10/0074; A61B 10/0038; A61B
10/0096
See application file for complete search history.

(56) **References Cited**

U.S. PATENT DOCUMENTS

D315,680 S *	3/1991	Baxter	D24/224
D480,640 S *	10/2003	Oyama	D24/129
D545,964 S *	7/2007	Blanco	D24/129
D656,236 S *	3/2012	Marechal	D24/224
D733,291 S *	6/2015	Wang	D24/129
D743,571 S *	11/2015	Jackson	D24/216
D755,957 S *	5/2016	Larson	D24/121

D773,068 S *	11/2016	Curry	D24/224
10,064,606 B1 *	9/2018	Williams	B01L 3/5029
D867,587 S *	11/2019	Holtz	D24/129
10,799,422 B2 *	10/2020	Williams	A61J 1/1481
2015/0056716 A1 *	2/2015	Oyler	A61B 10/0096 436/176
2017/0072393 A1 *	3/2017	Jackson	B01L 3/50825
2019/0151842 A1 *	5/2019	Williams	B01L 3/50825
2020/0156056 A1 *	5/2020	Williams	B01L 3/50825
2020/0254460 A1 *	8/2020	Blair	B01L 3/50825
2020/0397418 A1 *	12/2020	Williams	A61B 10/02

* cited by examiner

Primary Examiner — Anhdao Doan

(74) *Attorney, Agent, or Firm* — Workman Nydegger

(57) **CLAIM**

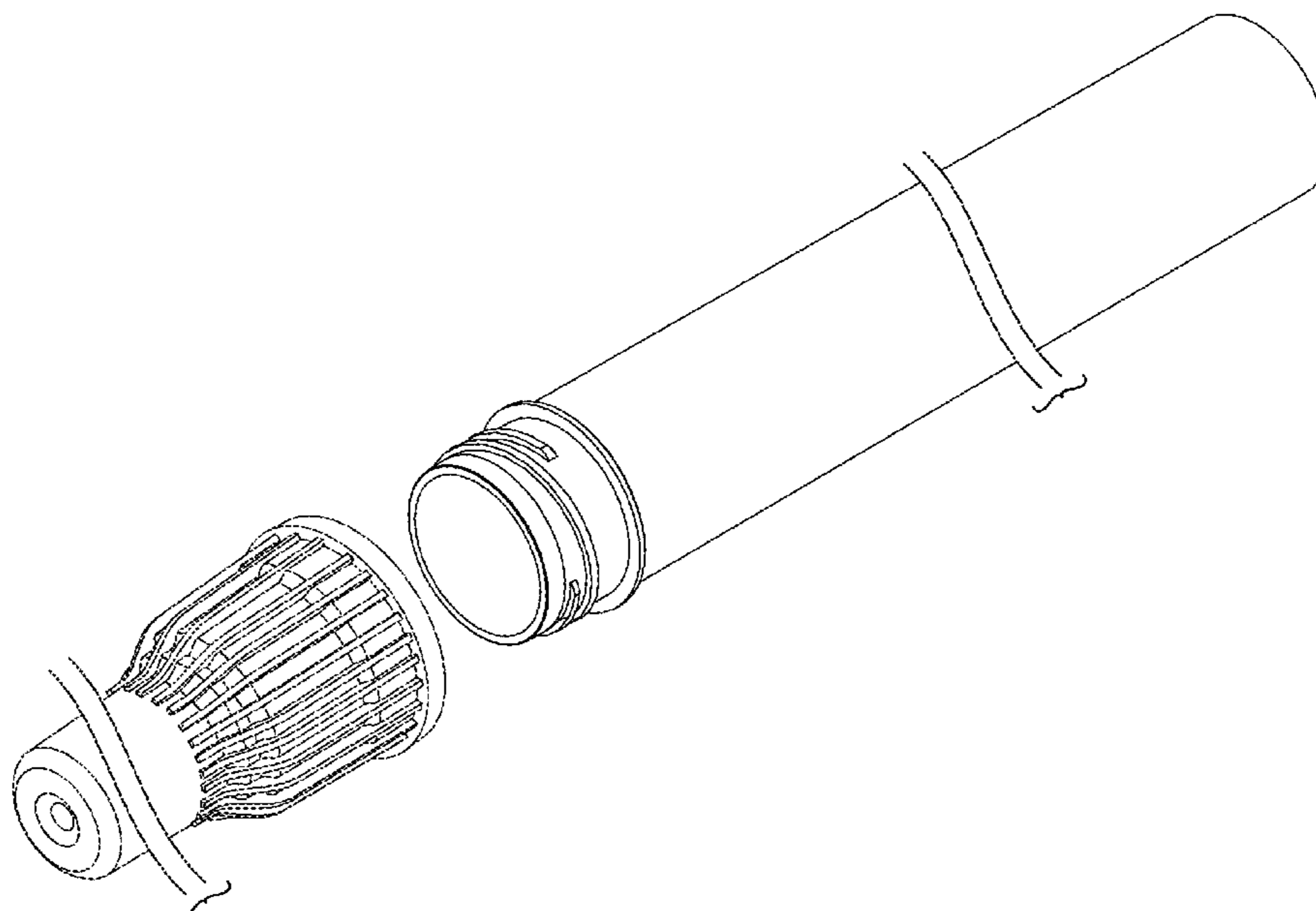
The ornamental design for a sample collection device, as shown and described.

DESCRIPTION

FIG. 1 is a top, left perspective view of a sample collection device in an open position;
 FIG. 2 is a top, right perspective view thereof;
 FIG. 3 is a top, left perspective view thereof in a partially closed position;
 FIG. 4 is a top, right perspective view thereof;
 FIG. 5 is a top plan view of the sample collection device;
 FIG. 6 is a right side view thereof;
 FIG. 7 is a bottom plan view thereof;
 FIG. 8 is a left side view thereof;
 FIG. 9 is a front view thereof;
 FIG. 10 is a cross-sectional view thereof taken along line 10-10 in FIG. 8; and,
 FIG. 11 is an enlarged view of area E circumscribed in FIG. 10.

The broken lines depict portions of the sample collection device that form no part of the claimed design.

1 Claim, 7 Drawing Sheets



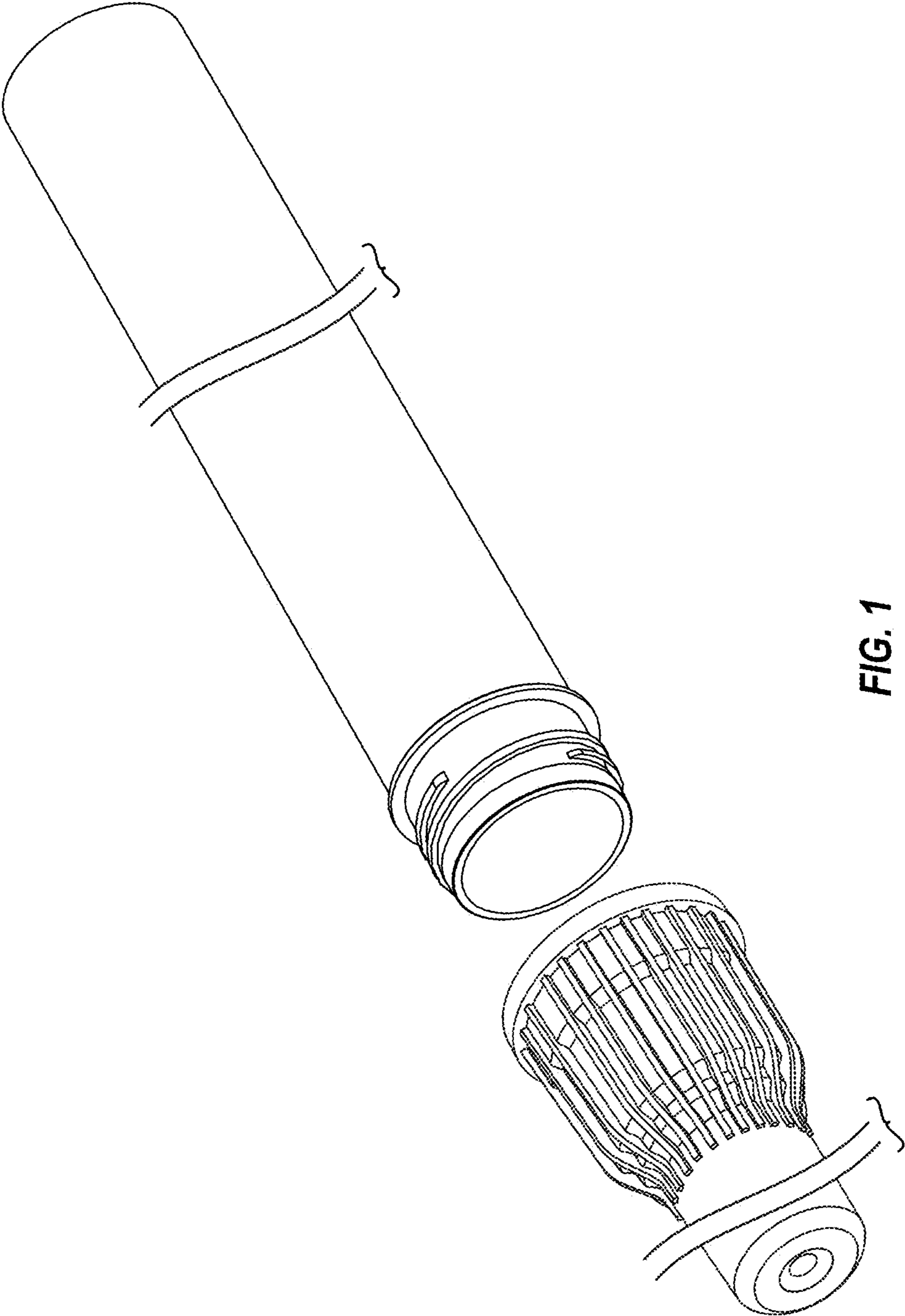


FIG. 1

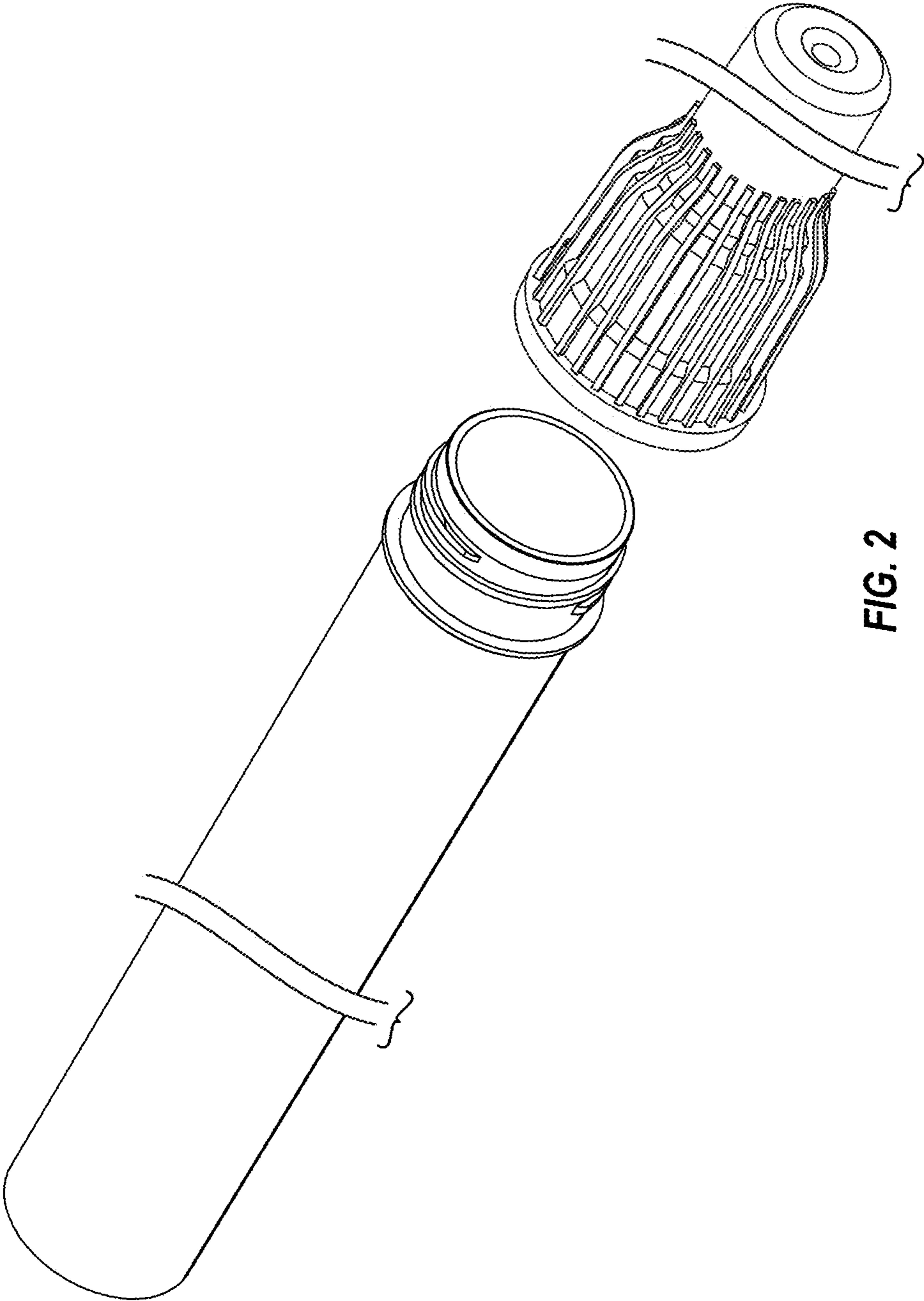


FIG. 2

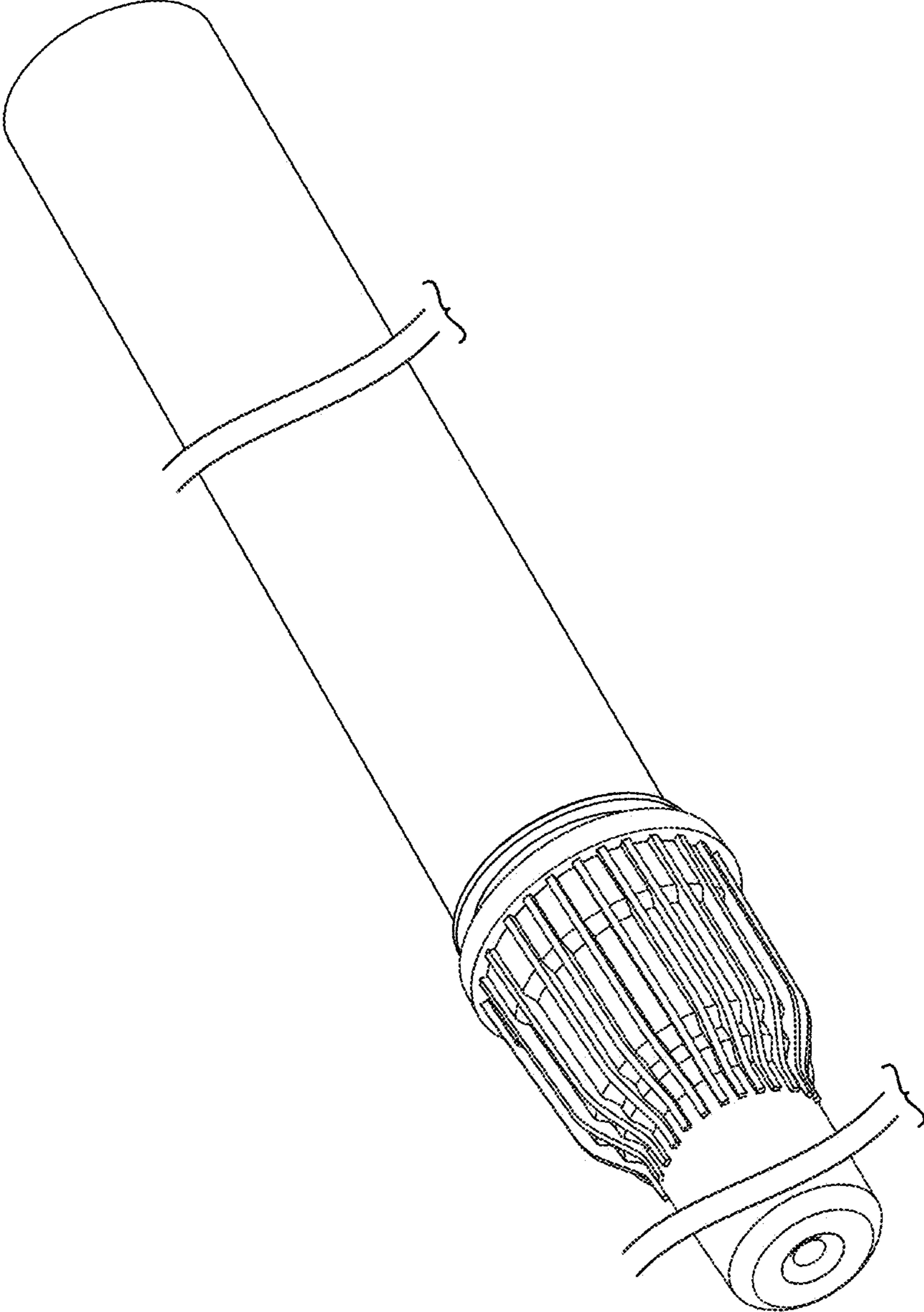


FIG. 3

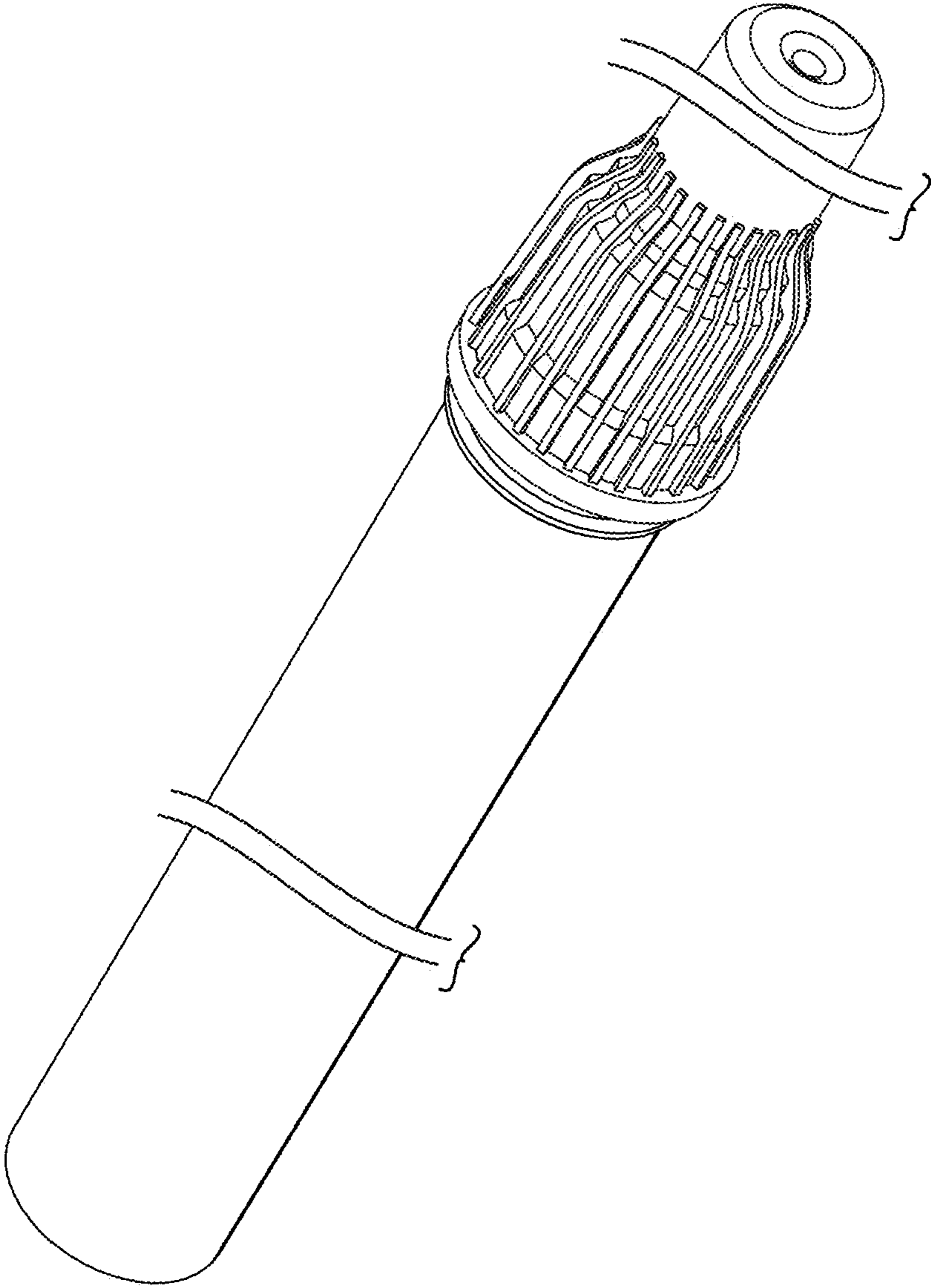


FIG. 4

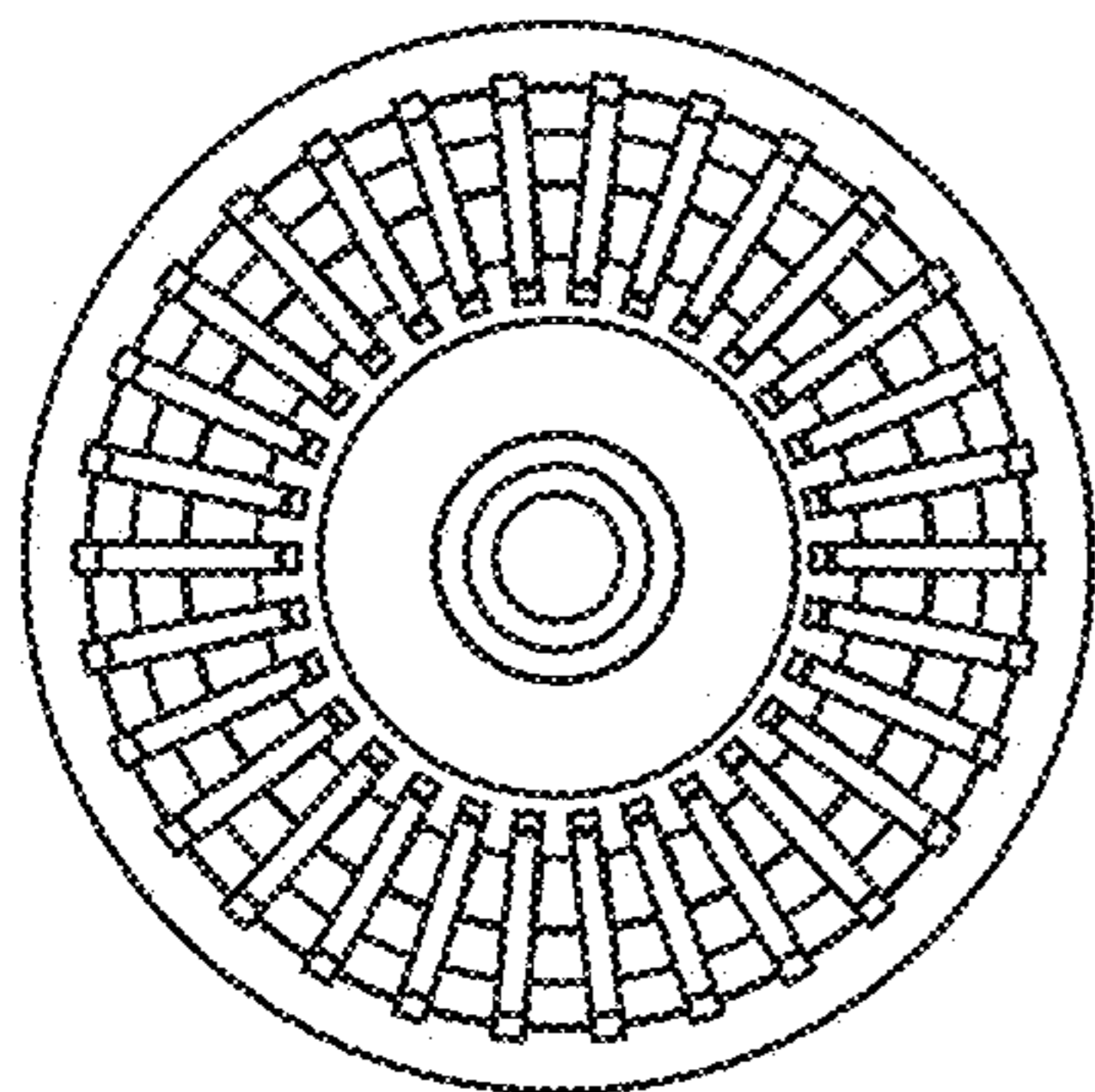


FIG. 5

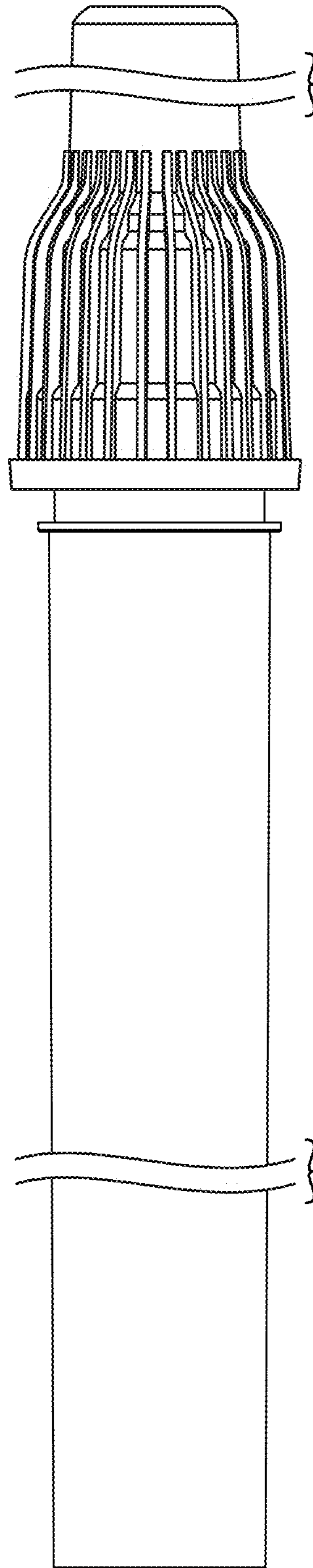


FIG. 6

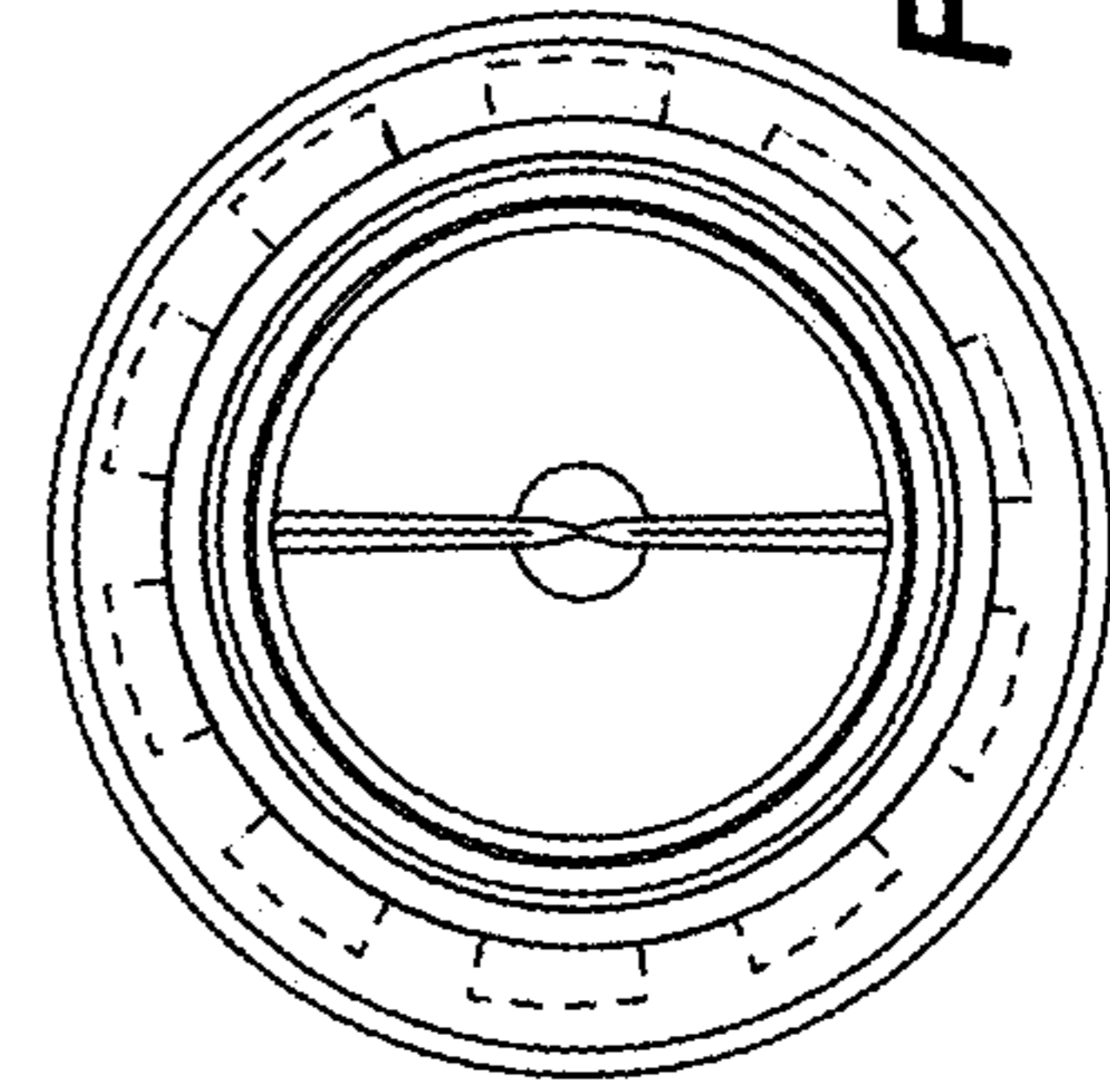


FIG. 7

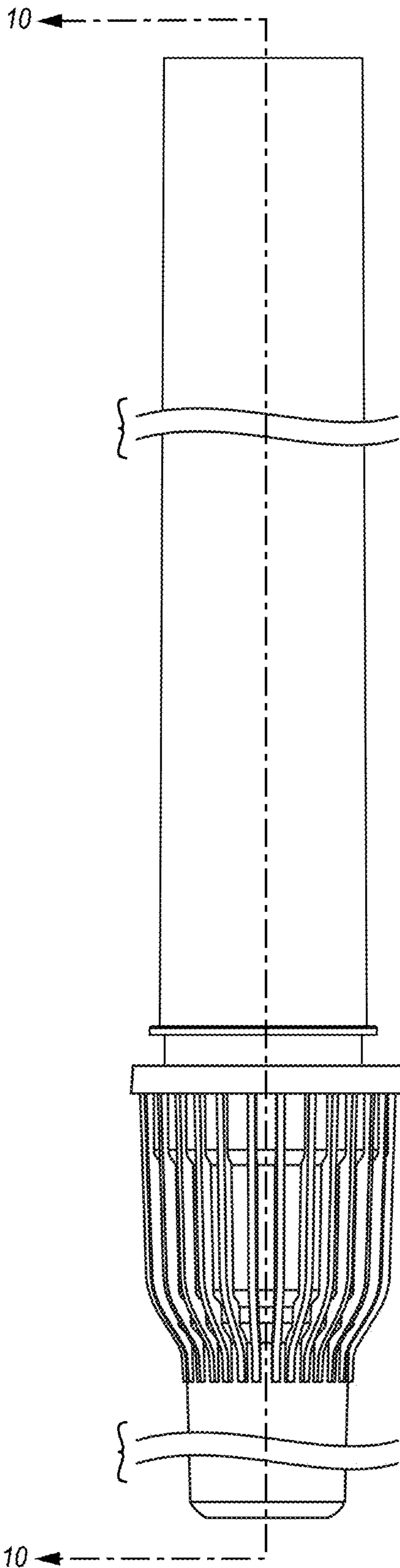


FIG. 8

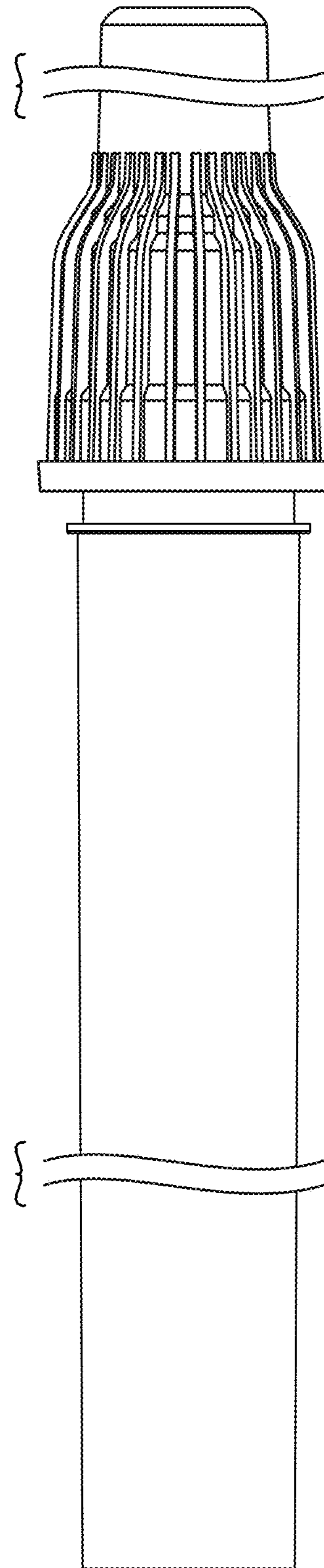


FIG. 9

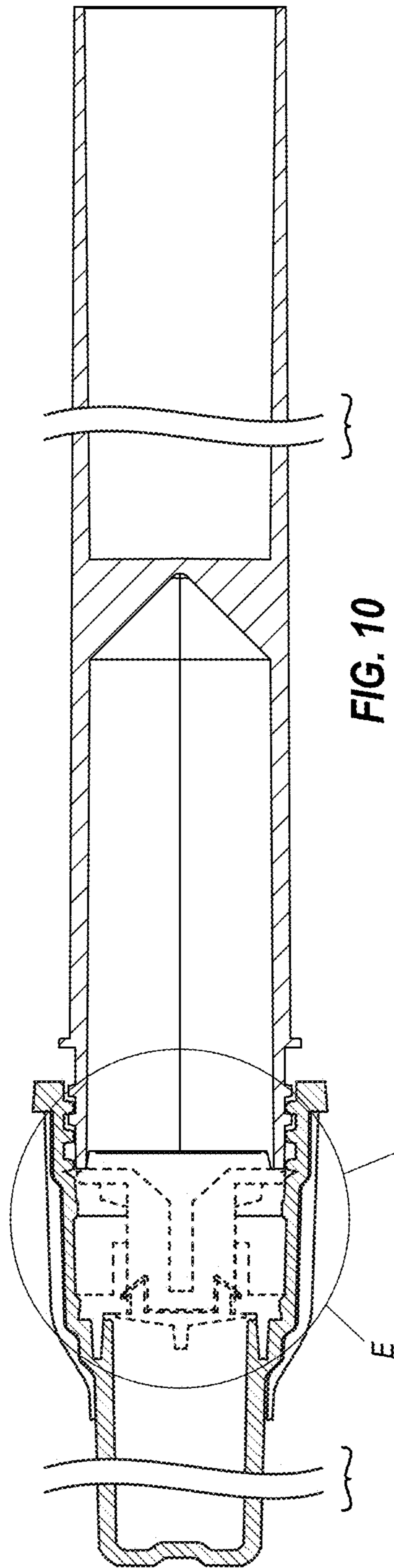


FIG. 10

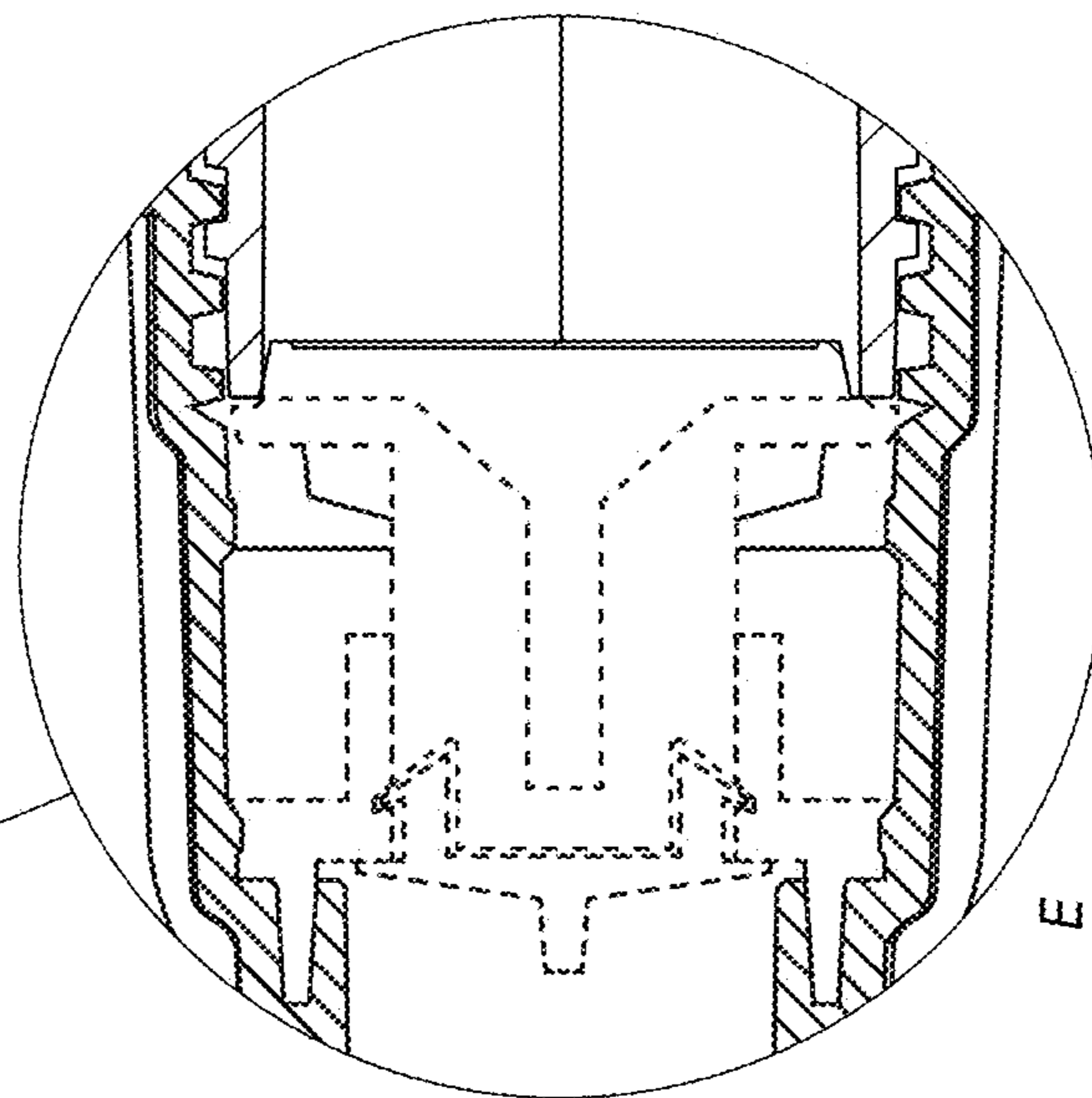


FIG. 11