



US00D924429S

(12) **United States Design Patent**
Küber et al.

(10) **Patent No.:** **US D924,429 S**
(45) **Date of Patent:** **** Jul. 6, 2021**

(54) **HANDHELD PIPETTE**

(71) Applicant: **BRAND GMBH + CO KG**, Wertheim (DE)

(72) Inventors: **Karsten Küber**, Oberursel (DE); **Uwe Meisel**, Rödermark (DE)

(73) Assignee: **BRAND GMBH + CO KG**, Wertheim (DE)

(**) Term: **15 Years**

(21) Appl. No.: **29/702,672**

(22) Filed: **Aug. 21, 2019**

(30) **Foreign Application Priority Data**

Feb. 21, 2019 (EM) 006264578

(51) **LOC (13) Cl.** **24-02**

(52) **U.S. Cl.**
USPC **D24/222**

(58) **Field of Classification Search**
USPC D24/216, 222–226, 231, 232
CPC B65D 25/108; B01L 9/543; B01L 3/0217;
B01L 3/0279; B01L 3/0244
See application file for complete search history.

(56) **References Cited**

U.S. PATENT DOCUMENTS

4,215,092	A	7/1980	Suovaniemi et al.	
4,779,467	A	10/1988	Rainin et al.	
5,021,217	A	6/1991	Oshikubo	
D375,798	S	* 11/1996	Boothby	D24/222
D438,630	S	* 3/2001	Honore	D24/222
D584,418	S	* 1/2009	Rylski	D24/222
D584,828	S	* 1/2009	Rylski	D24/222
D625,429	S	* 10/2010	Link	D24/222
D635,273	S	* 3/2011	Malvoisin	D24/222

(Continued)

FOREIGN PATENT DOCUMENTS

DE 19826065 A1 12/1999
EM 000938527-0001 * 5/2008

OTHER PUBLICATIONS

Cuatro Científico del e monocanal pipettors de volumen variable ajustable, 1. Online, published date Jul. 2, 2016. Retrieved on Oct. 26, 2020 from URL: <https://www.amazon.com/Scientific-Mechanical-Adjustable-Pipette-100-1000uL/dp/B01H6ZZYDO>.*

(Continued)

Primary Examiner — Janice Hallmark

Assistant Examiner — Omeed Agilee

(74) *Attorney, Agent, or Firm* — David S. Safran; Roberts Calderon Safran & Cole, P.C.

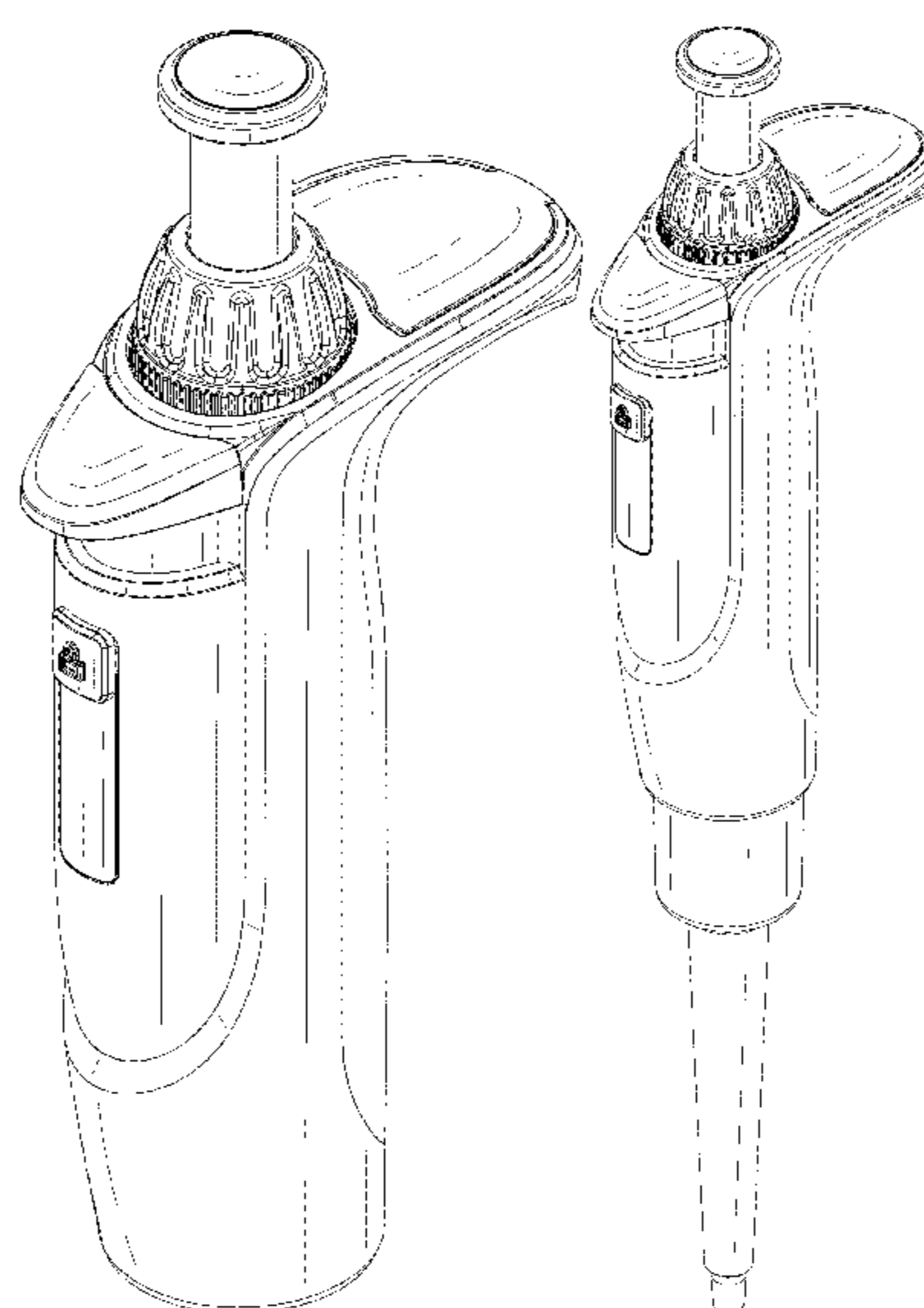
(57) **CLAIM**

The ornamental design for a handheld pipette, as shown and described.

DESCRIPTION

FIG. 1 is a right front perspective view of a handheld pipette shown with the pipette tip detached; FIG. 2 is a front view thereof; FIG. 3 is a rear view thereof; FIG. 4 is a top view thereof; FIG. 5 is a bottom view thereof; FIG. 6 is a right side view thereof; FIG. 7 is a left side view thereof; FIG. 8 is a perspective view of the handheld pipette of FIG. 1 shown with the pipette tip attached; FIG. 9 is a front view thereof; FIG. 10 is a rear view thereof; FIG. 11 is a top view thereof; FIG. 12 is a bottom view thereof; FIG. 13 is a right side view thereof; and, FIG. 14 is a left side view thereof. The dash-dot-dash broken lines depict the boundaries of the claim and form no part thereof.

1 Claim, 14 Drawing Sheets



(56)

References Cited

U.S. PATENT DOCUMENTS

8,011,257	B2	9/2011	Kneucker et al.	
D664,263	S *	7/2012	Ramsamy	D24/222
D672,469	S *	12/2012	Christensen	D24/222
D697,633	S *	1/2014	Hintikka	D24/222
9,339,811	B2	5/2016	Schmidt	
9,364,827	B2	6/2016	Gehrig et al.	
D770,056	S *	10/2016	LaCroix	D24/222
D772,426	S	11/2016	Sanchez et al.	
D798,469	S *	9/2017	Malvoisin	D24/222
9,815,053	B2	11/2017	Moriarty et al.	
D807,525	S	1/2018	Sanchez et al.	
D809,668	S *	2/2018	Ramsamy	D24/222
D875,964	S *	2/2020	Doebele	D24/222
D876,664	S *	2/2020	Malvoisin	D24/222
2012/0107193	A1 *	5/2012	Salo	B01L 3/0244 422/501
2012/0198947	A1 *	8/2012	Lind	B01L 3/021 73/864.01

OTHER PUBLICATIONS

Brand GMBH + CO KG, "Transferpette ® S", Brochure, Jan. 2019, 8 pages, Issue No. 9949 01, Germany.

* cited by examiner

FIG. 1

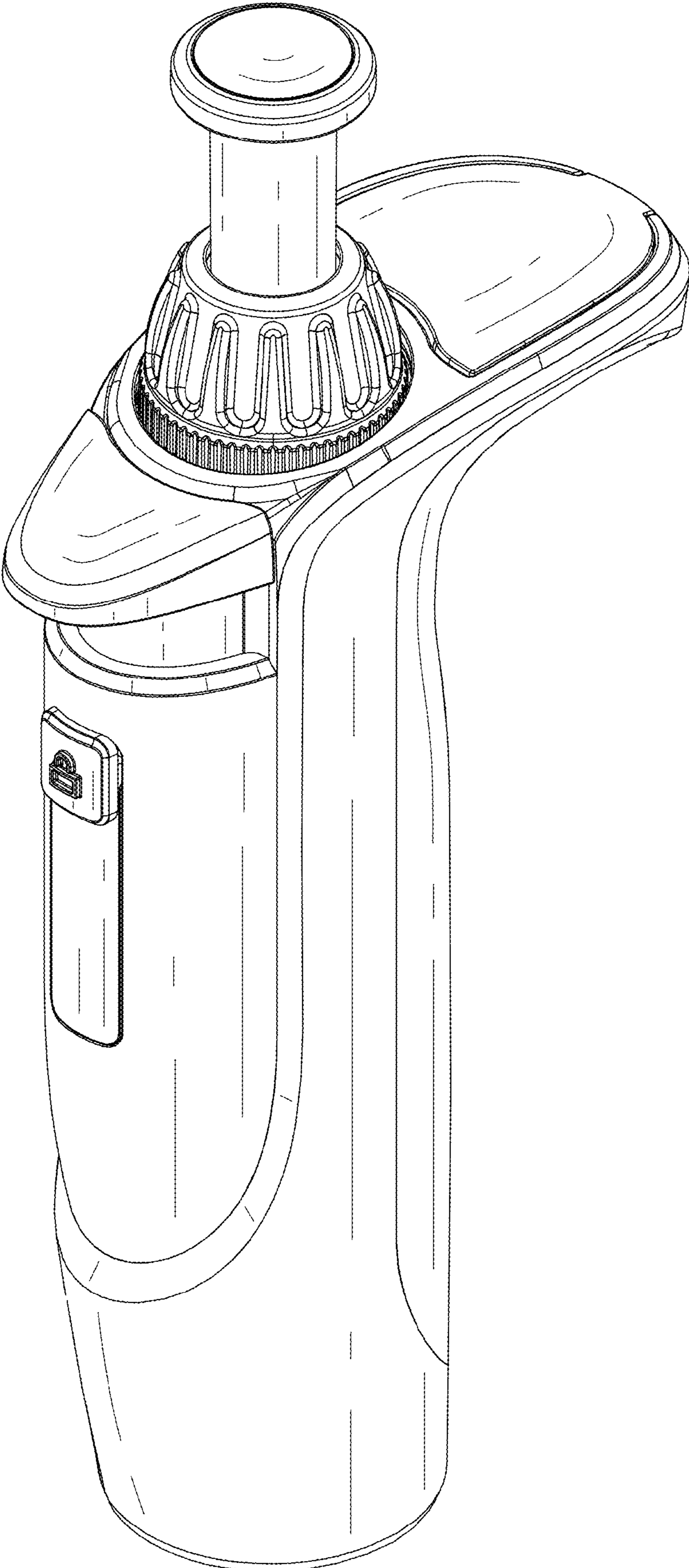


FIG. 2

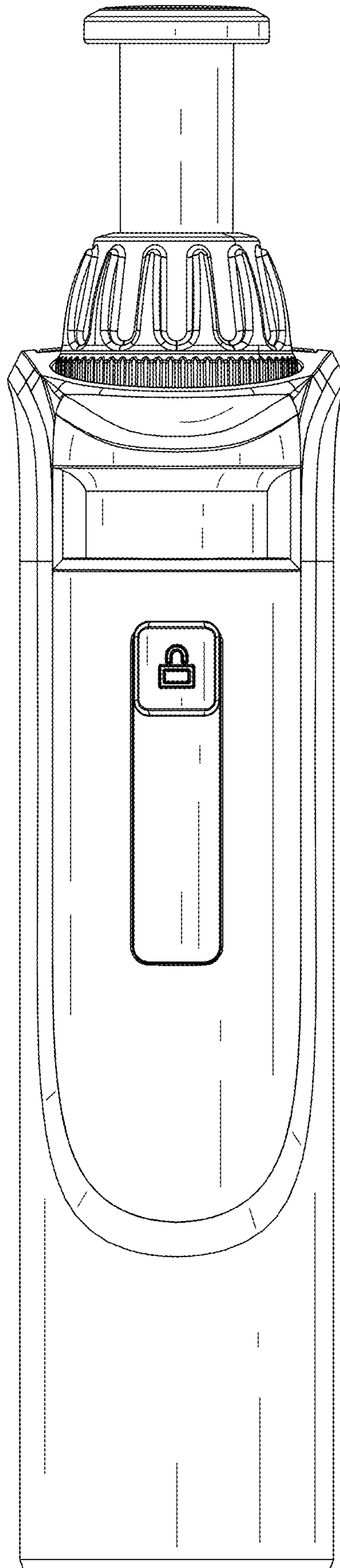


FIG. 3

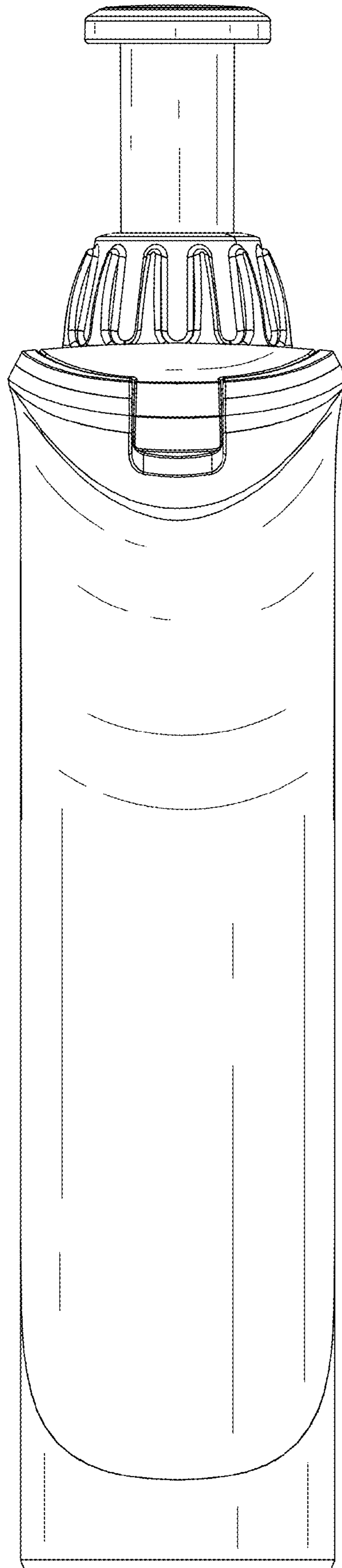


FIG. 4

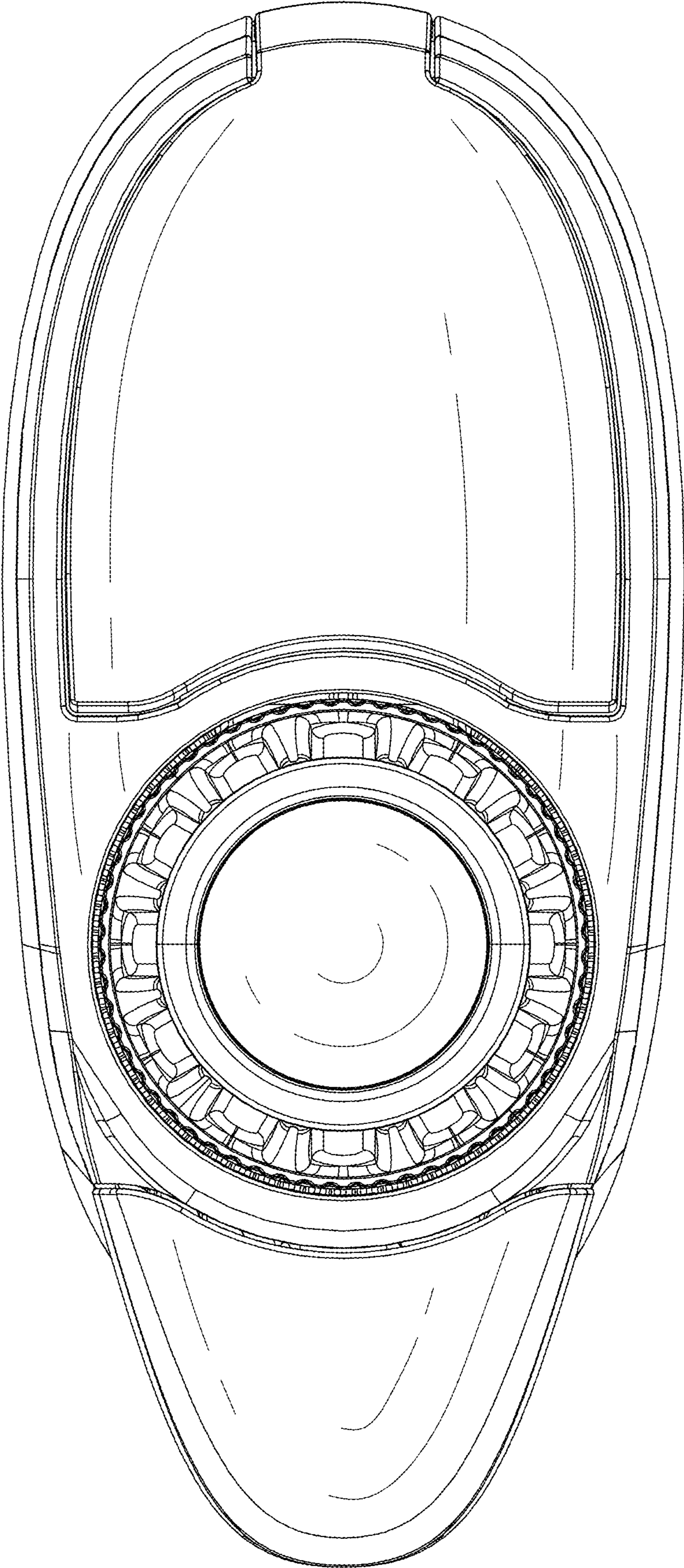


FIG. 5

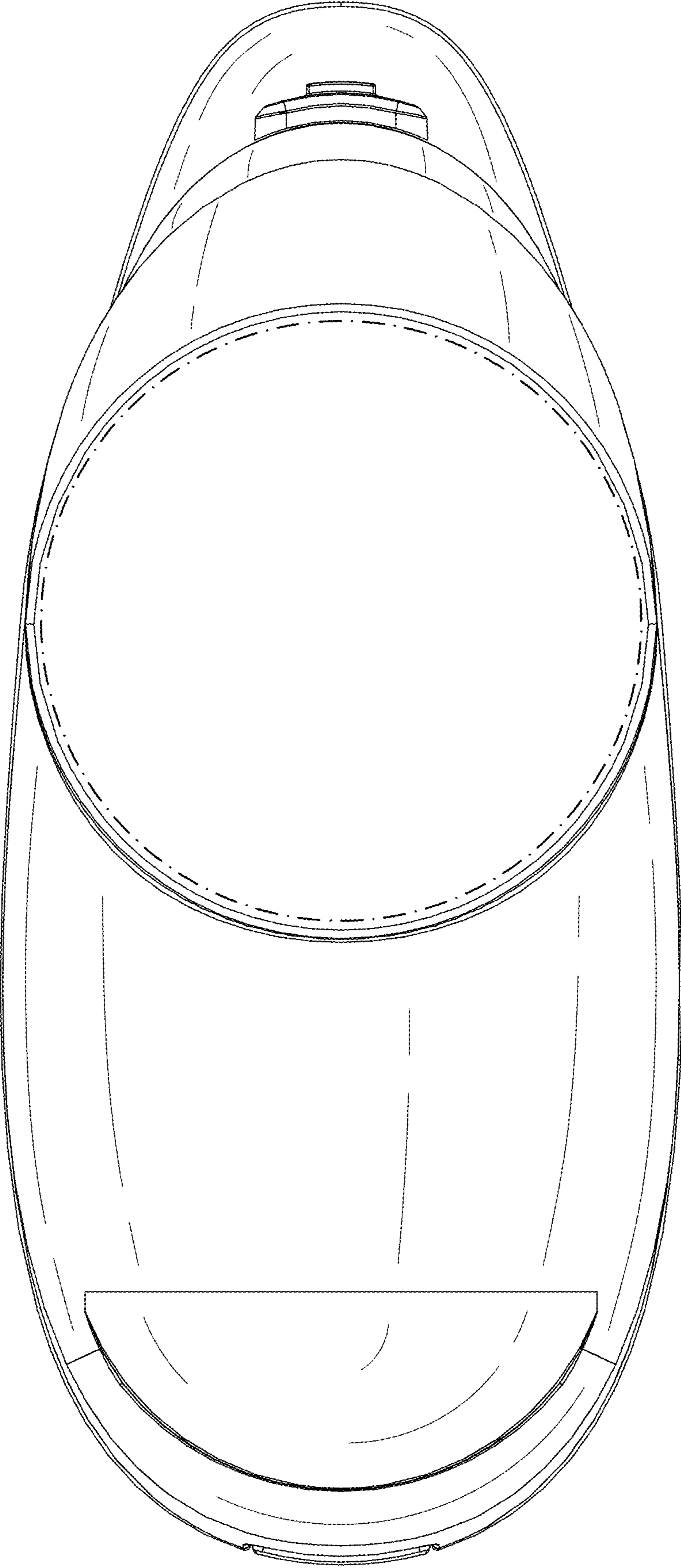
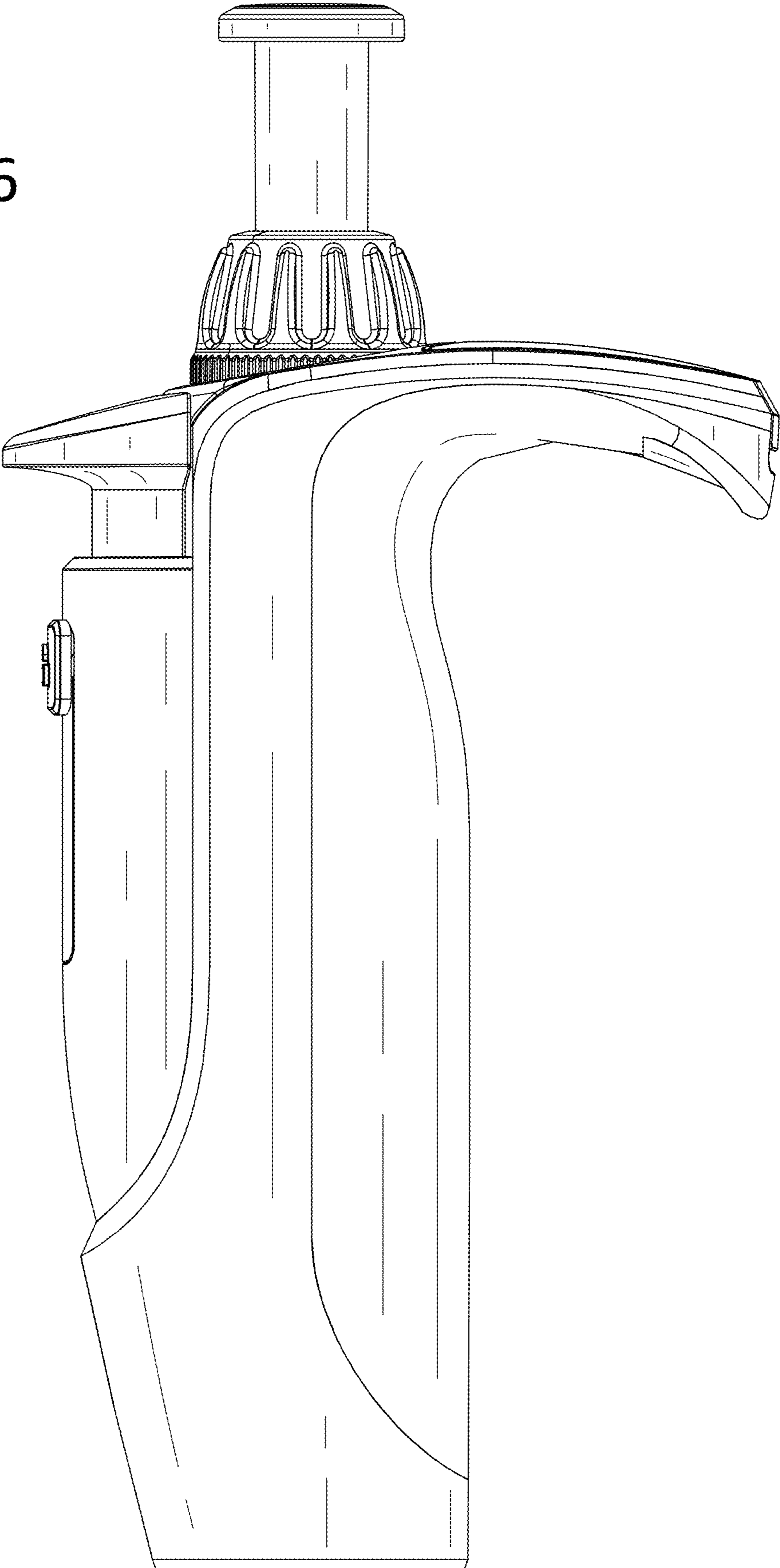


FIG. 6



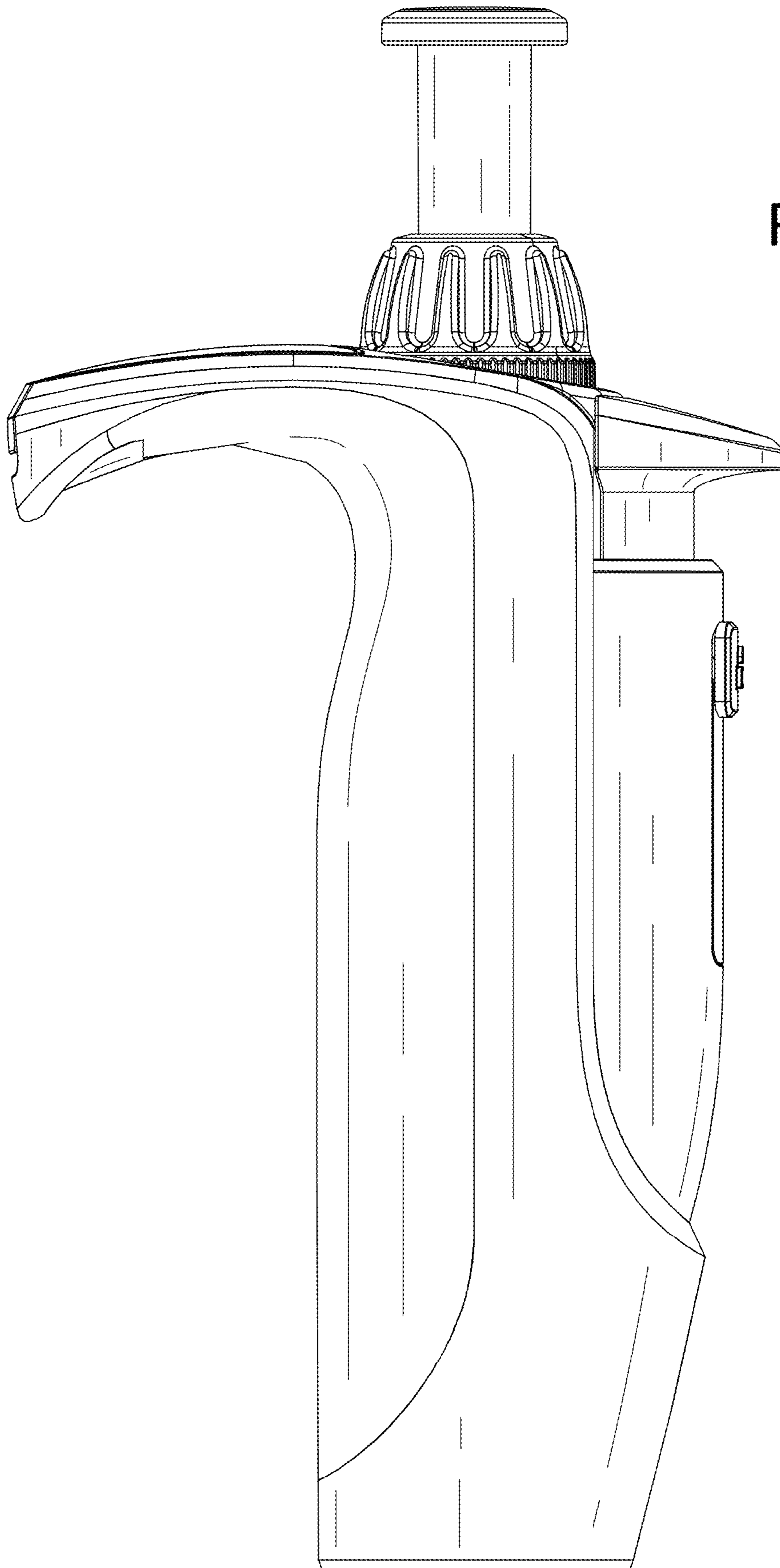


FIG. 7

FIG. 8

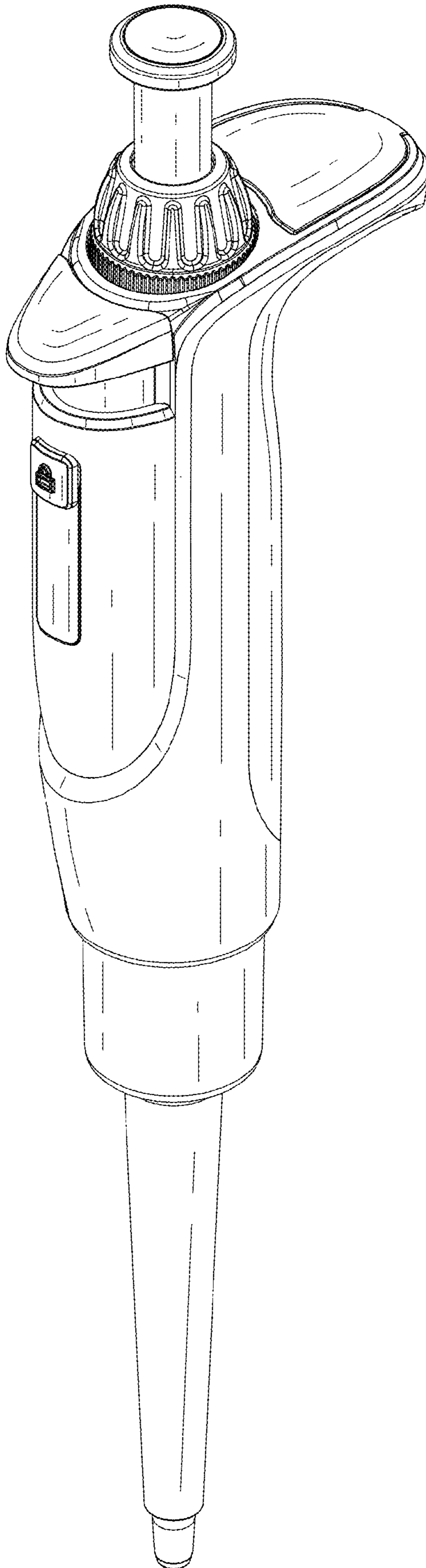


FIG. 9

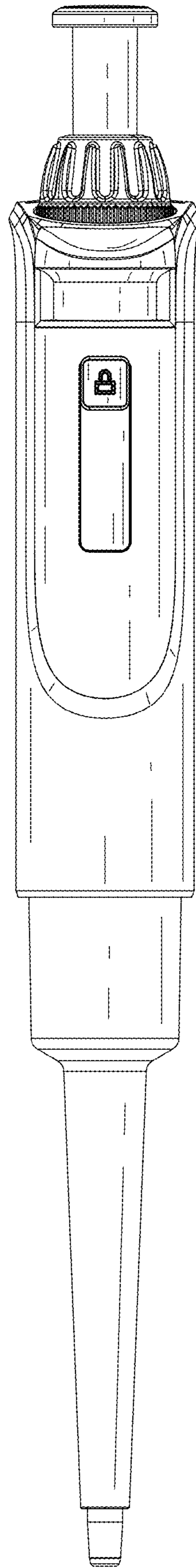


FIG. 10

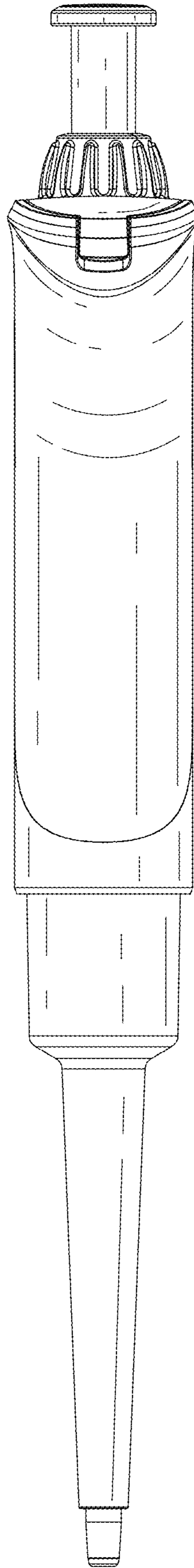


FIG. 11

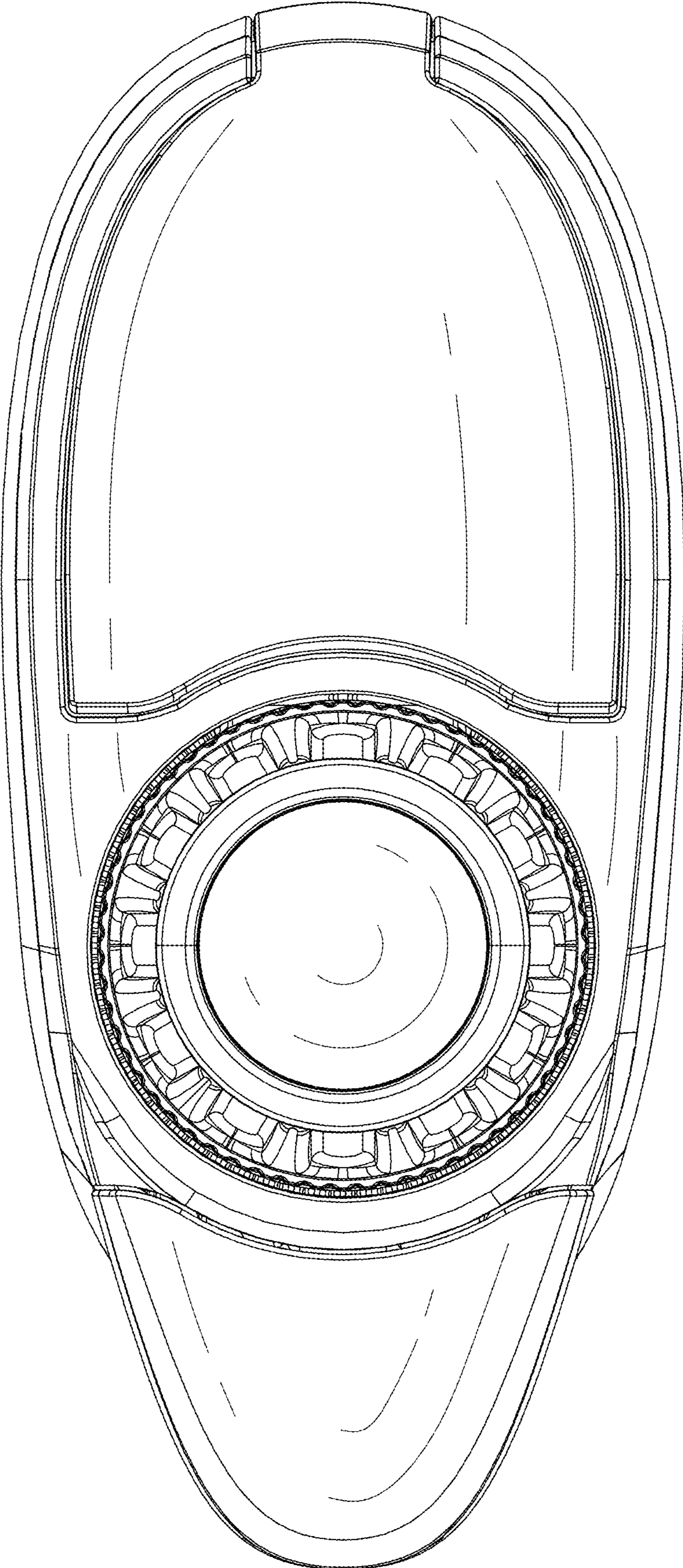


FIG. 12

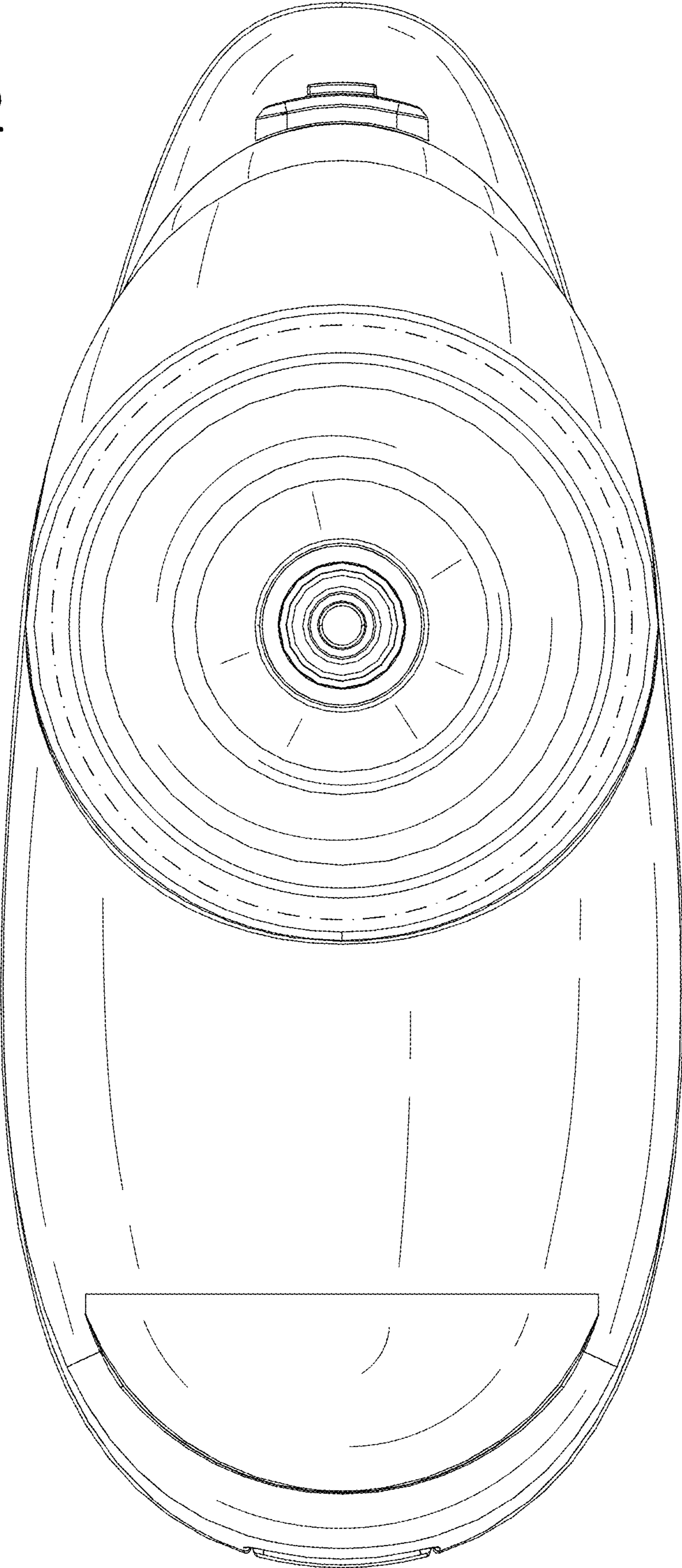
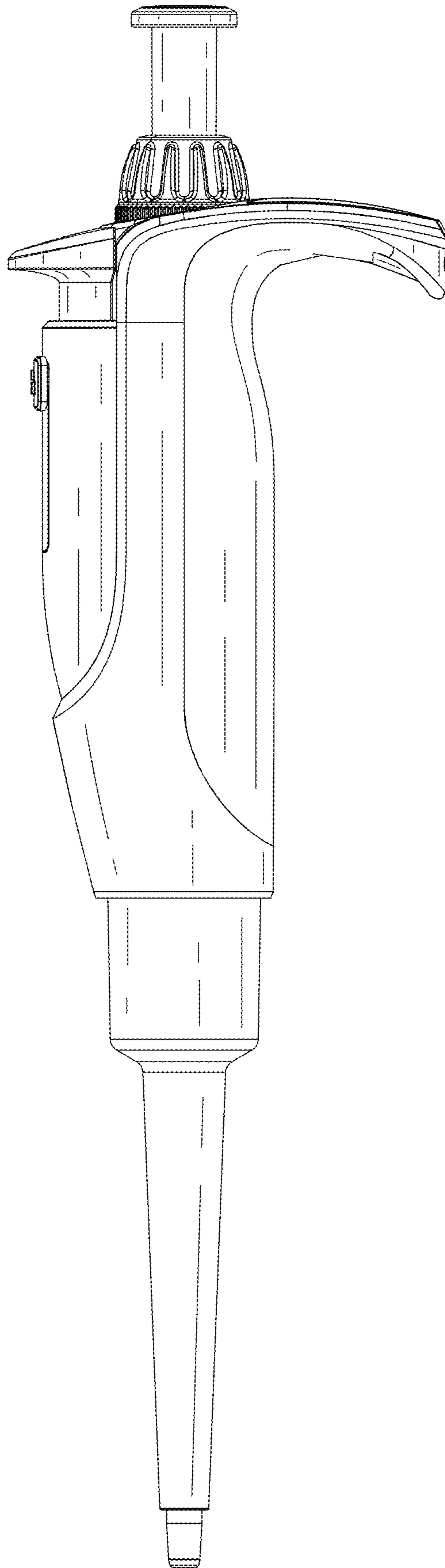


FIG. 13



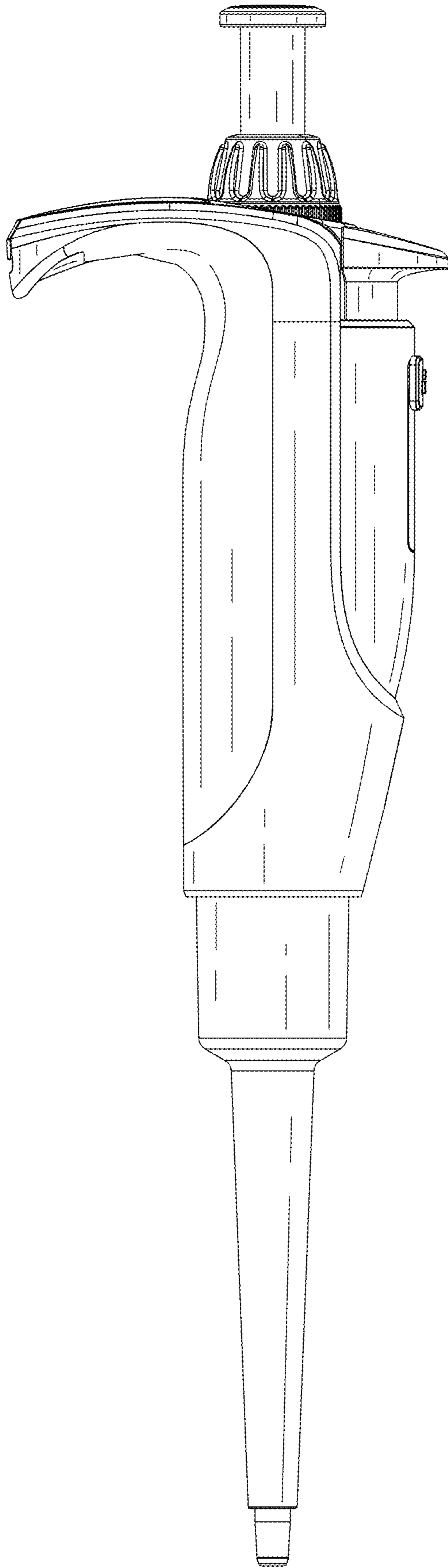


FIG. 14