



US00D924425S

(12) **United States Design Patent** (10) **Patent No.:** **US D924,425 S**
Grbic (45) **Date of Patent:** **** Jul. 6, 2021**

(54) **FITNESS APPARATUS**
(71) Applicant: **Margita Grbic**, Munich (DE)
(72) Inventor: **Margita Grbic**, Munich (DE)
(**) Term: **15 Years**
(21) Appl. No.: **35/509,249**

D895,133 S * 9/2020 Xu D24/215
D895,135 S * 9/2020 Xu D24/215
D905,863 S * 12/2020 Lin D24/215
D906,533 S * 12/2020 Xu D24/215
D907,229 S * 1/2021 Zhang D24/215
D908,908 S * 1/2021 Xu D24/215
D910,194 S * 2/2021 Radtke D24/215
D911,535 S * 2/2021 Yu D24/200
D913,517 S * 3/2021 Yu D24/215

* cited by examiner

(22) Filed: **Oct. 30, 2019**
(80) **Hague Agreement Data**
Int. Filing Date: **Oct. 30, 2019**
Int. Reg. No.: **DM/204886**
Int. Reg. Date: **Oct. 30, 2019**
Int. Reg. Pub. Date: **May 1, 2020**

Primary Examiner — George D. Kirschbaum
Assistant Examiner — Joseph J Kukella
(74) *Attorney, Agent, or Firm* — Seed IP Law Group LLP

(30) **Foreign Application Priority Data**
Apr. 30, 2019 (EM) 006398988-0001
Apr. 30, 2019 (EM) 006398988-0002
Apr. 30, 2019 (EM) 006398988-0003

(57) **CLAIM**

The ornamental design for a fitness apparatus, as shown and described.

(51) **LOC (13) Cl.** **21-02**
(52) **U.S. Cl.**
USPC **D24/215**
(58) **Field of Classification Search**
USPC D21/662; D24/171, 200, 211, 214, 215
CPC A61H 23/00; A61H 23/006; A61H 23/02
See application file for complete search history.

DESCRIPTION

The patent or application file contains at least one drawing executed in color. Copies of this patent or patent application publication with color drawing(s) will be provided by the Office upon request and payment of the necessary fee.

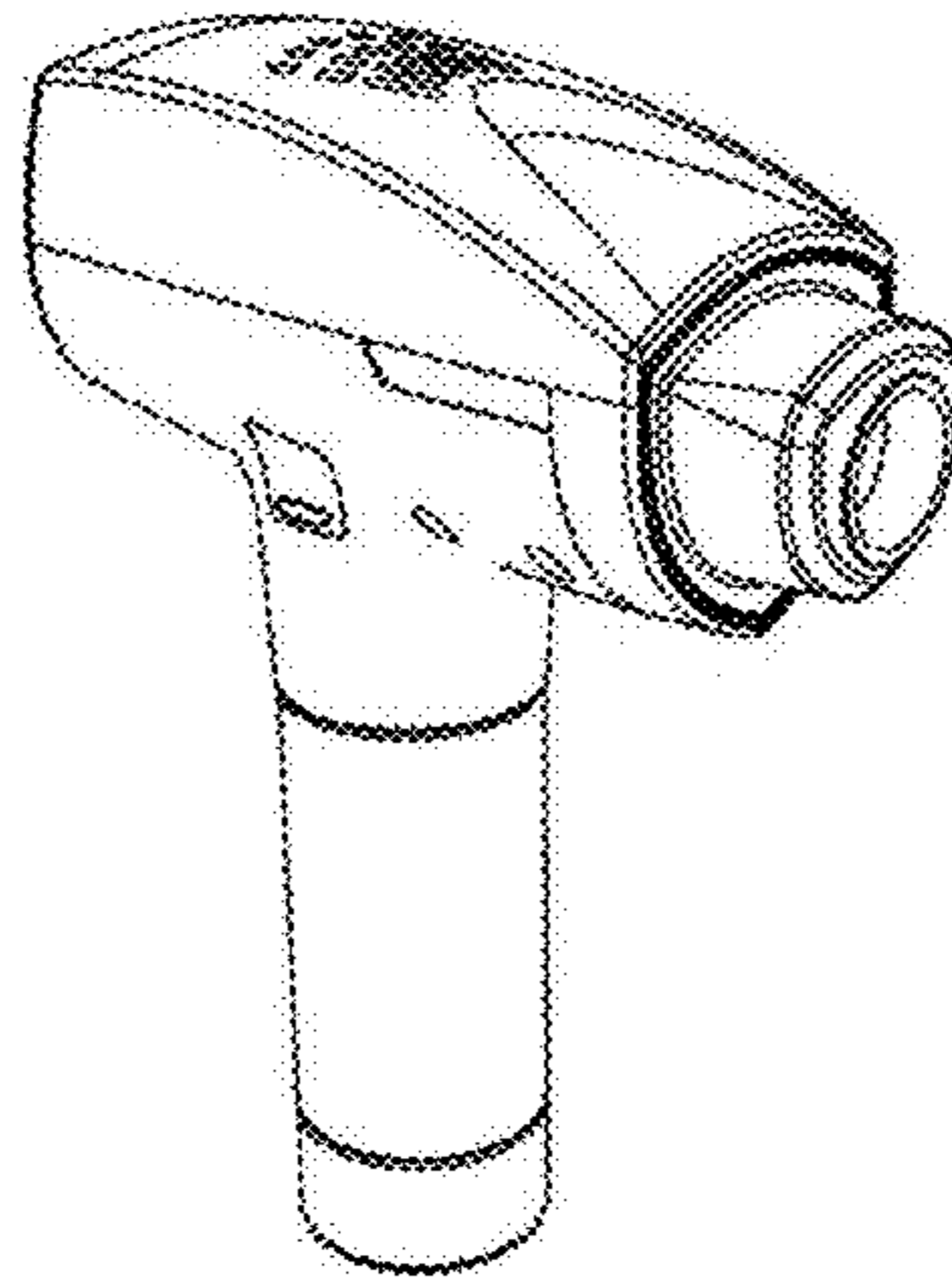
(56) **References Cited**
U.S. PATENT DOCUMENTS
D873,432 S * 1/2020 Duan D24/214
D875,961 S * 2/2020 Li D24/211

- 1.-3. Fitness apparatus
- 1.1 : Right
- 1.2 : Left
- 2.1 : Left
- 2.2 : Right

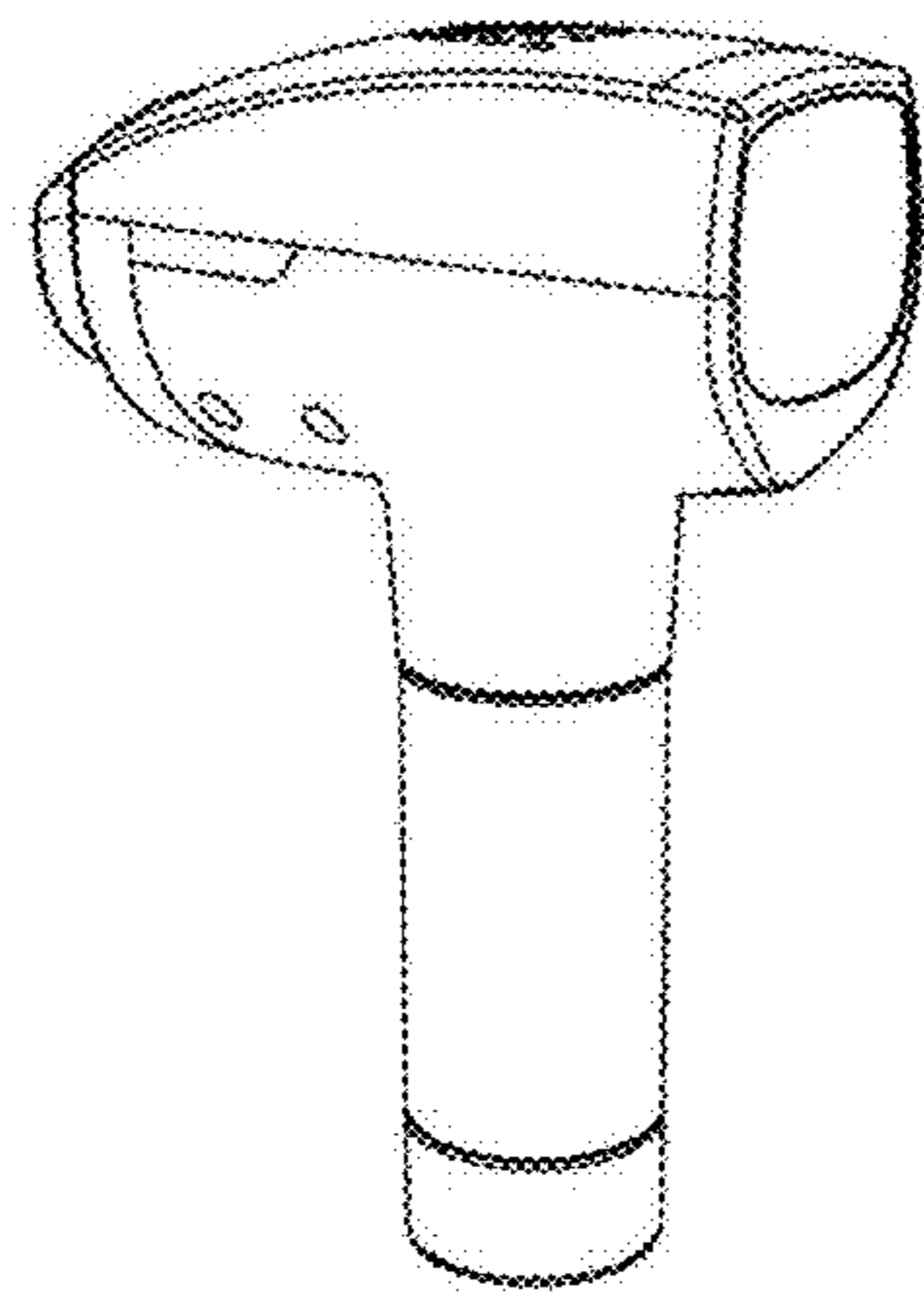
1 Claim, 4 Drawing Sheets
(2 of 4 Drawing Sheet(s) Filed in Color)



1.1



1.2



2.1



2.2

