



US00D924424S

(12) **United States Design Patent** (10) **Patent No.:** **US D924,424 S**
Wang (45) **Date of Patent:** **** Jul. 6, 2021**

(54) **MESSAGE GUN**

Primary Examiner — Cynthia Ramirez
Assistant Examiner — Michael A Maharajh

(71) Applicant: **SHENZHEN KEYULI ELECTRONIC CO., LTD**, Shenzhen (CN)

(57) **CLAIM**

The ornamental design for a message gun, as shown and described.

(72) Inventor: **Zhihua Wang**, Shenzhen (CN)

DESCRIPTION

(73) Assignee: **SHENZHEN KEYULI ELECTRONIC CO., LTD**, Shenzhen (CN)

FIG. 1 is a perspective view of a message gun showing my new design;

(**) Term: **15 Years**

FIG. 2 is another perspective view thereof;

(21) Appl. No.: **29/764,961**

FIG. 3 is a front elevational view thereof;

(22) Filed: **Jan. 5, 2021**

FIG. 4 is a rear elevational view thereof;

(51) **LOC (13) Cl.** **28-03**

FIG. 5 is a left side elevational view thereof;

(52) **U.S. Cl.**

FIG. 6 is a right side elevational view thereof;

USPC **D24/215**

FIG. 7 is a top plan view thereof;

(58) **Field of Classification Search**

USPC D24/200, 211, 212, 213, 214, 215;
D8/14.1; D28/13

FIG. 8 is a bottom plan view thereof;

CPC A61H 2015/0014; A61H 15/00; A61H
2015/0042

FIG. 9 is a perspective view of the message gun where the message gun is in a first configuration of use;

See application file for complete search history.

FIG. 10 is a perspective view of the message gun where the message gun is in a second configuration of use;

(56) **References Cited**

U.S. PATENT DOCUMENTS

- D616,558 S * 5/2010 Tsai D24/200
- D847,364 S * 4/2019 Lee D24/215
- 10,314,762 B1 * 6/2019 Marton A61H 23/006
- D855,822 S * 8/2019 Marton D24/215

FIG. 11 is a perspective view of the message gun where the message gun is in a third configuration of use;

FIG. 12 is a perspective view of the message gun where the message gun is in a fourth configuration of use;

FIG. 13 is a perspective view of the message gun where the message gun is in a fifth configuration of use;

FIG. 14 is a perspective view of the message gun where the message gun is in a sixth configuration of use;

FIG. 15 is an enlarged view of portion 15 shown in FIG. 1;

and,

FIG. 16 is an enlarged view of portion 16 shown in FIG. 3.

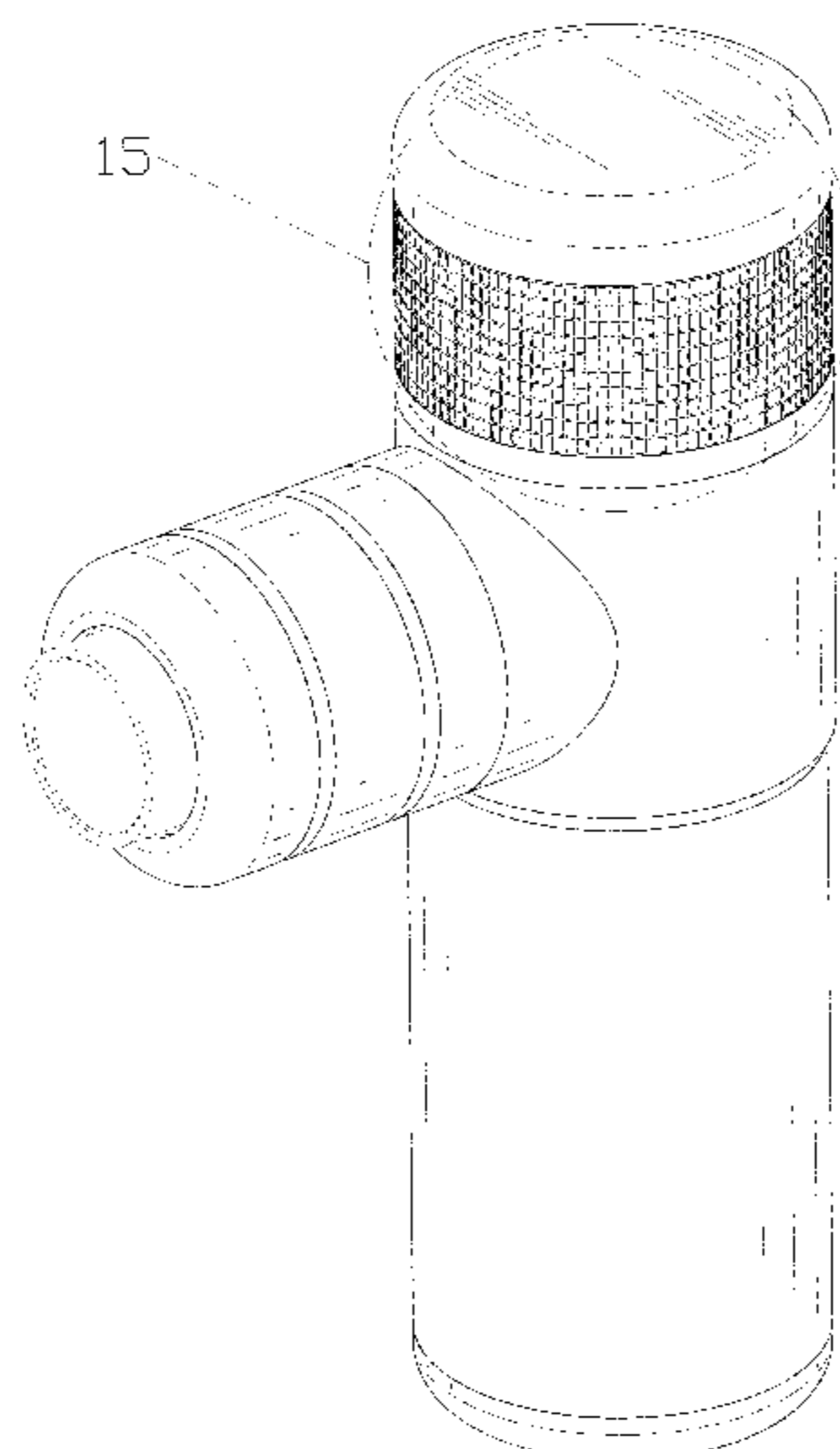
The attachments on the front of the message gun shown in FIGS. 9-14 are for the purposes of illustrating environmental structure which form no part of the claimed design. The dash dot broken lines shown in FIGS. 1, 3, 15 and 16 are for the purposes of showing enlarged areas, which form no part of the claimed design. The remaining areas shown in broken lines are for the purposes of illustrating portions of the message gun, which form no part of the claimed design.

(Continued)

OTHER PUBLICATIONS

Amazon, "BDSM Massage Gun", Mar. 26, 2021. https://www.amazon.com/BDSM-Portable-Massager-Ultra-Quiet-Changeable/dp/B08X6VY15N/ref=sr_1_410?dchild=1&keywords=pocket+massage+gun&qid=1616779174&s=hpc&sr=1-410. Shown on p. 1. (Year: 2021).*

1 Claim, 16 Drawing Sheets



(56)

References Cited

U.S. PATENT DOCUMENTS

D866,790 S *	11/2019	Lee	D24/215	D895,133 S *	9/2020	Xu	D24/215
D872,869 S *	1/2020	Lu	D24/215	D895,135 S *	9/2020	Xu	D24/215
D873,432 S *	1/2020	Duan	D24/214	D895,829 S *	9/2020	Hu	D24/215
D874,015 S *	1/2020	Marton	D24/215	D895,831 S *	9/2020	Chen	D24/215
D875,961 S *	2/2020	Li	D24/211	D896,396 S *	9/2020	Wersland	D24/215
D877,351 S *	3/2020	Wersland	D24/215	D898,209 S *	10/2020	Xu	D24/214
D879,985 S *	3/2020	Wersland	D24/214	D898,933 S *	10/2020	Xu	D24/215
D879,986 S *	3/2020	Wersland	D24/214	D899,620 S *	10/2020	Huang	D24/215
D880,714 S *	4/2020	Wersland	D24/215	D900,329 S *	10/2020	Xu	D24/215
D880,715 S *	4/2020	Wersland	D24/215	D905,863 S *	12/2020	Lin	D24/215
D880,716 S *	4/2020	Wersland	D24/215	D906,533 S *	12/2020	Xu	D24/215
D884,205 S *	5/2020	Zhuang		D907,229 S *	1/2021	Zhang	D24/215
D884,207 S *	5/2020	Ma	D24/215	D907,230 S *	1/2021	Zhang	D24/215
D884,915 S *	5/2020	Wersland	D24/215	D908,908 S *	1/2021	Xu	D24/215
D885,601 S *	5/2020	Wersland	D24/215	D910,194 S *	2/2021	Radtke	D24/215
D886,317 S *	6/2020	Marton	D24/215	D911,535 S *	2/2021	Yu	D24/200
D887,573 S *	6/2020	Wersland	D24/215	D912,267 S *	3/2021	Tang	D24/215
D893,738 S *	8/2020	Zhuang		D912,268 S *	3/2021	Xiang	D24/215
D895,132 S *	9/2020	Hu	D24/215	D912,835 S *	3/2021	Ren	D24/200
					D913,516 S *	3/2021	Zhang	D24/215
					D913,517 S *	3/2021	Yu	D24/215
					2018/0200141 A1 *	7/2018	Wersland	A61H 23/006

* cited by examiner

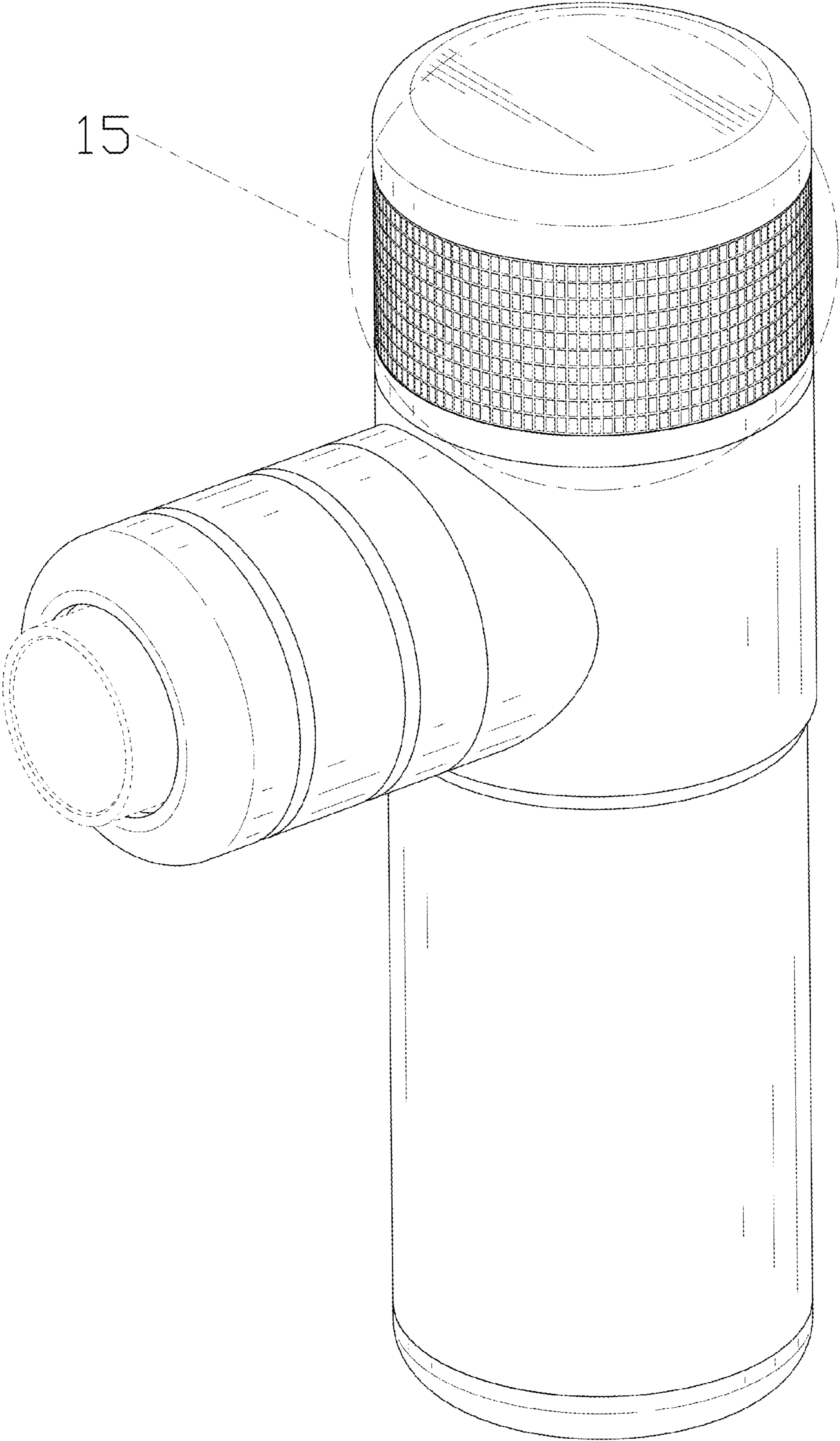


FIG. 1

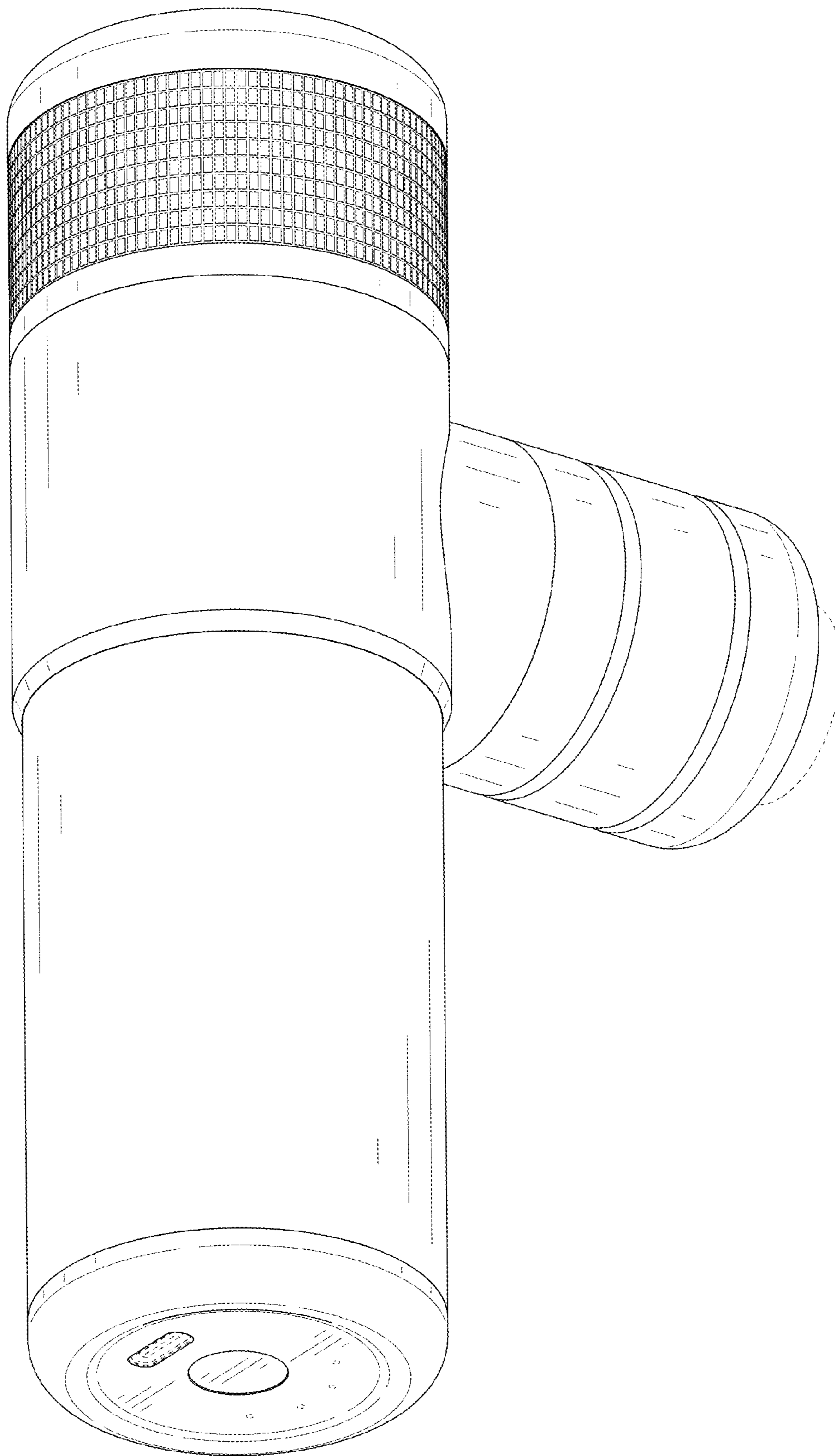


FIG. 2

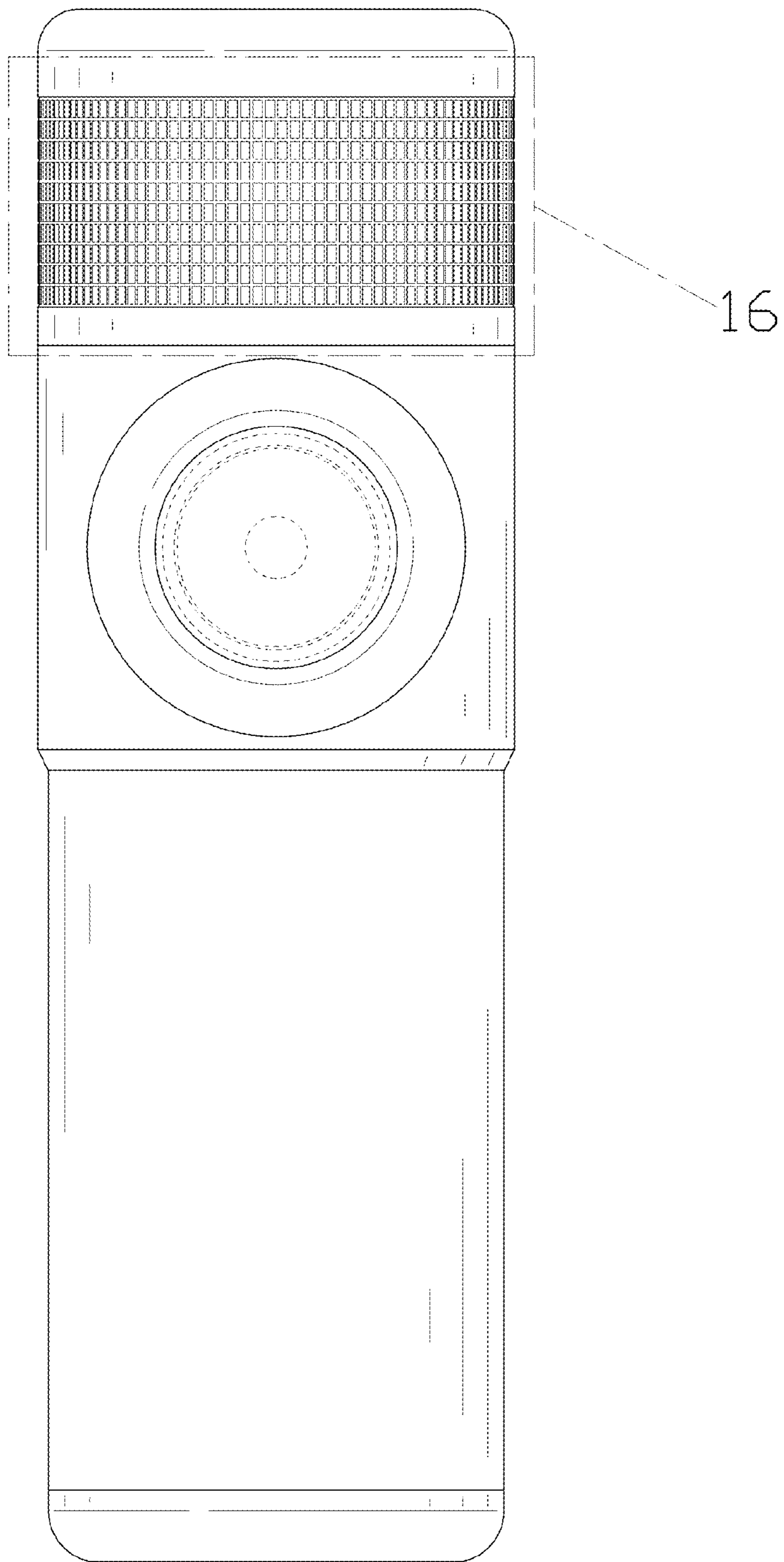


FIG. 3

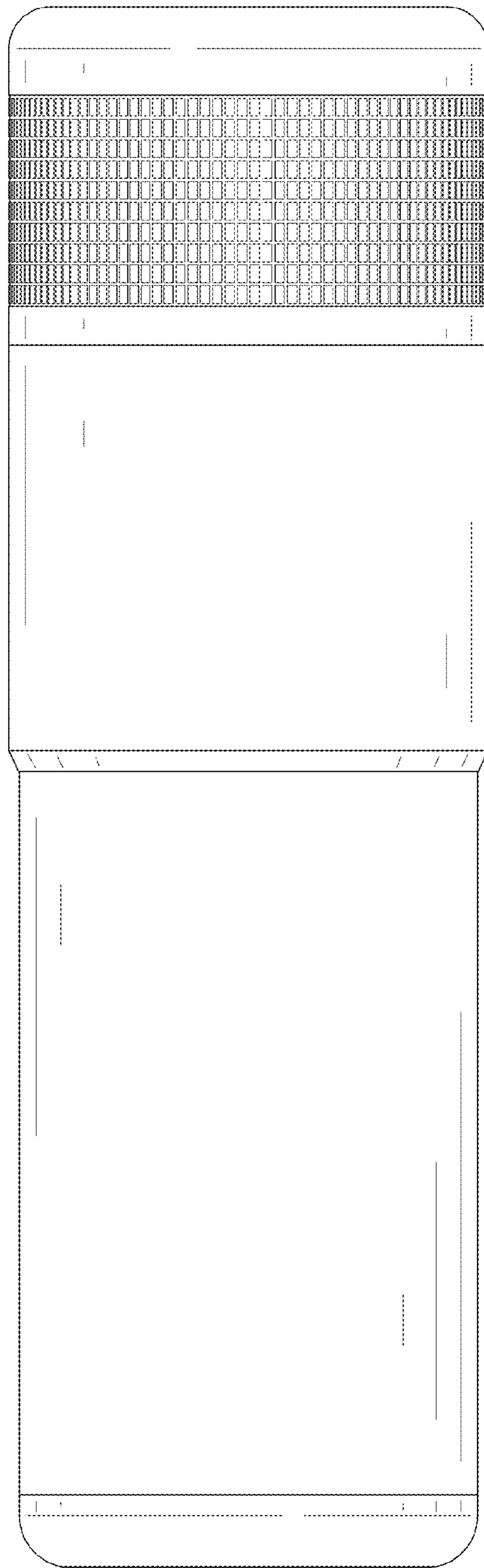


FIG. 4

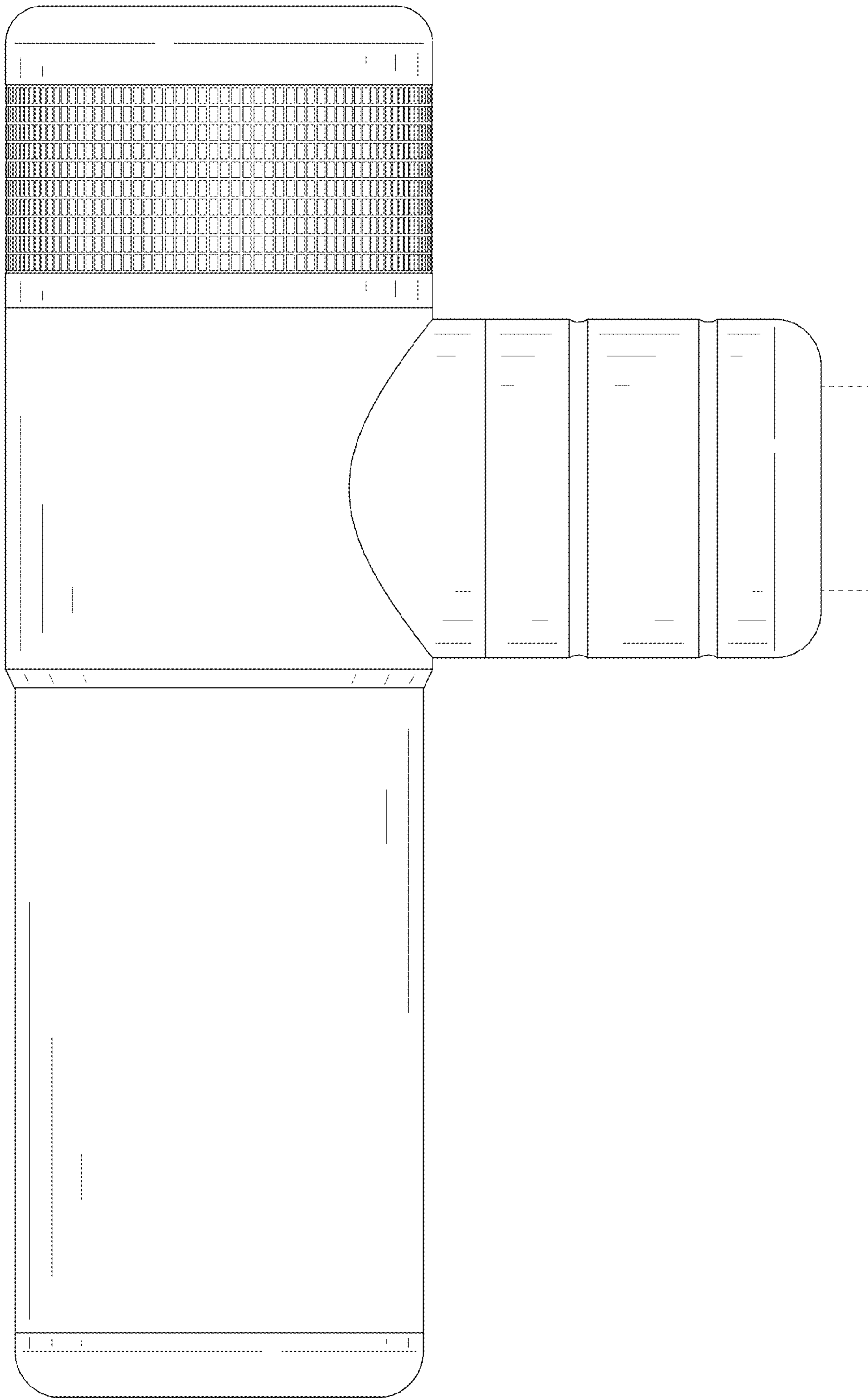


FIG. 5

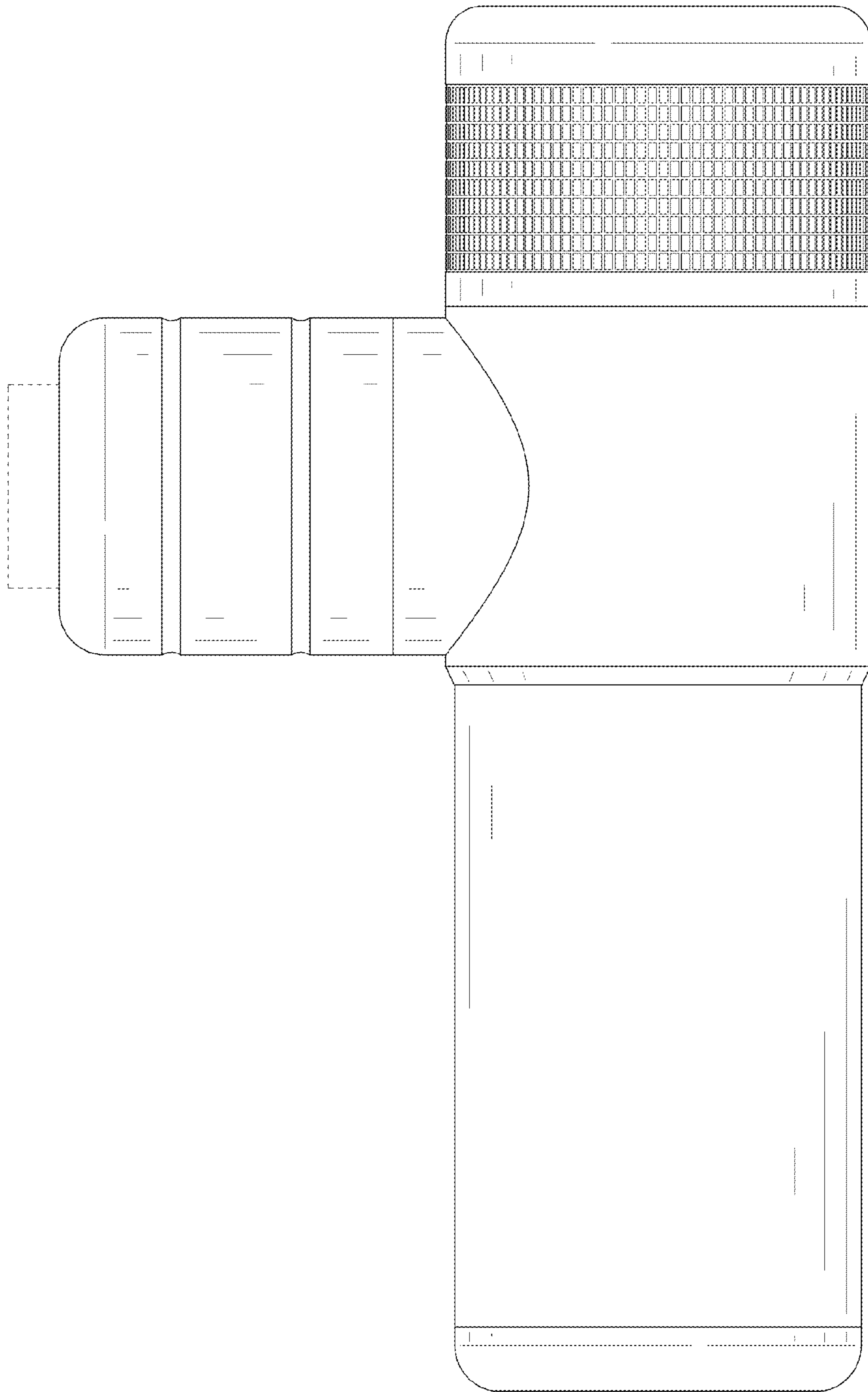


FIG. 6

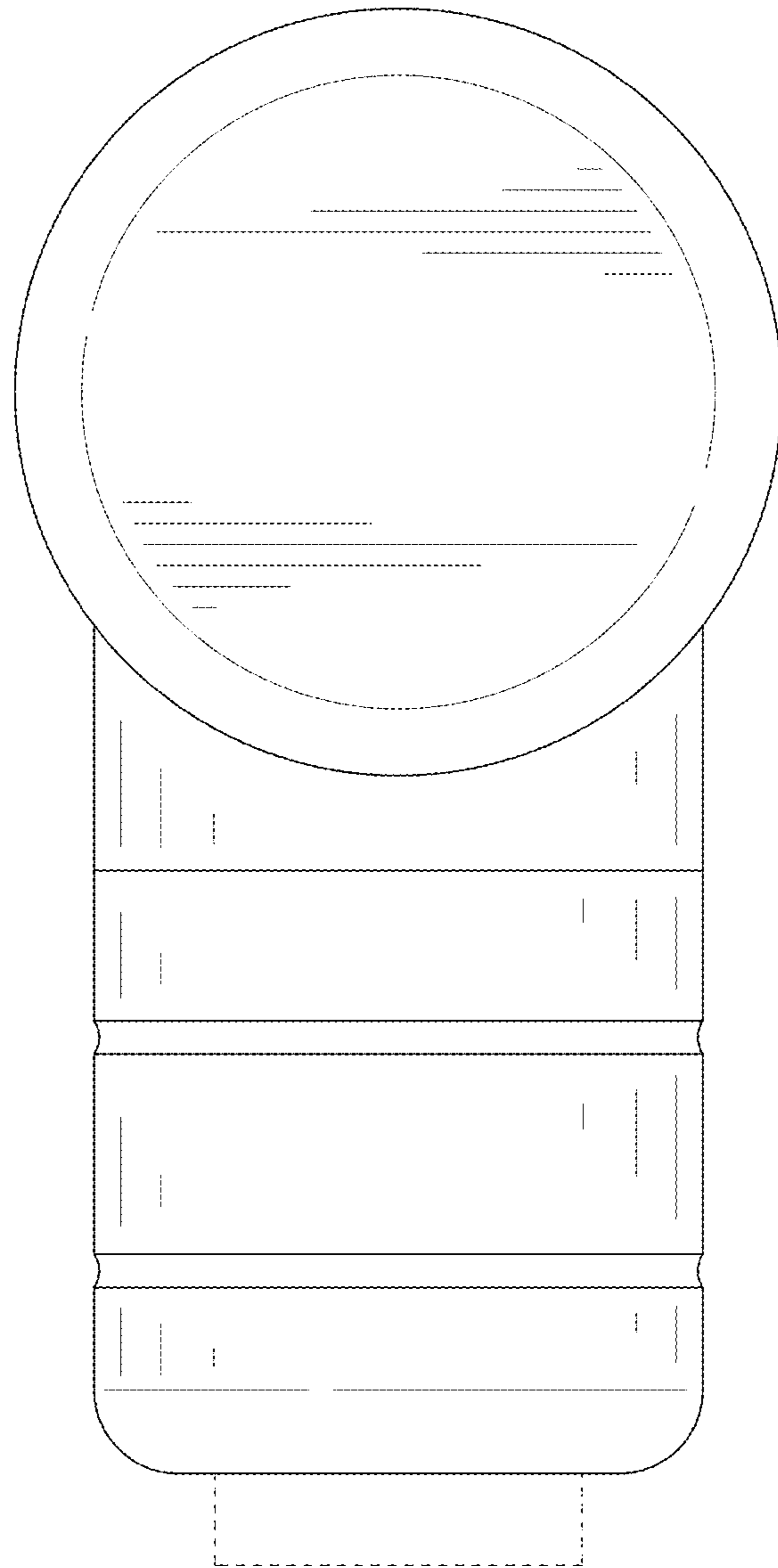


FIG. 7

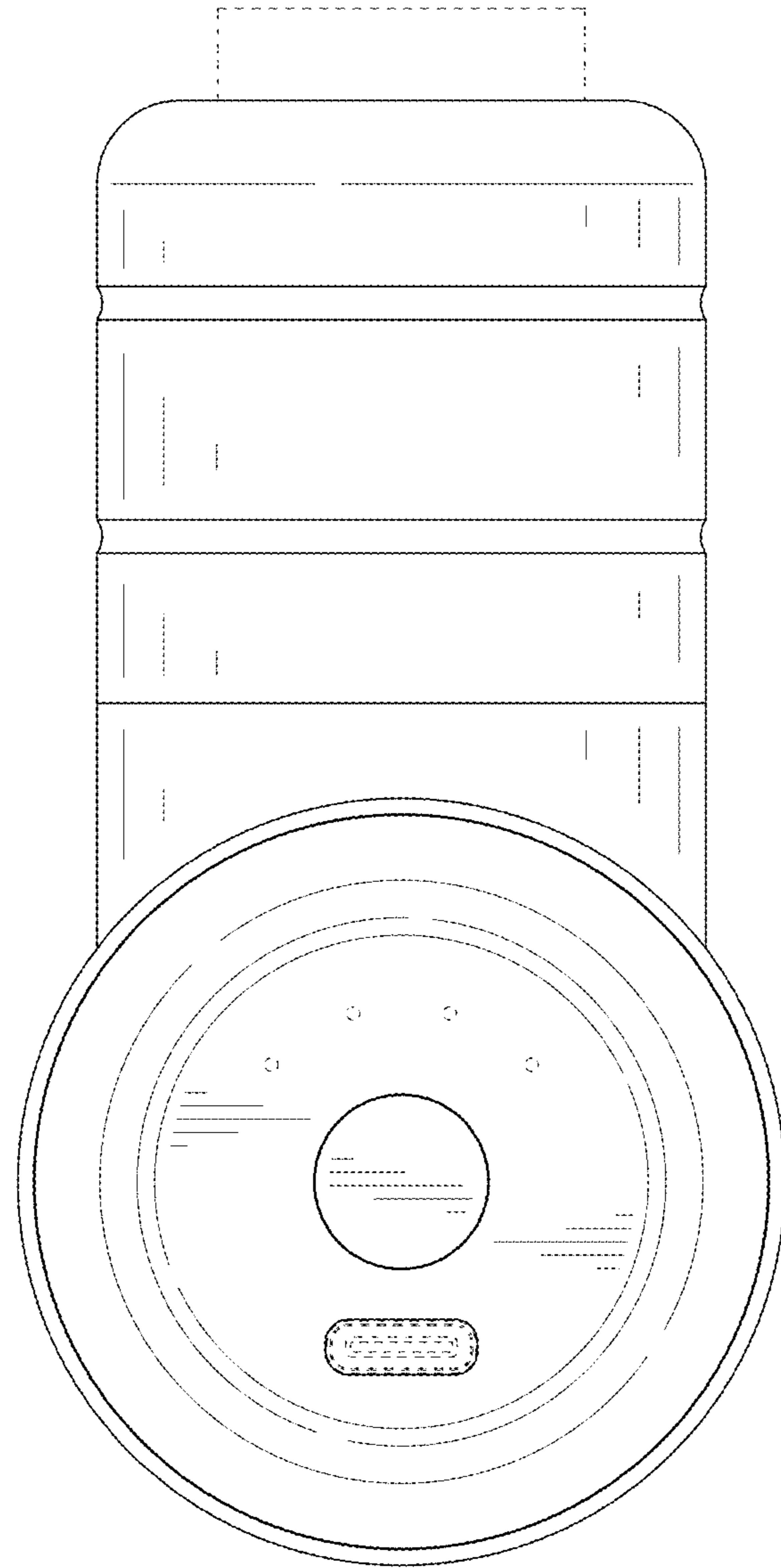


FIG. 8

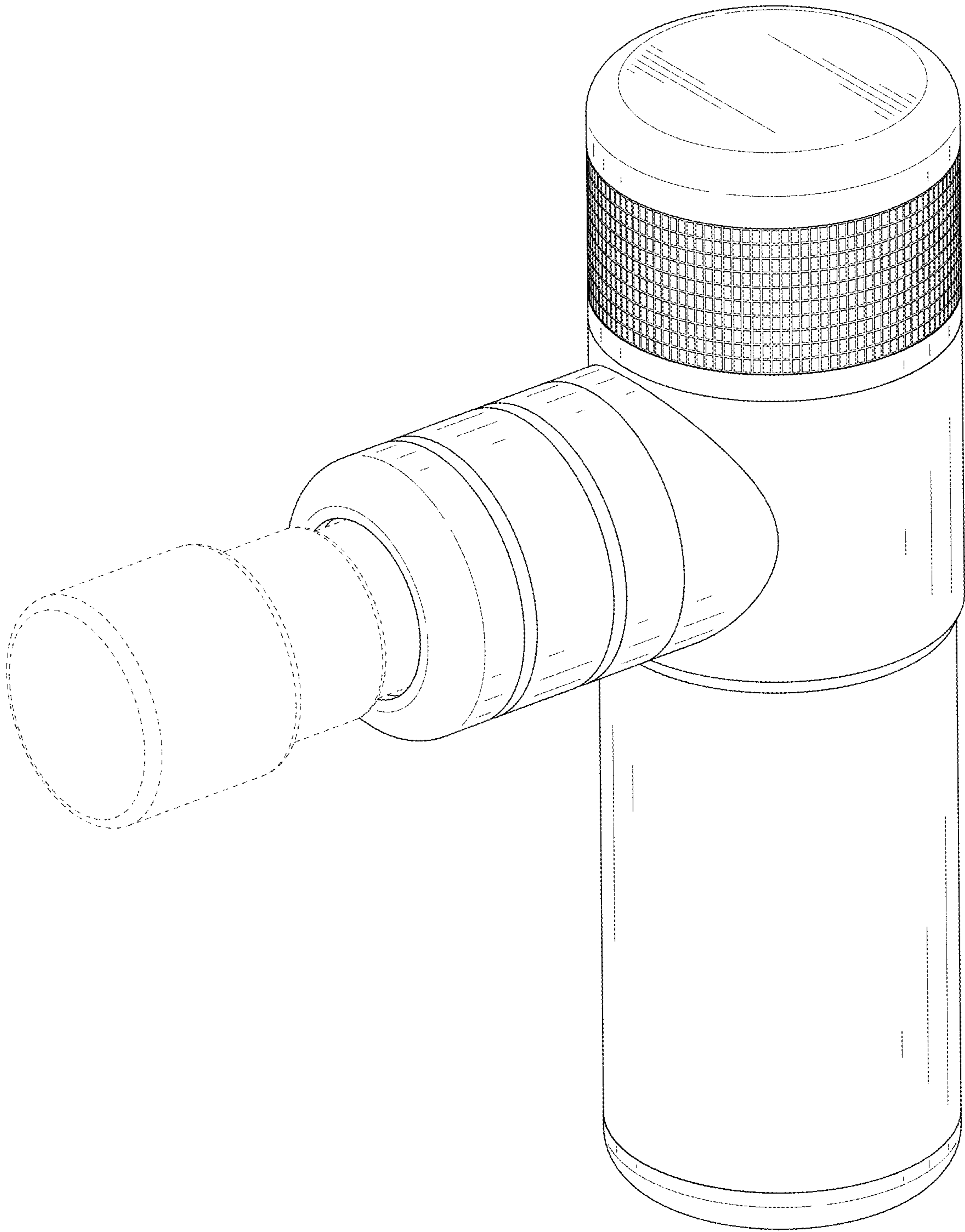


FIG. 9

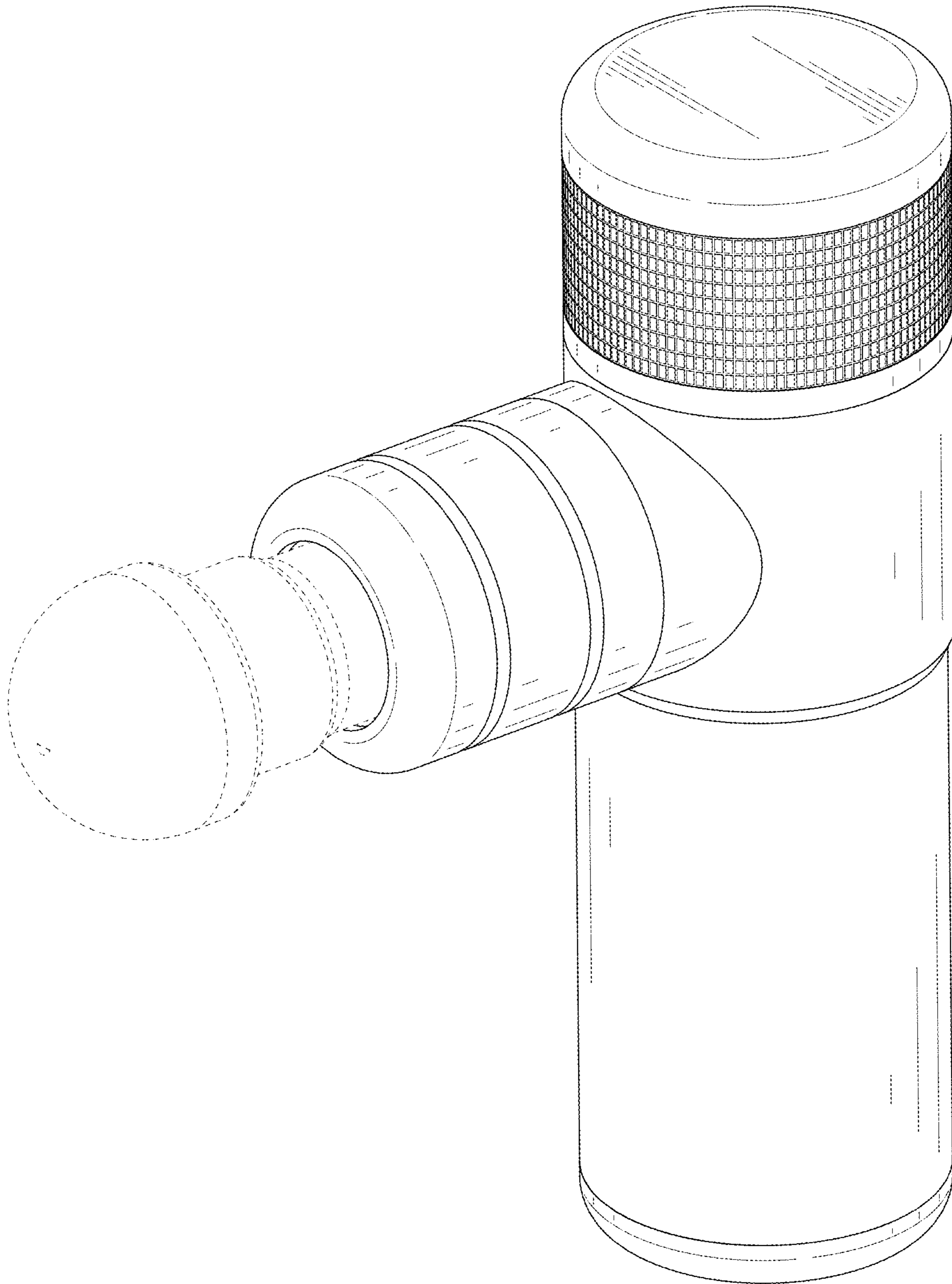


FIG. 10

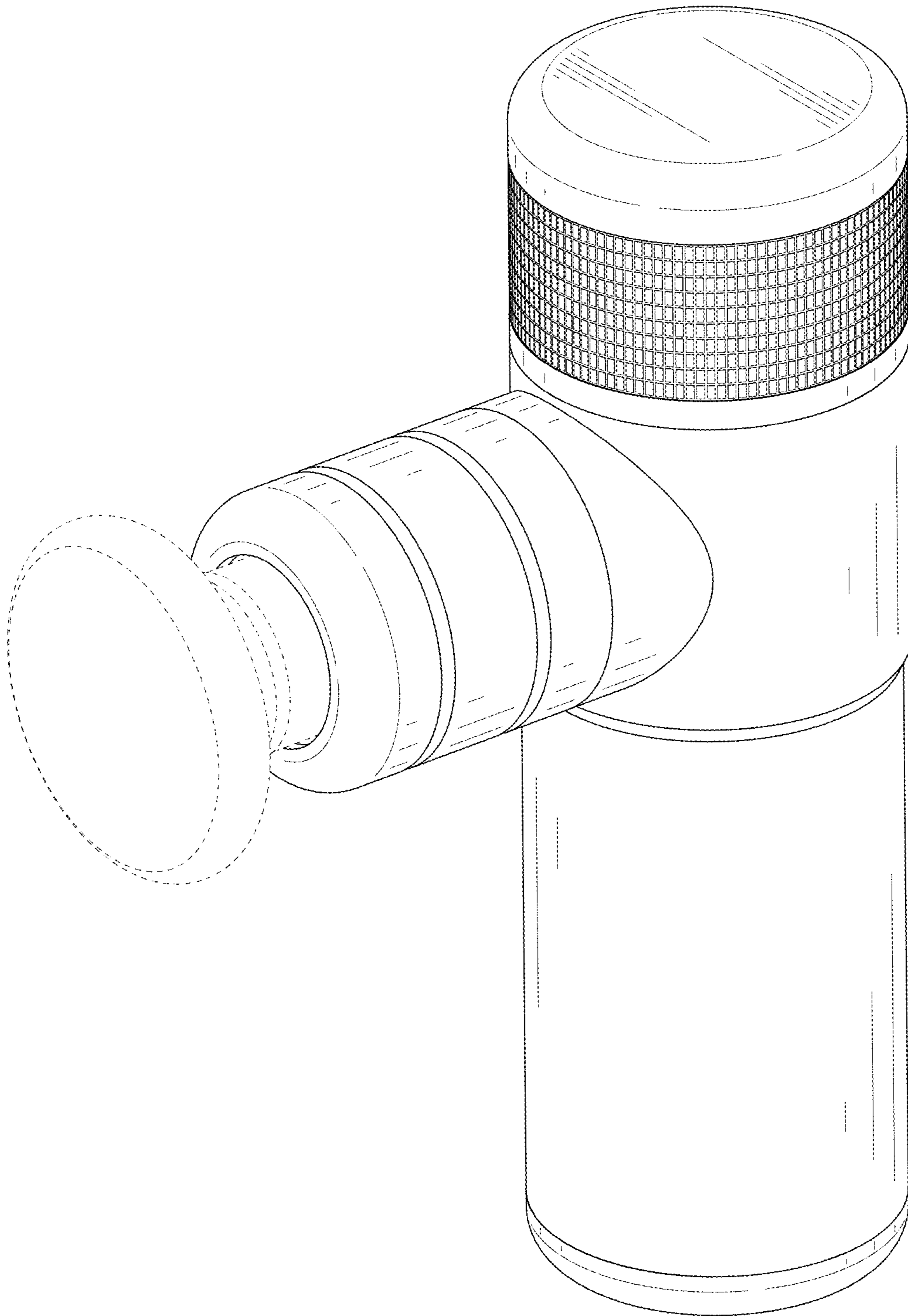


FIG. 11

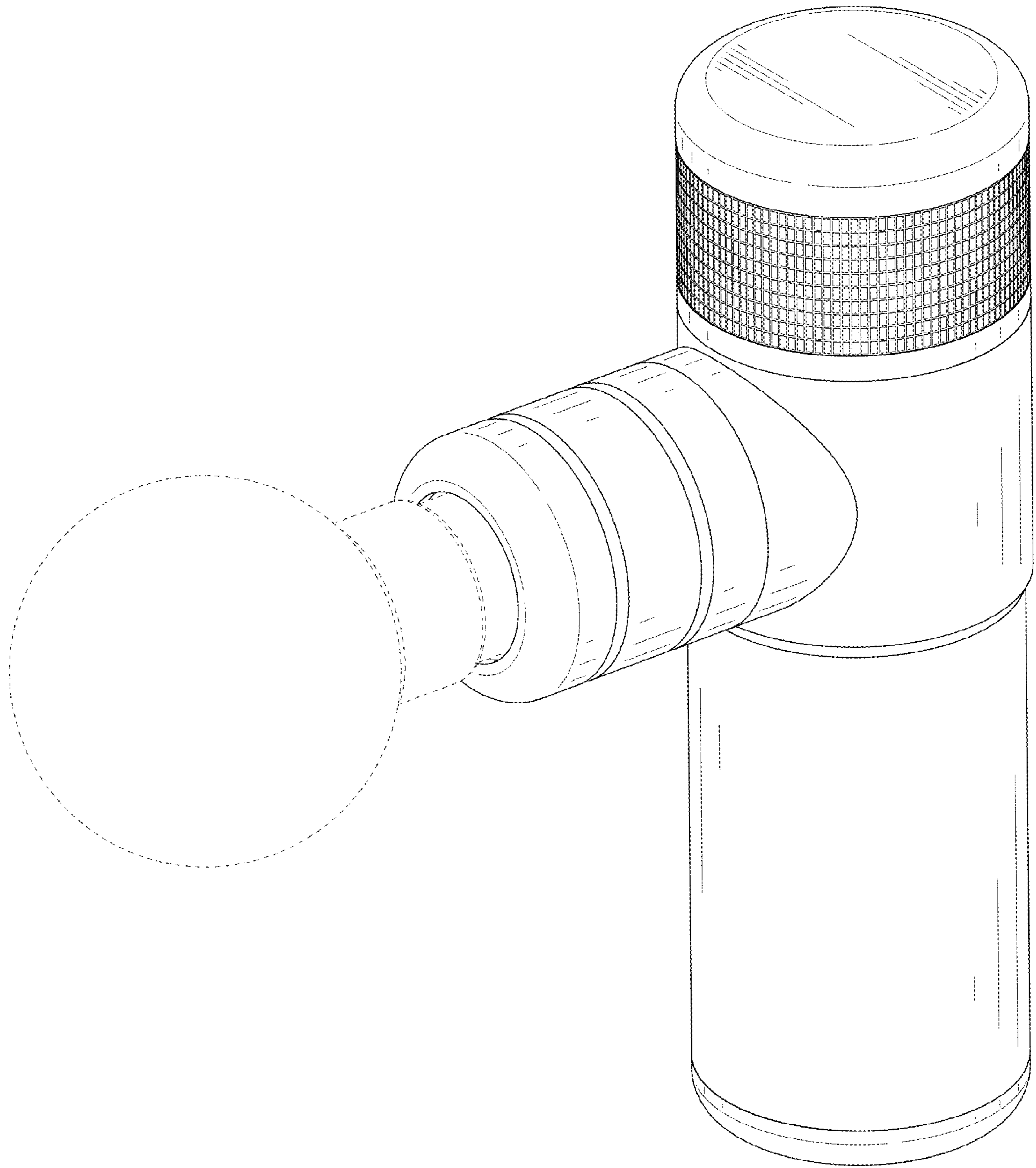


FIG. 12

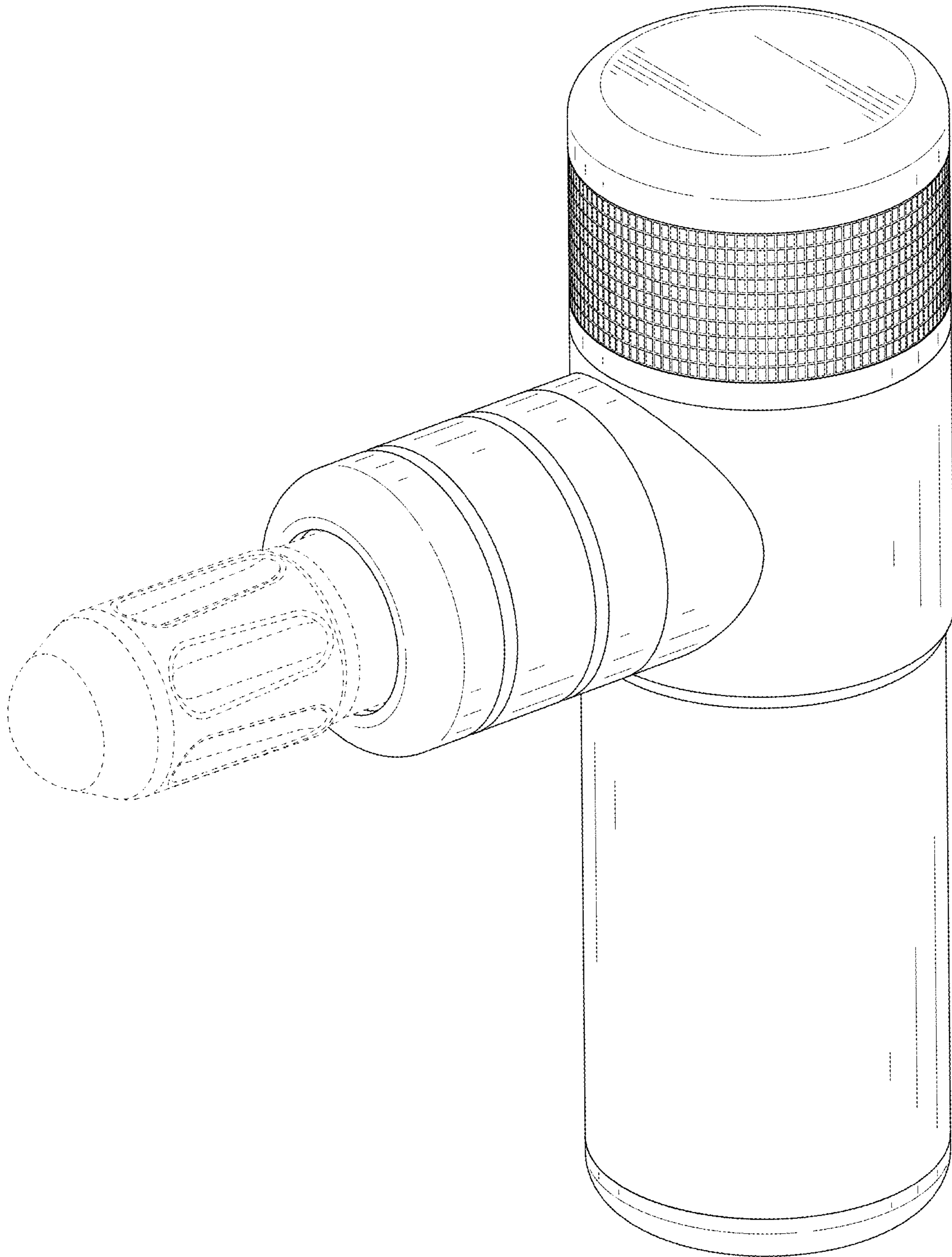


FIG. 13

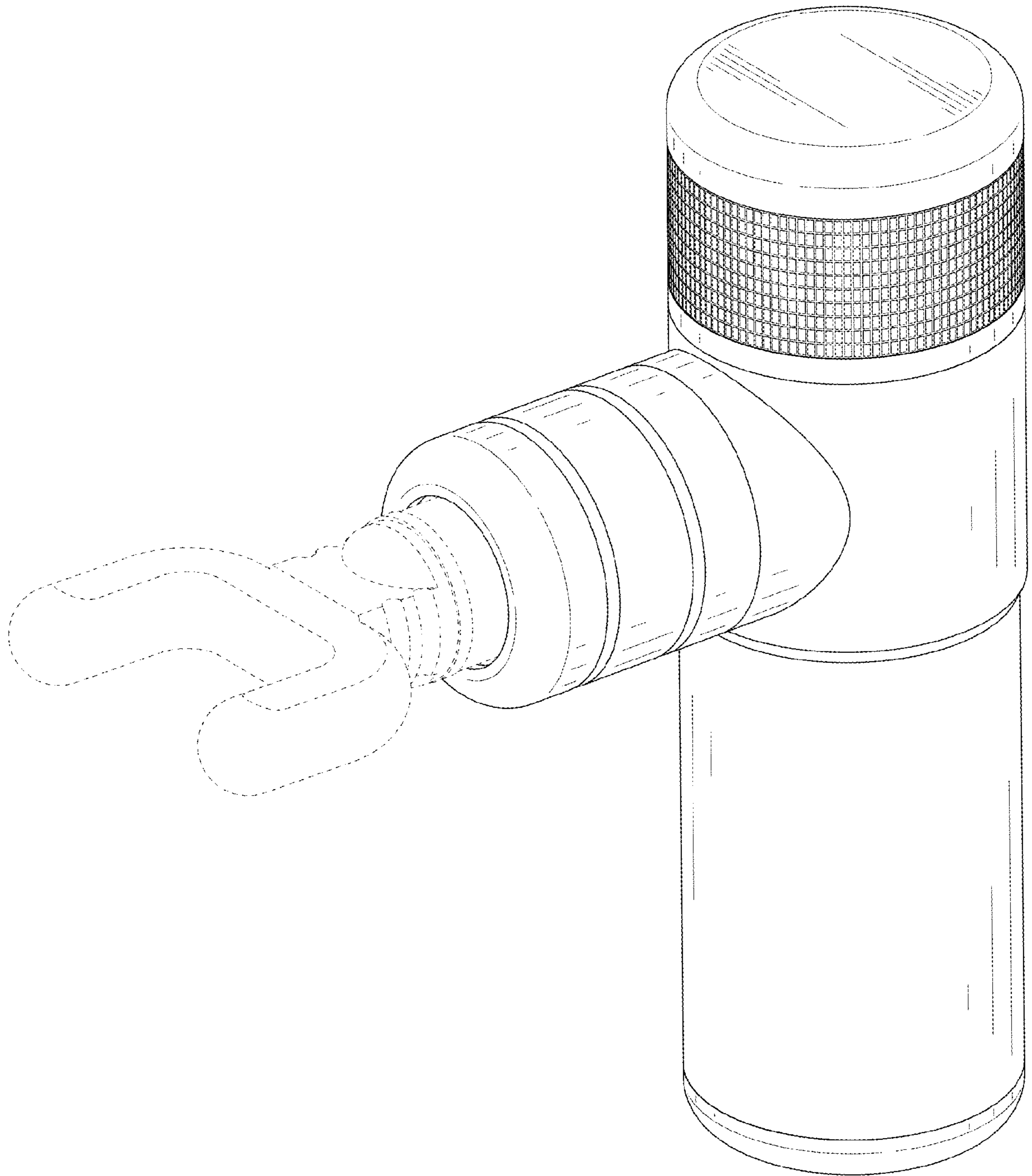


FIG. 14

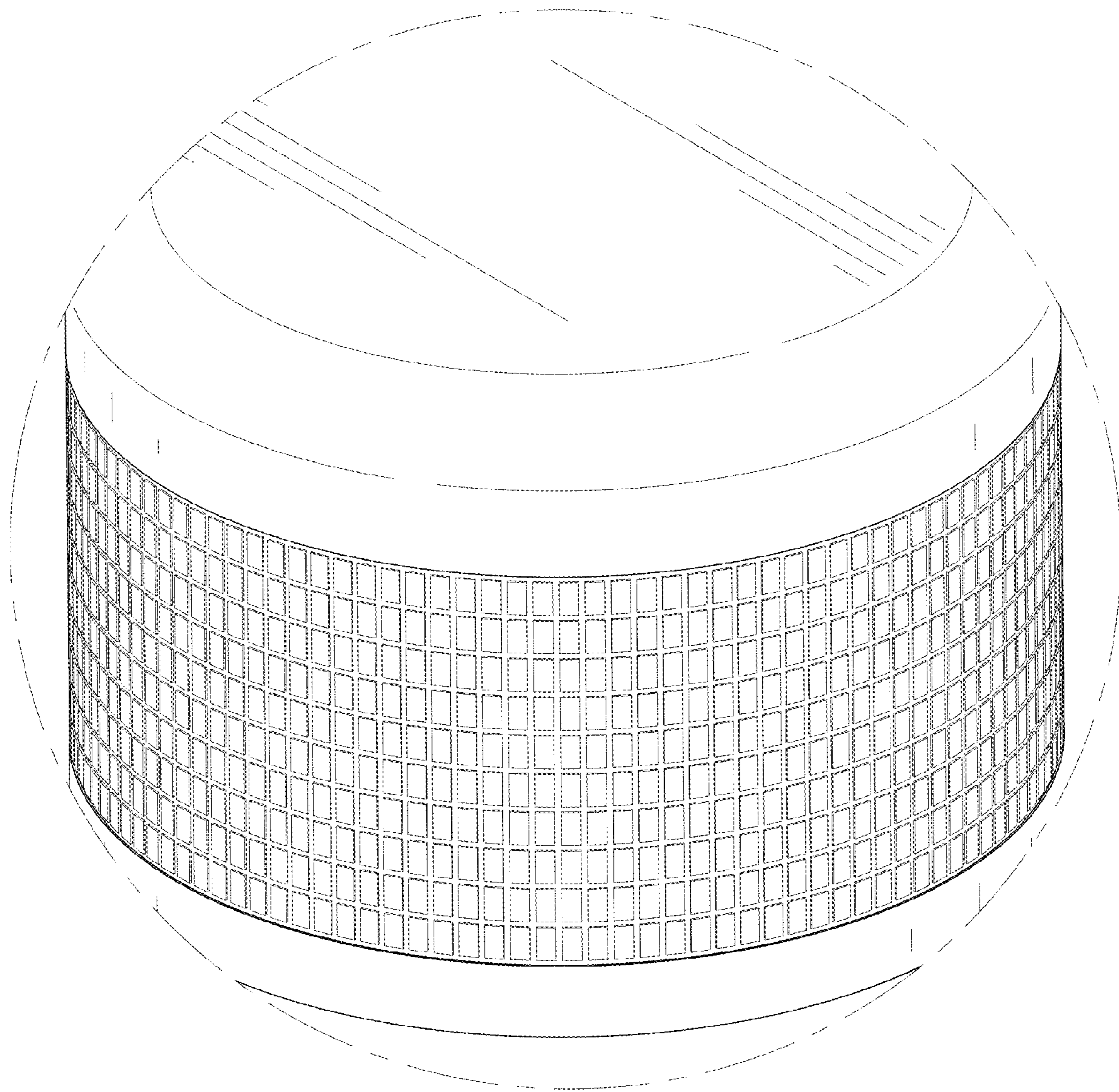


FIG. 15

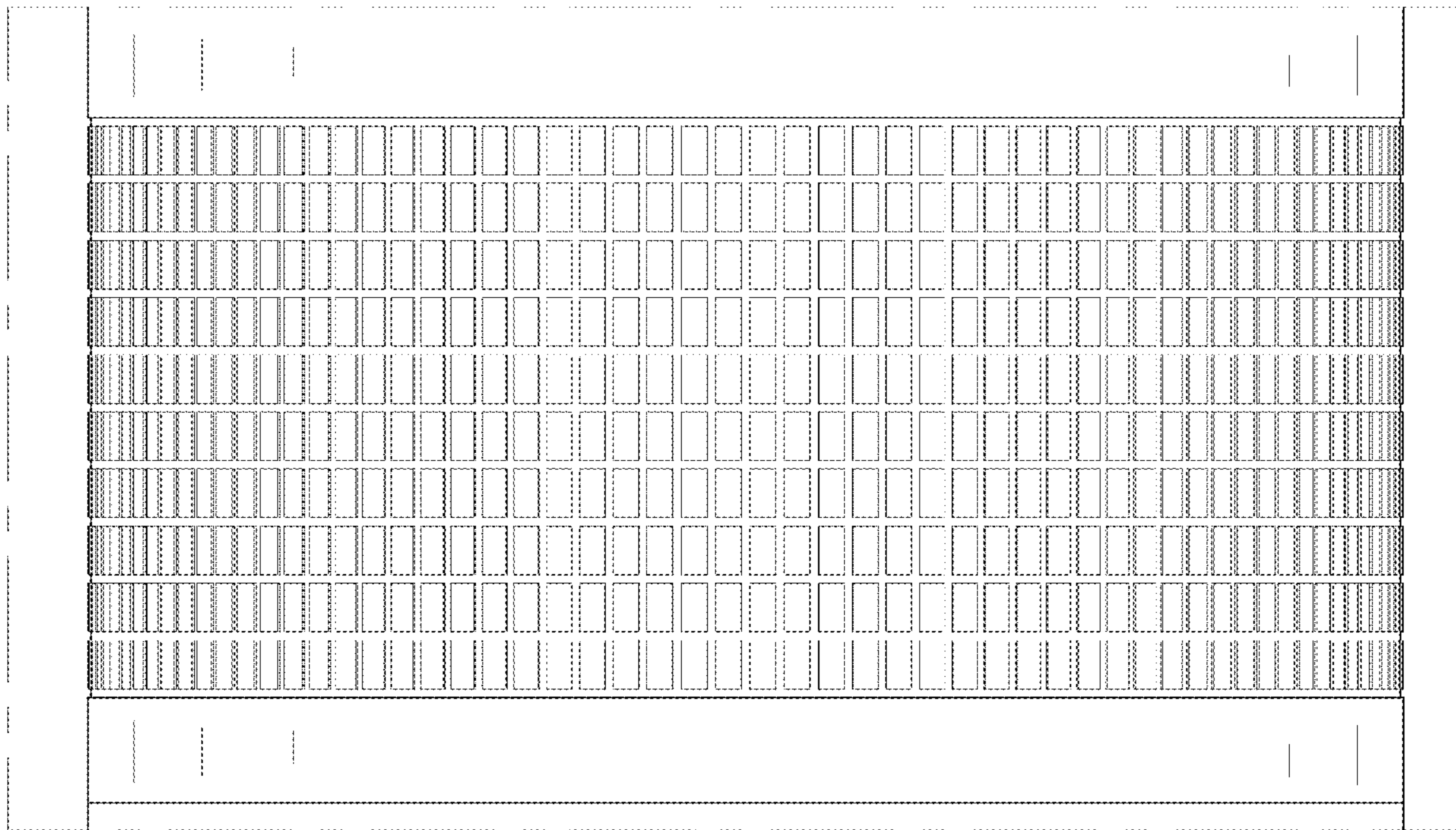


FIG. 16