



US00D924422S

(12) **United States Design Patent** (10) **Patent No.:** **US D924,422 S**
Huang (45) **Date of Patent:** **** Jul. 6, 2021**

(54) **PERCUSSIVE MASSAGE DEVICE**

(71) Applicant: **Shenzhen Fittop Health Technology Co., Ltd.**, Guangdong (CN)

(72) Inventor: **Wei Huang**, Guangdong (CN)

(**) Term: **15 Years**

(21) Appl. No.: **29/723,930**

(22) Filed: **Feb. 12, 2020**

(30) **Foreign Application Priority Data**

Aug. 15, 2019 (CN) 201930443563.1

(51) **LOC (13) Cl.** **28-03**

(52) **U.S. Cl.**
USPC **D24/215**

(58) **Field of Classification Search**
USPC D24/215, 200, 211, 212, 213, 214, 133,
D24/188, 107, 231; D8/14.1; D28/13
CPC A61H 9/00; A61H 9/005; A61H 9/0007;
A61H 2015/0007; A61H 2015/0042;
A61H 15/0092; A61H 23/00; A61H
23/006; A61H 2023/002; A61H 23/06;
A61H 23/0254; A61H 23/02; A61H
2201/0153; A61H 2201/0157; A61H
7/005; A61H 7/003; A61H 1/00; A61H
1/008

See application file for complete search history.

(56) **References Cited**

U.S. PATENT DOCUMENTS

6,682,496 B1 * 1/2004 Pivaroff A61H 7/005
601/101
D544,102 S * 6/2007 Pivaroff D24/215
D725,978 S * 4/2015 Uematsu D8/14.1
D791,407 S * 7/2017 Smith D28/13
D898,933 S * 10/2020 Xu D24/215
D905,863 S * 12/2020 Lin D24/215

D906,533 S * 12/2020 Xu D24/215
2013/0043281 A1 * 2/2013 Hsu B05C 17/0103
222/333
2019/0254921 A1 * 8/2019 Marton A61H 23/006
2020/0276079 A1 * 9/2020 Cheng A61H 23/06

OTHER PUBLICATIONS

Percussive massage devices. (Design—© Questel) orbit.com. [Online PDF compilation of references selected by examiner] 21 pgs. Print Dates Range Jun. 21, 2019-May 5, 2020 [Retrieved Apr. 26, 2021] <https://www.orbit.com/export/UCZAH96B/pdf4/aab6d66b-d035-4a66-9e19-3f9fd4989631-212656.pdf> (Year: 2021).*

Booster Pro 2 Percussion Massage Therapy Gun. Date: Feb. 11, 2019. [online]. [Site visited Apr. 21, 2021], Available from Internet URL: <https://www.amazon.co.uk/dp/B07NMRLWJ2/> (Year: 2019).*

* cited by examiner

Primary Examiner — Susan Bennett Hattan

Assistant Examiner — Landon Thomas Cassell

(74) *Attorney, Agent, or Firm* — Prakash Nama; Global IP Services, PLLC

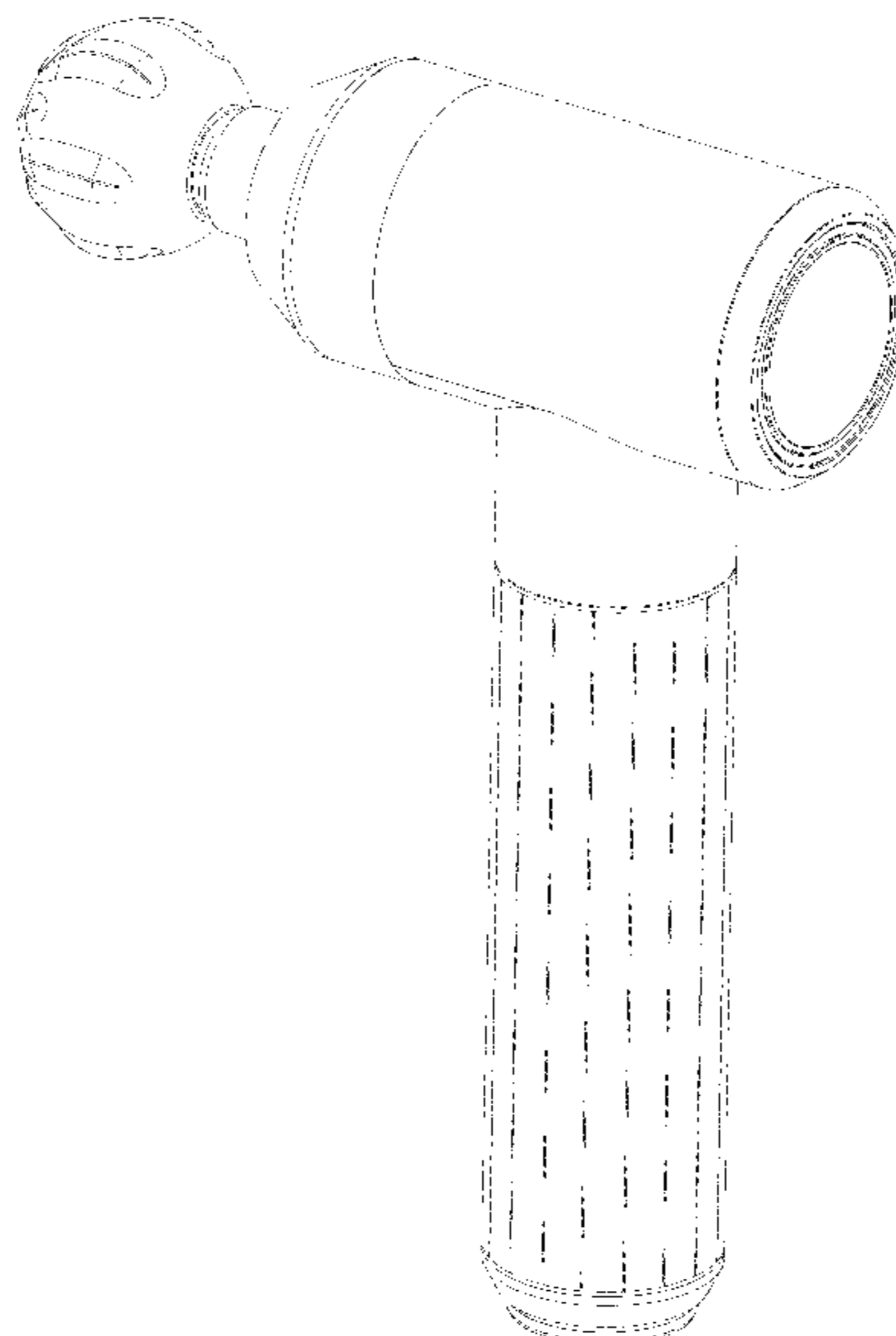
(57) **CLAIM**

The ornamental design for a percussive massage device, as shown and described.

DESCRIPTION

FIG. 1 is a front elevational view of a percussive massage device showing my new design;
FIG. 2 is a rear elevational view thereof;
FIG. 3 is a left side view thereof;
FIG. 4 is a right side view thereof;
FIG. 5 is a top plan view thereof;
FIG. 6 is a bottom plan view thereof; and,
FIG. 7 is a perspective view thereof.
The broken lines shown in percussive massage device form no part of the claimed design.

1 Claim, 6 Drawing Sheets



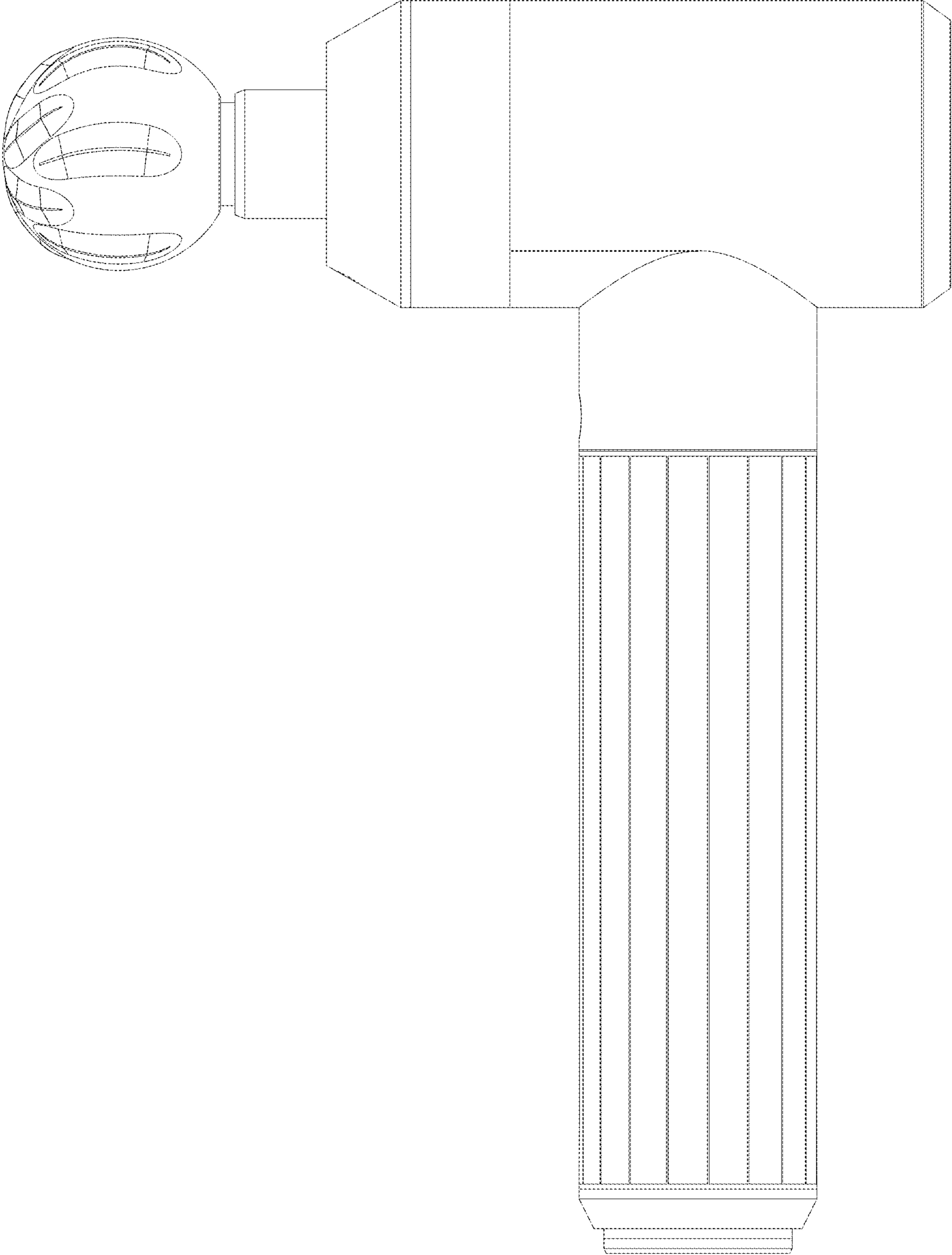


Fig. 1

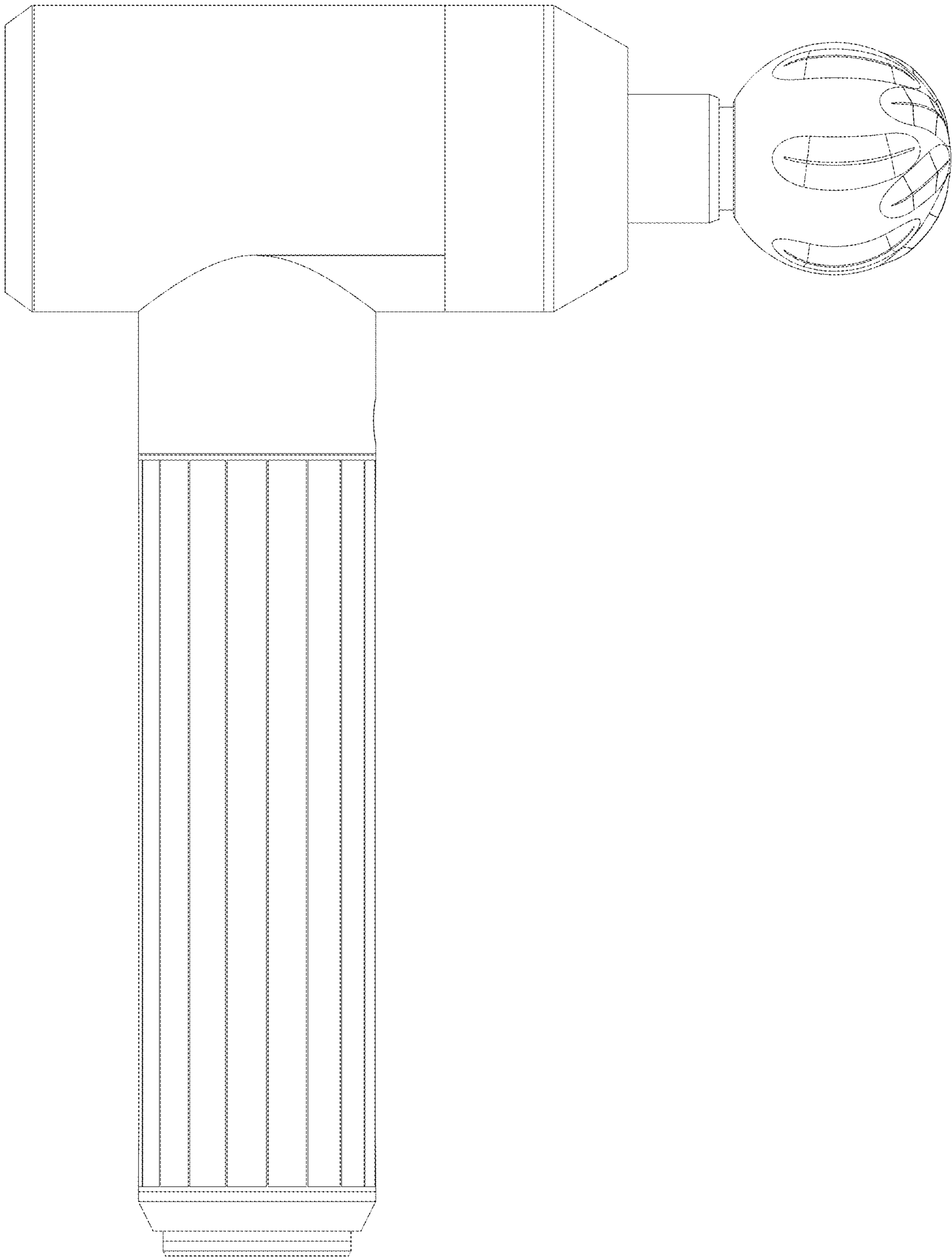


Fig. 2

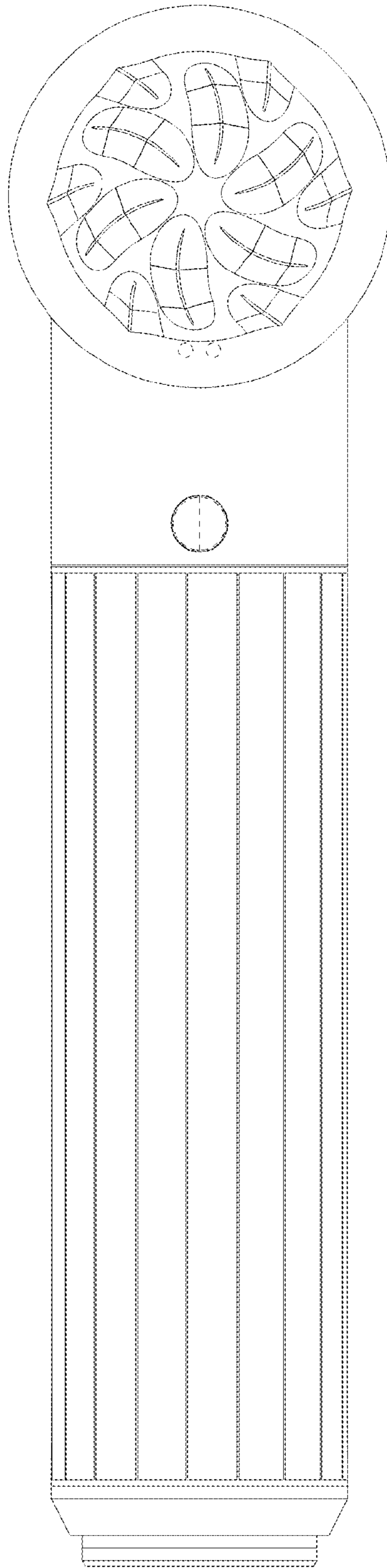


Fig. 3

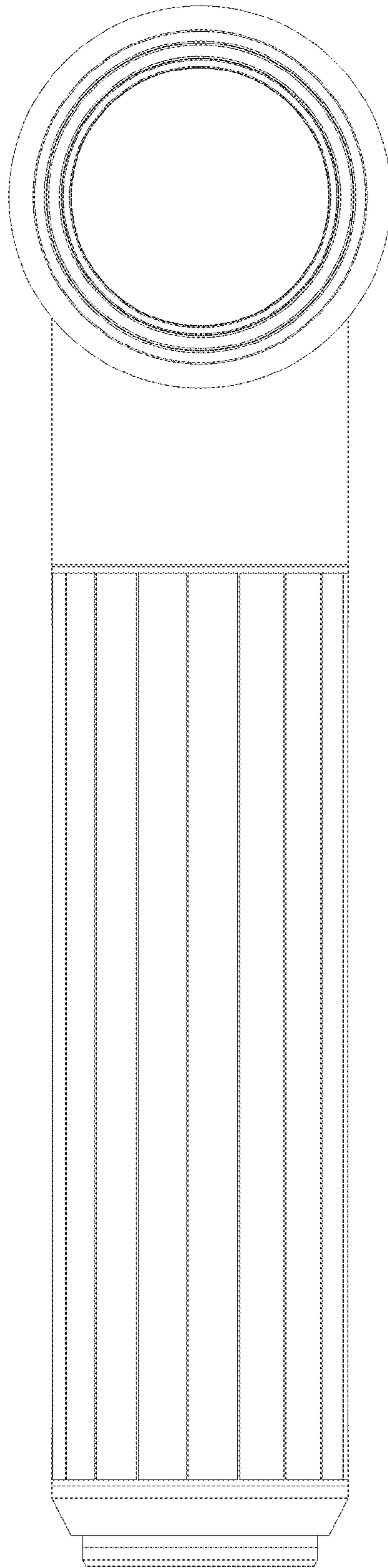


Fig. 4

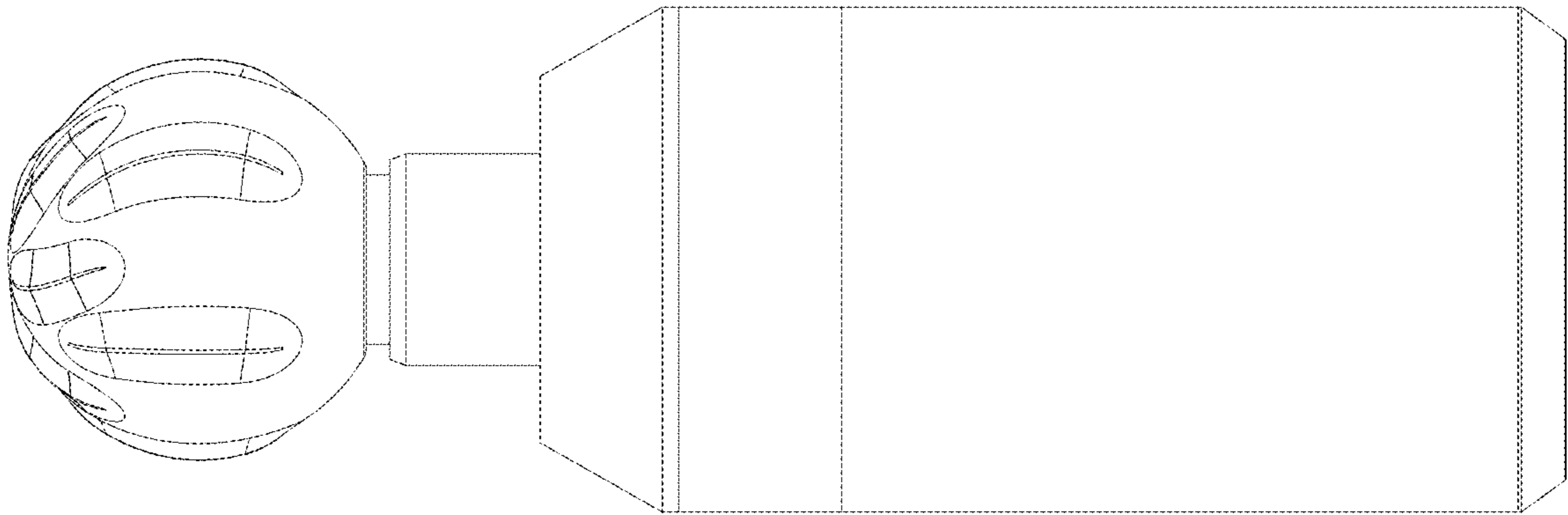


Fig. 5

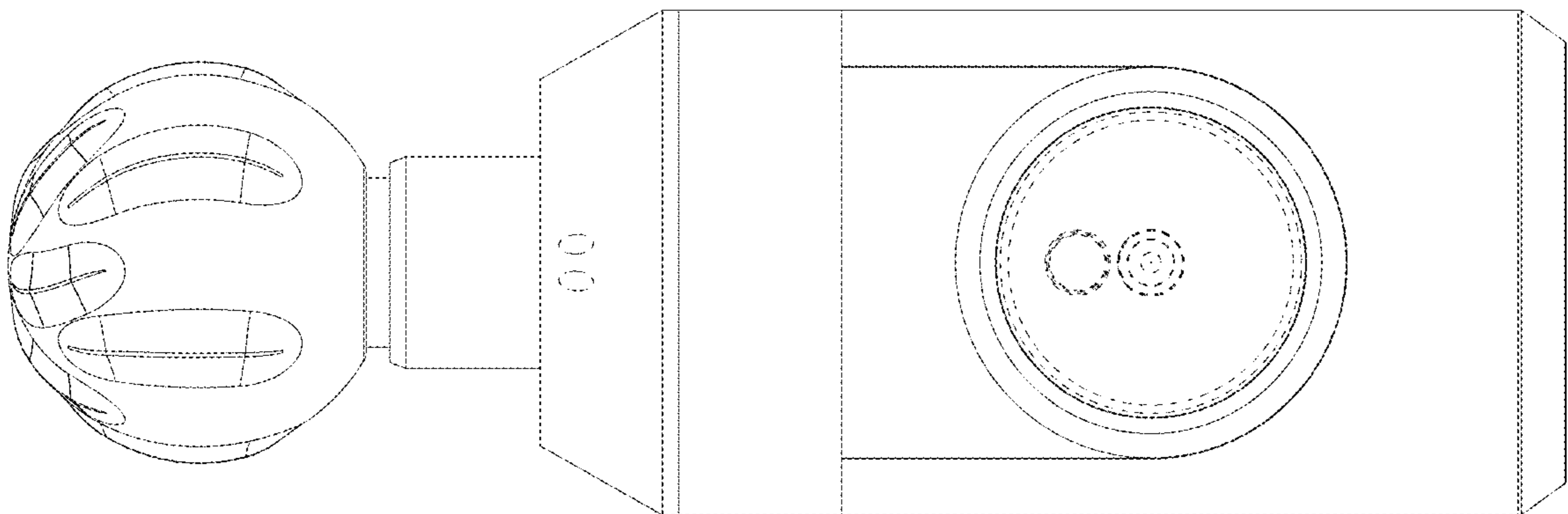


Fig. 6

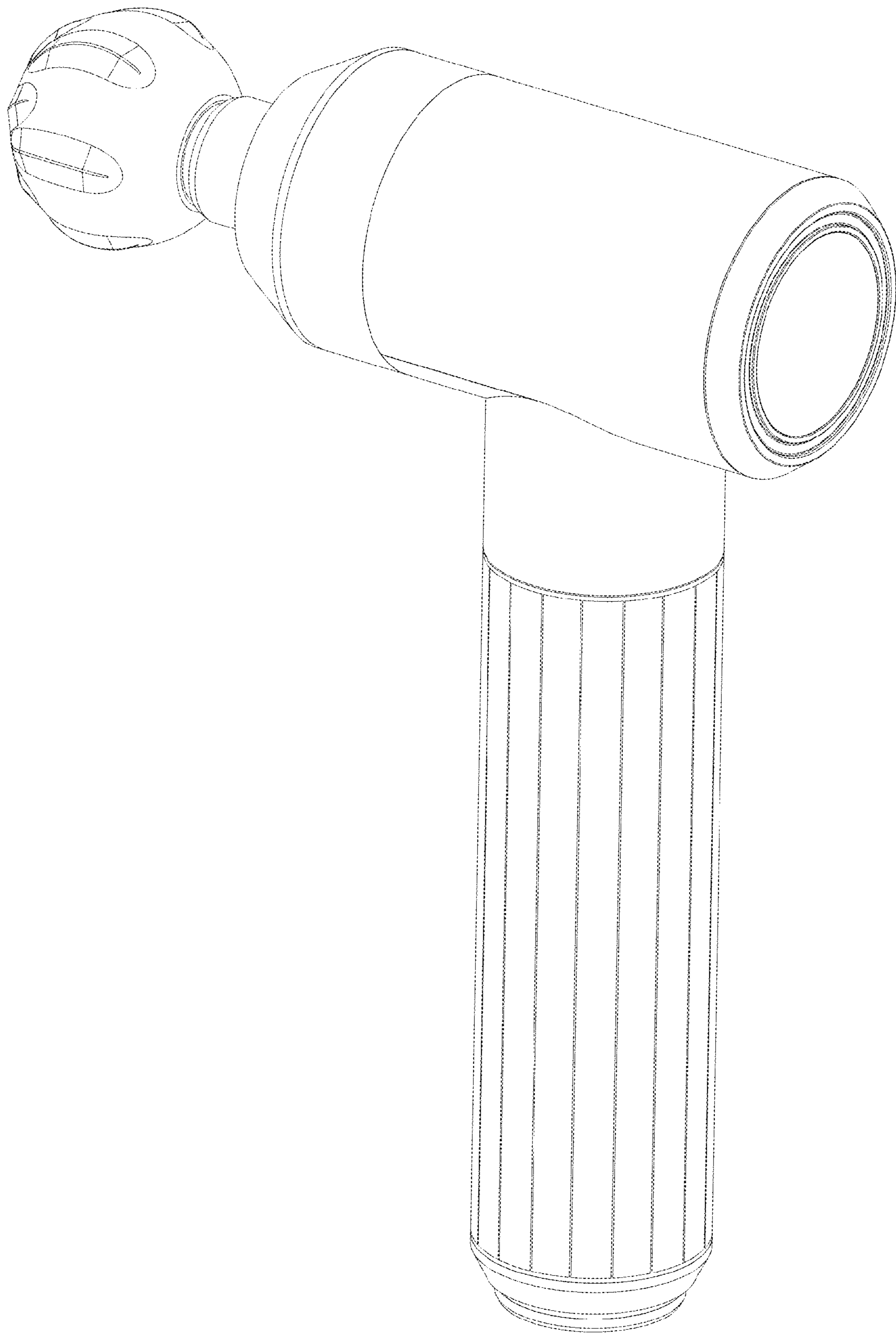


Fig. 7