



US00D924419S

(12) **United States Design Patent** (10) **Patent No.:** **US D924,419 S**
Sheng (45) **Date of Patent:** **** Jul. 6, 2021**

(54) **FOOT BATH**

6,973,683 B2 * 12/2005 Lev A47K 3/022
4/541.2
D531,732 S * 11/2006 Bean D24/213
7,426,757 B2 * 9/2008 Lev A61H 15/0078
220/761

(71) Applicant: **SHENZHEN SAILVAN
ECOMMERCE CO., LTD.**, Shenzhen
(CN)

(Continued)

(72) Inventor: **Huanchang Sheng**, Shenzhen (CN)

FOREIGN PATENT DOCUMENTS

(73) Assignee: **SAILVAN TIMES CO., LTD.**, Shen
Zhen (CN)

CN 305872536 * 1/2020

(**) Term: **15 Years**

OTHER PUBLICATIONS

(21) Appl. No.: **29/703,487**

ACEVIVI Foot Spa Bath Massager, announced 2019 [online], [site
visited Aug. 27, 2020]. Available from internet, URL:<<https://www.amazon.com/ACEVIVI-Motorized-Rotatable-Adjustable-Temperature/dp/B07LF82N6H>> (Year: 2019).*

(22) Filed: **Aug. 27, 2019**

(Continued)

(51) **LOC (13) Cl.** **28-03**

(52) **U.S. Cl.**

USPC **D24/213**; D28/58

(58) **Field of Classification Search**

USPC D23/276-278, 280.1-280.3;
D24/201-205, 213; D28/56, 61

CPC A61H 33/6005; A61H 33/6021; A61H
33/6089; A61H 33/6094; A61H 2035/004;
A61H 35/006; A47K 3/022; A47K 3/062

See application file for complete search history.

Primary Examiner — Cynthia Ramirez

Assistant Examiner — Xavier Marti-Santos

(74) *Attorney, Agent, or Firm* — Law Offices of Steven
W. Weinrieb

(57)

CLAIM

The ornamental design for a foot bath, as shown and
described.

DESCRIPTION

(56) **References Cited**

U.S. PATENT DOCUMENTS

D346,043 S * 4/1994 Galati, Jr. D24/205
D363,555 S * 10/1995 Lie D24/213
D364,466 S * 11/1995 Assmann D24/213
D405,535 S * 2/1999 Schulz D24/213
D436,180 S * 1/2001 Lie D24/213
6,568,000 B1 * 5/2003 Kaufman A47K 3/022
4/541.5
6,598,244 B1 * 7/2003 Yeh A61H 35/006
4/622
6,698,038 B2 * 3/2004 Bastia A61H 9/00
4/622

FIG. 1 is a front, right side, top perspective view of a foot
bath showing my new design;

FIG. 2 is a rear, left side, bottom perspective view thereof;

FIG. 3 is a front elevational view thereof;

FIG. 4 is a rear elevational view thereof;

FIG. 5 is a left side elevational view thereof;

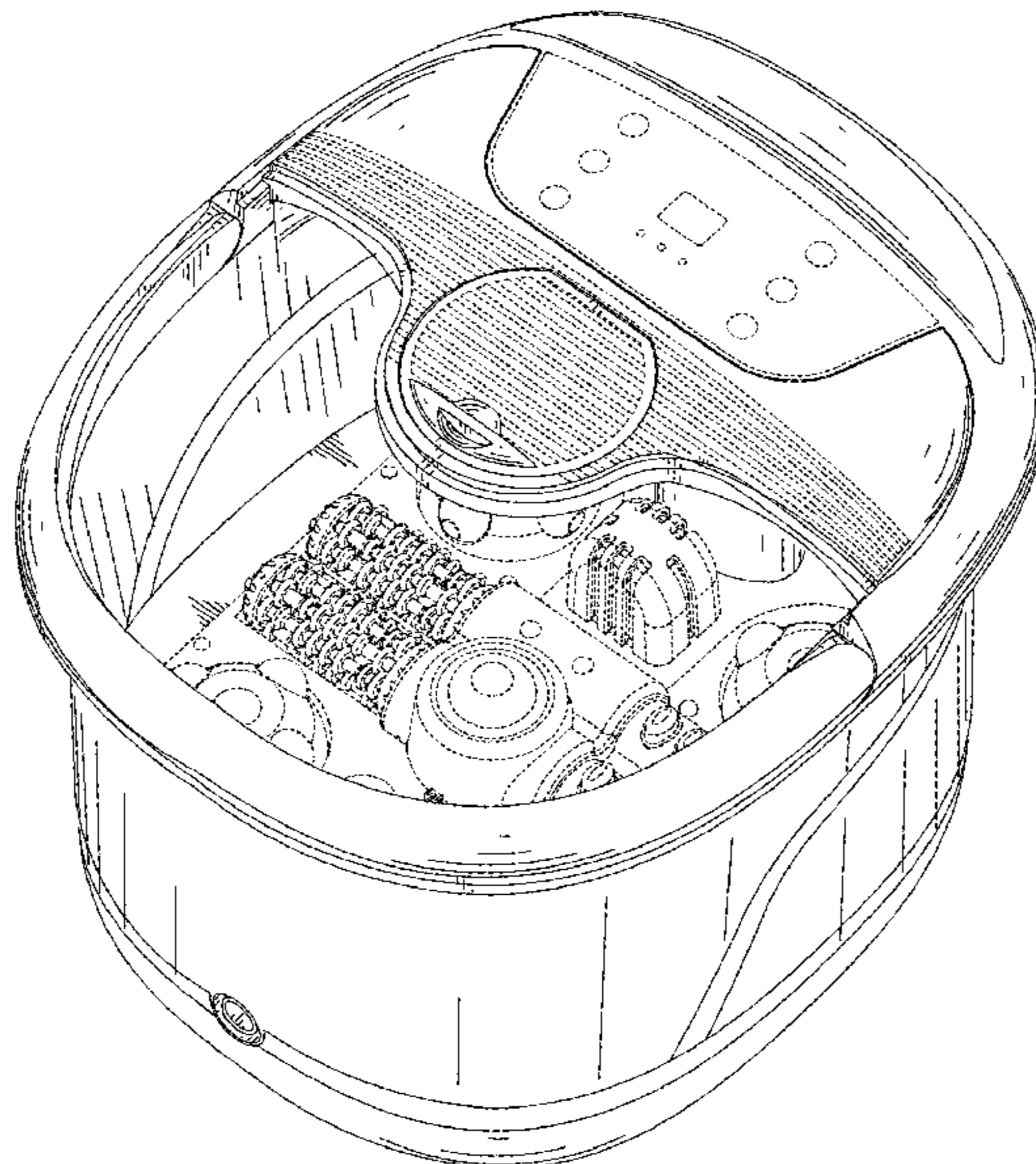
FIG. 6 is a right side elevational view thereof;

FIG. 7 is a top plan view thereof; and,

FIG. 8 is a bottom plan view thereof.

The broken lines in the figures are for purposes of illustrat-
ing portions of the foot bath which form no part of the
claimed design.

1 Claim, 8 Drawing Sheets



(56)

References Cited

U.S. PATENT DOCUMENTS

2007/0143918 A1* 6/2007 Cafaro A47K 3/022
4/622

OTHER PUBLICATIONS

Foot Spa Bath Massager with Massage Rollers and Balls(Motorized), announced 2020 [online], [site visited Feb. 25, 2021]. Available from internet, URL:<<https://www.amazon.com/dp/B08C9TJ8Y4>> (Year: 2020).*

* cited by examiner

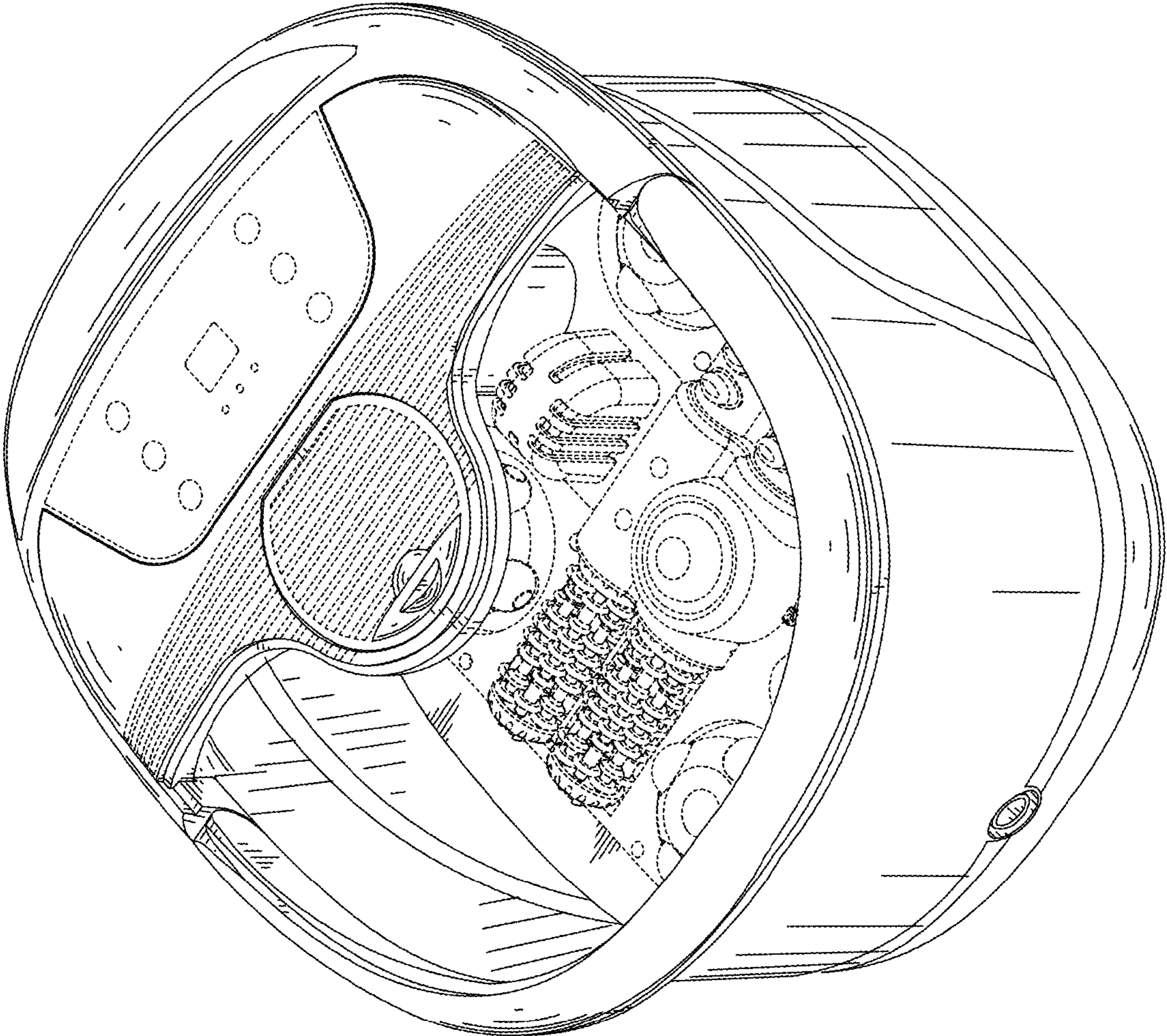


FIG. 1

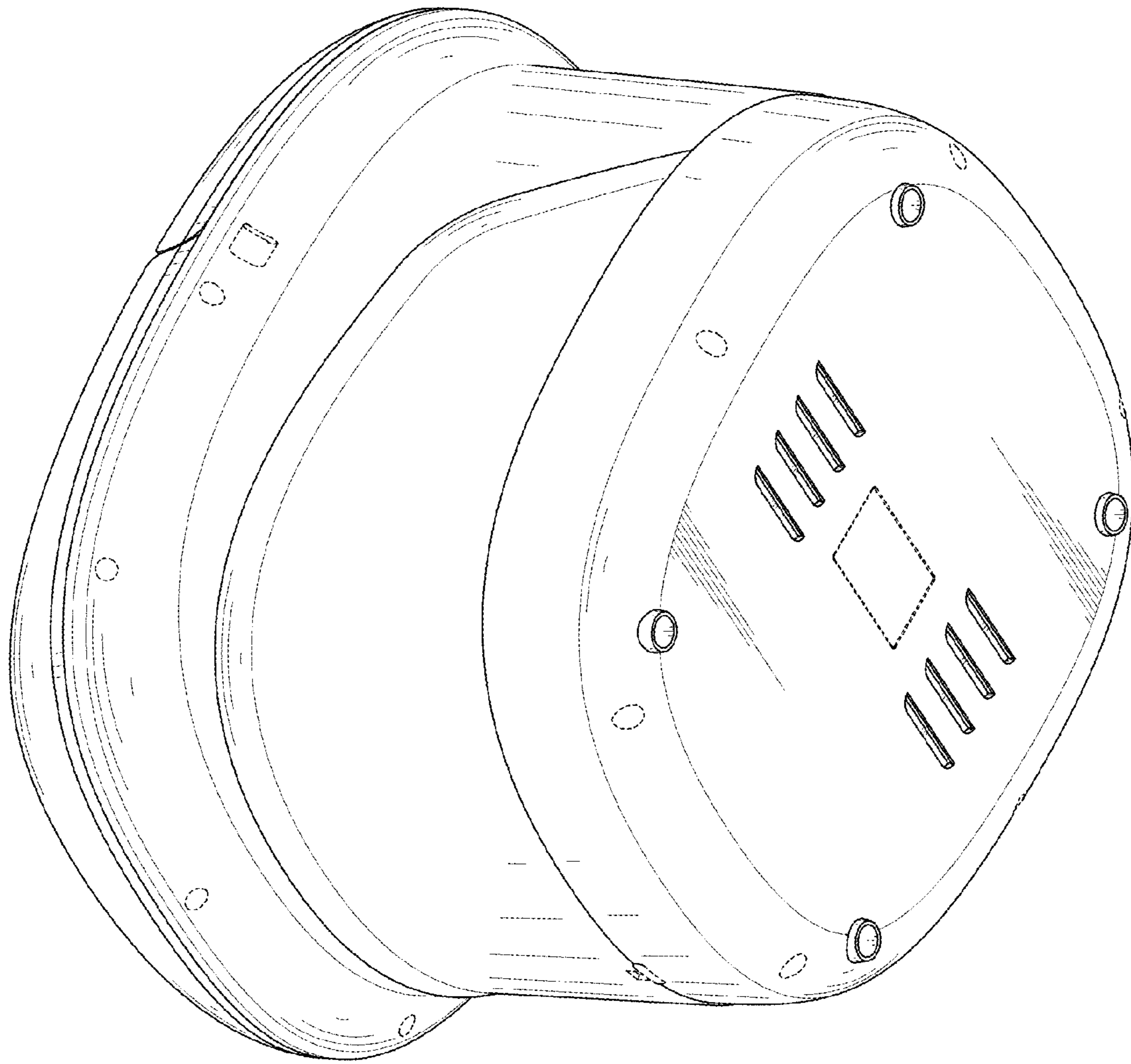


FIG. 2

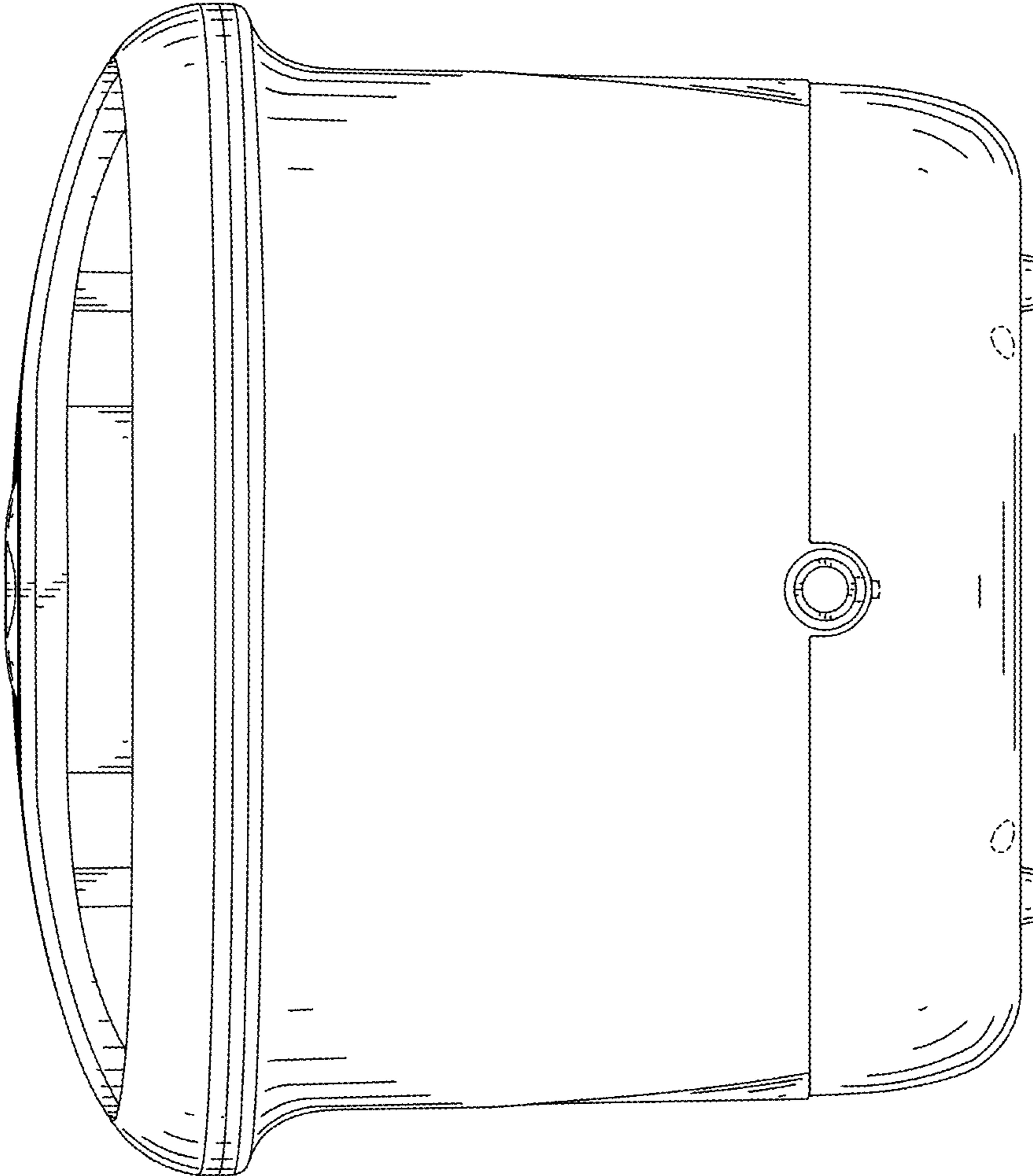


FIG. 3

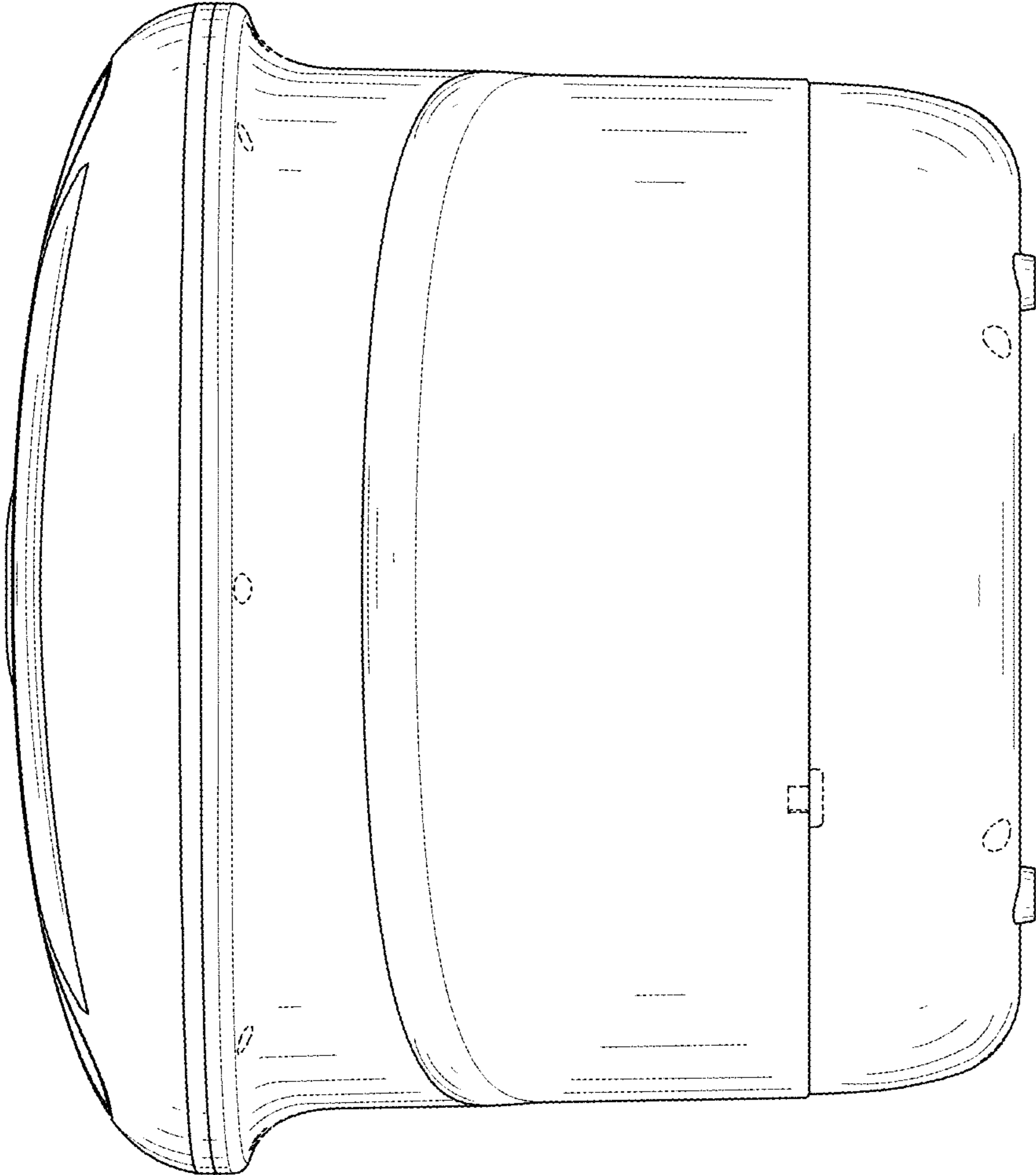


FIG. 4

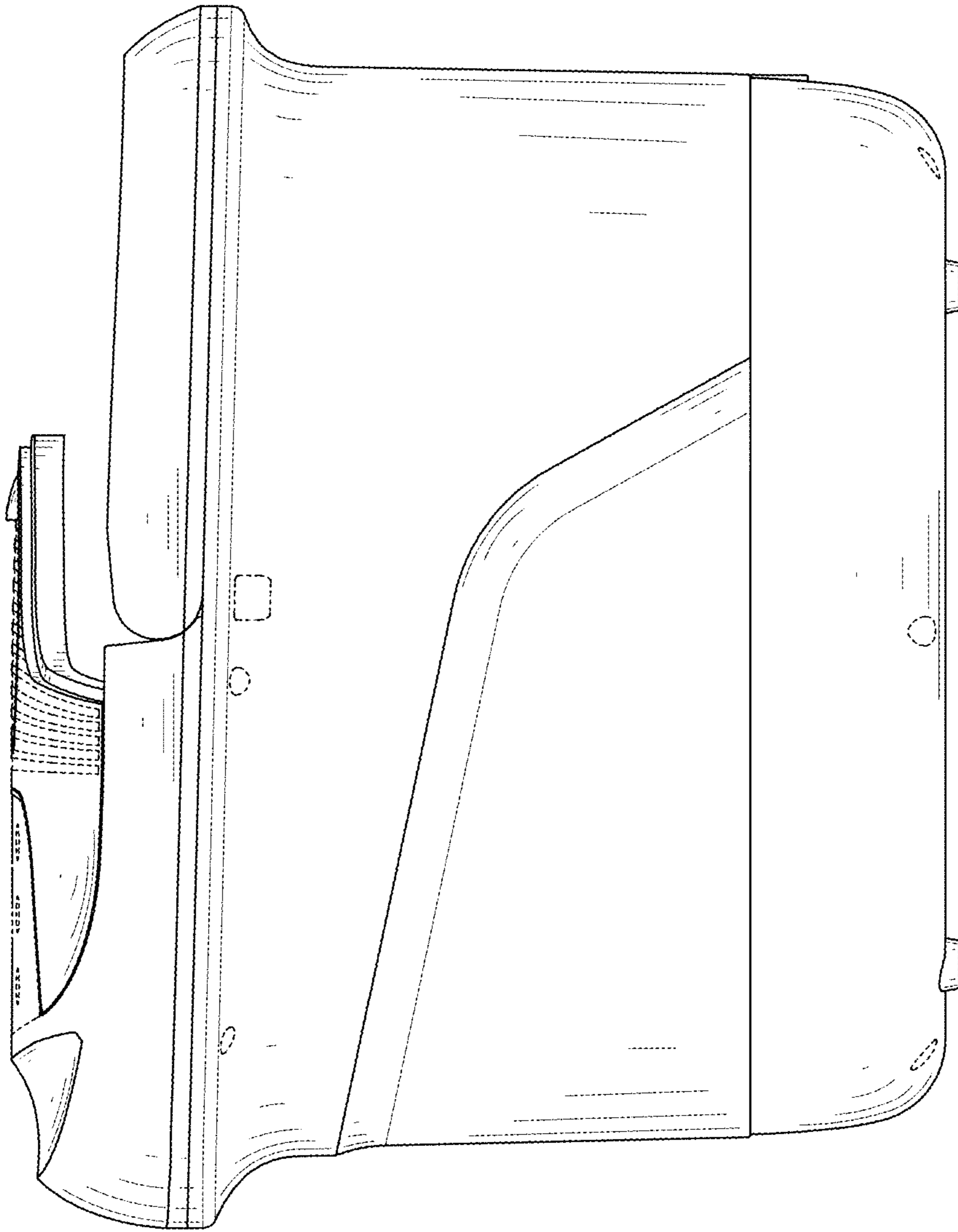


FIG. 5

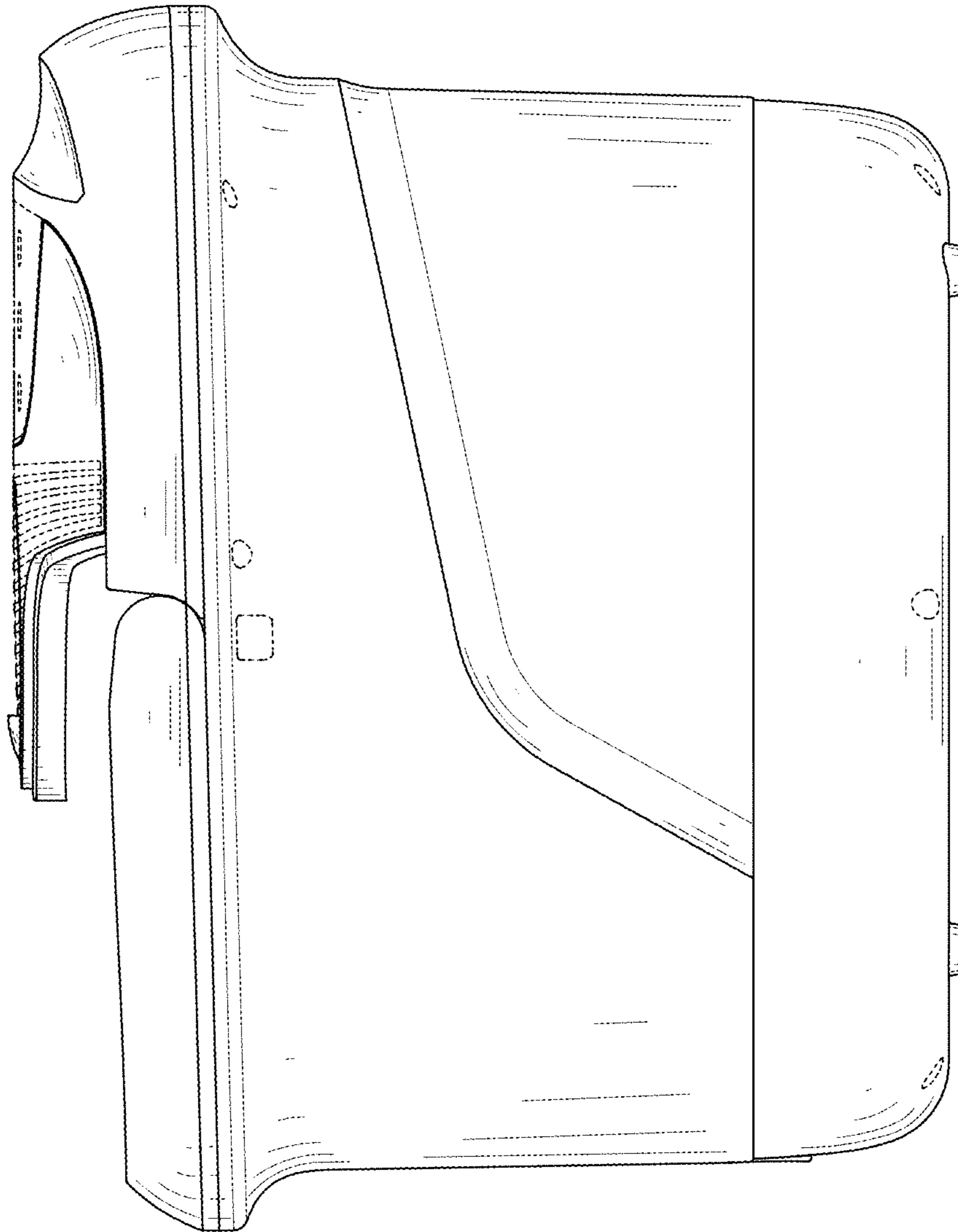


FIG. 6

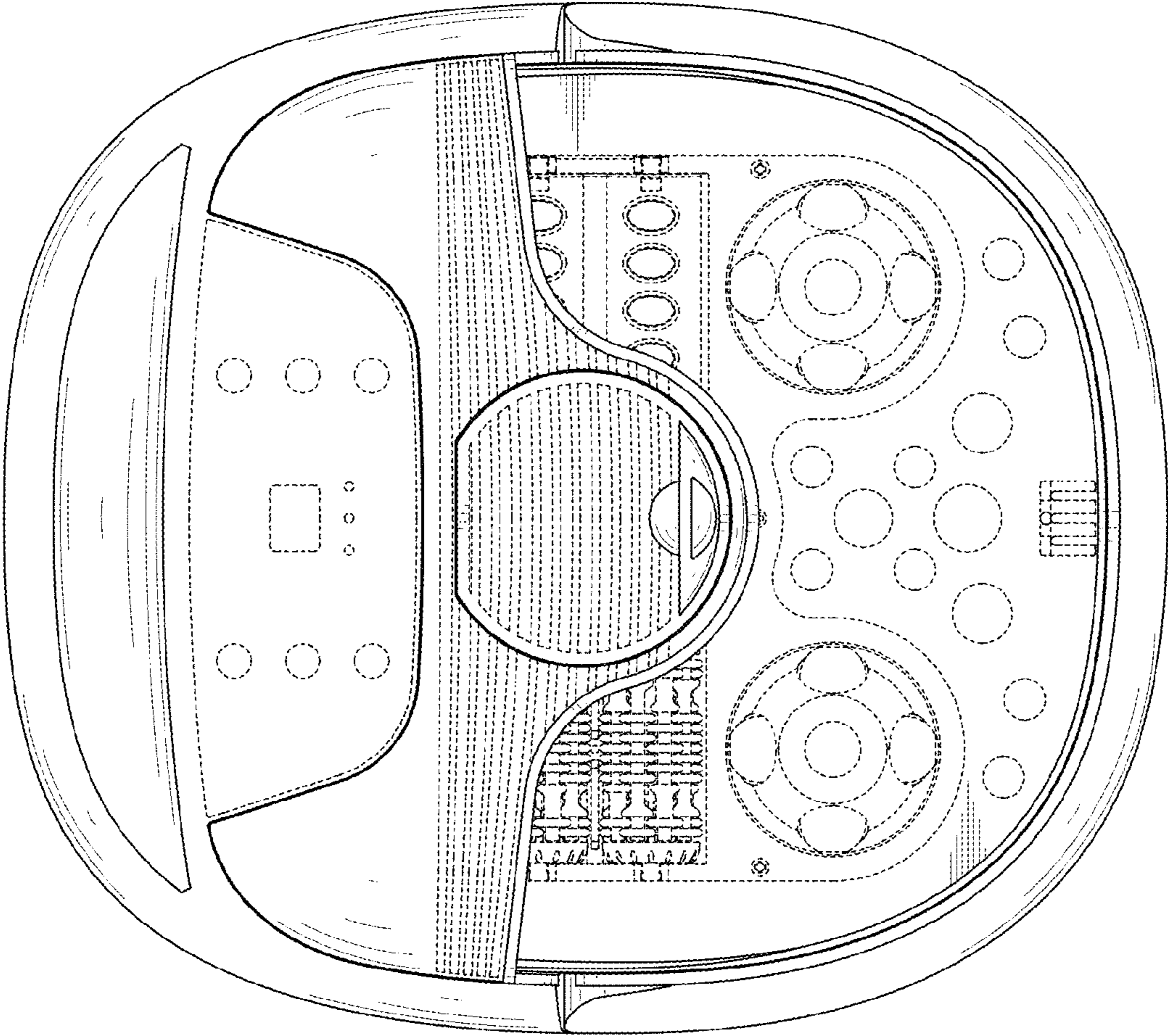


FIG. 7

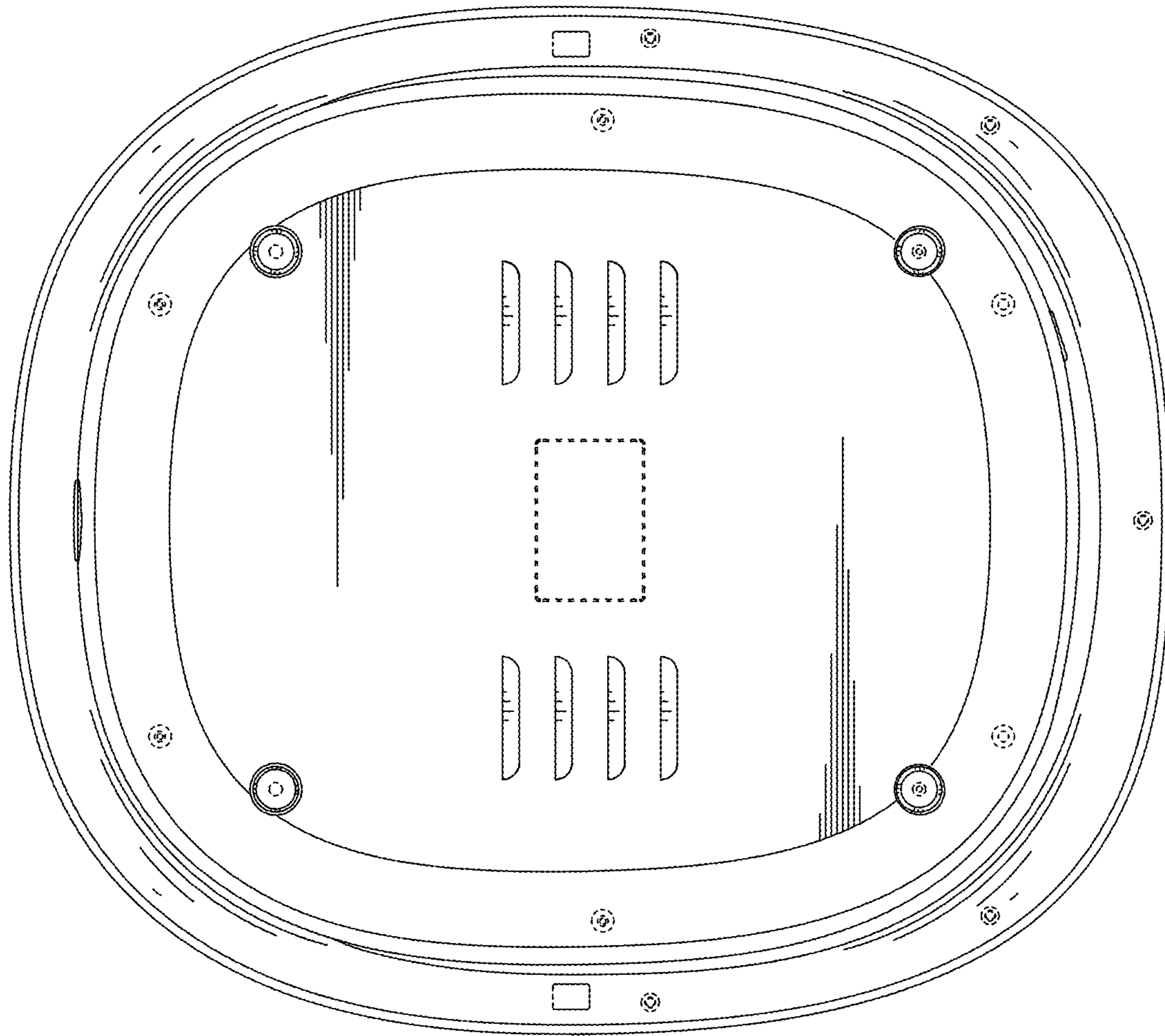


FIG. 8