



US00D924418S

(12) **United States Design Patent** (10) **Patent No.:** **US D924,418 S**
Shin (45) **Date of Patent:** **** Jul. 6, 2021**

(54) **EXERCISE DEVICE FOR ORTHOTIC THERAPY FOR SPINE**

(71) Applicant: **Woo-yeol Shin**, Seoul (KR)

(72) Inventor: **Woo-yeol Shin**, Seoul (KR)

(**) Term: **15 Years**

(21) Appl. No.: **29/733,723**

(22) Filed: **May 6, 2020**

(30) **Foreign Application Priority Data**

Nov. 26, 2019 (KR) 30-2019-0056643

(51) **LOC (13) Cl.** **28-03**

(52) **U.S. Cl.**
USPC **D24/211**

(58) **Field of Classification Search**
USPC D24/200, 211, 212, 213, 214, 215;
D12/203; D6/582-585
CPC A61H 2201/164; A61H 35/006
See application file for complete search history.

(56) **References Cited**

U.S. PATENT DOCUMENTS

D269,636 S *	7/1983	MacGregor	D24/211
D307,475 S *	4/1990	Bomkamp	D24/211
D348,108 S *	6/1994	Kim	D24/212
D351,027 S *	9/1994	Chen	D24/200
D351,474 S *	10/1994	Huang	D24/211
D362,074 S *	9/1995	Brown	D24/211
D369,220 S *	4/1996	Huang	D24/215
D374,722 S *	10/1996	Lossing	D24/211
D391,366 S *	2/1998	Prehodka	D24/212
D405,189 S *	2/1999	Lamoncia	D24/212
D406,649 S *	3/1999	Miyake	D24/212
D411,304 S *	6/1999	Yang	D24/212
D414,874 S *	10/1999	Edens	D24/212
D417,285 S *	11/1999	Moon	D24/212

D418,606 S *	1/2000	Davis	D24/191
D430,936 S *	9/2000	Noble	D24/211
D490,530 S *	5/2004	Chen	D24/211
D504,954 S *	5/2005	Park	D24/200
D508,132 S *	8/2005	Huang	D24/200
D523,962 S *	6/2006	Huang	D24/214
D596,750 S *	7/2009	Lev	D24/212
D604,859 S *	11/2009	Liu	D24/211
D605,302 S *	12/2009	Tsang	D24/212
D694,415 S *	11/2013	Viner	D24/213
D698,454 S *	1/2014	DiStefano	D24/215
D713,970 S *	9/2014	Olofsson	D24/200
D732,182 S *	6/2015	Viner	D24/212
D750,795 S *	3/2016	Cao	D24/212
D791,961 S *	7/2017	Song	D24/213
D821,594 S *	6/2018	Davidson	D24/200
D898,447 S *	10/2020	Xu	D6/601
D908,394 S *	1/2021	Yin	D6/601

(Continued)

Primary Examiner — Cynthia Ramirez
Assistant Examiner — Michael A Maharajh
(74) *Attorney, Agent, or Firm* — Novick, Kim & Lee, PLLC; Jae Youn Kim; Hyun Woo Shin

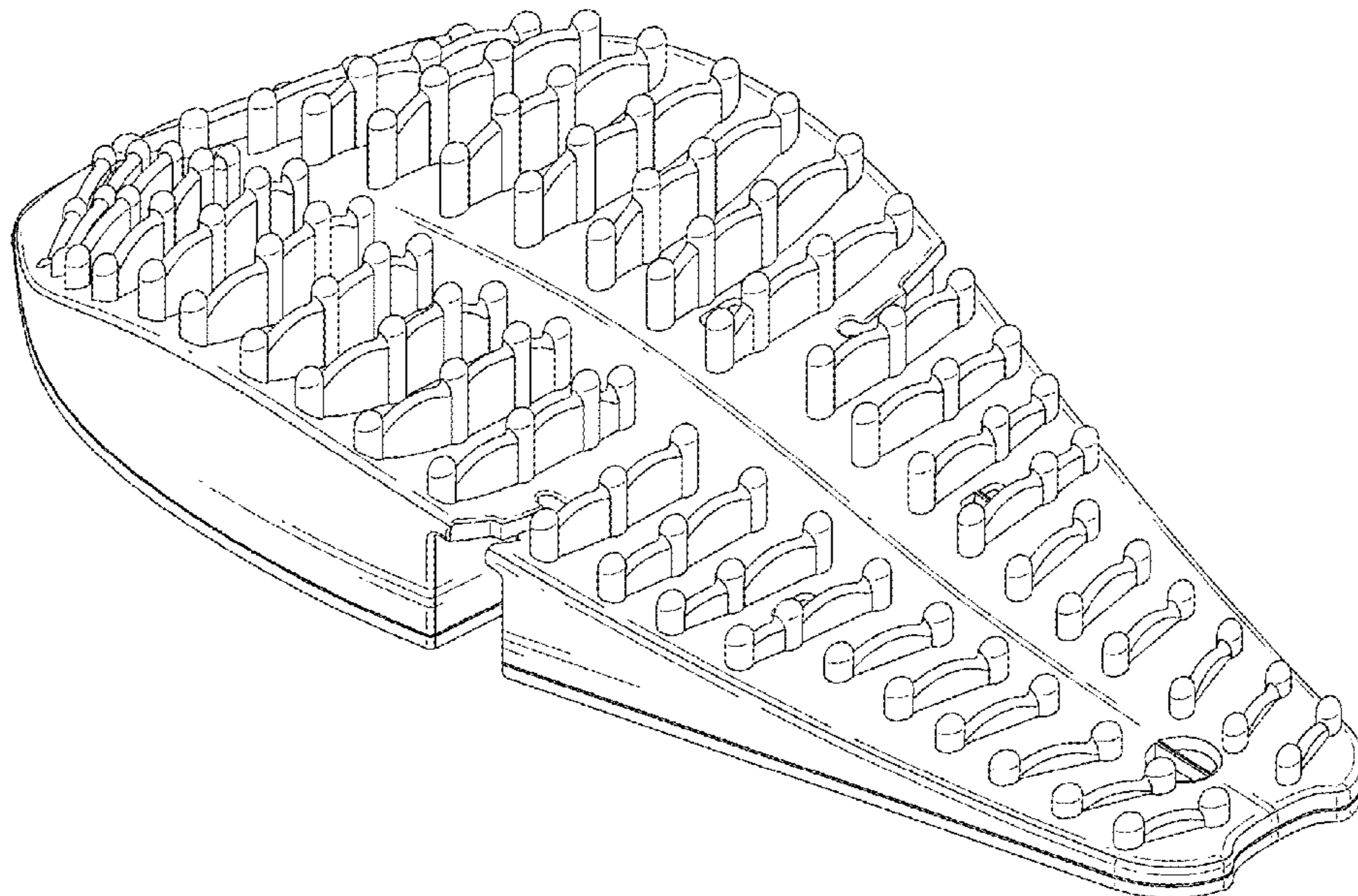
(57) **CLAIM**

The ornamental design for an exercise device for orthotic therapy for spine, as shown and described.

DESCRIPTION

FIG. 1 is a perspective view of an exercise device for orthotic therapy for spine, showing my new design; FIG. 2 is a front elevational view thereof; FIG. 3 is a rear elevational view thereof; FIG. 4 is a left side elevational view thereof; FIG. 5 is a right side elevational view thereof; FIG. 6 is a top plan view thereof; and, FIG. 7 is a bottom plan view thereof. The broken lines in the drawings show portions of the exercise device which form no part of the claimed design.

1 Claim, 4 Drawing Sheets



(56)

References Cited

U.S. PATENT DOCUMENTS

D912,838 S * 3/2021 Xiang D24/213
2002/0049469 A1* 4/2002 Chang A43B 7/146
606/204
2016/0296412 A1* 10/2016 Thomas A43B 7/144
2017/0071824 A1* 3/2017 Park A61H 35/006
2018/0296821 A1* 10/2018 Ho B29D 35/122

* cited by examiner

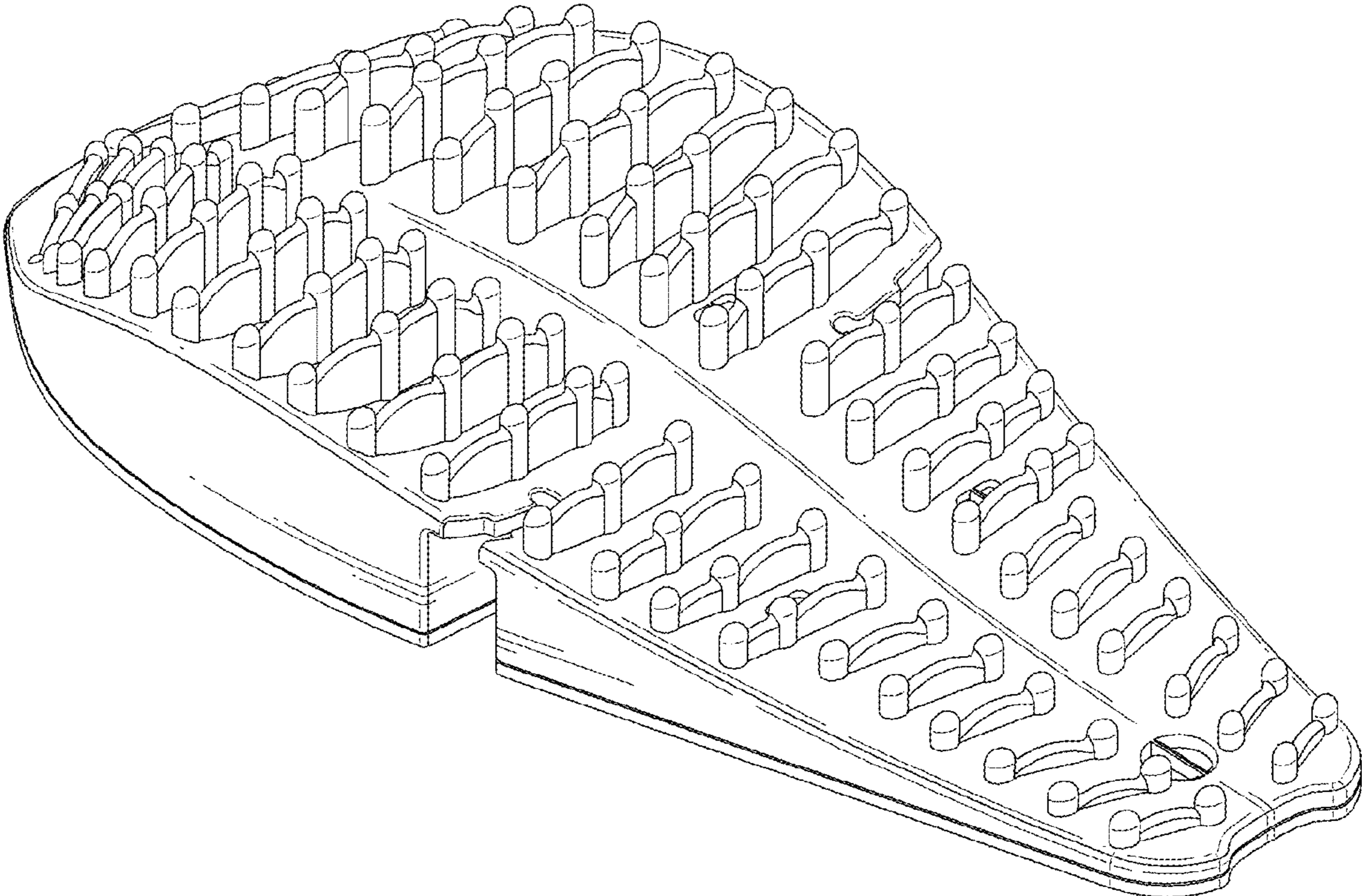


FIG. 1

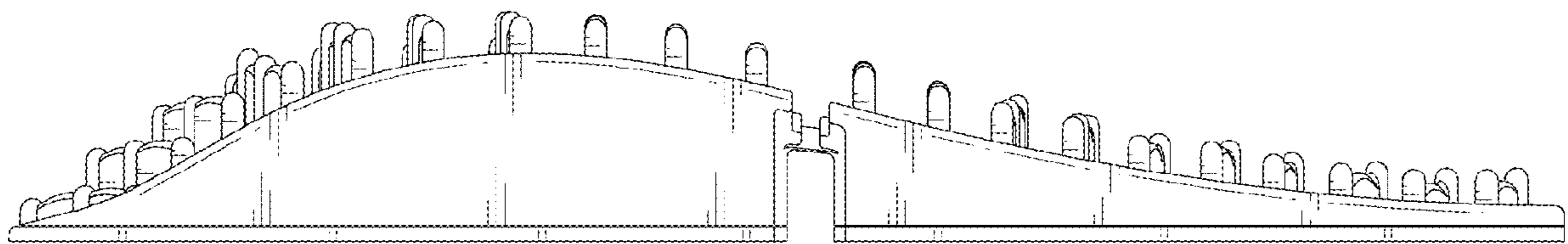


FIG. 2

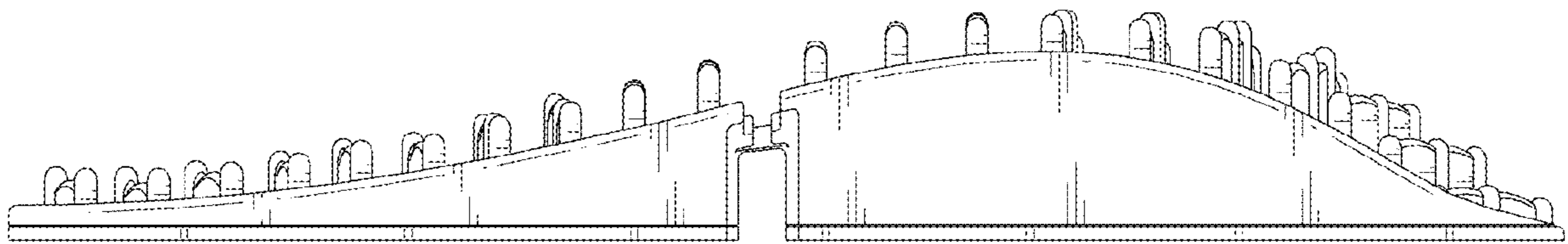


FIG. 3

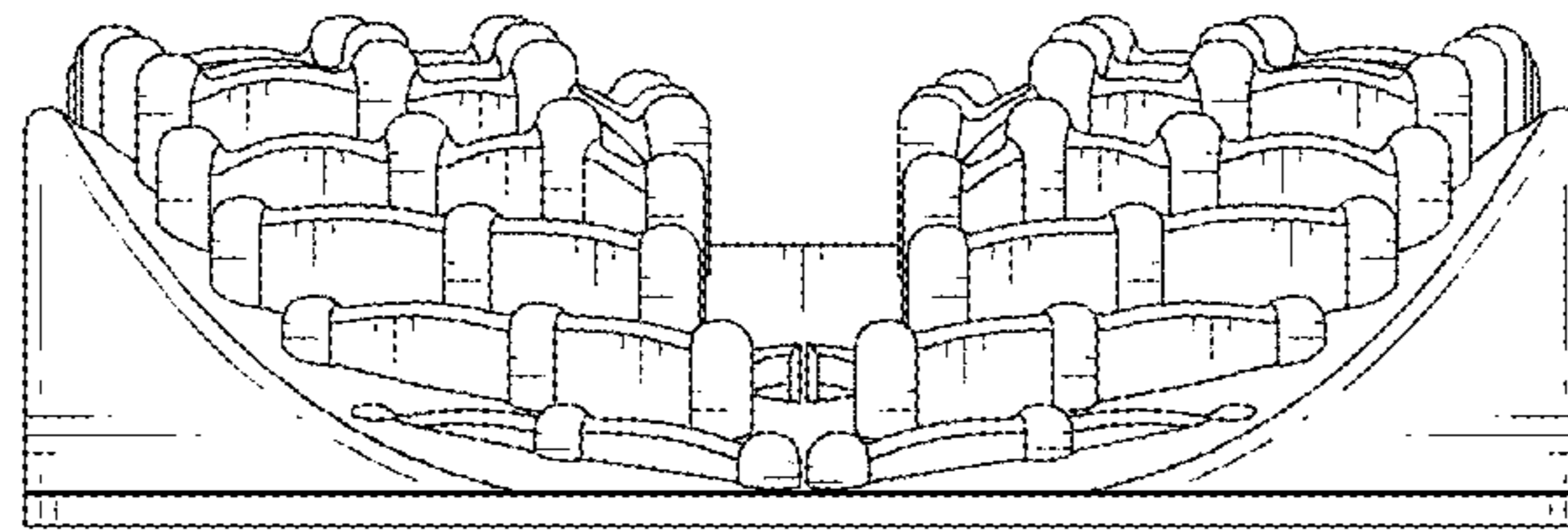


FIG. 4

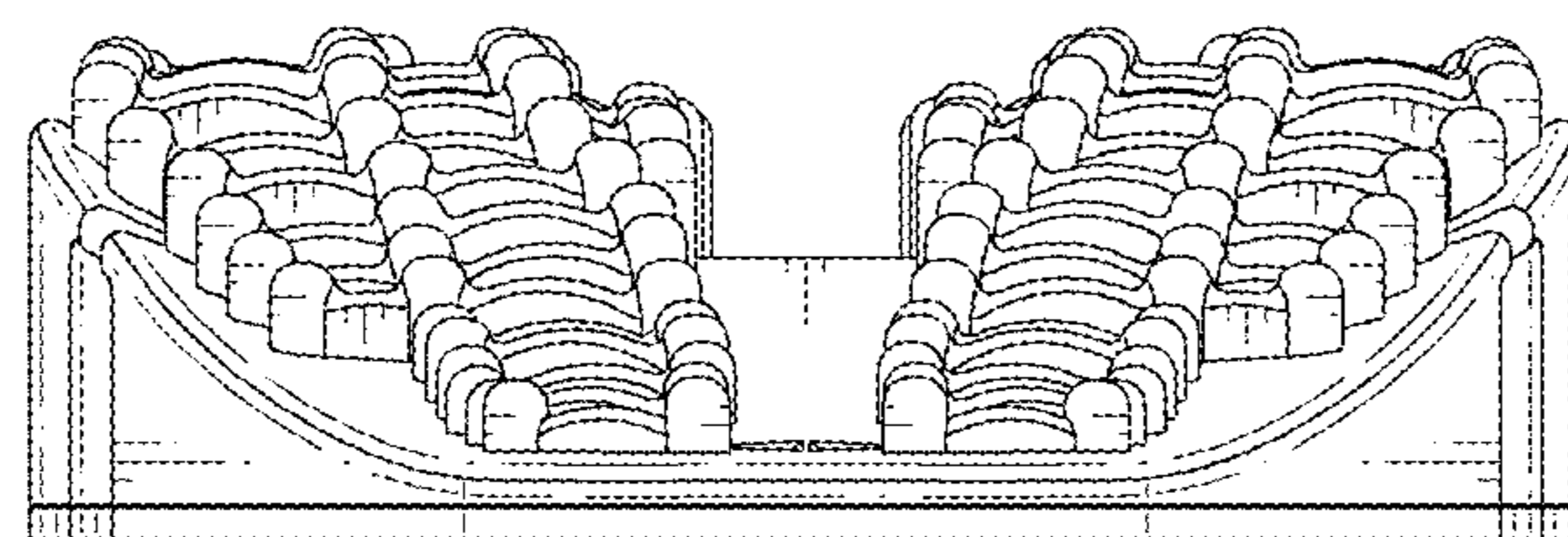


FIG. 5

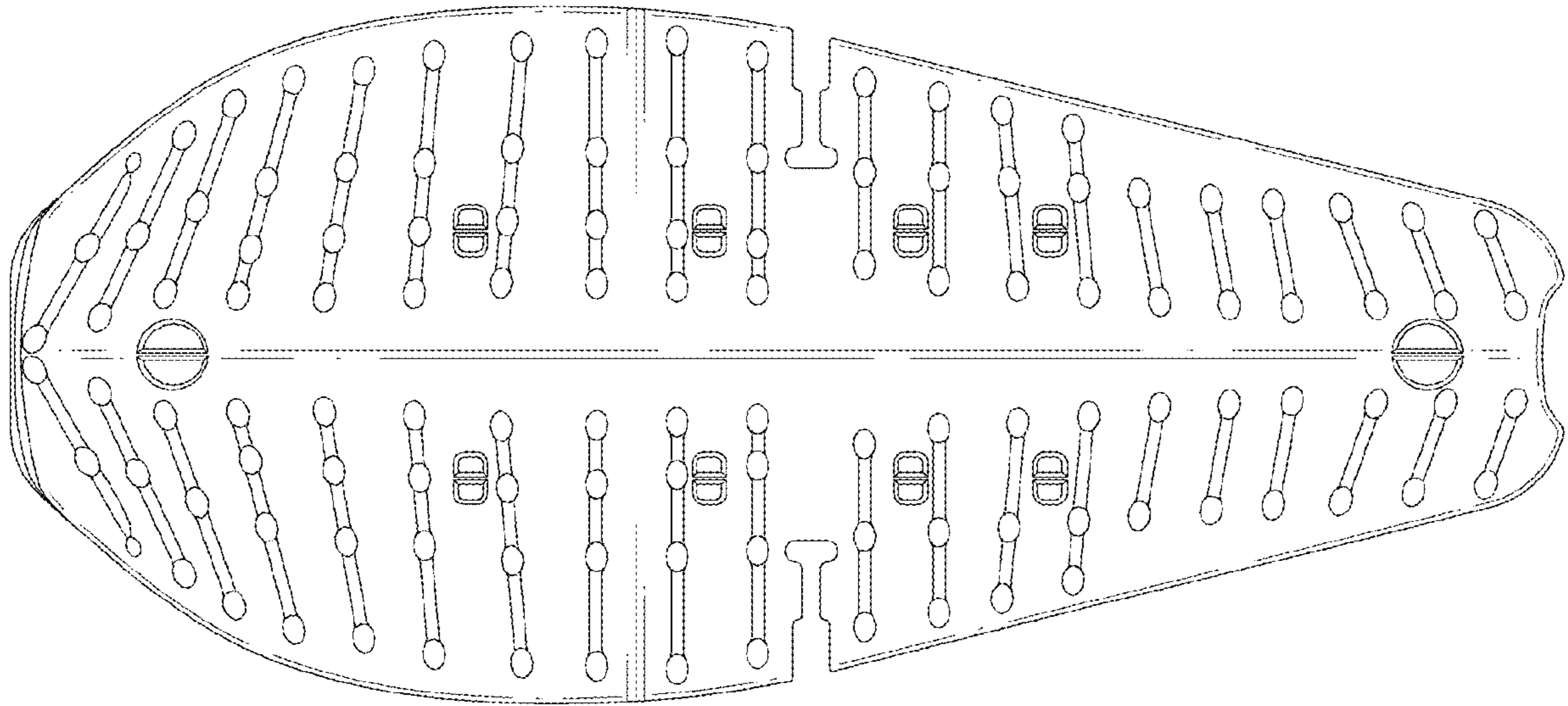


FIG. 6

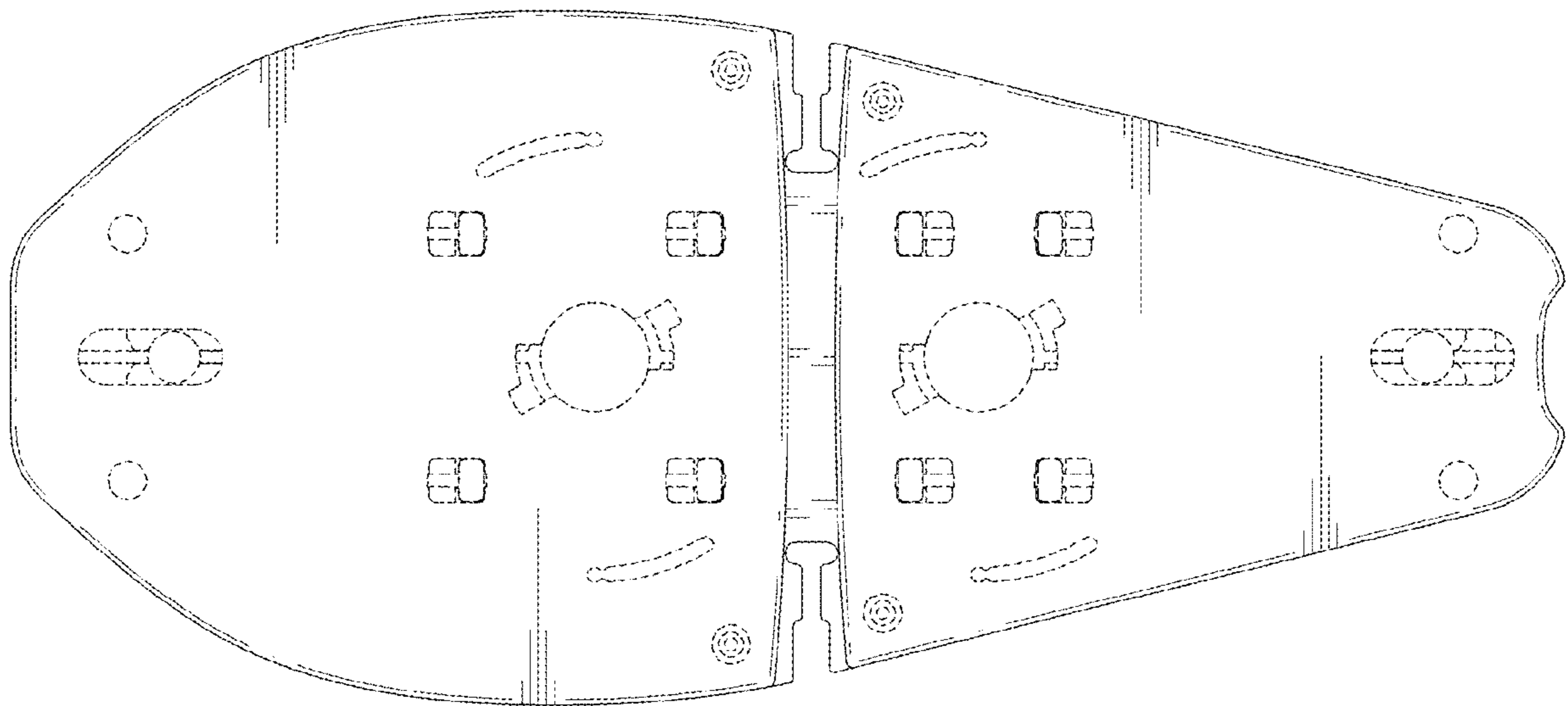


FIG. 7