



US00D924412S

(12) **United States Design Patent** (10) **Patent No.:** **US D924,412 S**
Thrailkill (45) **Date of Patent:** **** Jul. 6, 2021**

(54) **BOTTLE**
(71) Applicant: **ANGELCARE FEEDING USA, LLC,**
Newark, DE (US)
(72) Inventor: **Patrick Thrailkill,** Utica, NY (US)
(73) Assignee: **ANGELCARE FEEDING USA, LLC,**
Newark, DE (US)

D547,875 S * 7/2007 Pillado D24/197
D609,528 S * 2/2010 Roehrig D7/510
D644,334 S * 8/2011 Py D24/197
D666,731 S * 9/2012 Mustecaplioğlu D24/197
D716,461 S * 10/2014 Lau D24/197
D838,139 S * 1/2019 Cudworth D7/510
2006/0213858 A1* 9/2006 Kraus A61J 9/00
215/11.1

(Continued)

(*) Notice: This patent is subject to a terminal disclaimer.

(**) Term: **15 Years**

(21) Appl. No.: **29/691,320**

(22) Filed: **May 15, 2019**

Related U.S. Application Data

(63) Continuation of application No. PCT/US2018/064723, filed on Dec. 10, 2018.

(51) **LOC (13) Cl.** **07-01**

(52) **U.S. Cl.**
USPC **D24/197**

(58) **Field of Classification Search**
USPC D24/193, 194, 195, 196, 197, 198, 199;
D7/392, 510, 511, 619.1; D9/516, 530,
D9/719, 761; D3/316, 229
CPC A61J 9/00; A61J 9/001; A61J 9/0623
See application file for complete search history.

(56) **References Cited**

U.S. PATENT DOCUMENTS

3,851,781 A 12/1974 Marco
D428,496 S * 7/2000 Thom D24/197
6,173,850 B1 * 1/2001 Scheetz, Jr. A61J 9/00
215/11.1
D440,317 S * 4/2001 Tollman D24/197
D496,733 S * 9/2004 Morano D24/197
D511,385 S * 11/2005 Lieberman D24/197
D511,836 S * 11/2005 Morano D24/197

FOREIGN PATENT DOCUMENTS

WO 90/14066 A1 11/1990

OTHER PUBLICATIONS

“Playtex Baby Ventaire Bottle”. Found online Oct. 9, 2020 at amazon.com. Reference dated Mar. 15, 0217. Retrieved from https://www.amazon.com/Playtex-Ventaire-Bottle-Prevent-Bottles/dp/B00PY5097U/ref=cm_cr_ar_p_d_product_top?ie=UTF8&th=1.*

(Continued)

Primary Examiner — Kendra Leslie Hamilton
(74) *Attorney, Agent, or Firm* — Norton Rose Fulbright US LLP

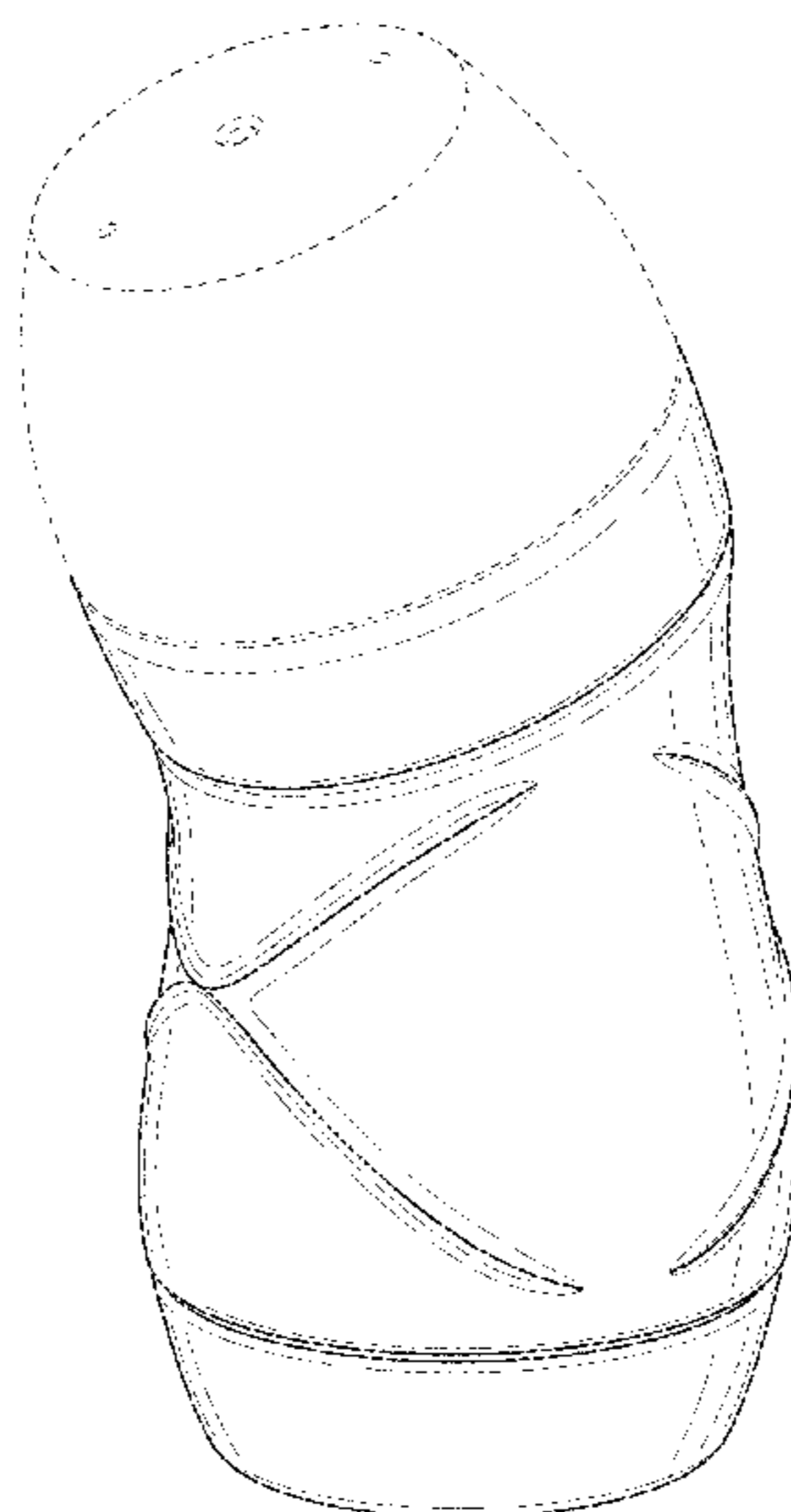
(57) **CLAIM**

I claim the ornamental design for a bottle, as shown and described.

DESCRIPTION

FIG. 1 is a top, front, right perspective view of a bottle, showing my new design;
FIG. 2 is a front elevation view thereof;
FIG. 3 is a rear elevation view thereof;
FIG. 4 is a left side elevation view thereof;
FIG. 5 is a right side elevation view thereof;
FIG. 6 is a top plan view thereof; and,
FIG. 7 is a bottom plan view thereof.
In the drawings, the broken lines depict environmental subject matter that form no part of the claimed design.

1 Claim, 6 Drawing Sheets



(56)

References Cited

U.S. PATENT DOCUMENTS

2008/0302751 A1 12/2008 Segovia, Jr.
2015/0144584 A1 5/2015 Renz et al.

OTHER PUBLICATIONS

“Playtex BPA Free VentAire Bottle Starter Gift Set”. Found online Jul. 12, 2016 at amazon.com. Reference dated Sep. 7, 2005. Retrieved from https://www.amazon.com/...e-Bottle-Starter/dp/B0006FHBBA/ref=sr_1_4_s_it?s=baby-products&ie=UTF8&qid=1468353587&sr=1-4&refinements=p_n_location_browse-bin%3A2694766011.*

“Tomme Tippee Ultra Bottles”. Found online Feb. 12, 2018 at amazon.com. Reference dated Oct. 6, 2016. Retrieved from https://www.amazon.com/Tomme-Tippee-Ultra-Bottles-Ounce/dp/B01HOHLH1M/ref=cm_cr_arp_d_product_top?ie=UTF8&th=1.*

“PCT/US18/64723 Feeding Bottle, WO201911835”. Found online Nov. 13, 2020 at patentscope.wipo.int. Reference dated Dec. 10, 2018. Retrieved from https://patentscope.wipo.int/search/en/detail.jsf?docId=WO2019118335&_cid=P11-KHGWLG-10826-1.*

PCT Written Opinion and Search Report issued in connection with corresponding PCT/2018/064723 dated Jun. 20, 2019.

* cited by examiner

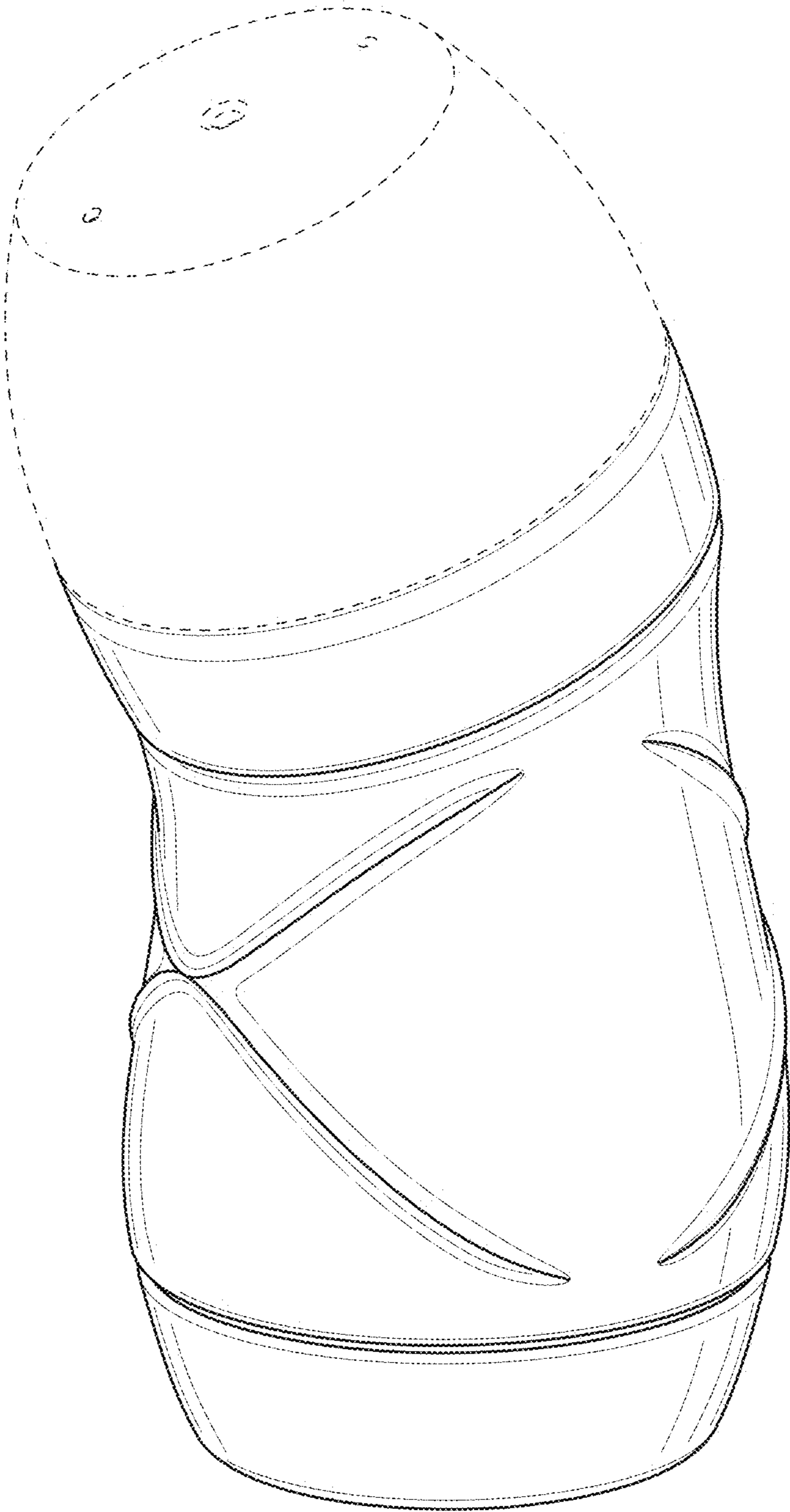


FIG. 1

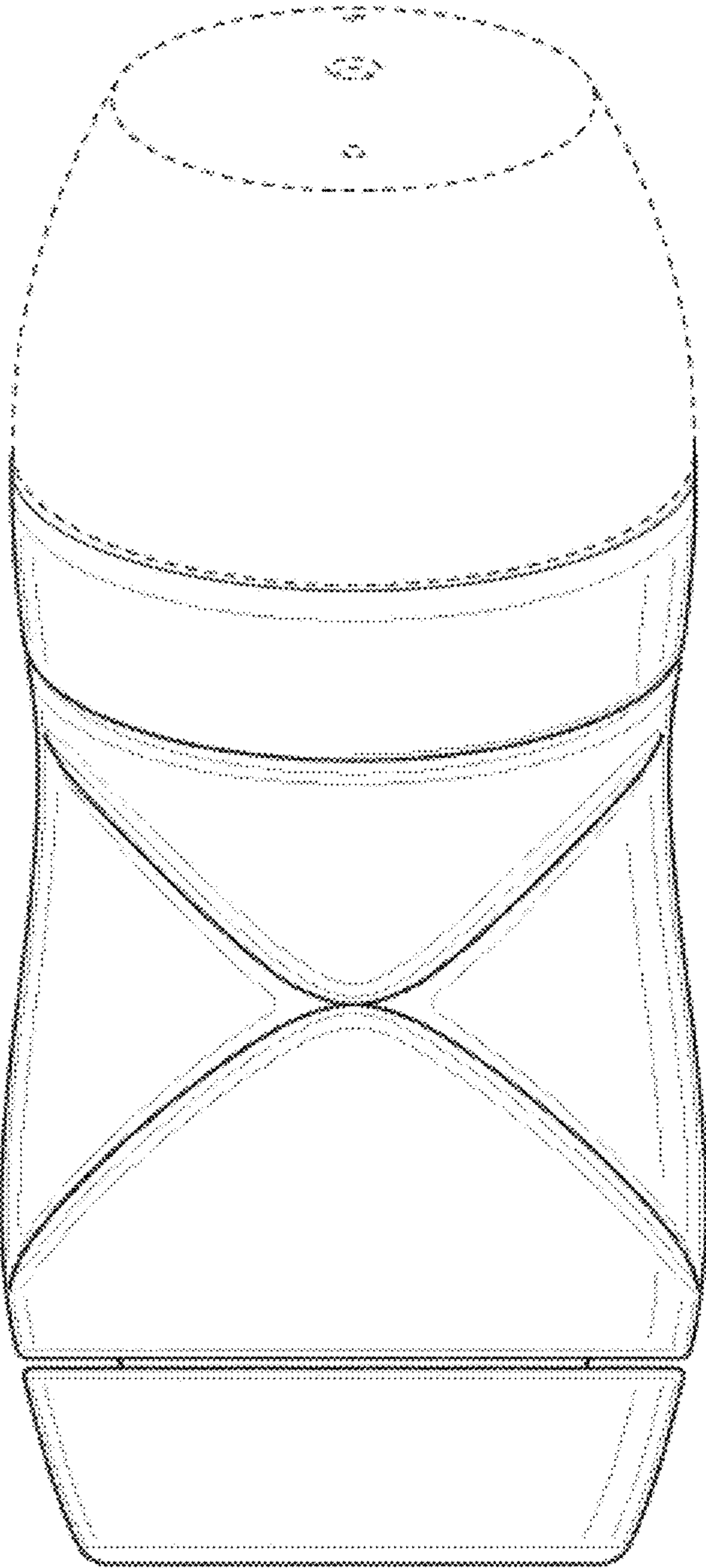


FIG. 2

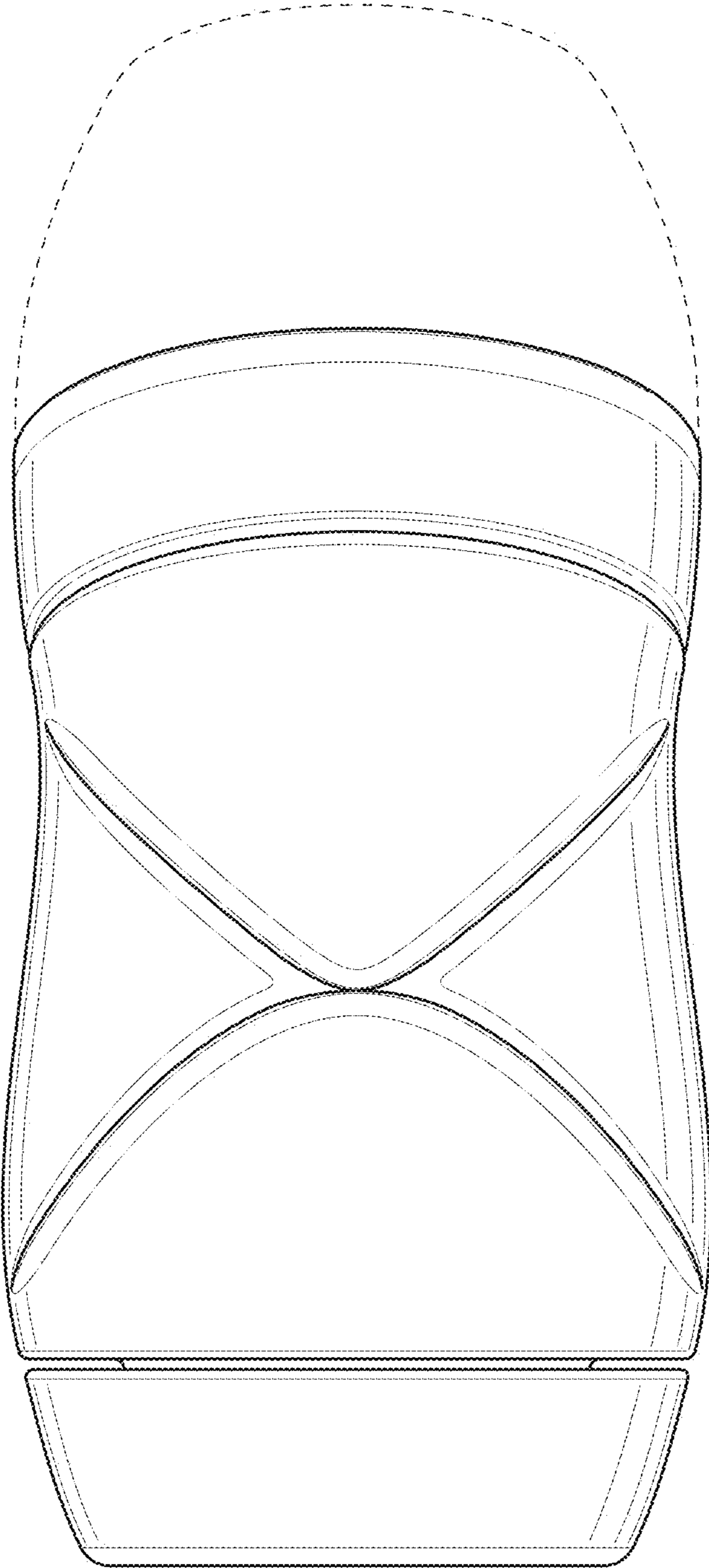


FIG. 3

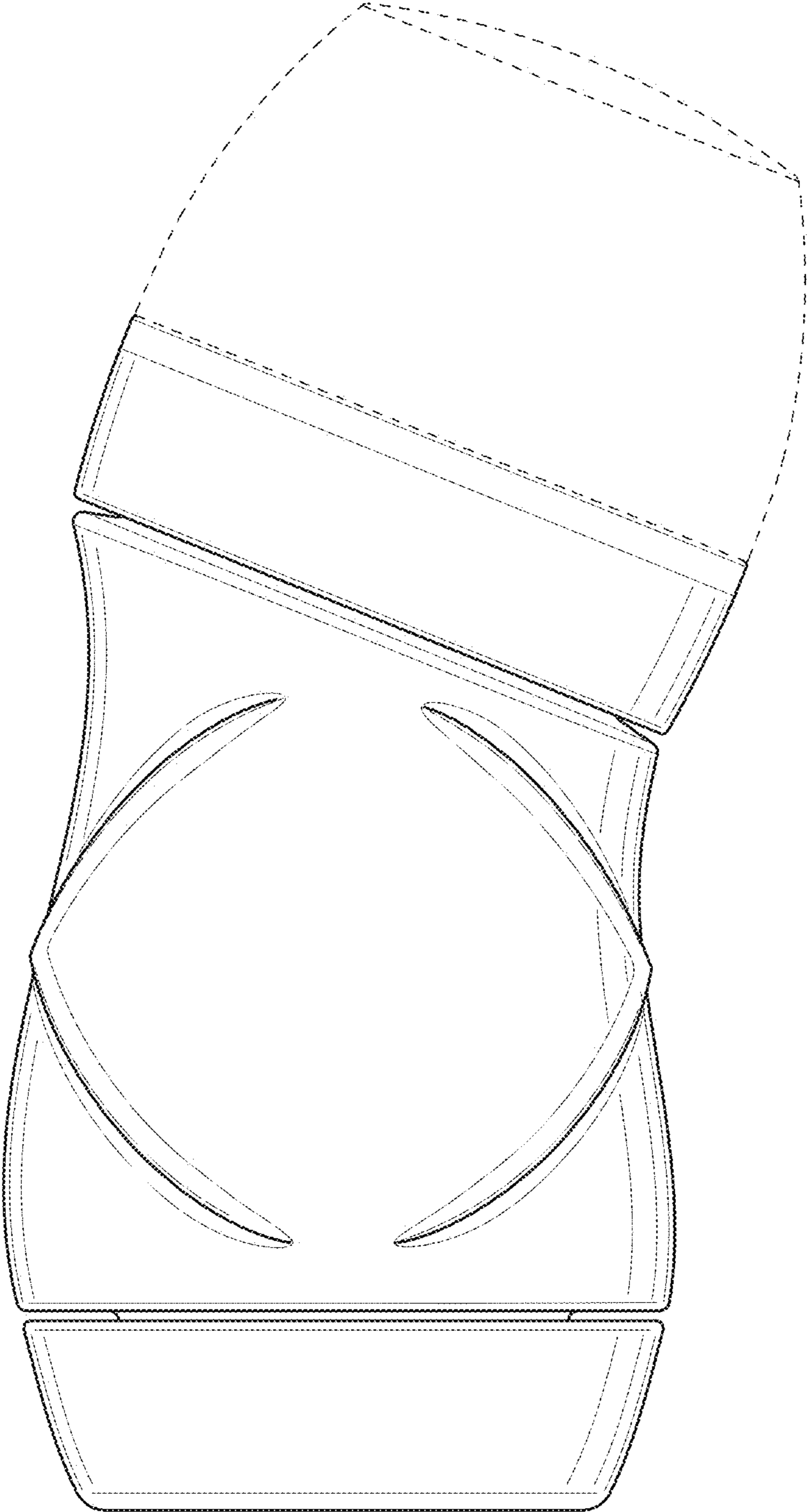


FIG. 4

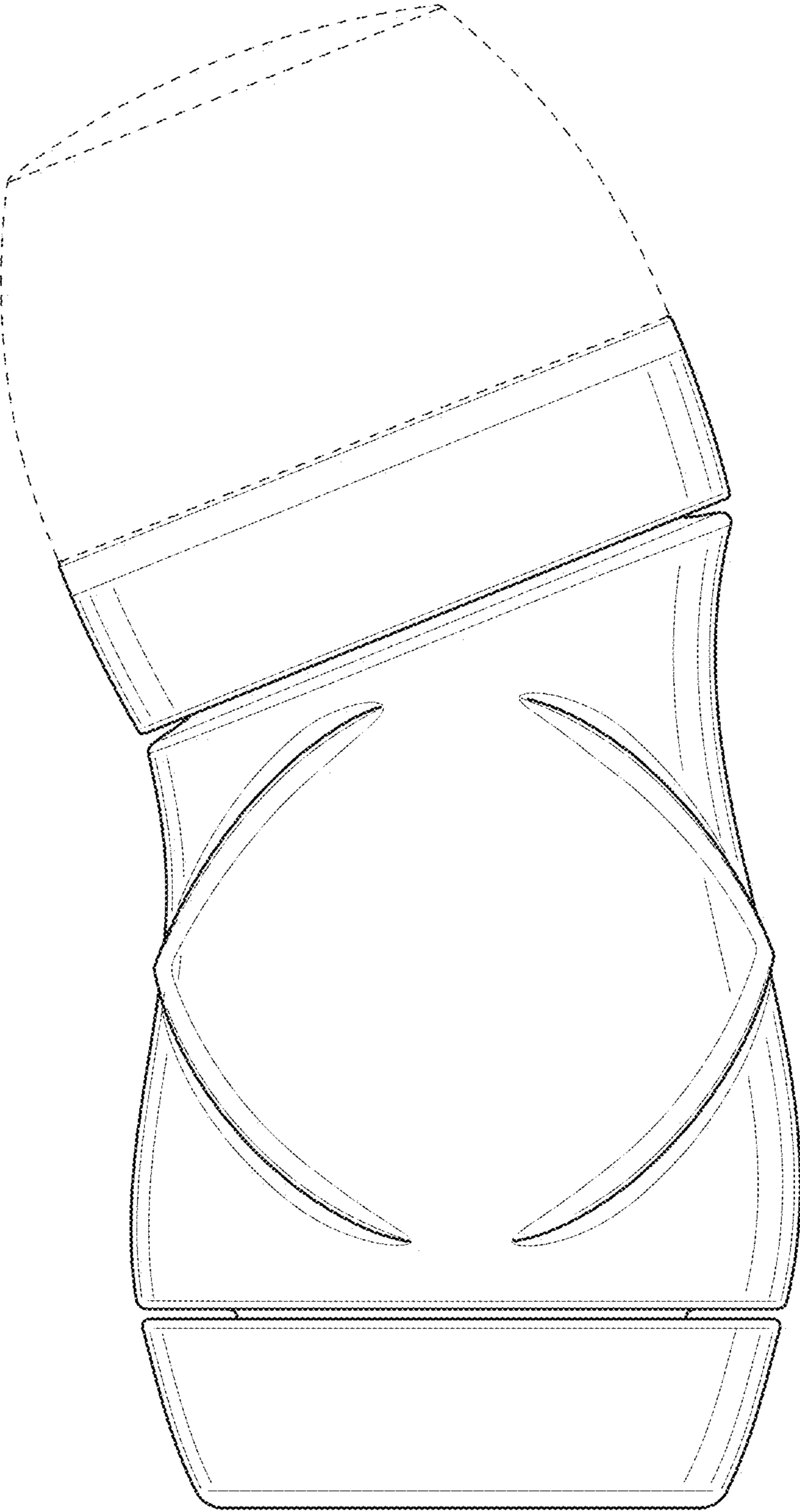


FIG. 5

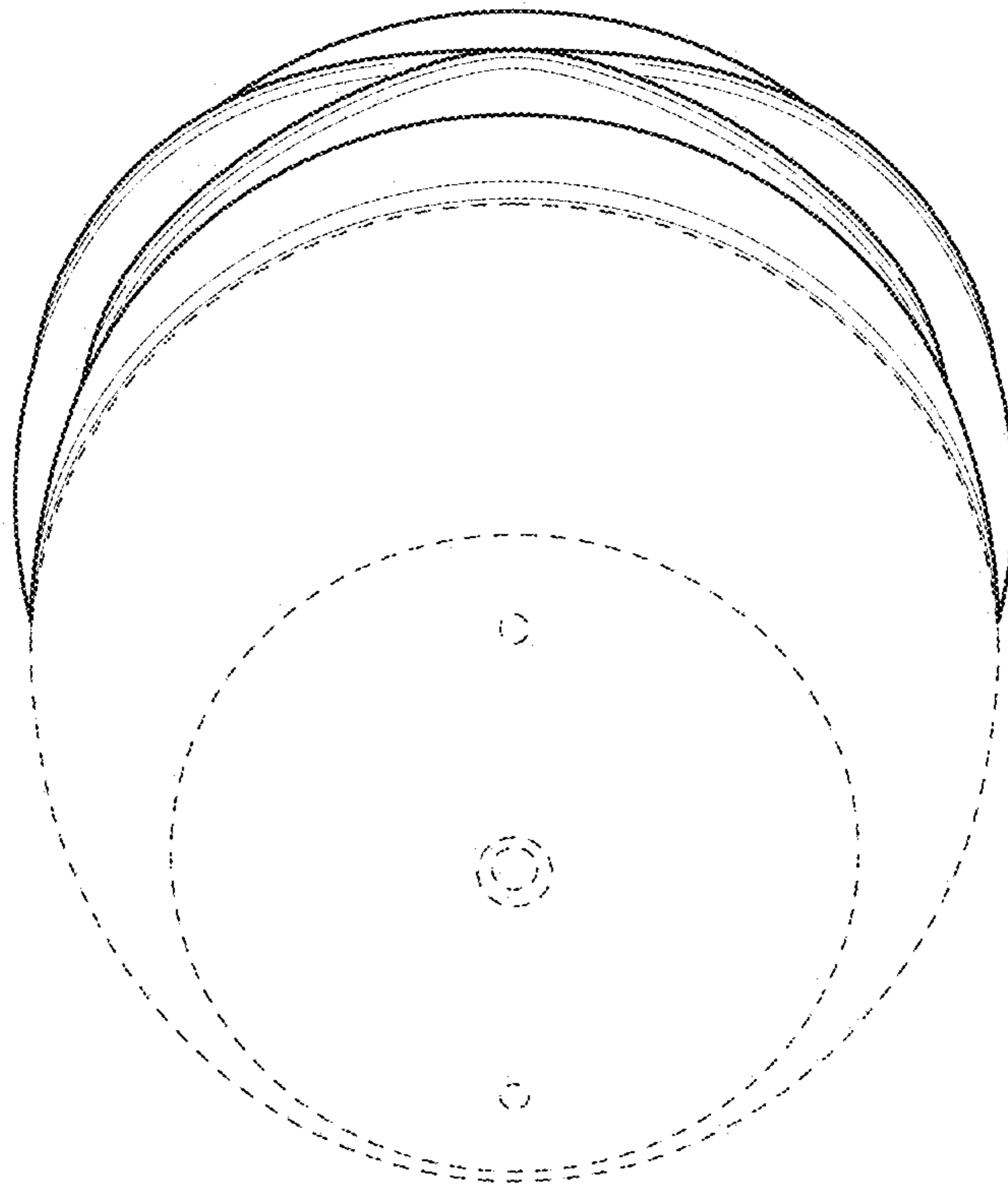


FIG. 6

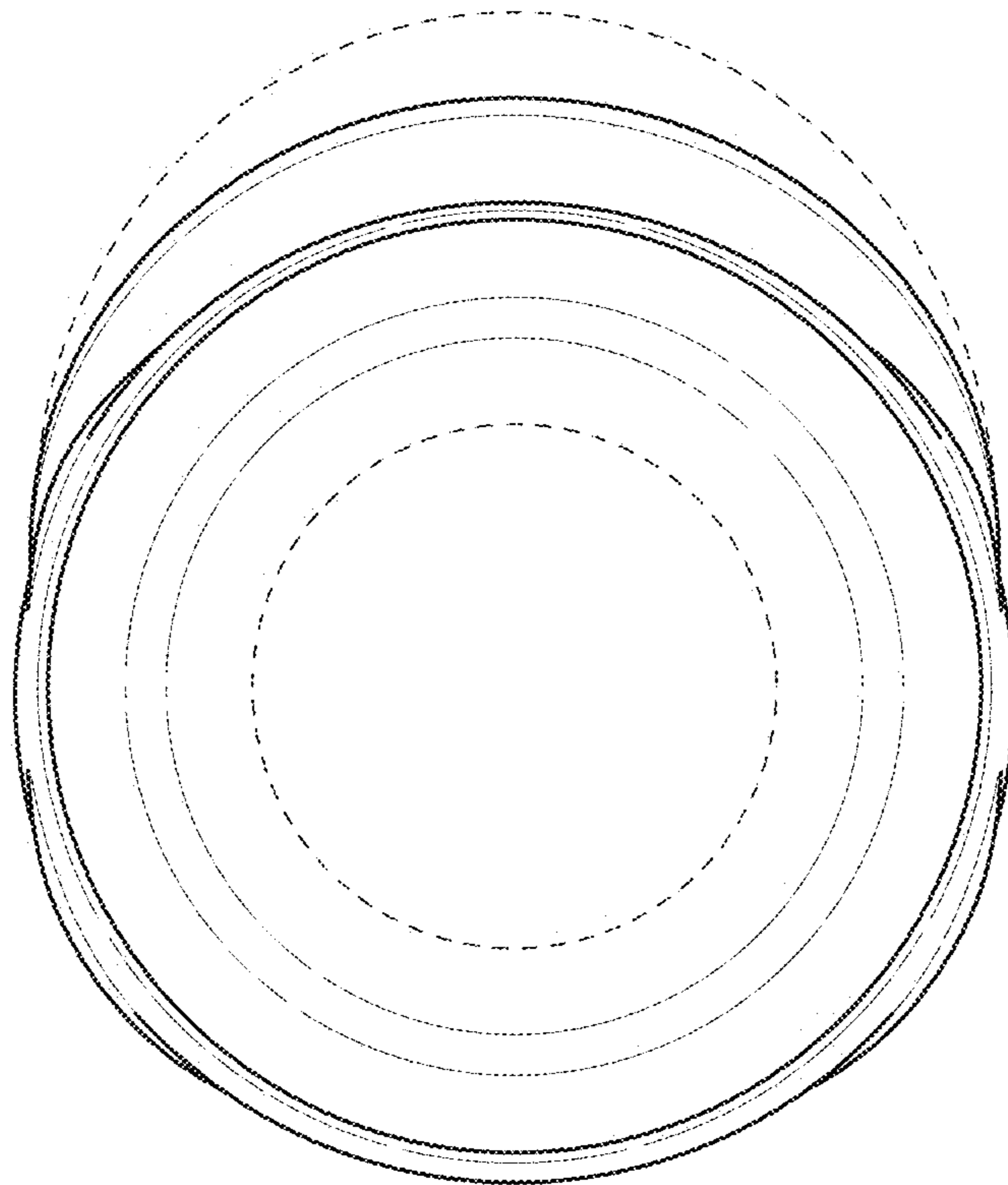


FIG. 7