



US00D924411S

(12) **United States Design Patent**
Davis

(10) **Patent No.:** **US D924,411 S**
(45) **Date of Patent:** **** Jul. 6, 2021**

(54) **COMBINED HEAD AND NECK BRACE**

(71) Applicant: **Kelly Mendal Davis**, Chandler, AZ
(US)

(72) Inventor: **Kelly Mendal Davis**, Chandler, AZ
(US)

(**) Term: **15 Years**

(21) Appl. No.: **29/697,502**

(22) Filed: **Jul. 9, 2019**

(51) **LOC (13) Cl.** **24-04**

(52) **U.S. Cl.**
USPC **D24/191**

(58) **Field of Classification Search**
USPC D24/187–190, 200, 206, 215, 191
CPC A61F 5/055; A61F 5/3707
See application file for complete search history.

(56) **References Cited**

U.S. PATENT DOCUMENTS

D705,429 S *	5/2014	Cheney	D24/169
D796,686 S *	9/2017	Internicola	D24/200
D809,149 S *	1/2018	Tsuzuranuki	D24/190
D875,261 S *	2/2020	Liu	D24/190
D888,971 S *	6/2020	Ito	D24/200
D892,340 S *	8/2020	Bishay	D24/187
D893,034 S *	8/2020	Kase	D24/189

OTHER PUBLICATIONS

Neck Solutions. Head Supports—Devices Designed To Support The Head & Improve Quality Of Life. No date specified. <https://www.necksolutions.com/head-supports/> (Year: 0).*

Made in China. Adjustable Cervical Thoracic Orthosis Lumbar Support CTO. No date specified. <https://denomedical.en.made-in-china.com/product/RvtxQpgAWcYU/China-Adjustable-Cervical-Thoracic-Orthosis-Lumbar-Support-CTO.html> (Year: 0).*
Rally Lights. Hans® Professional Model 20 Head and Neck Support. No date specified. <https://www.rallylights.com/hansr-professional-model-20-head-and-neck-support.html> (Year: 0).*

* cited by examiner

Primary Examiner — Darcey E Gottschalk
(74) *Attorney, Agent, or Firm* — Dunlap Bennett & Ludwig, PLLC; Brendan E. Squire

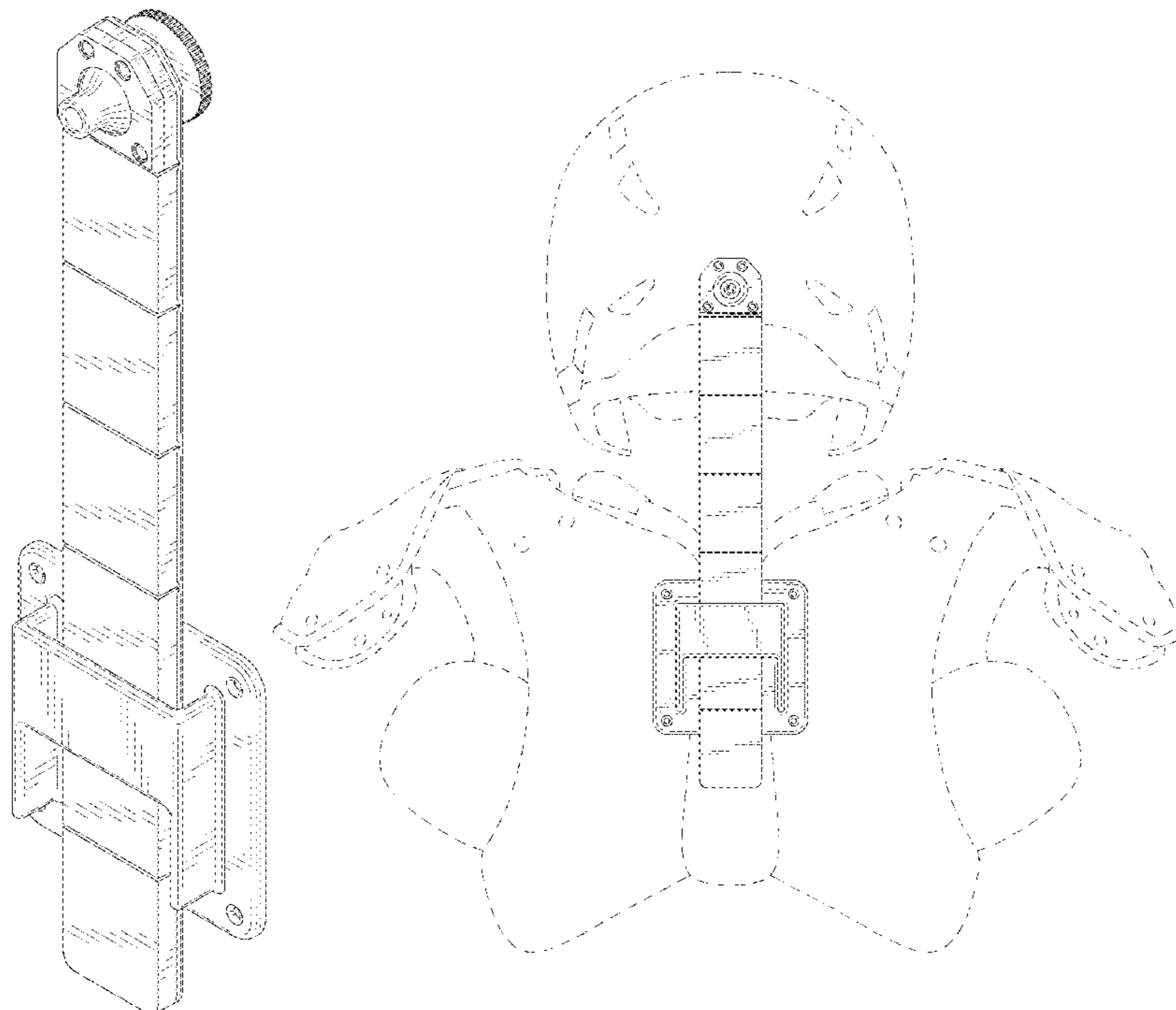
(57) **CLAIM**

The ornamental design for a combined head and neck brace, as shown and described.

DESCRIPTION

FIG. 1 is a top front perspective view a combined head and neck brace showing my new design;
FIG. 2 is a front elevation view thereof;
FIG. 3 is a rear elevation view thereof;
FIG. 4 is a right elevation view thereof, with the left elevation view being a mirror image thereof;
FIG. 5 is a top elevation view thereof;
FIG. 6 is a bottom elevation view thereof; and,
FIG. 7 is a front elevation view thereof, shown in use.
The broken lines in FIG. 7 showing the combined head and neck brace in use illustrates environment and forms no part of the claim.

1 Claim, 5 Drawing Sheets



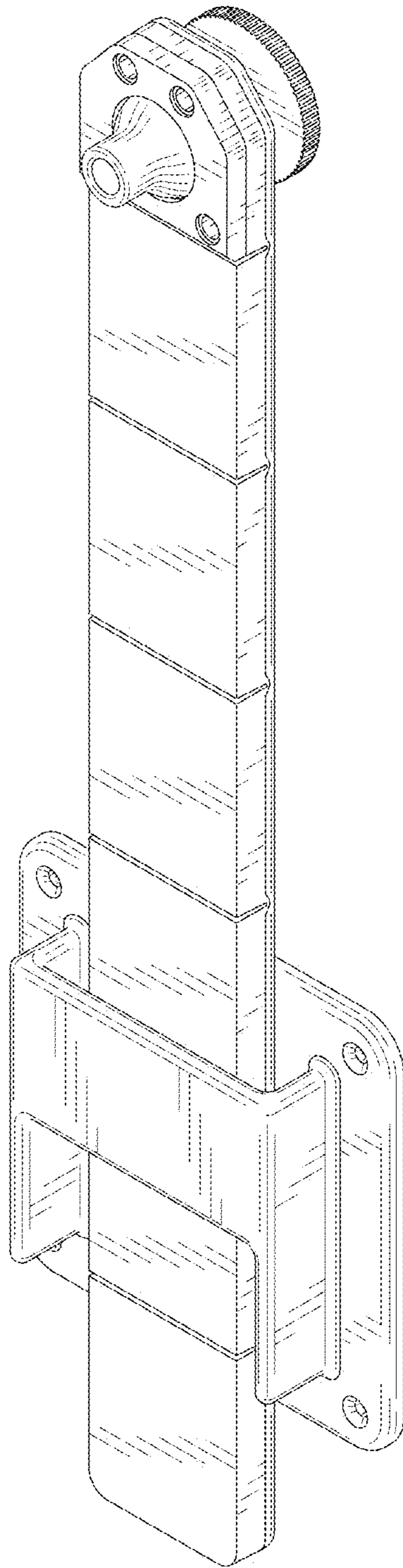


FIG. 1

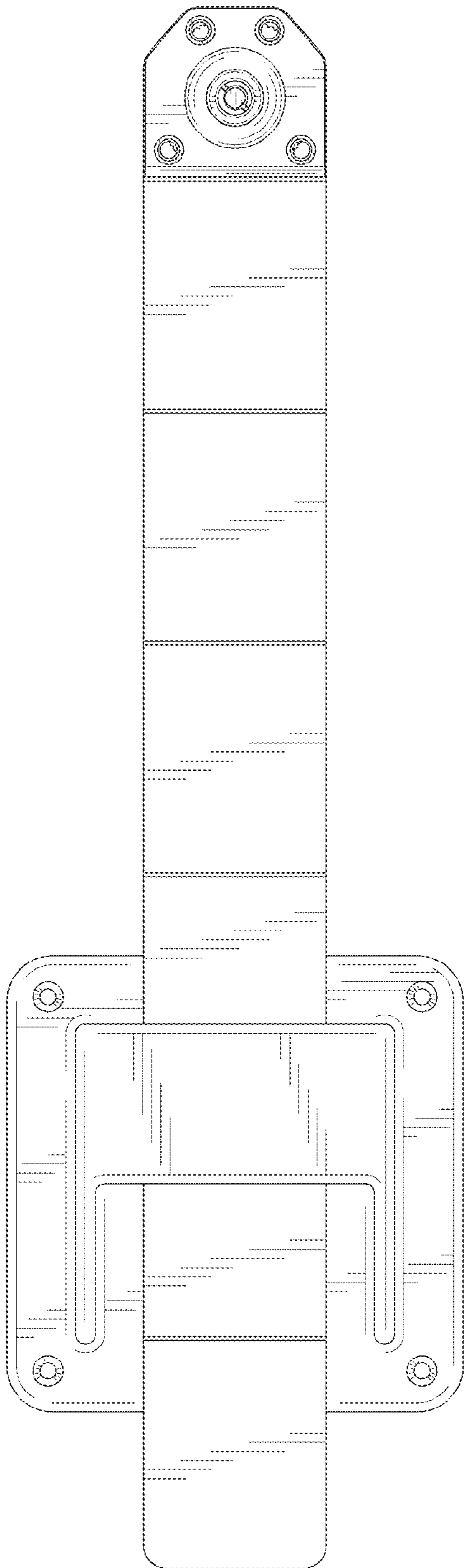


FIG. 2

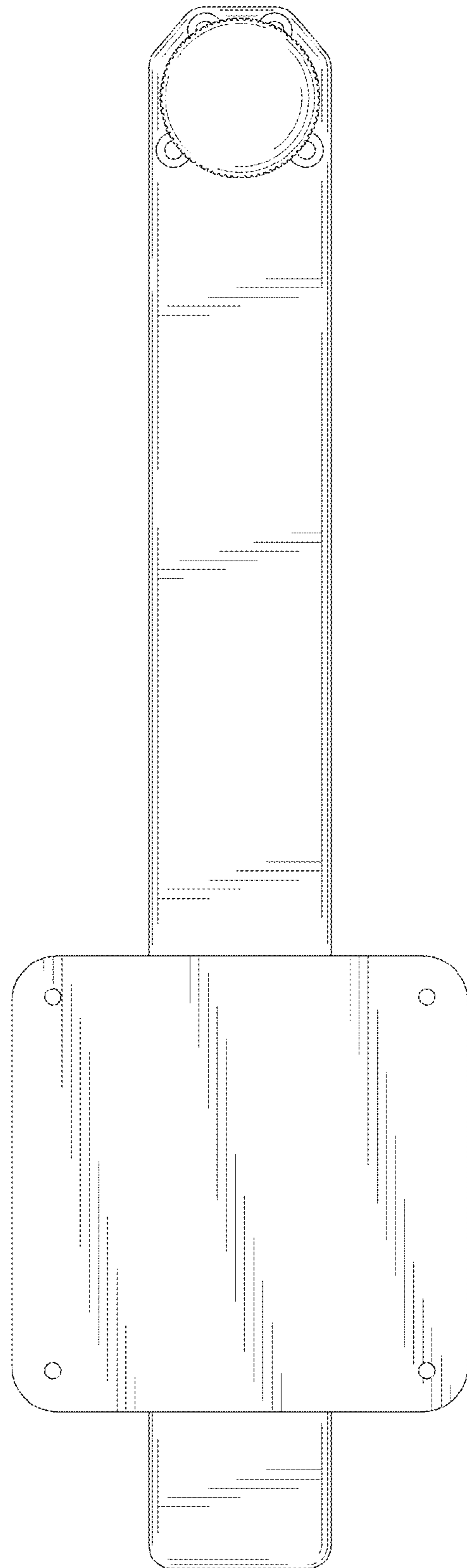


FIG. 3

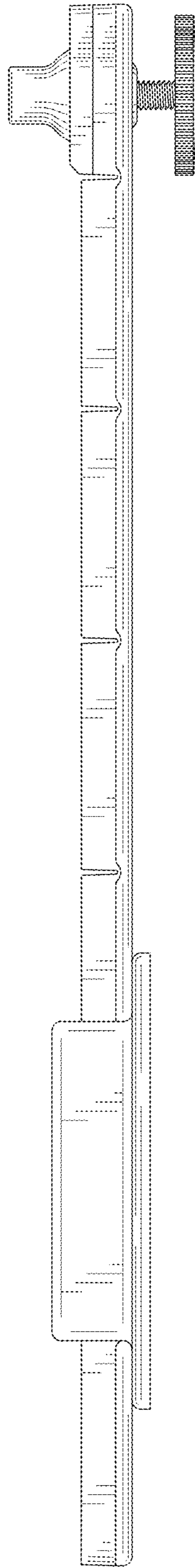


FIG.4

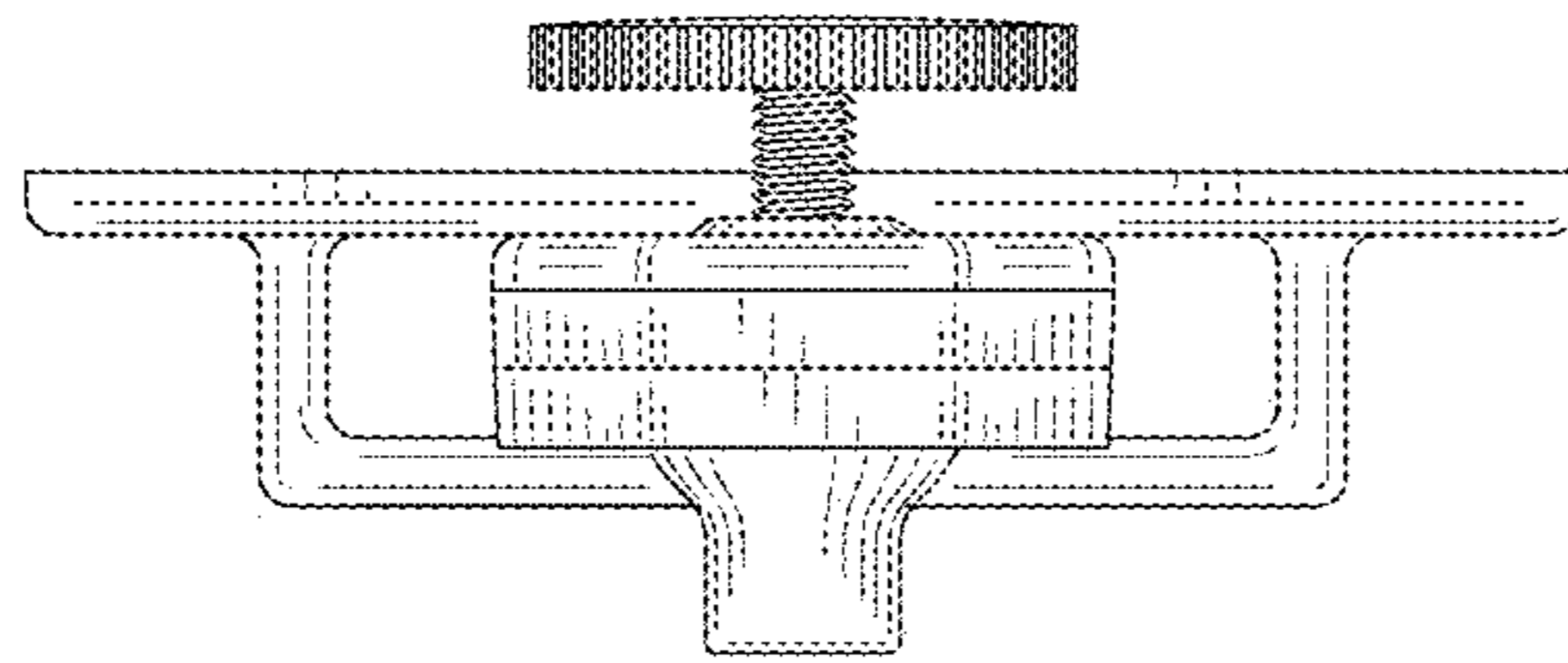


FIG. 5

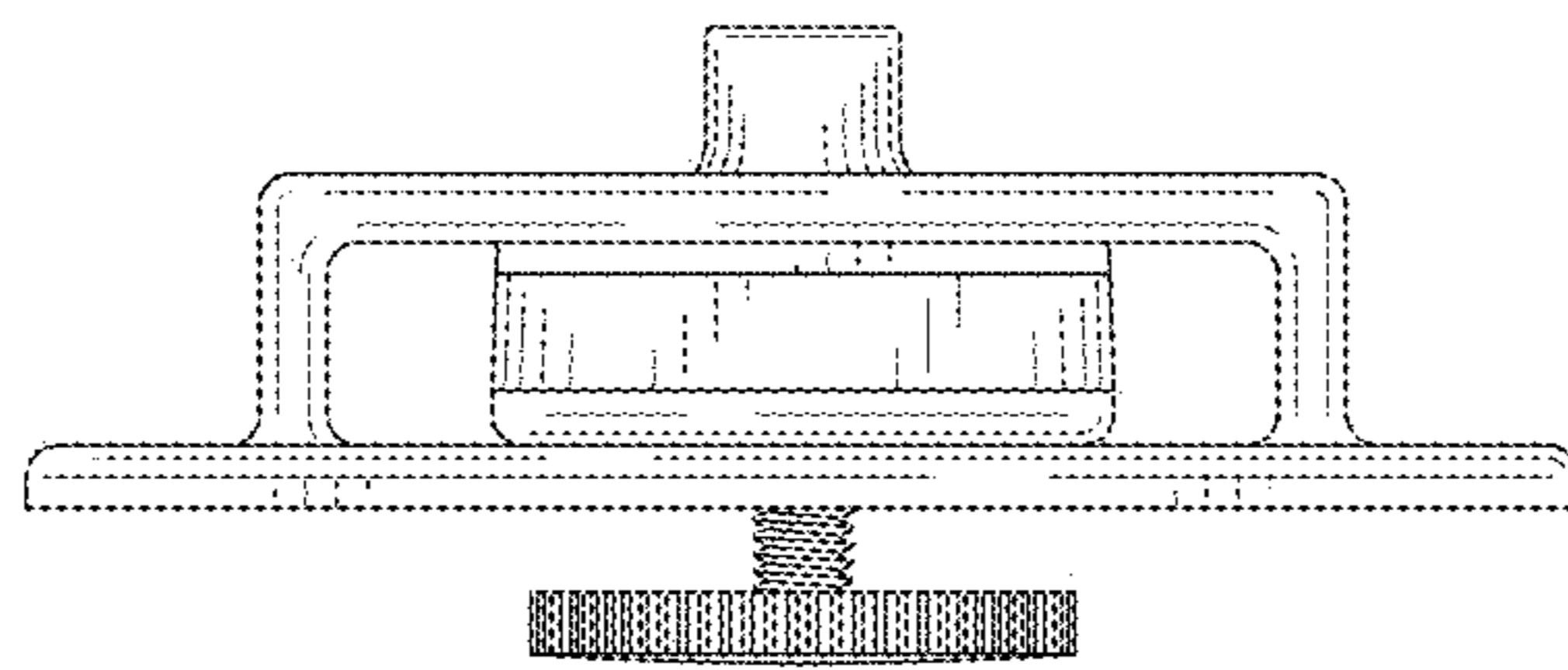


FIG. 6

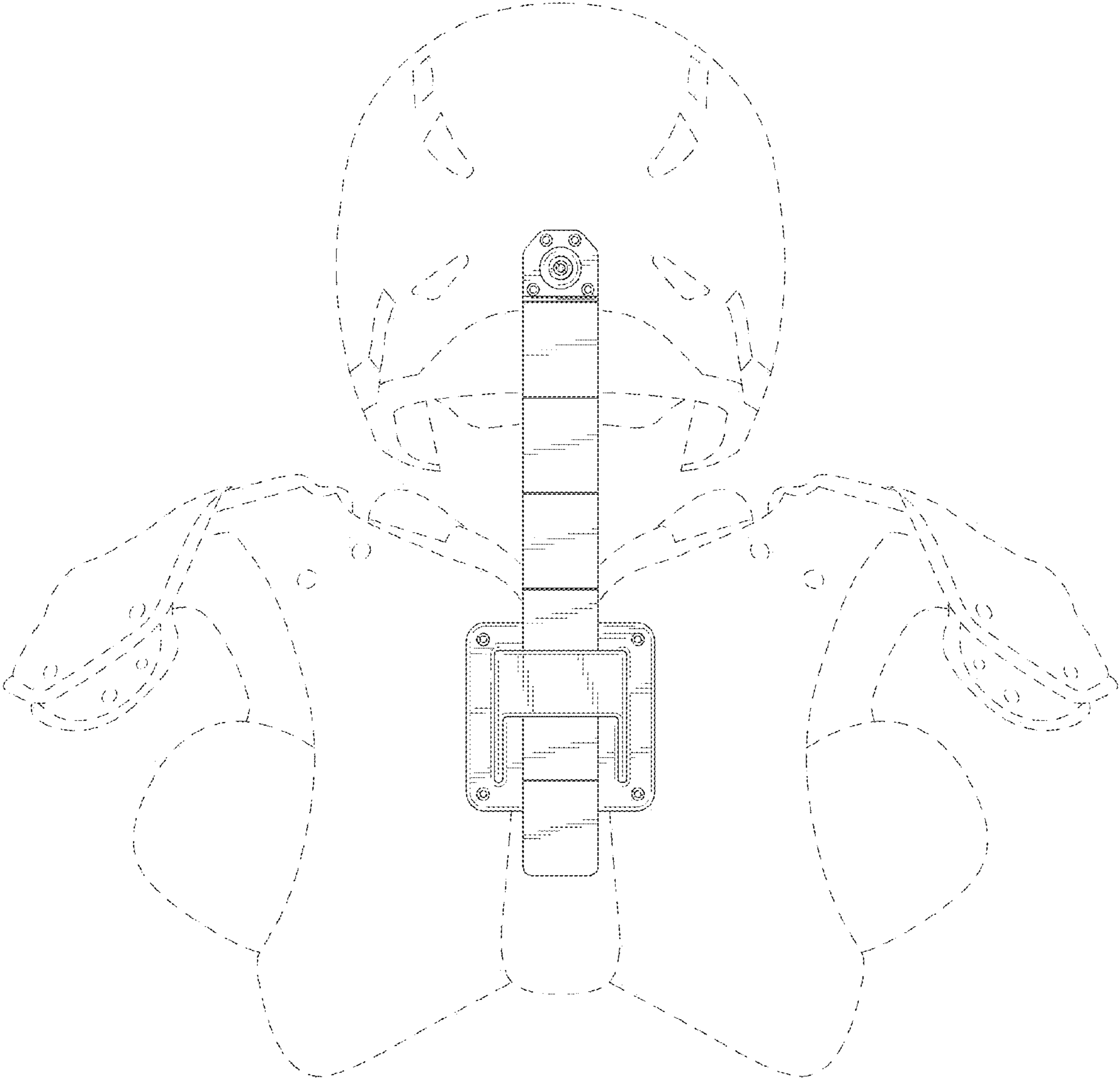


FIG.7