



US00D924410S

(12) **United States Design Patent**
Mendoza et al.

(10) **Patent No.:** **US D924,410 S**

(45) **Date of Patent:** **** Jul. 6, 2021**

(54) **INSTRUMENT TOWER**
(71) Applicant: **Auris Health, Inc.**, Redwood City, CA (US)
(72) Inventors: **Jonathan Mendoza**, San Francisco, CA (US); **Frankie Vazquez**, San Francisco, CA (US); **Toby A. Stopper**, San Francisco, CA (US); **Quinn Slater Huffstetler**, San Francisco, CA (US); **Wonbin Choi**, San Francisco, CA (US)

(73) Assignee: **Auris Health, Inc.**, Redwood City, CA (US)

(**) Term: **15 Years**

(21) Appl. No.: **29/634,007**

(22) Filed: **Jan. 17, 2018**

(51) **LOC (13) Cl.** **24-02**

(52) **U.S. Cl.**
USPC **D24/185**

(58) **Field of Classification Search**
USPC D24/185, 107, 160, 158, 108, 177;
D14/302; D21/529
CPC A61C 19/005; H04M 1/04; B60R 11/0241
See application file for complete search history.

(56) **References Cited**

U.S. PATENT DOCUMENTS

D347,896 S *	6/1994	Dickinson	D24/185
D367,534 S *	2/1996	DiPerna	D24/108
D438,952 S *	3/2001	Cimino	D24/107
D456,080 S *	4/2002	Karlsson	D24/185
6,629,927 B1 *	10/2003	Mesaros	A61B 8/00 600/437
D539,794 S *	4/2007	Rossini	D14/302
D545,967 S *	7/2007	Joyce	D24/160
D555,792 S *	11/2007	Haymann	D24/177
D559,922 S *	1/2008	Kim	D21/529

D628,701 S *	12/2010	Nordgren	D24/185
D652,936 S *	1/2012	Ross	D24/185
D657,469 S *	4/2012	Vilas	D24/185
8,844,951 B2 *	9/2014	De Jong	B62B 3/10 280/47.34
D724,738 S *	3/2015	Dorris	D24/158
D726,923 S *	4/2015	Baba	D24/158
D727,504 S *	4/2015	Ninomiya	D24/158
D728,791 S *	5/2015	Ninomiya	D24/158
9,055,910 B2 *	6/2015	Nakajima	A61B 8/4405
D735,342 S *	7/2015	Asad	D24/185
D735,868 S *	8/2015	Mareguddi	D24/185
D743,558 S *	11/2015	Kim	D24/158
9,561,083 B2	2/2017	Yu et al.		
9,622,827 B2	4/2017	Yu et al.		
9,636,184 B2	5/2017	Lee et al.		
D790,065 S *	6/2017	O'Connor	D24/158
9,713,509 B2	7/2017	Schuh et al.		
9,727,963 B2	8/2017	Mintz et al.		
9,737,371 B2	8/2017	Romo et al.		

(Continued)

Primary Examiner — Rhea Shields

(74) *Attorney, Agent, or Firm* — Chang & Hale LLP

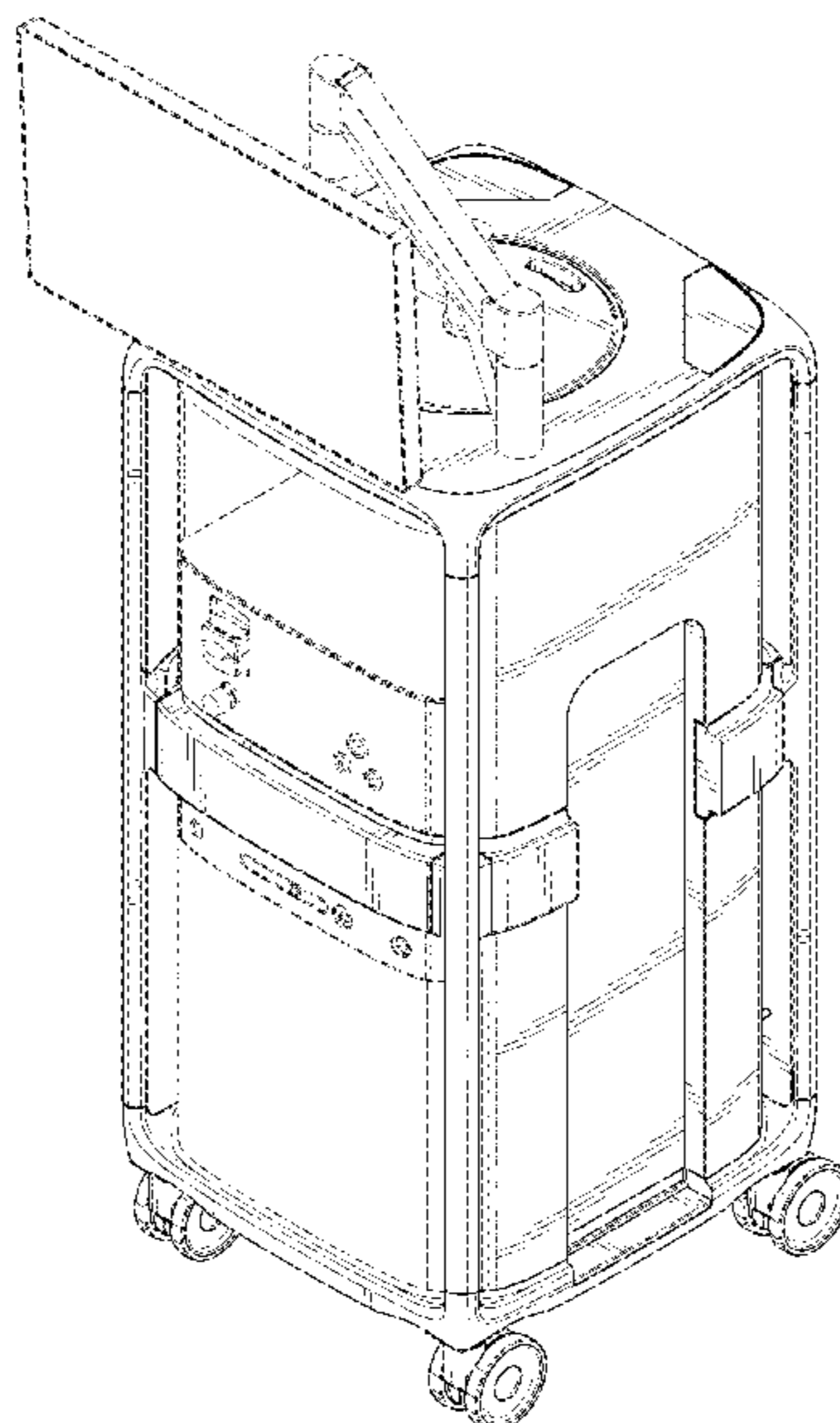
(57) **CLAIM**

The ornamental design for an instrument tower, as shown and described.

DESCRIPTION

FIG. 1 is a top, front, left perspective view of an instrument tower;
FIG. 2 is a front view thereof;
FIG. 3 is a rear view thereof;
FIG. 4 is a left-side elevation view thereof;
FIG. 5 is a right side elevation view thereof;
FIG. 6 is a top plan view thereof; and,
FIG. 7 is a bottom plan view thereof.
In the drawings, the broken lines are for the purpose of illustrating portions of the instrument tower that form no part of the claimed design.

1 Claim, 6 Drawing Sheets



(56)

References Cited

U.S. PATENT DOCUMENTS

9,737,373	B2	8/2017	Schuh	2018/0325499	A1	11/2018	Landey et al.
9,744,335	B2	8/2017	Jiang	2018/0333044	A1	11/2018	Jenkins
9,763,741	B2	9/2017	Alvarez et al.	2018/0360435	A1	12/2018	Romo
9,788,910	B2	10/2017	Schuh	2019/0000559	A1	1/2019	Berman et al.
9,818,681	B2	11/2017	Machida	2019/0000560	A1	1/2019	Berman et al.
9,844,412	B2	12/2017	Bogusky et al.	2019/0000576	A1	1/2019	Mintz et al.
9,867,635	B2	1/2018	Alvarez et al.	2019/0083183	A1	3/2019	Moll et al.
9,918,681	B2	3/2018	Wallace et al.	2019/0110839	A1	4/2019	Rafii-Tari et al.
9,931,025	B1	4/2018	Graetzel et al.	2019/0151148	A1	4/2019	Alvarez et al.
9,949,749	B2	4/2018	Noonan et al.	2019/0167366	A1	6/2019	Ummalaneni
9,955,986	B2	5/2018	Shah	2019/0175009	A1	6/2019	Mintz
9,962,228	B2	5/2018	Schuh et al.	2019/0175062	A1	6/2019	Rafii-Tari et al.
9,980,785	B2	5/2018	Schuh	2019/0175799	A1	6/2019	Hsu
9,993,313	B2	6/2018	Schuh et al.	2019/0183585	A1	6/2019	Rafii-Tari et al.
10,016,900	B1	7/2018	Meyer et al.	2019/0183587	A1	6/2019	Rafii-Tari et al.
10,022,192	B1	7/2018	Ummalaneni	2019/0216548	A1	7/2019	Ummalaneni
10,145,747	B1	12/2018	Lin et al.	2019/0216576	A1	7/2019	Eyre
10,159,532	B1	12/2018	Ummalaneni et al.	2019/0223974	A1	7/2019	Romo
10,285,574	B2	5/2019	Landey et al.	2019/0228525	A1	7/2019	Mintz et al.
10,299,870	B2	5/2019	Connolly et al.	2019/0246882	A1	8/2019	Graetzel et al.
10,426,559	B2	10/2019	Graetzel et al.	2019/0262086	A1	8/2019	Connolly et al.
10,434,660	B2	10/2019	Meyer	2019/0269468	A1	9/2019	Hsu et al.
10,464,209	B2	11/2019	Ho et al.	2019/0274764	A1	9/2019	Romo
10,470,830	B2	11/2019	Hill	2019/0290109	A1	9/2019	Agrawal et al.
10,482,599	B2	11/2019	Mintz et al.	2019/0298160	A1	10/2019	Ummalaneni et al.
D871,588	S *	12/2019	Schultz D24/185	2019/0298460	A1	10/2019	Al-Jadda
10,517,692	B2	12/2019	Eyre et al.	2019/0298465	A1	10/2019	Chin
10,524,866	B2	1/2020	Srinivasan	2019/0328213	A1	10/2019	Landey et al.
10,539,478	B2	1/2020	Lin	2019/0336238	A1	11/2019	Yu
D875,951	S *	2/2020	Kent D24/185	2019/0365201	A1	12/2019	Noonan et al.
10,555,778	B2	2/2020	Ummalaneni et al.	2019/0365209	A1	12/2019	Ye et al.
10,639,114	B2	5/2020	Schuh	2019/0365479	A1	12/2019	Rafii-Tari
10,667,875	B2	6/2020	DeFonzo	2019/0365486	A1	12/2019	Srinivasan et al.
2014/0142591	A1	5/2014	Alvarez et al.	2019/0374297	A1	12/2019	Wallace et al.
2014/0309649	A1	10/2014	Alvarez et al.	2019/0375383	A1	12/2019	Alvarez
2014/0357984	A1	12/2014	Wallace et al.	2019/0380787	A1	12/2019	Ye
2014/0364870	A1	12/2014	Alvarez et al.	2019/0380797	A1	12/2019	Yu
2014/0379000	A1	12/2014	Romo et al.	2020/0000533	A1	1/2020	Schuh
2015/0051592	A1	2/2015	Kintz	2020/0022767	A1	1/2020	Hill
2015/0101442	A1	4/2015	Romo	2020/0038123	A1	2/2020	Graetzel
2015/0119638	A1	4/2015	Yu et al.	2020/0039086	A1	2/2020	Meyer
2015/0164594	A1	6/2015	Romo et al.	2020/0046434	A1	2/2020	Graetzel
2015/0164596	A1	6/2015	Romo	2020/0054408	A1	2/2020	Schuh et al.
2015/0335480	A1	11/2015	Alvarez et al.	2020/0060516	A1	2/2020	Baez
2016/0001038	A1	1/2016	Romo et al.	2020/0085516	A1	3/2020	DeFonzo
2016/0270865	A1	9/2016	Landey et al.	2020/0093549	A1	3/2020	Chin
2016/0287279	A1	10/2016	Bovay et al.	2020/0093554	A1	3/2020	Schuh
2016/0296294	A1	10/2016	Moll et al.	2020/0100845	A1	4/2020	Julian
2016/0374541	A1	12/2016	Agrawal et al.	2020/0100853	A1	4/2020	Ho
2017/0007337	A1	1/2017	Dan	2020/0100855	A1	4/2020	Leparmentier
2017/0100199	A1	4/2017	Yu et al.	2020/0101264	A1	4/2020	Jiang
2017/0119413	A1	5/2017	Romo	2020/0107894	A1	4/2020	Wallace
2017/0119481	A1	5/2017	Romo et al.	2020/0121502	A1	4/2020	Kintz
2017/0165011	A1	6/2017	Bovay et al.	2020/0146769	A1	5/2020	Eyre
2017/0172673	A1	6/2017	Yu et al.	2020/0170720	A1	6/2020	Ummalaneni
2017/0202627	A1	7/2017	Sramek et al.	2020/0171660	A1	6/2020	Ho
2017/0209073	A1	7/2017	Sramek et al.	2020/0188043	A1	6/2020	Yu
2017/0290631	A1	10/2017	Lee et al.	2020/0197112	A1	6/2020	Chin
2017/0333679	A1	11/2017	Jiang	2020/0206472	A1	7/2020	Ma
2017/0340396	A1	11/2017	Romo et al.	2020/0217733	A1	7/2020	Lin
2017/0365055	A1	12/2017	Mintz et al.	2020/0222134	A1	7/2020	Schuh
2017/0367782	A1	12/2017	Schuh et al.	2020/0237458	A1	7/2020	DeFonzo
2018/0025666	A1	1/2018	Ho et al.	2020/0261172	A1	8/2020	Romo
2018/0177383	A1	6/2018	Noonan et al.	2020/0268459	A1	8/2020	Noonan et al.
2018/0177556	A1	6/2018	Noonan et al.	2020/0268460	A1	8/2020	Tse
2018/0177561	A1	6/2018	Mintz et al.	2020/0281787	A1	9/2020	Ruiz
2018/0214011	A1	8/2018	Graetzel et al.	2020/0297437	A1	9/2020	Schuh
2018/0221038	A1	8/2018	Noonan et al.	2020/0305922	A1	10/2020	Schuh
2018/0221039	A1	8/2018	Shah	2020/0305983	A1	10/2020	Yampolsky
2018/0250083	A1	9/2018	Schuh et al.	2020/0305989	A1	10/2020	Schuh
2018/0271616	A1	9/2018	Schuh et al.	2020/0315717	A1	10/2020	Bovay
2018/0279852	A1	10/2018	Rafii-Tari et al.	2020/0315723	A1	10/2020	Hassan
2018/0280660	A1	10/2018	Landey et al.	2020/0323596	A1	10/2020	Moll
2018/0289431	A1	10/2018	Draper et al.	2020/0330167	A1	10/2020	Romo
				2020/0345216	A1	11/2020	Jenkins

* cited by examiner

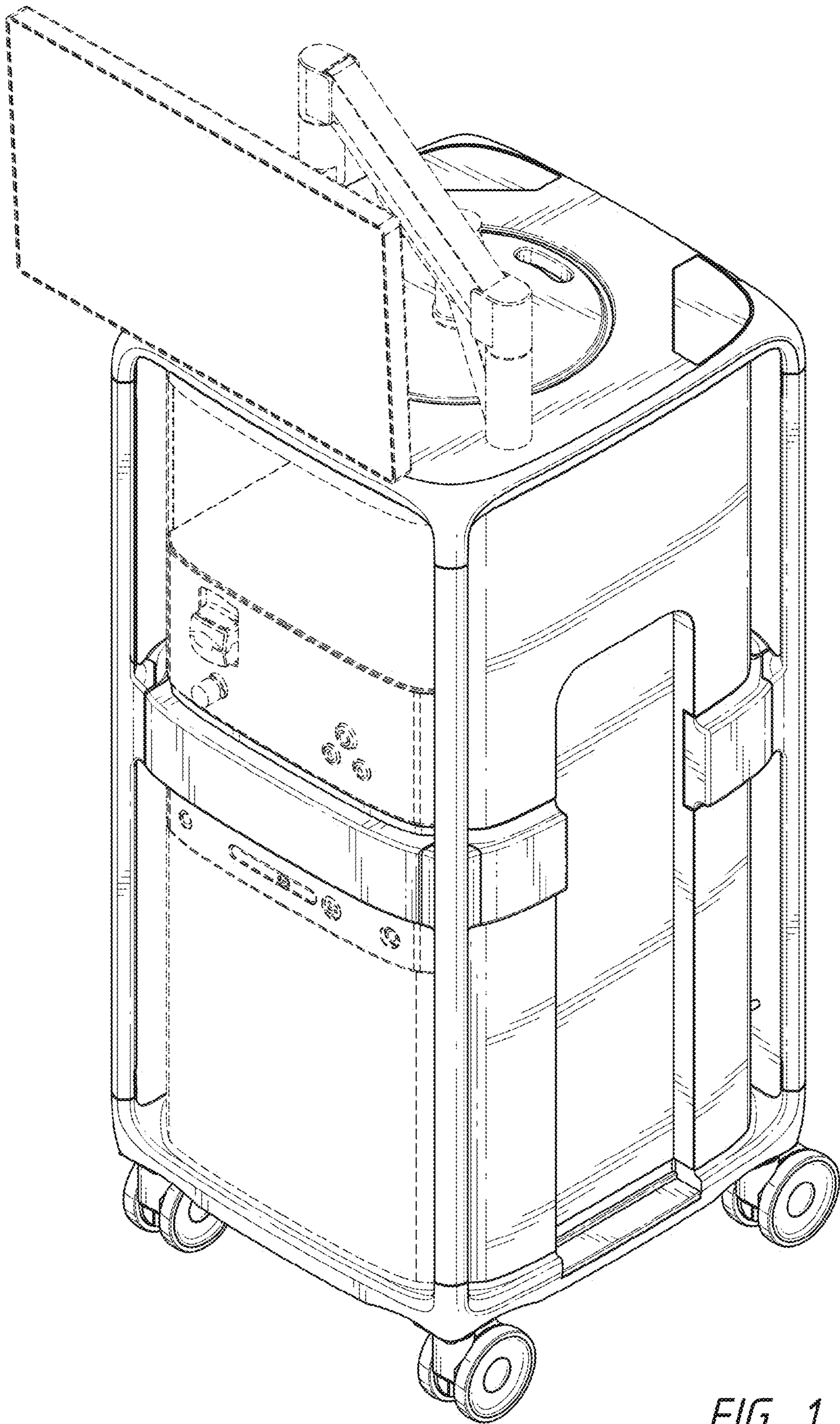


FIG. 1

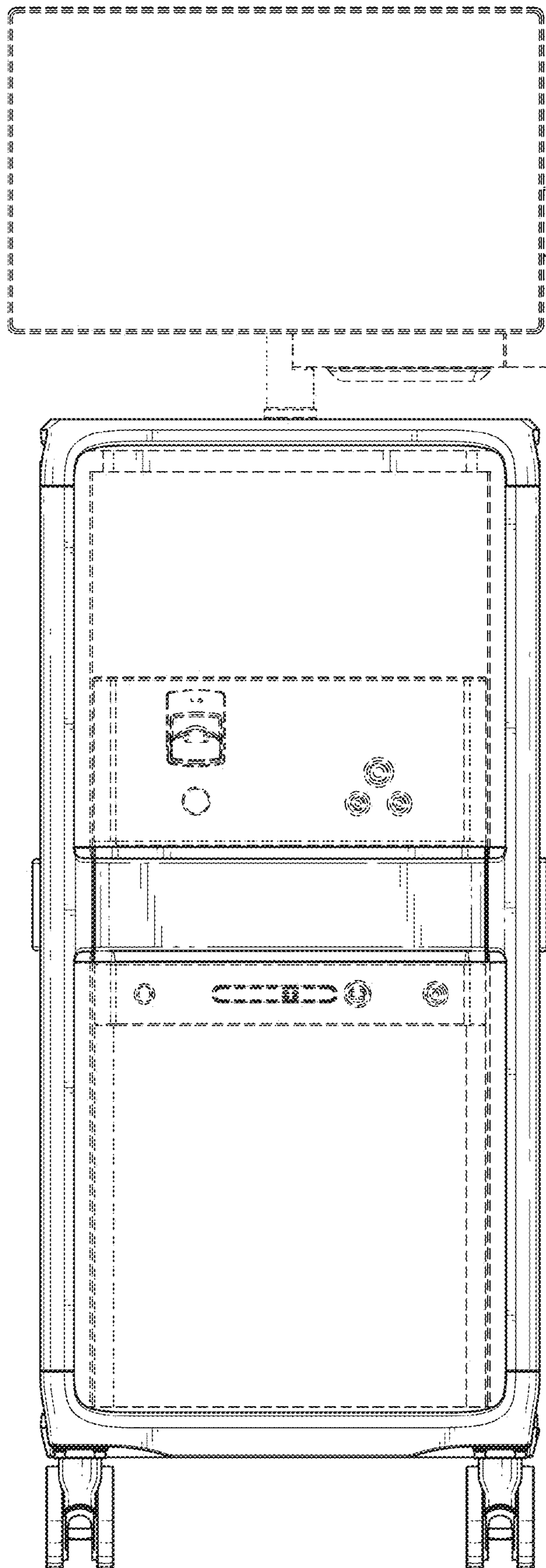


FIG. 2

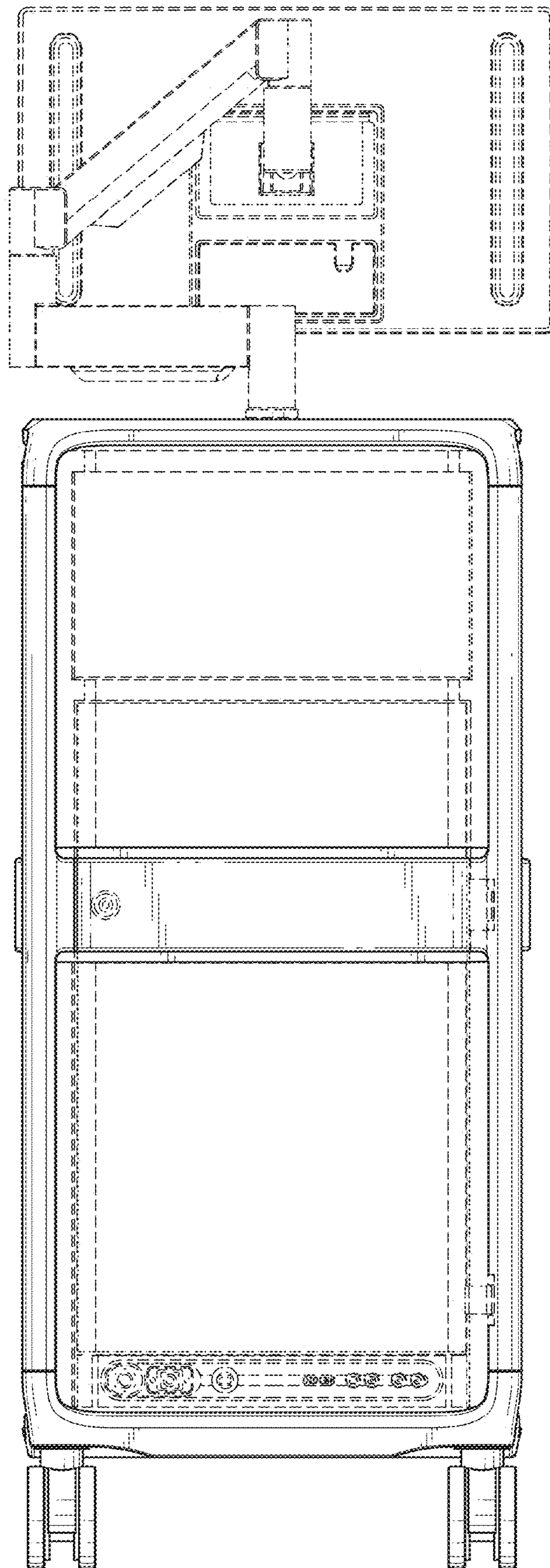


FIG. 3

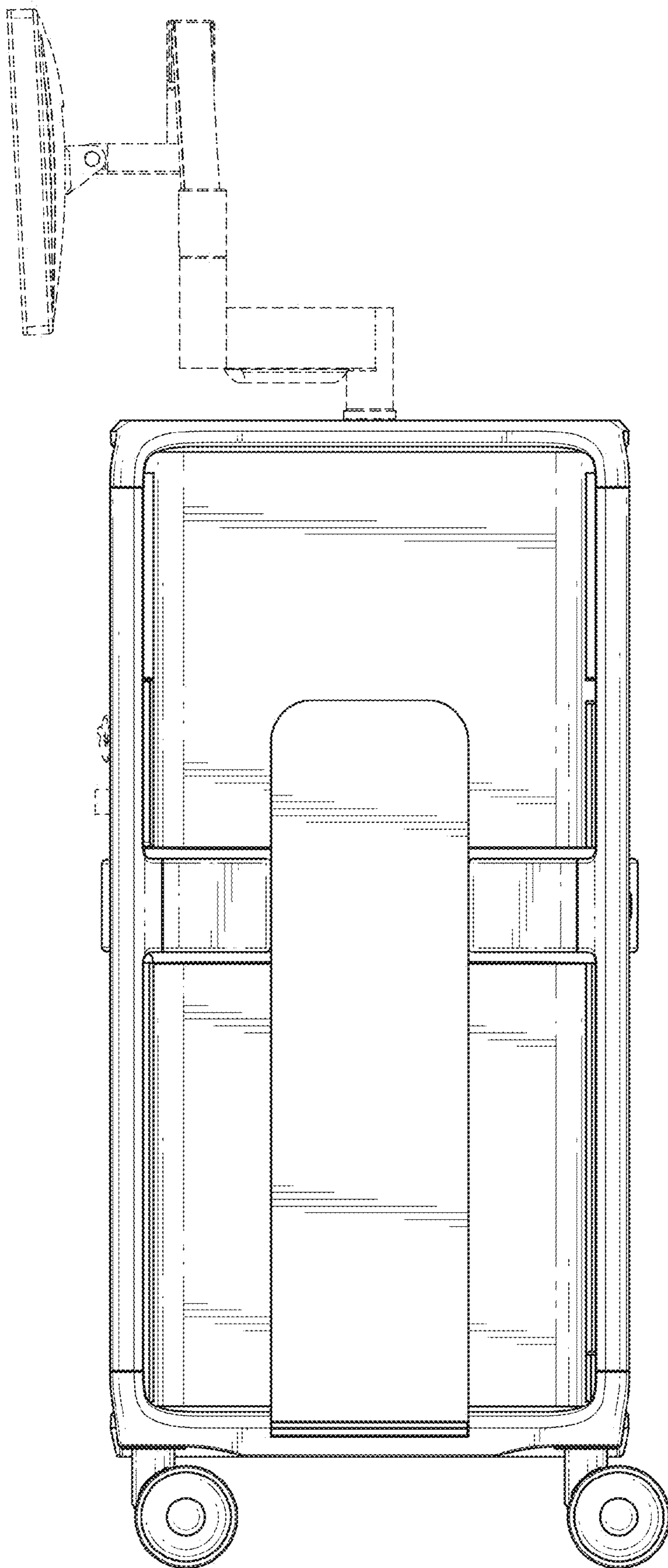


FIG. 4

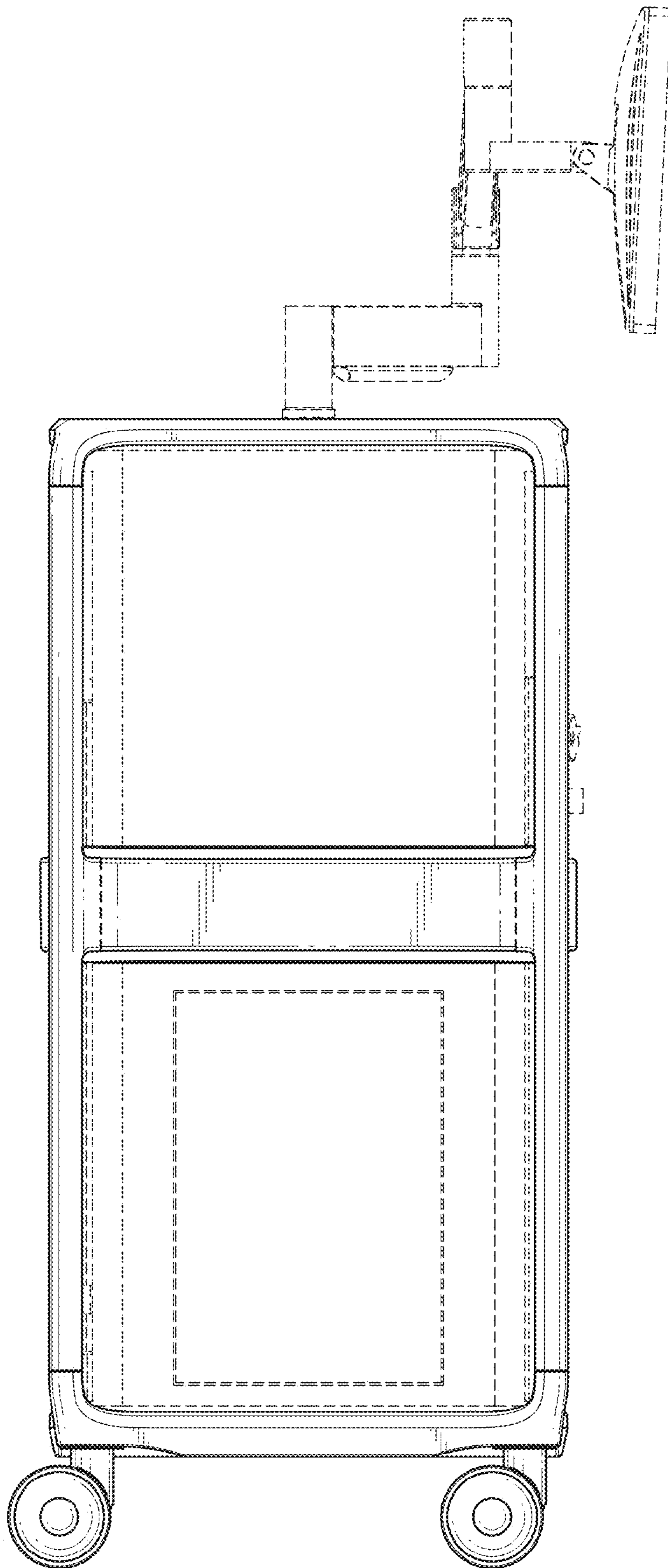


FIG. 5

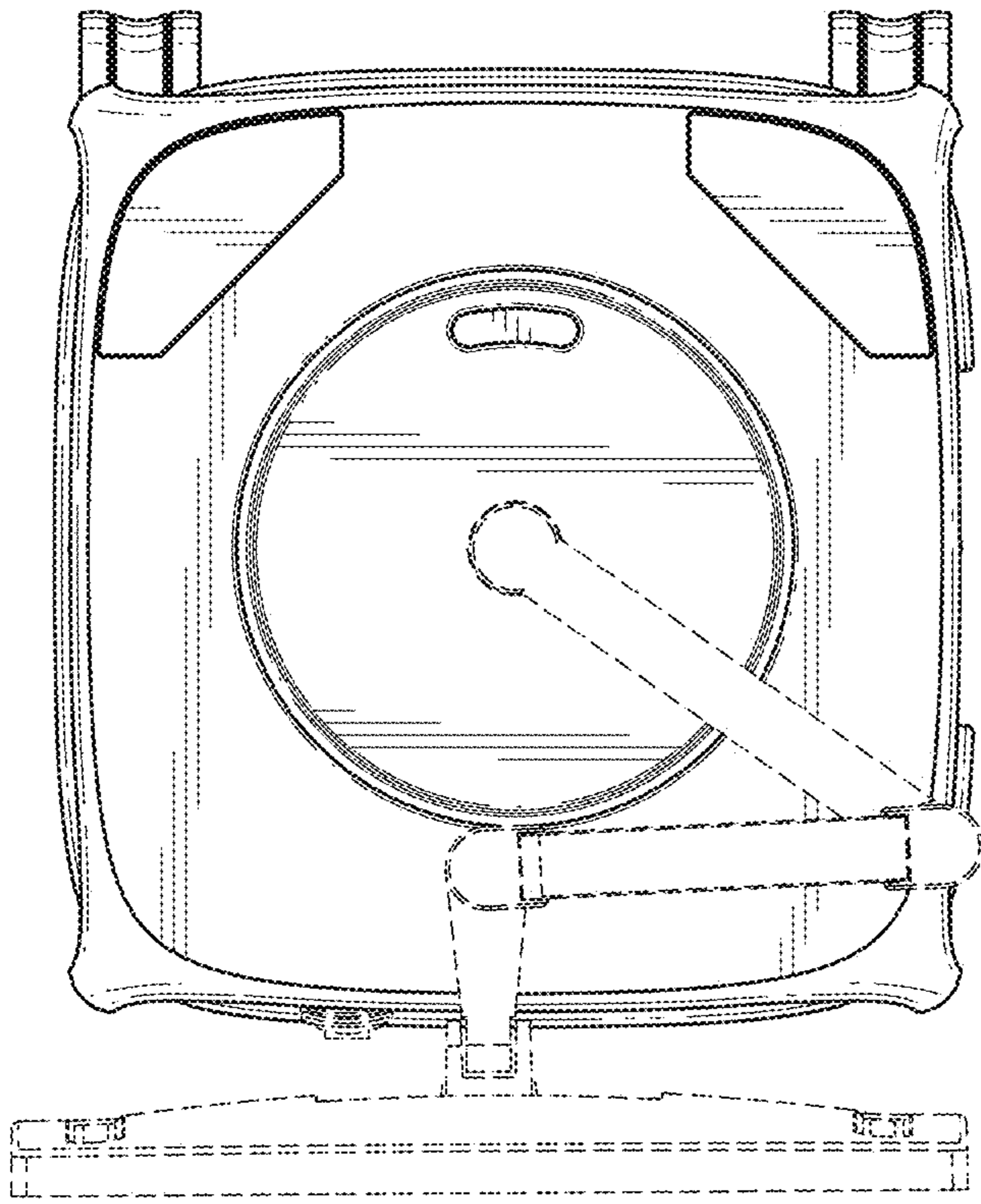


FIG. 6

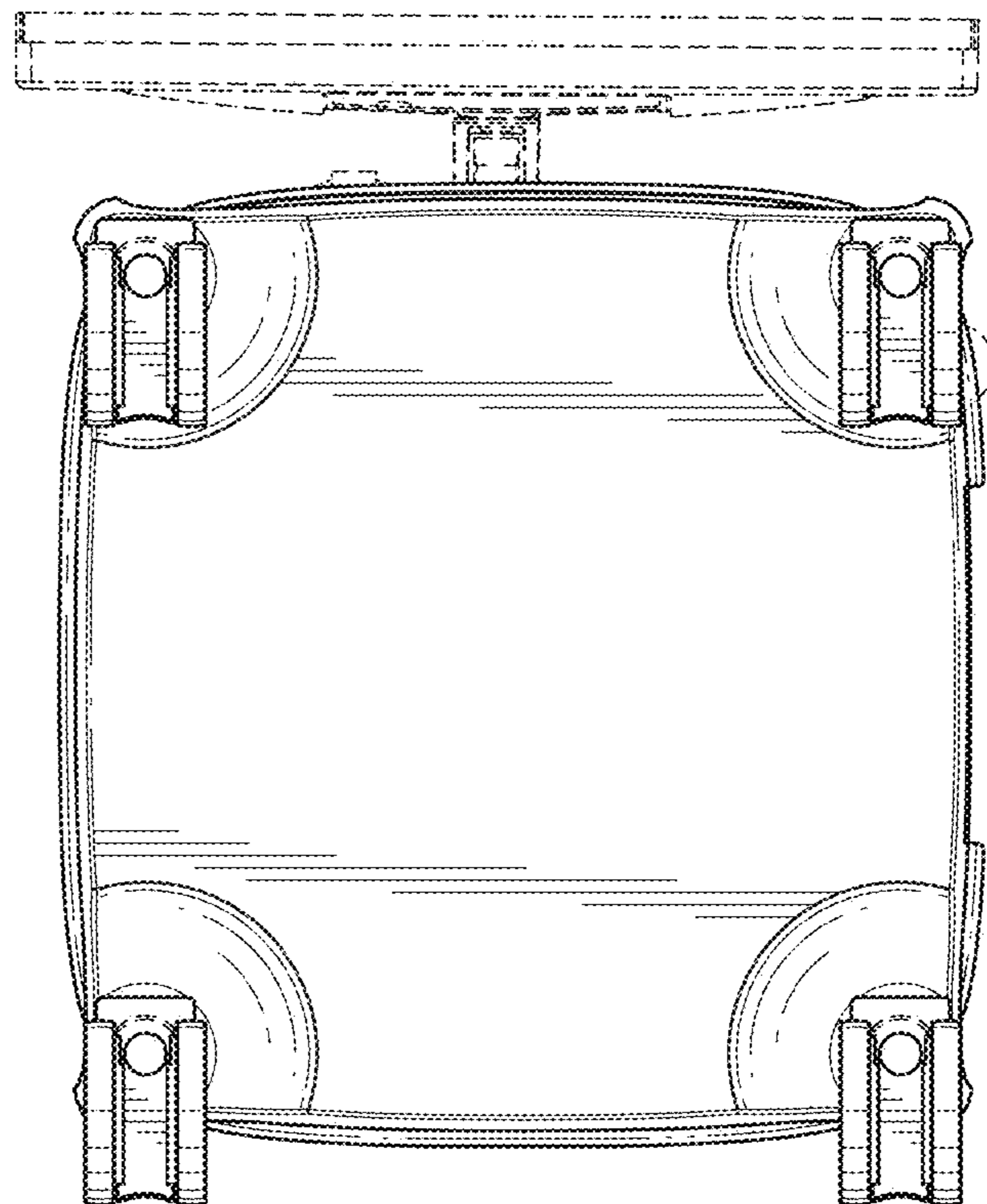


FIG. 7