



US00D924409S

(12) **United States Design Patent**  
**Sanga**

(10) **Patent No.:** **US D924,409 S**

(45) **Date of Patent:** **\*\* Jul. 6, 2021**

(54) **CONTROLLER FOR HANDPIECE**

(71) Applicant: **Nakanishi Inc.**, Kanuma (JP)

(72) Inventor: **Toshinari Sanga**, Kanuma (JP)

(73) Assignee: **Nakanishi Inc.**, Kanuma (JP)

(\*\*) Term: **15 Years**

(21) Appl. No.: **29/718,165**

(22) Filed: **Dec. 20, 2019**

(51) **LOC (13) Cl.** ..... **24-02**

(52) **U.S. Cl.**  
USPC ..... **D24/177**

(58) **Field of Classification Search**  
USPC ..... D24/176-182; D13/162, 184  
CPC ..... A61C 17/20; A61C 17/221; A61C 1/145;  
A61C 1/0015  
See application file for complete search history.

(56) **References Cited**

**U.S. PATENT DOCUMENTS**

D555,244 S \* 11/2007 Nakanishi ..... D24/176  
D618,353 S \* 6/2010 Sanga ..... D24/177  
D631,164 S \* 1/2011 Kagawa ..... D24/177

D663,423 S \* 7/2012 Kagawa ..... D24/177  
D670,392 S \* 11/2012 Kagawa ..... D24/177  
9,072,565 B2 \* 7/2015 Pruckner ..... A61C 1/0015  
D749,741 S \* 2/2016 Sanga ..... D24/177  
D908,888 S \* 1/2021 Takahashi ..... D24/177

\* cited by examiner

*Primary Examiner* — Wan Laymon

(74) *Attorney, Agent, or Firm* — Banner & Witcoff, Ltd.

(57) **CLAIM**

The ornamental design for a controller for handpiece, as shown and described.

**DESCRIPTION**

FIG. 1 is a front perspective view of a controller for handpiece showing my design;  
FIG. 2 is a rear perspective view thereof;  
FIG. 3 is a front view thereof;  
FIG. 4 is a rear view thereof;  
FIG. 5 is a left side view thereof;  
FIG. 6 is a right side view thereof;  
FIG. 7 is a top view thereof; and,  
FIG. 8 is a bottom view thereof.

The broken line shown in the drawings is included for the purpose of illustrating portions of the controller for handpiece and forms no part of the claimed design.

**1 Claim, 8 Drawing Sheets**

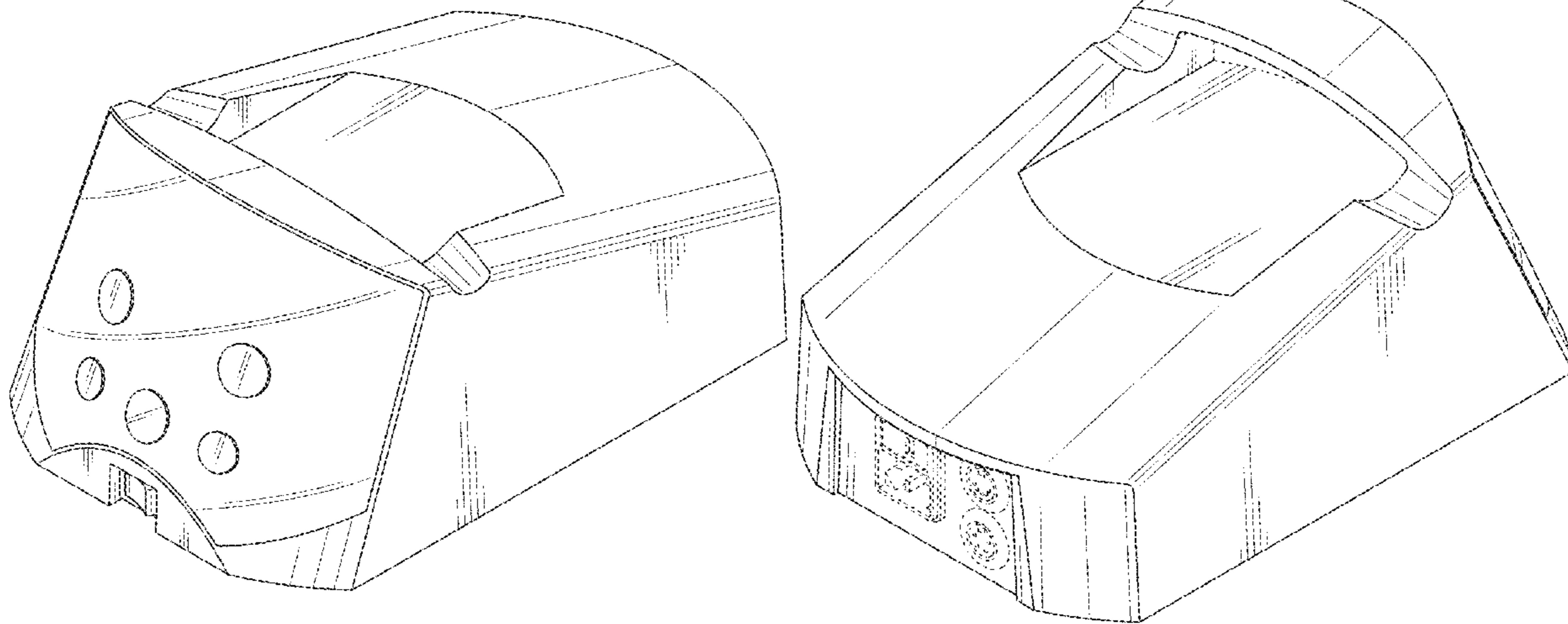


FIG. 1

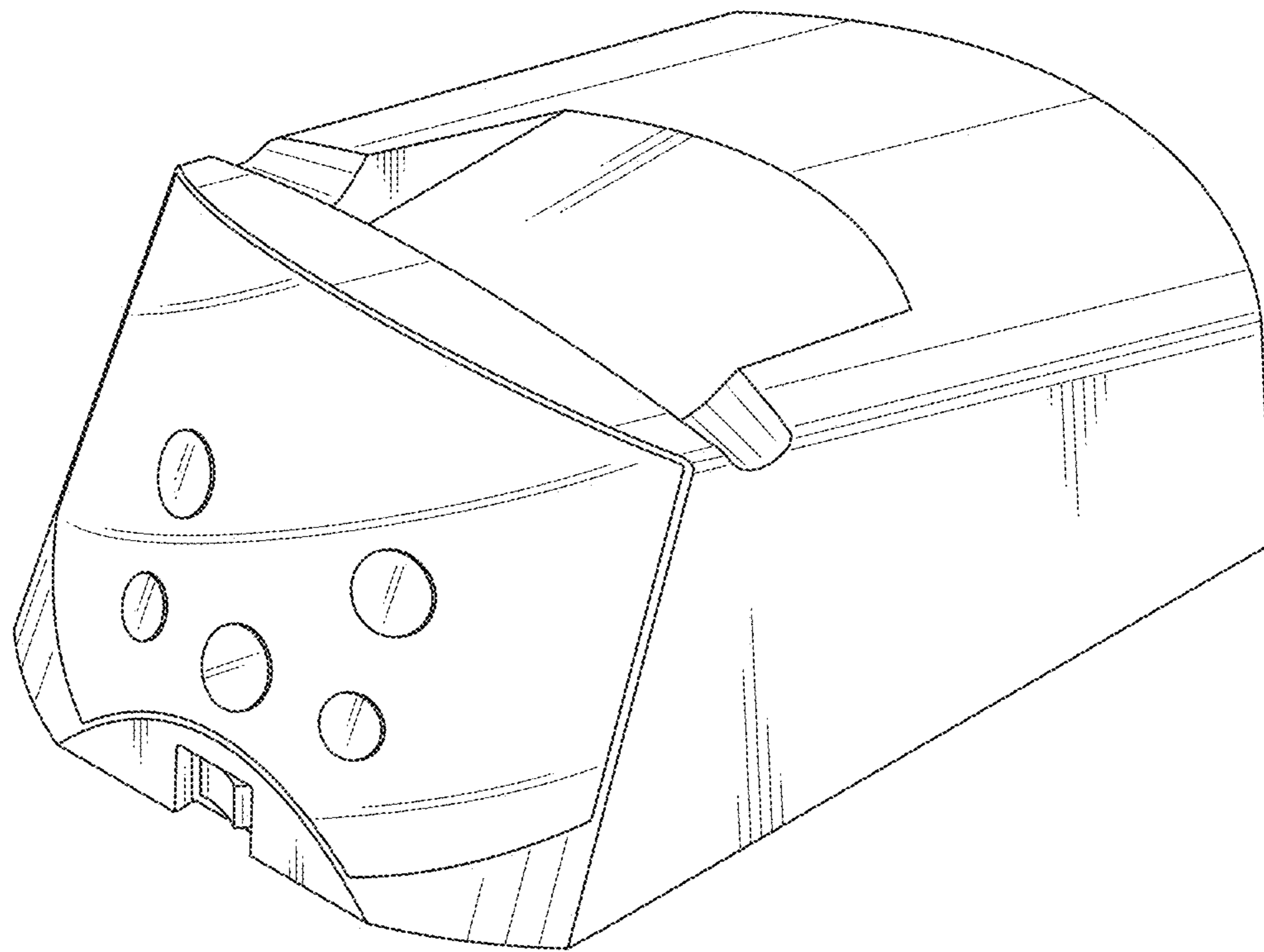


FIG. 2

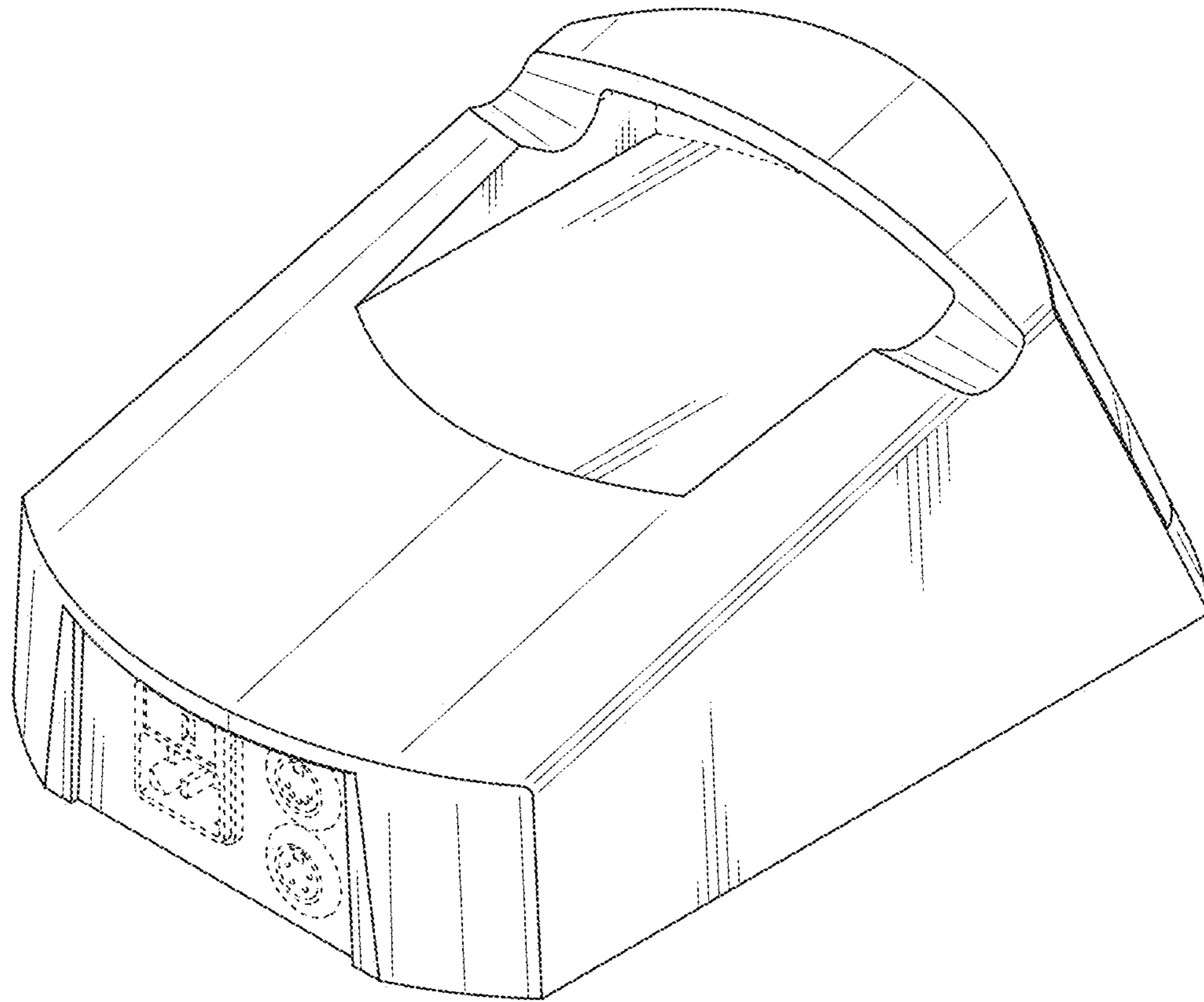


FIG. 3

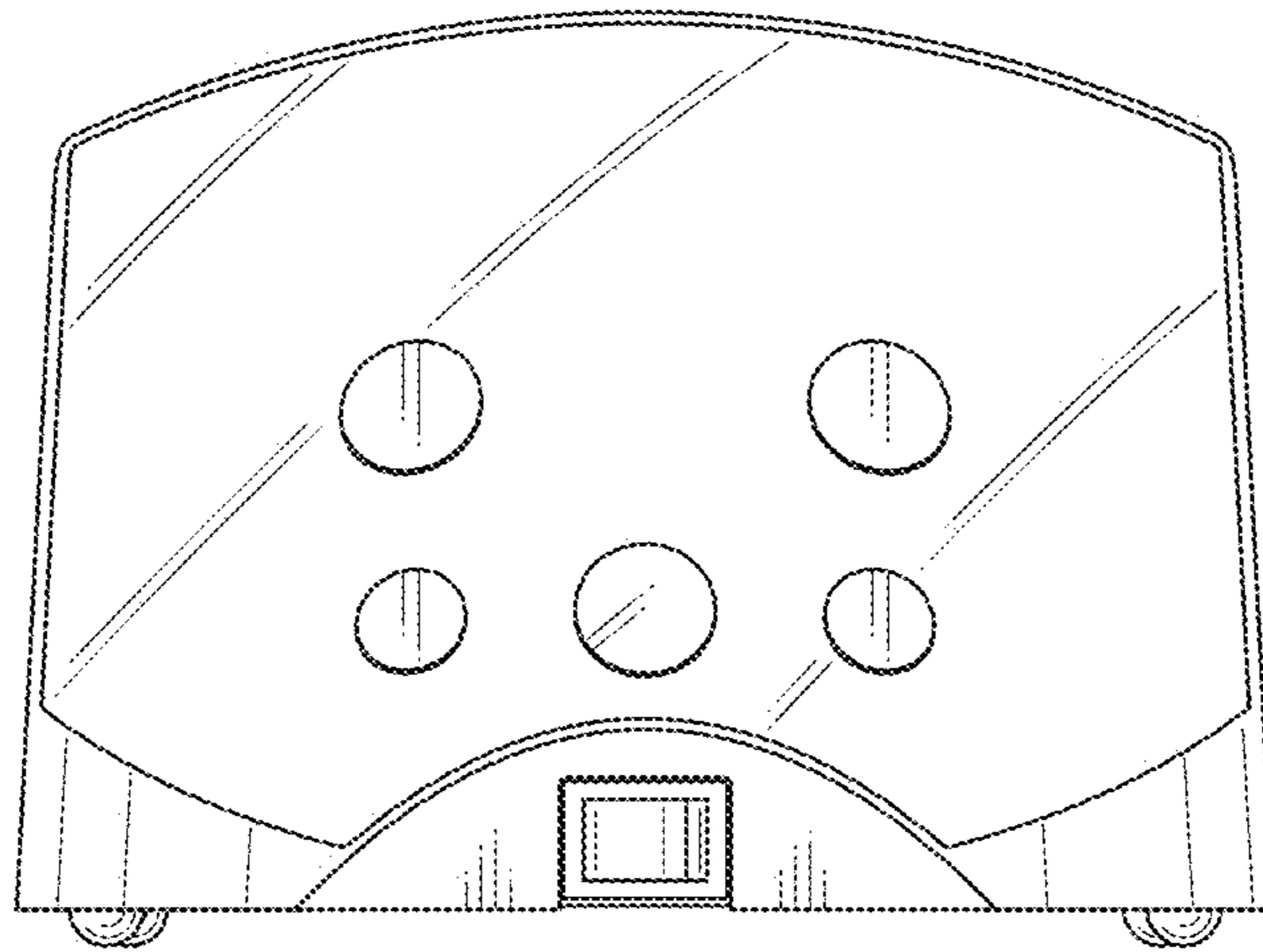


FIG. 4

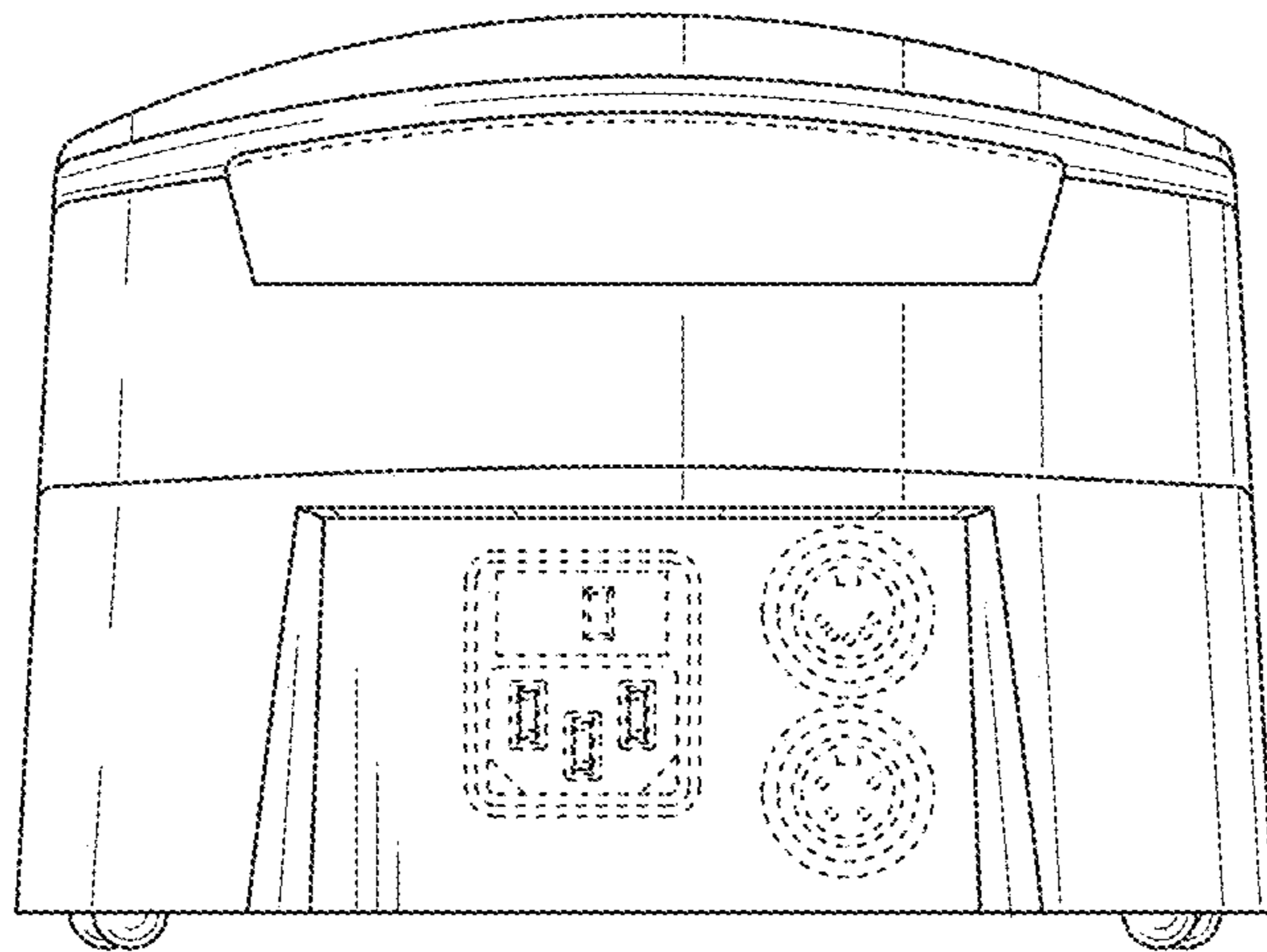


FIG. 5

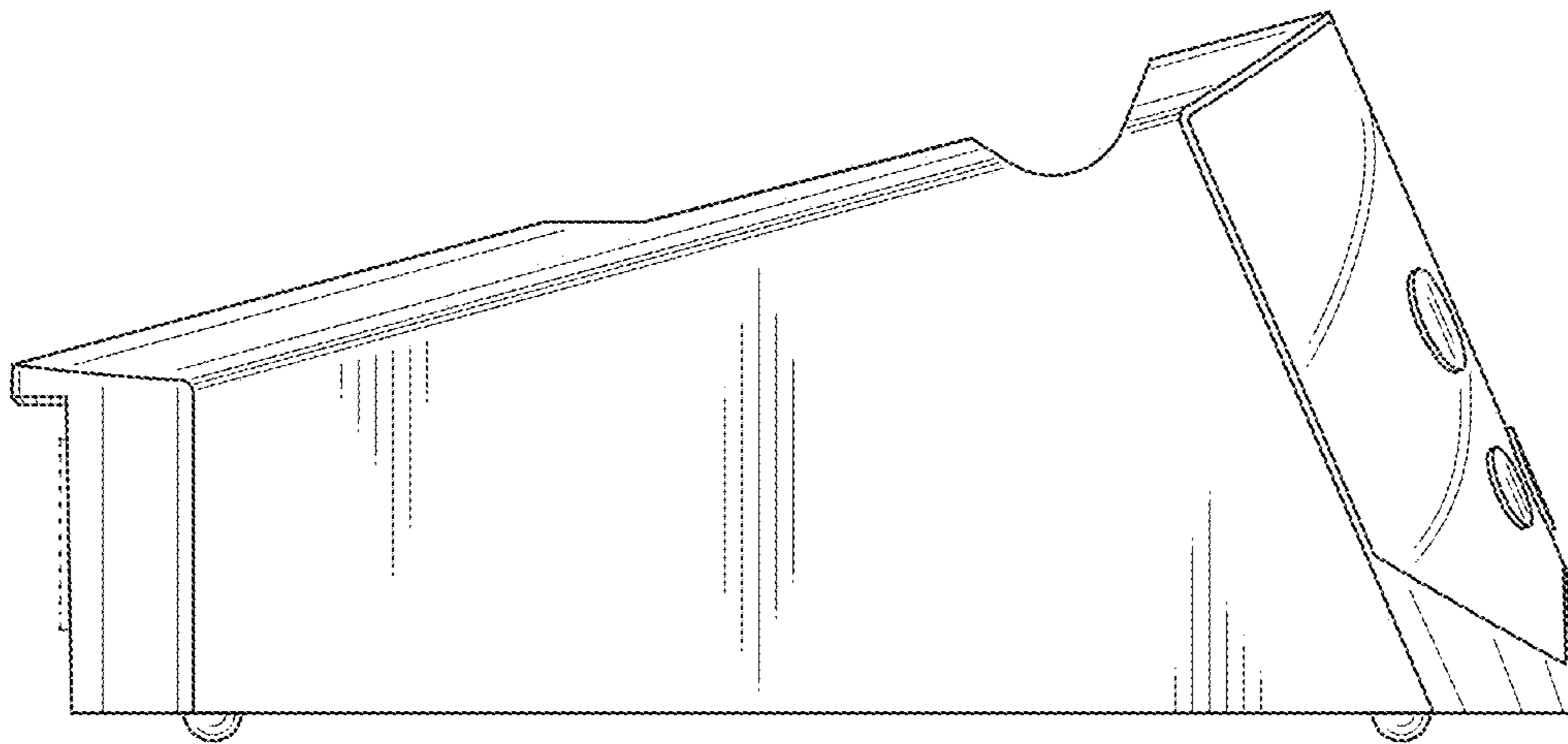


FIG. 6

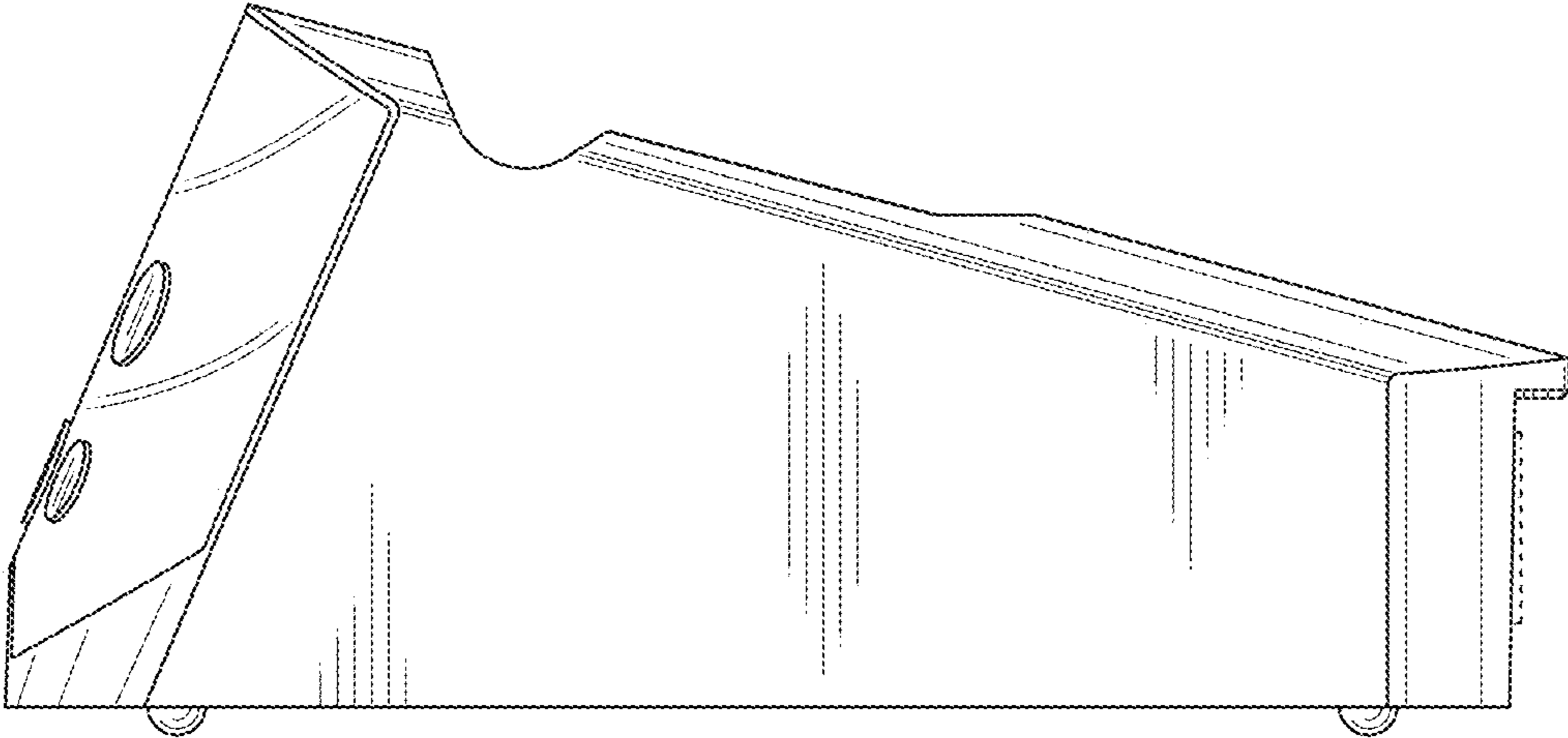




FIG. 7

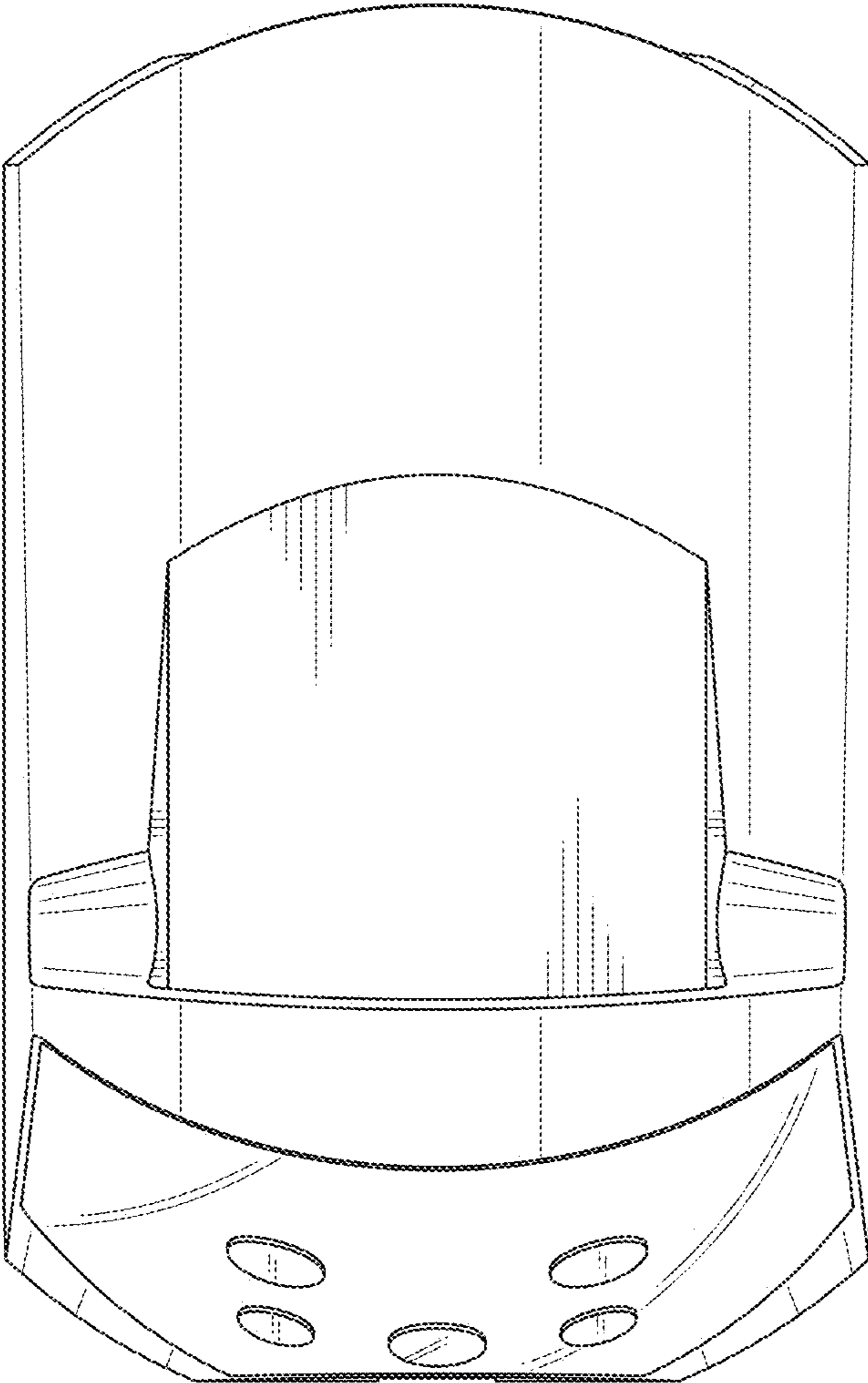




FIG. 8

