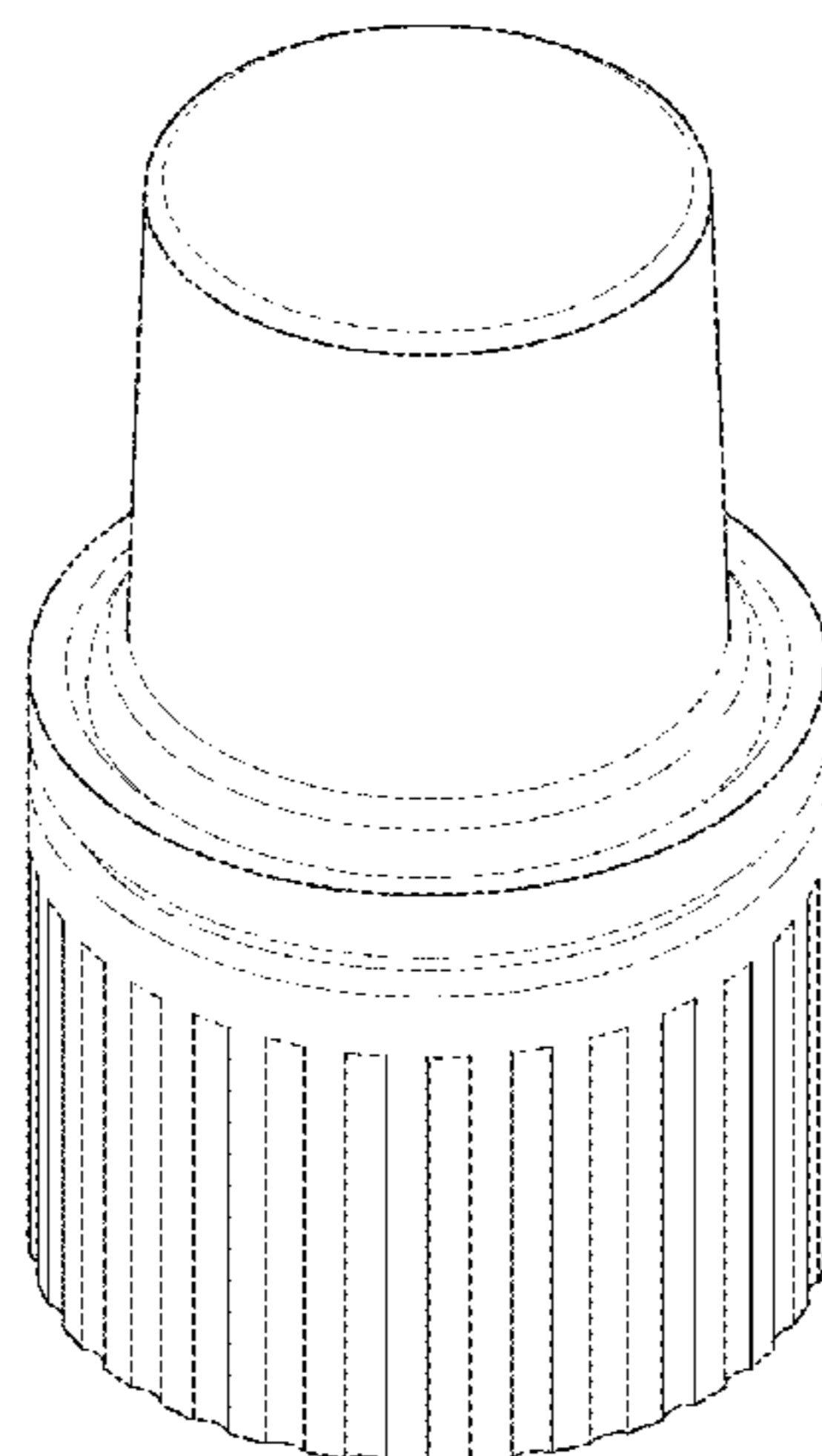




US00D924406S

(12) **United States Design Patent** (10) **Patent No.:** **US D924,406 S**
Yee et al. (45) **Date of Patent:** **** Jul. 6, 2021**

- (54) **ANALYTE SENSOR INSERTER** 3,522,807 A 8/1970 Millenbach
 (71) Applicant: **ABBOTT DIABETES CARE INC.**, 3,581,062 A 5/1971 Aston
 Alameda, CA (US) 3,653,841 A 4/1972 Klein
 3,670,727 A 6/1972 Reiterman
 3,719,564 A 3/1973 Lilly, Jr. et al.
 (72) Inventors: **Phillip Yee**, San Francisco, CA (US); 3,776,832 A 12/1973 Oswin et al.
Christopher A. Thomas, San Leandro, 3,837,339 A 9/1974 Aisenberg et al.
 CA (US); **Manuel L. Donnay**, San 3,926,760 A 12/1975 Allen et al.
 Francisco, CA (US) 3,949,388 A 4/1976 Fuller
 3,972,320 A 8/1976 Kalman
 3,979,274 A 9/1976 Newman
 (73) Assignee: **ABBOTT DIABETES CARE INC.**, 4,008,717 A 2/1977 Kowarski
 Alameda, CA (US) 4,016,866 A 4/1977 Lawton
 4,036,749 A 7/1977 Anderson
 (**) Term: **15 Years** 4,055,175 A 10/1977 Clemens et al.
 4,059,406 A 11/1977 Fleet
 (21) Appl. No.: **29/685,843** 4,076,596 A 2/1978 Connery et al.
 4,098,574 A 7/1978 Dappen
 (22) Filed: **Apr. 1, 2019** 4,100,048 A 7/1978 Pompei et al.
 4,120,292 A 10/1978 LeBlanc, Jr. et al.
 4,129,128 A 12/1978 McFarlane
Related U.S. Application Data 4,151,845 A 5/1979 Clemens
 4,168,205 A 9/1979 Danninger et al.
 (63) Continuation of application No. 15/994,129, filed on 4,172,770 A 10/1979 Semersky et al.
 May 31, 2016, which is a continuation of application 4,178,916 A 12/1979 McNamara
 No. 15/475,647, filed on Mar. 31, 2017, now Pat. No. 4,206,755 A 6/1980 Klein
 9,993,188, which is a continuation of application No. 4,224,125 A 9/1980 Nakamura et al.
 15/192,531, filed on Jun. 24, 2016, now Pat. No. 4,240,438 A 12/1980 Updike et al.
 9,636,068, which is a continuation of application No. 4,245,634 A 1/1981 Albisser et al.
 12/698,129, filed on Feb. 1, 2010, now Pat. No. 4,247,297 A 1/1981 Berti et al.
 9,402,544. 4,294,258 A 10/1981 Bernard
 4,327,725 A 5/1982 Cortese et al.
 (51) **LOC (13) Cl.** **24-01** 4,340,458 A 7/1982 Lerner et al.
 (52) **U.S. Cl.** 4,344,438 A 8/1982 Schultz
 USPC **D24/169**; D24/186 4,349,728 A 9/1982 Phillips et al.
 4,352,960 A 10/1982 Dormer et al.
 (58) **Field of Classification Search** 4,356,074 A 10/1982 Johnson
 USPC D24/164–169, 186, 107, 216, 111, 112, 4,365,637 A 12/1982 Johnson
 D24/114; D10/81 4,366,033 A 12/1982 Richter et al.
 CPC A61B 5/15403; A61B 5/14532; A61B 4,373,527 A 2/1983 Fischell
 5/14865; A61B 2560/0412; A61B 4,375,399 A 3/1983 Havas et al.
 2560/0443; A61B 2560/0462; A61M 4,384,586 A 5/1983 Christiansen
 25/0606; A61M 25/0631; G01N 33/66 4,390,621 A 6/1983 Bauer
 4,401,122 A 8/1983 Clark, Jr.
 See application file for complete search history. 4,404,066 A 9/1983 Johnson
 4,418,148 A 11/1983 Oberhardt
 4,425,920 A 1/1984 Bourland et al.
 (56) **References Cited** 4,427,770 A 1/1984 Chen et al.
 U.S. PATENT DOCUMENTS 4,431,004 A 2/1984 Bessman et al.
 3,123,790 A 3/1964 Tyler 4,436,094 A 3/1984 Cerami
 3,260,656 A 7/1966 Ross, Jr. 4,440,175 A 4/1984 Wilkins
 4,450,842 A 5/1984 Zick et al.
 4,458,686 A 7/1984 Clark, Jr.



US D924,406 S

4,461,691 A	7/1984	Frank	4,894,137 A	1/1990	Takizawa et al.
4,469,110 A	9/1984	Slama	4,895,147 A	1/1990	Bodicky et al.
4,477,314 A	10/1984	Richter et al.	4,897,162 A	1/1990	Lewandowski et al.
4,478,976 A	10/1984	Goertz et al.	4,897,173 A	1/1990	Nankai et al.
4,484,987 A	11/1984	Gough	4,909,908 A	3/1990	Ross et al.
4,494,950 A	1/1985	Fischell	4,911,794 A	3/1990	Parce et al.
4,509,531 A	4/1985	Ward	4,917,800 A	4/1990	Lonsdale et al.
4,522,690 A	6/1985	Venkatasetty	4,919,141 A	4/1990	Zier et al.
4,524,114 A	6/1985	Samuels et al.	4,919,767 A	4/1990	Vadgama et al.
4,526,661 A	7/1985	Steckhan et al.	4,921,199 A	5/1990	Villaveces
4,527,240 A	7/1985	Kvitash	4,923,586 A	5/1990	Katayama et al.
4,534,356 A	8/1985	Papadakis	4,925,268 A	5/1990	Iyer et al.
4,538,616 A	9/1985	Rogoff	4,927,516 A	5/1990	Yamaguchi et al.
4,543,955 A	10/1985	Schroepfel	4,934,369 A	6/1990	Maxwell
4,545,382 A	10/1985	Higgins et al.	4,935,105 A	6/1990	Churchouse
4,552,840 A	11/1985	Riffer	4,935,345 A	6/1990	Guibeau et al.
4,560,534 A	12/1985	Kung et al.	4,938,860 A	7/1990	Wogoman
4,571,292 A	2/1986	Liu et al.	4,944,299 A	7/1990	Silvian
4,573,994 A	3/1986	Fischell et al.	4,950,378 A	8/1990	Nagara
4,581,336 A	4/1986	Malloy et al.	4,953,552 A	9/1990	DeMarzo
4,595,011 A	6/1986	Phillips	4,954,129 A	9/1990	Giuliani et al.
4,619,754 A	10/1986	Niki et al.	4,969,468 A	11/1990	Byers et al.
4,619,793 A	10/1986	Lee	4,970,145 A	11/1990	Bennetto et al.
4,627,445 A	12/1986	Garcia et al.	4,974,929 A	12/1990	Curry
4,627,842 A	12/1986	Katz	4,986,271 A	1/1991	Wilkins
4,627,908 A	12/1986	Miller	4,988,341 A	1/1991	Columbus et al.
4,633,878 A	1/1987	Bombardieri	4,994,167 A	2/1991	Shults et al.
4,637,403 A	1/1987	Garcia et al.	4,995,402 A	2/1991	Smith et al.
4,650,547 A	3/1987	Gough	5,000,180 A	3/1991	Kuypers et al.
4,654,197 A	3/1987	Lilja et al.	5,001,054 A	3/1991	Wagner
4,655,880 A	4/1987	Liu	5,013,161 A	5/1991	Zaragoza et al.
4,655,885 A	4/1987	Hill et al.	5,019,974 A	5/1991	Beckers
4,671,288 A	6/1987	Gough	5,035,860 A	7/1991	Kleingeld et al.
4,679,562 A	7/1987	Luksha	5,036,860 A	8/1991	Leigh et al.
4,680,268 A	7/1987	Clark, Jr.	5,047,044 A	9/1991	Smith et al.
4,682,602 A	7/1987	Prohaska	5,050,612 A	9/1991	Matsumura
4,684,537 A	8/1987	Graetzel et al.	5,055,171 A	10/1991	Peck
4,685,463 A	8/1987	Williams	5,058,592 A	10/1991	Whisler
4,685,466 A	8/1987	Rau	5,070,535 A	12/1991	Hochmair et al.
4,698,057 A	10/1987	Joishy	5,082,550 A	1/1992	Rishpon et al.
4,703,756 A	11/1987	Gough et al.	5,082,786 A	1/1992	Nakamoto
4,711,245 A	12/1987	Higgins et al.	5,089,112 A	2/1992	Skotheim et al.
4,711,247 A	12/1987	Fishman	5,095,904 A	3/1992	Seligman et al.
4,717,673 A	1/1988	Wrighton et al.	5,101,814 A	4/1992	Palti
4,721,601 A	1/1988	Wrighton et al.	5,106,365 A	4/1992	Hernandez
4,721,677 A	1/1988	Clark, Jr.	5,108,564 A	4/1992	Szuminsky et al.
4,726,378 A	2/1988	Kaplan	5,108,889 A	4/1992	Smith et al.
4,726,716 A	2/1988	McGuire	5,109,850 A	5/1992	Blanco et al.
4,729,672 A	3/1988	Takagi	5,120,420 A	6/1992	Nankai et al.
4,731,726 A	3/1988	Allen, III	5,122,925 A	6/1992	Inpyun
4,749,985 A	6/1988	Corsberg	5,126,034 A	6/1992	Carter et al.
4,755,173 A	7/1988	Konopka	5,133,856 A	7/1992	Yamaguchi et al.
4,757,022 A	7/1988	Shults et al.	5,135,003 A	8/1992	Souma
4,758,323 A	7/1988	Davis et al.	5,140,985 A	8/1992	Schroeder et al.
4,759,371 A	7/1988	Franetzki	5,141,868 A	8/1992	Shanks et al.
4,759,828 A	7/1988	Young et al.	5,161,532 A	11/1992	Joseph
4,764,416 A	8/1988	Ueyama et al.	5,165,407 A	11/1992	Wilson et al.
4,776,944 A	10/1988	Janata et al.	5,174,291 A	12/1992	Schoonen et al.
4,777,953 A	10/1988	Ash et al.	5,190,041 A	3/1993	Palti
4,779,618 A	10/1988	Mund et al.	5,192,416 A	3/1993	Wang et al.
4,781,798 A	11/1988	Gough	5,198,367 A	3/1993	Aizawa et al.
4,784,736 A	11/1988	Lonsdale et al.	5,202,261 A	4/1993	Musho et al.
4,795,707 A	1/1989	Niiyama et al.	5,205,920 A	4/1993	Oyama et al.
4,796,634 A	1/1989	Huntsman et al.	5,208,154 A	5/1993	Weaver et al.
4,805,624 A	2/1989	Yao et al.	5,209,229 A	5/1993	Gilli
4,813,424 A	3/1989	Wilkins	5,217,595 A	6/1993	Smith et al.
4,815,469 A	3/1989	Cohen et al.	5,229,282 A	7/1993	Yoshioka et al.
4,820,399 A	4/1989	Senda et al.	5,234,835 A	8/1993	Nestor et al.
4,822,337 A	4/1989	Newhouse et al.	5,238,729 A	8/1993	Debe
4,830,959 A	5/1989	McNeil et al.	5,246,867 A	9/1993	Lakowicz et al.
4,832,797 A	5/1989	Vadgama et al.	5,250,439 A	10/1993	Musho et al.
RE32,947 E	6/1989	Dormer et al.	5,262,035 A	11/1993	Gregg et al.
4,840,893 A	6/1989	Hill et al.	5,262,305 A	11/1993	Heller et al.
4,848,351 A	7/1989	Finch	5,264,103 A	11/1993	Yoshioka et al.
4,854,322 A	8/1989	Ash et al.	5,264,104 A	11/1993	Gregg et al.
4,871,351 A	10/1989	Feingold	5,264,105 A	11/1993	Gregg et al.
4,871,440 A	10/1989	Nagata et al.	5,264,106 A	11/1993	McAleer et al.
4,874,500 A	10/1989	Madou et al.	5,271,815 A	12/1993	Wong
4,890,620 A	1/1990	Gough	5,279,294 A	1/1994	Anderson

US D924,406 S

5,284,156 A	2/1994	Schramm et al.		5,682,233 A	10/1997	Brinda
5,285,792 A	2/1994	Sjoquist et al.		5,695,623 A	12/1997	Michel et al.
5,286,362 A	2/1994	Hoenes et al.		5,708,247 A	1/1998	McAleer et al.
5,286,364 A	2/1994	Yacynych et al.		5,711,001 A	1/1998	Bussan et al.
5,288,636 A	2/1994	Pollmann et al.		5,711,297 A	1/1998	Iloff
5,293,546 A	3/1994	Tadros et al.		5,711,861 A	1/1998	Ward et al.
5,293,877 A	3/1994	O'Hara et al.		5,711,862 A	1/1998	Sakoda et al.
5,299,571 A	4/1994	Mastrototaro		5,733,044 A	3/1998	Rose et al.
5,320,098 A	6/1994	Davidson		5,749,656 A	3/1998	Boehm et al.
5,320,725 A	6/1994	Gregg et al.		5,735,285 A	4/1998	Albert et al.
5,322,063 A	6/1994	Allen et al.		5,741,211 A	4/1998	Renirie et al.
5,337,747 A	8/1994	Neftel		5,766,131 A	6/1998	Kondo et al.
5,340,722 A	8/1994	Wolfbeis et al.		5,771,001 A	6/1998	Cobb
5,342,789 A	8/1994	Chick et al.		5,772,586 A	6/1998	Heinonen et al.
5,352,348 A	10/1994	Young et al.		5,779,665 A	7/1998	Mastrototaro et al.
5,356,786 A	10/1994	Heller et al.		5,791,344 A	8/1998	Schulman et al.
5,360,404 A	11/1994	Novacek et al.		5,800,420 A	9/1998	Gross et al.
5,368,028 A	11/1994	Palti		5,807,375 A	9/1998	Gross et al.
5,372,133 A	12/1994	Hogen Esch		5,814,020 A	9/1998	Gross
5,372,427 A	12/1994	Padovani et al.		5,820,551 A	10/1998	Hill et al.
5,376,251 A	12/1994	Kaneko et al.		5,820,622 A	10/1998	Gross et al.
5,378,628 A	1/1995	Gratzel et al.		5,822,715 A	10/1998	Worthington et al.
5,379,238 A	1/1995	Stark		5,827,184 A	10/1998	Netherly et al.
5,387,327 A	2/1995	Khan		5,840,020 A	11/1998	Heinonen et al.
5,390,671 A	2/1995	Lord et al.		5,842,983 A	12/1998	Abel et al.
5,391,250 A	2/1995	Cheney, II et al.		5,851,197 A	12/1998	Marano et al.
5,395,504 A	3/1995	Saurer et al.		5,858,001 A	1/1999	Tsals et al.
5,400,782 A	3/1995	Beaubiah		5,865,804 A	2/1999	Bachynsky
5,408,999 A	4/1995	Singh et al.		5,885,211 A	3/1999	Eppstein et al.
5,411,647 A	5/1995	Johnson et al.		5,899,855 A	5/1999	Brown
5,425,361 A	6/1995	Fenzlein et al.		5,924,979 A	7/1999	Sedlow et al.
5,431,160 A	7/1995	Wilkins		5,925,021 A	7/1999	Castellano et al.
5,431,921 A	7/1995	Thombre		5,931,814 A	8/1999	Alex et al.
5,437,999 A	8/1995	Diebold et al.		5,948,006 A	9/1999	Mann
5,462,645 A	10/1995	Albery et al.		5,951,521 A	9/1999	Mastrototaro et al.
5,469,846 A	11/1995	Khan		5,954,643 A	9/1999	Van Antwerp
5,472,317 A	12/1995	Field et al.		5,954,685 A	9/1999	Tierny
5,489,414 A	2/1996	Schreiber et al.		5,957,854 A	9/1999	Besson et al.
5,491,474 A	2/1996	Suni et al.		5,961,451 A	10/1999	Reber et al.
5,494,562 A	2/1996	Maley et al.		5,964,993 A	10/1999	Blubaugh, Jr. et al.
5,496,453 A	3/1996	Uenoyama et al.		5,965,380 A	10/1999	Heller et al.
5,497,772 A	3/1996	Schulman et al.		5,971,922 A	10/1999	Arita et al.
5,506,458 A *	4/1996	Pace	G11B 19/2009 310/216.011	5,972,199 A	10/1999	Heller et al.
5,507,288 A	4/1996	Bocker et al.		5,987,353 A	11/1999	Khatchatrian et al.
5,509,410 A	4/1996	Hill et al.		5,993,411 A	11/1999	Choi
5,514,718 A	5/1996	Lewis et al.		5,995,860 A	11/1999	Sun et al.
5,527,288 A	6/1996	Gross et al.		5,997,501 A	12/1999	Gross et al.
5,531,878 A	7/1996	Vadgama et al.		6,001,067 A	12/1999	Shults et al.
5,545,191 A	8/1996	Mann et al.		6,004,278 A	12/1999	Botich et al.
5,549,568 A	8/1996	Sheilds		6,022,368 A	2/2000	Gavronsky et al.
5,551,427 A	9/1996	Altman		6,024,699 A	2/2000	Surwit et al.
5,560,357 A	10/1996	Faupei et al.		6,026,321 A	2/2000	Miyata et al.
5,562,713 A	10/1996	Silvian		6,027,459 A	2/2000	Shain et al.
5,565,085 A	10/1996	Ikeda et al.		6,049,727 A	4/2000	Crothall
5,567,302 A	10/1996	Song et al.		6,056,718 A	5/2000	Funderburk et al.
5,568,806 A	10/1996	Cheney, II et al.		6,068,399 A	5/2000	Tseng
5,569,186 A	10/1996	Lord et al.		6,083,710 A	7/2000	Heller et al.
5,575,563 A	11/1996	Chiu et al.		6,088,608 A	7/2000	Schulman et al.
5,582,184 A	12/1996	Erickson et al.		6,091,975 A	7/2000	Daddona et al.
5,582,697 A	12/1996	Ikeda et al.		6,091,976 A	7/2000	Pfeiffer et al.
5,582,698 A	12/1996	Flaherty et al.		6,093,172 A	7/2000	Funderburk et al.
5,584,813 A	12/1996	Livingston et al.		6,102,896 A	8/2000	Roser
5,586,553 A	12/1996	Halli et al.		6,103,033 A	8/2000	Say et al.
5,589,326 A	12/1996	Deng et al.		6,117,290 A	9/2000	Say et al.
5,593,852 A	1/1997	Heller et al.		6,119,028 A	9/2000	Schulman et al.
5,596,150 A	1/1997	Arndt et al.		6,120,676 A	9/2000	Heller et al.
5,601,435 A	2/1997	Quy		6,121,009 A	9/2000	Heller et al.
5,609,575 A	3/1997	Larson et al.		6,121,611 A	9/2000	Lindsay et al.
5,617,851 A	4/1997	Lipkovker		6,122,351 A	9/2000	Schlueter, Jr. et al.
5,628,310 A	5/1997	Rao et al.		6,134,461 A	10/2000	Say et al.
5,628,890 A	5/1997	Carter et al.		6,143,164 A	11/2000	Heller et al.
5,632,557 A	5/1997	Simons		6,159,147 A	12/2000	Lichter et al.
5,651,869 A	7/1997	Yoshioka et al.		6,162,611 A	12/2000	Heller et al.
5,653,239 A	8/1997	Pompei et al.		6,175,752 B1	1/2001	Say et al.
5,660,163 A	8/1997	Schulman et al.		6,186,982 B1	2/2001	Gross et al.
5,665,222 A	9/1997	Heller et al.		6,200,265 B1	3/2001	Walsh et al.
5,670,031 A	9/1997	Hintsche et al.		6,212,416 B1	4/2001	Ward et al.
5,680,858 A	10/1997	Hansen et al.		6,219,574 B1	4/2001	Cormier et al.
				6,248,067 B1	6/2001	Causey, III et al.

US D924,406 S

6,254,536	B1	7/2001	DeVito	6,811,533	B2	11/2004	Lebel et al.
6,254,586	B1	7/2001	Mann et al.	6,811,534	B2	11/2004	Bowman, IV et al.
6,275,717	B1	8/2001	Gross et al.	6,813,519	B2	11/2004	Lebel et al.
6,283,761	B1	9/2001	Joao	6,830,551	B1	12/2004	Uchigaki et al.
6,283,982	B1	9/2001	Levaughn et al.	6,837,858	B2	1/2005	Cunningham et al.
6,284,478	B1	9/2001	Heller et al.	6,837,988	B2	1/2005	Leong et al.
6,293,925	B1	9/2001	Safabash et al.	6,849,052	B2	2/2005	Ughigaki et al.
6,295,506	B1	9/2001	Heinonen et al.	6,854,882	B2	2/2005	Chen
6,306,104	B1	10/2001	Cunningham et al.	6,862,465	B2	3/2005	Shults et al.
6,309,884	B1	10/2001	Cooper et al.	6,873,268	B2	3/2005	Lebel et al.
6,329,161	B1	12/2001	Heller et al.	6,881,551	B2	4/2005	Heller et al.
6,331,244	B1	12/2001	Lewis et al.	6,892,085	B2	5/2005	McIvor et al.
6,338,790	B1	1/2002	Feldman et al.	6,895,265	B2	5/2005	Silver
6,348,640	B1	2/2002	Navot et al.	6,931,327	B2	8/2005	Goode, Jr. et al.
6,359,444	B1	3/2002	Grimes	6,932,894	B2	8/2005	Mao et al.
6,360,888	B1	3/2002	McIvor et al.	6,936,006	B2	8/2005	Sabra
6,366,794	B1	4/2002	Moussy et al.	6,942,518	B2	9/2005	Liamos et al.
6,368,141	B1	4/2002	Van Antwerp et al.	6,950,708	B2	9/2005	Bowman, IV et al.
6,368,274	B1	4/2002	Van Antwerp et al.	6,958,705	B2	10/2005	Lebel et al.
6,377,828	B1	4/2002	Chaiken et al.	6,959,211	B2	10/2005	Rule et al.
6,379,301	B1	4/2002	Worthington et al.	6,968,294	B2	11/2005	Gutta et al.
6,409,740	B1	6/2002	Kuhr et al.	6,971,274	B2	12/2005	Olin
6,418,332	B1	7/2002	Mastrototaro et al.	6,971,999	B2	12/2005	Py et al.
6,424,847	B1	7/2002	Mastrototaro et al.	6,974,437	B2	12/2005	Lebel et al.
6,427,088	B1	7/2002	Bowman, IV et al.	6,990,366	B2	1/2006	Say et al.
6,437,679	B1	8/2002	Rogues	6,997,907	B2	2/2006	Safabash et al.
6,440,068	B1	8/2002	Brown et al.	6,998,247	B2	2/2006	Monfre et al.
6,445,374	B2	9/2002	Albert et al.	7,003,336	B2	2/2006	Holker et al.
6,478,736	B1	11/2002	Mault	7,003,340	B2	2/2006	Say et al.
6,482,176	B1	11/2002	Wich	7,003,341	B2	2/2006	Say et al.
6,484,045	B1	11/2002	Holker et al.	7,024,245	B2	4/2006	Lebel et al.
6,484,046	B1	11/2002	Say et al.	7,025,743	B2	4/2006	Mann et al.
6,514,718	B2	2/2003	Heller et al.	7,041,068	B2	5/2006	Freeman et al.
6,520,326	B2	2/2003	McIvor et al.	7,041,468	B2	5/2006	Drucker et al.
6,522,927	B1	2/2003	Bishay et al.	7,052,483	B2	5/2006	Wojcik
6,551,494	B1	4/2003	Heller et al.	7,056,302	B2	6/2006	Douglas
6,554,798	B1	4/2003	Mann et al.	7,074,307	B2	7/2006	Simpson et al.
6,558,320	B1	5/2003	Causey, III et al.	7,081,195	B2	7/2006	Simpson et al.
6,558,321	B1	5/2003	Burd et al.	7,097,637	B2	8/2006	Triplett et al.
6,560,471	B1	5/2003	Heller et al.	7,098,803	B2	8/2006	Mann et al.
6,561,978	B1	5/2003	Conn et al.	7,108,778	B2	9/2006	Simpson et al.
6,562,001	B2	5/2003	Lebel et al.	7,110,803	B2	9/2006	Shults et al.
6,564,105	B2	5/2003	Starkweather et al.	7,113,821	B1	9/2006	Sun et al.
6,565,509	B1	5/2003	Say et al.	7,134,999	B2	11/2006	Brauker et al.
6,571,128	B2	5/2003	Lebel et al.	7,136,689	B2	11/2006	Shults et al.
6,572,566	B2	6/2003	Effenhauser	7,171,274	B2	1/2007	Starkweather et al.
6,576,101	B1	6/2003	Heller et al.	7,190,988	B2	3/2007	Say et al.
6,577,899	B2	6/2003	Lebel et al.	7,192,450	B2	3/2007	Brauker et al.
6,579,690	B1	6/2003	Bonnecaze et al.	7,198,606	B2	4/2007	Boecker et al.
6,585,644	B2	7/2003	Lebel et al.	7,207,974	B2	4/2007	Safabash et al.
6,589,229	B1	7/2003	Connelly et al.	7,226,978	B2	6/2007	Tapsak et al.
6,591,125	B1	7/2003	Buse et al.	7,276,029	B2	10/2007	Goode, Jr. et al.
6,595,919	B2	7/2003	Berner et al.	7,278,983	B2	10/2007	Ireland et al.
6,605,200	B1	8/2003	Mao et al.	7,297,151	B2	11/2007	Boecker et al.
6,605,201	B1	8/2003	Mao et al.	7,299,082	B2	11/2007	Feldman et al.
6,607,509	B2	8/2003	Bobroff et al.	7,310,544	B2	12/2007	Brister et al.
6,610,012	B2	8/2003	Mault	7,318,816	B2	1/2008	Bobroff et al.
6,633,772	B2	10/2003	Ford et al.	7,324,012	B2	1/2008	Mann et al.
6,635,014	B2	10/2003	Starkweather et al.	7,329,239	B2	2/2008	Safabash et al.
6,648,821	B2	11/2003	Lebel et al.	7,335,294	B2	2/2008	Heller et al.
6,654,625	B1	11/2003	Say et al.	7,340,309	B2	3/2008	Miazga et al.
6,659,948	B2	12/2003	Lebel et al.	7,354,420	B2	4/2008	Steil et al.
6,668,196	B1	12/2003	Villegas et al.	7,364,592	B2	4/2008	Carr-Brendel et al.
6,676,290	B1	1/2004	Lu	7,366,556	B2	4/2008	Brister et al.
6,687,546	B2	2/2004	Lebel et al.	7,379,765	B2	5/2008	Petisce et al.
6,689,056	B1	2/2004	Kilcoyne et al.	7,381,184	B2	6/2008	Funderburk et al.
6,694,191	B2	2/2004	Starkweather et al.	7,402,153	B2	7/2008	Steil et al.
6,695,860	B1	2/2004	Ward et al.	7,407,493	B2	8/2008	Cane
6,699,188	B2	3/2004	Wessel	7,416,541	B2	8/2008	Yuzhakov et al.
6,702,857	B2	3/2004	Brauker et al.	7,424,318	B2	9/2008	Brister et al.
6,733,446	B2	5/2004	Lebel et al.	7,455,663	B2	11/2008	Bikovsky
6,740,075	B2	5/2004	Lebel et al.	7,460,898	B2	12/2008	Brister et al.
6,741,877	B1	5/2004	Shults et al.	7,467,003	B2	12/2008	Brister et al.
6,746,582	B2	6/2004	Heller et al.	7,471,972	B2	12/2008	Rhodes et al.
6,758,810	B2	7/2004	Lebel et al.	7,494,465	B2	2/2009	Brister et al.
6,770,030	B1	8/2004	Schaupp et al.	7,497,827	B2	3/2009	Brister et al.
6,790,178	B1	9/2004	Mault et al.	7,519,408	B2	4/2009	Rasdal et al.
6,809,653	B1	10/2004	Mann et al.	7,583,990	B2	9/2009	Goode, Jr. et al.
6,810,290	B2	10/2004	Lebel et al.	7,591,801	B2	9/2009	Brauker et al.

US D924,406 S

7,599,726	B2	10/2009	Goode, Jr. et al.	2003/0225361	A1	12/2003	Sabra
7,604,592	B2	10/2009	Freeman et al.	2004/0002682	A1	1/2004	Kovelman et al.
7,613,491	B2	11/2009	Boock et al.	2004/0010207	A1	1/2004	Flaherty et al.
7,615,007	B2	11/2009	Shults et al.	2004/0011671	A1	1/2004	Shults et al.
7,632,228	B2	12/2009	Brauker et al.	2004/0040840	A1	3/2004	Mao et al.
7,637,868	B2	12/2009	Saint et al.	2004/0045879	A1	3/2004	Shults et al.
7,640,048	B2	12/2009	Dobbles et al.	2004/0054263	A1	3/2004	Moerman et al.
7,651,596	B2	1/2010	Petisce et al.	2004/0064068	A1	4/2004	DeNuzzio et al.
7,654,956	B2	2/2010	Brister et al.	2004/0064133	A1	4/2004	Miller et al.
7,657,297	B2	2/2010	Simpson et al.	2004/0096959	A1	5/2004	Steine et al.
7,666,149	B2	2/2010	Simons et al.	2004/0106858	A1	6/2004	Say et al.
7,697,967	B2	4/2010	Stafford	2004/0106859	A1	6/2004	Say et al.
7,699,807	B2	4/2010	Faust et al.	2004/0116847	A1	6/2004	Wall
7,711,402	B2	5/2010	Shults et al.	2004/0122353	A1	6/2004	Shahmirian et al.
7,713,574	B2	5/2010	Brister et al.	2004/0122489	A1	6/2004	Mazar et al.
7,715,893	B2	5/2010	Kamath et al.	2004/0116866	A1	7/2004	Gorman et al.
D618,337	S *	6/2010	Pratt D24/111	2004/0133164	A1	7/2004	Funderburk et al.
7,727,147	B1	6/2010	Osorio et al.	2004/0135684	A1	7/2004	Steinthal et al.
7,731,657	B2	6/2010	Stafford	2004/0138544	A1	7/2004	Ward et al.
7,736,344	B2	6/2010	Moberg et al.	2004/0138588	A1	7/2004	Saikley et al.
7,763,042	B2	7/2010	Iio et al.	2004/0138688	A1	7/2004	Giraud
7,822,454	B1	10/2010	Alden et al.	2004/0147996	A1	7/2004	Miazga et al.
7,850,652	B2	12/2010	Liniger et al.	2004/0152622	A1	8/2004	Keith et al.
7,896,844	B2	3/2011	Thalmann et al.	2004/0158207	A1	8/2004	Nunn et al.
7,955,297	B2	6/2011	Radmer et al.	2004/0167801	A1	8/2004	Say et al.
7,985,203	B2	7/2011	Haueter et al.	2004/0171910	A1	8/2004	Moore-Steele
8,172,805	B2	5/2012	Mogensen et al.	2004/0171921	A1	9/2004	Say et al.
8,262,618	B2	9/2012	Scheurer	2004/0176672	A1	9/2004	Silver et al.
8,409,145	B2	4/2013	Raymond et al.	2004/0186362	A1	9/2004	Brauker et al.
D691,710	S *	10/2013	White D24/107	2004/0186365	A1	9/2004	Jin et al.
D694,397	S *	11/2013	White D24/108	2004/0193090	A1	9/2004	Lebel et al.
8,870,822	B2	10/2014	Thalmann et al.	2004/0199059	A1	10/2004	Brauker et al.
8,880,138	B2	11/2014	Cho	2004/0204687	A1	10/2004	Mogensen et al.
9,295,786	B2	3/2016	Gottlieb et al.	2004/0223985	A1	11/2004	Dunfield et al.
9,402,544	B2 *	8/2016	Yee A61B 5/14532	2004/0225338	A1	11/2004	Lebel et al.
2001/0056262	A1	12/2001	Cabin et al.	2004/0236200	A1	11/2004	Say et al.
2002/0013538	A1	1/2002	Teller	2004/0236251	A1	11/2004	Roe et al.
2002/0019022	A1	2/2002	Dunn et al.	2004/0254433	A1	12/2004	Bandis et al.
2002/0019606	A1	2/2002	Lebel et al.	2004/0254434	A1	12/2004	Goodnow et al.
2002/0022855	A1	2/2002	Bobroff et al.	2004/0267300	A1	12/2004	Mace
2002/0023852	A1	2/2002	Mcivor et al.	2005/0003470	A1	1/2005	Nelson et al.
2002/0042090	A1	4/2002	Heller et al.	2005/0004494	A1	1/2005	Perez et al.
2002/0055711	A1	5/2002	Lavi et al.	2005/0010269	A1	1/2005	Lebel et al.
2002/0082487	A1	6/2002	Kollias et al.	2005/0027177	A1	2/2005	Shin et al.
2002/0103499	A1	8/2002	Perez et al.	2005/0027180	A1	2/2005	Goode, Jr. et al.
2002/0106709	A1	8/2002	Potts et al.	2005/0031689	A1	2/2005	Shults et al.
2002/0119711	A1	8/2002	VanAntwerp et al.	2005/0043598	A1	2/2005	Goode, Jr. et al.
2002/0128594	A1	9/2002	Das et al.	2005/0070819	A1	3/2005	Poux et al.
2002/0130042	A1	9/2002	Moerman et al.	2005/0085872	A1	4/2005	Yanagihara et al.
2002/0154050	A1	10/2002	Krupp et al.	2005/0090607	A1	4/2005	Tapsak et al.
2002/0161288	A1	10/2002	Shin et al.	2005/0090850	A1	4/2005	Thoes et al.
2002/0165462	A1	11/2002	Westbrook et al.	2005/0106713	A1	5/2005	Phan et al.
2002/0169369	A1	11/2002	Ward et al.	2005/0112169	A1	5/2005	Brauker et al.
2002/0198444	A1	12/2002	Ughigaki et al.	2005/0114068	A1	5/2005	Chey et al.
2003/0023317	A1	1/2003	Brauker et al.	2005/0121322	A1	6/2005	Say et al.
2003/0023461	A1	1/2003	Quintanilla et al.	2005/0131346	A1	6/2005	Douglas
2003/0032867	A1	2/2003	Crothall et al.	2005/0143635	A1	6/2005	Kamath et al.
2003/0032874	A1	2/2003	Rhodes et al.	2005/0154410	A1	7/2005	Conway et al.
2003/0042137	A1	3/2003	Mao et al.	2005/0165404	A1	7/2005	Miller
2003/0060753	A1	3/2003	Starkweather et al.	2005/0173245	A1	8/2005	Feldman et al.
2003/0065308	A1	4/2003	Lebel et al.	2005/0176136	A1	8/2005	Burd et al.
2003/0069510	A1	4/2003	Semler	2005/0182306	A1	8/2005	Sloan
2003/0078481	A1	4/2003	McIvor et al.	2005/0187720	A1	8/2005	Goode, Jr. et al.
2003/0078560	A1	4/2003	Miller et al.	2005/0192557	A1	9/2005	Brauker et al.
2003/0097092	A1	5/2003	Flaherty	2005/0195930	A1	9/2005	Spital et al.
2003/0100040	A1	5/2003	Bonnecaze et al.	2005/0197554	A1	9/2005	Polcha
2003/0109775	A1	6/2003	O'Neil et al.	2005/0199494	A1	9/2005	Say et al.
2003/0134347	A1	7/2003	Heller et al.	2005/0203360	A1	9/2005	Brauker et al.
2003/0135333	A1	7/2003	Aceti et al.	2005/0222518	A1	10/2005	Dib
2003/0144581	A1	7/2003	Conn et al.	2005/0222599	A1	10/2005	Czemecki et al.
2003/0144608	A1	7/2003	Kojima et al.	2005/0236277	A9	10/2005	Imran et al.
2003/0155656	A1	8/2003	Chiu et al.	2005/0239154	A1	10/2005	Feldman et al.
2003/0168338	A1	9/2003	Gao et al.	2005/0239156	A1	10/2005	Drucker et al.
2003/0176933	A1	9/2003	Lebel et al.	2005/0241957	A1	11/2005	Mao et al.
2003/0187338	A1	10/2003	Say et al.	2005/0245795	A1	11/2005	Goode, Jr. et al.
2003/0199790	A1	10/2003	Boecker et al.	2005/0245799	A1	11/2005	Brauker et al.
2003/0199910	A1	10/2003	Boecker et al.	2005/0245844	A1	11/2005	Mace et al.
2003/0212379	A1	11/2003	Bylund et al.	2005/0277164	A1	12/2005	Drucker et al.
2003/0217966	A1	11/2003	Tapsak et al.	2005/0283114	A1	12/2005	Bresina et al.

US D924,406 S

2005/0287620	A1	12/2005	Heller et al.	2008/0064937	A1	3/2008	McGarraugh et al.
2006/0001538	A1	1/2006	Kraft et al.	2008/0064941	A1	3/2008	Funderbunk et al.
2006/0004303	A1	1/2006	Weidenhaupt et al.	2008/0065646	A1	3/2008	Zhang et al.
2006/0010098	A1	1/2006	Goodnow et al.	2008/0071156	A1	3/2008	Brister et al.
2006/0015020	A1	1/2006	Neale et al.	2008/0083617	A1	4/2008	Simpson et al.
2006/0015024	A1	1/2006	Brister et al.	2008/0086042	A1	4/2008	Brister et al.
2006/0016700	A1	1/2006	Brister et al.	2008/0086044	A1	4/2008	Brister et al.
2006/0019327	A1	1/2006	Brister et al.	2008/0086273	A1	4/2008	Shults et al.
2006/0020186	A1	1/2006	Brister et al.	2008/0097246	A1	4/2008	Stafford
2006/0020187	A1	1/2006	Brister et al.	2008/0108942	A1	5/2008	Brister et al.
2006/0020188	A1	1/2006	Kamath et al.	2008/0112848	A1	5/2008	Huffstodt et al.
2006/0020189	A1	1/2006	Brister et al.	2008/0114280	A1	5/2008	Stafford
2006/0020190	A1	1/2006	Kamath et al.	2008/0119707	A1	5/2008	Stafford
2006/0020191	A1	1/2006	Brister et al.	2008/0133702	A1	6/2008	Sharma et al.
2006/0020192	A1	1/2006	Brister et al.	2008/0154205	A1	6/2008	Wojcik
2006/0036139	A1	2/2006	Brister et al.	2008/0167578	A1	7/2008	Bryer et al.
2006/0036140	A1	2/2006	Brister et al.	2008/0183061	A1	7/2008	Goode, Jr. et al.
2006/0036141	A1	2/2006	Kamath et al.	2008/0183399	A1	7/2008	Goode, Jr. et al.
2006/0036142	A1	2/2006	Brister et al.	2008/0188731	A1	8/2008	Brister et al.
2006/0036143	A1	2/2006	Brister et al.	2008/0189051	A1	8/2008	Goode, Jr. et al.
2006/0036144	A1	2/2006	Brister et al.	2008/0194935	A1	8/2008	Brister et al.
2006/0036145	A1	2/2006	Brister et al.	2008/0194936	A1	8/2008	Goode, Jr. et al.
2006/0047220	A1	3/2006	Sakata et al.	2008/0194937	A1	8/2008	Goode, Jr. et al.
2006/0081469	A1	4/2006	Lee	2008/0194938	A1	8/2008	Brister et al.
2006/0129173	A1	6/2006	Wilkinson	2008/0195049	A1	8/2008	Thalmann et al.
2006/0155210	A1	7/2006	Beckman et al.	2008/0195232	A1	8/2008	Carr-Brendel et al.
2006/0155317	A1	7/2006	List	2008/0195967	A1	8/2008	Goode, Jr. et al.
2006/0166629	A1	7/2006	Reggiardo	2008/0197024	A1	8/2008	Simpson et al.
2006/0173444	A1	8/2006	Choy et al.	2008/0200788	A1	8/2008	Brister et al.
2006/0189863	A1	8/2006	Peyser et al.	2008/0200789	A1	8/2008	Brister et al.
2006/0189939	A1	8/2006	Gonnelli et al.	2008/0200791	A1	8/2008	Simpson et al.
2006/0195029	A1	8/2006	Shults et al.	2008/0200897	A1	8/2008	Hoss et al.
2006/0200970	A1	9/2006	Brister et al.	2008/0208025	A1	8/2008	Shults et al.
2006/0222566	A1	10/2006	Brauker et al.	2008/0214915	A1	9/2008	Brister et al.
2006/0224171	A1	10/2006	Sakata et al.	2008/0214918	A1	9/2008	Brister et al.
2006/0226985	A1	10/2006	Goodnow et al.	2008/0228051	A1	9/2008	Shults et al.
2006/0247508	A1	11/2006	Fennell	2008/0228054	A1	9/2008	Shults et al.
2006/0258929	A1	11/2006	Goode, Jr. et al.	2008/0242961	A1	10/2008	Brister et al.
2006/0264888	A1	11/2006	Moberg et al.	2008/0262469	A1	10/2008	Brister et al.
2006/0276724	A1	12/2006	Freeman et al.	2008/0269673	A1	10/2008	Butoi et al.
2007/0016381	A1	1/2007	Kamath et al.	2008/0275313	A1	11/2008	Brister et al.
2007/0027381	A1	2/2007	Stafford	2008/0283396	A1	11/2008	Wang et al.
2007/0038044	A1	2/2007	Dobbles et al.	2008/0287764	A1	11/2008	Rasdal et al.
2007/0060814	A1	3/2007	Stafford	2008/0287765	A1	11/2008	Rasdal et al.
2007/0073129	A1	3/2007	Shah et al.	2008/0287766	A1	11/2008	Rasdal et al.
2007/0078320	A1	4/2007	Stafford	2008/0294096	A1	11/2008	Uber et al.
2007/0078321	A1	4/2007	Mazza et al.	2008/0296155	A1	12/2008	Shults et al.
2007/0078322	A1	4/2007	Stafford	2008/0300476	A1	12/2008	Stafford
2007/0106135	A1	5/2007	Sloan et al.	2008/0306368	A1	12/2008	Goode, Jr. et al.
2007/0110124	A1	5/2007	Shiraki et al.	2008/0306434	A1	12/2008	Dobbles et al.
2007/0123819	A1	5/2007	Mernoe et al.	2008/0306435	A1	12/2008	Kamath et al.
2007/0149875	A1	6/2007	Ouyang et al.	2008/0306444	A1	12/2008	Brister et al.
2007/0156094	A1	7/2007	Safabash et al.	2008/0319414	A1	12/2008	Yodfat et al.
2007/0163880	A1	7/2007	Woo et al.	2009/0005659	A1	1/2009	Kollias et al.
2007/0173706	A1	7/2007	Neinast et al.	2009/0012377	A1	1/2009	Jennewine et al.
2007/0173741	A1	7/2007	Deshmukh et al.	2009/0012379	A1	1/2009	Goode, Jr. et al.
2007/0191701	A1	8/2007	Feldman et al.	2009/0018424	A1	1/2009	Kamath et al.
2007/0203407	A1	8/2007	Hoss et al.	2009/0030294	A1	1/2009	Petisce et al.
2007/0203966	A1	8/2007	Brauker et al.	2009/0036758	A1	2/2009	Brauker et al.
2007/0213611	A1	9/2007	Simpson et al.	2009/0036763	A1	2/2009	Brauker et al.
2007/0235331	A1	10/2007	Simpson et al.	2009/0036915	A1	2/2009	Karbowniczek et al.
2007/0244368	A1	10/2007	Bayloff et al.	2009/0043181	A1	2/2009	Brauker et al.
2007/0244398	A1	10/2007	Lo et al.	2009/0043182	A1	2/2009	Brauker et al.
2007/0249922	A1	10/2007	Peyser et al.	2009/0043525	A1	2/2009	Brauker et al.
2007/0255302	A1	11/2007	Koeppel et al.	2009/0043541	A1	2/2009	Brauker et al.
2008/0004512	A1	1/2008	Funderbunk et al.	2009/0043542	A1	2/2009	Brauker et al.
2008/0004573	A1	1/2008	Kaufmann et al.	2009/0045055	A1	2/2009	Rhodes et al.
2008/0009692	A1	1/2008	Stafford	2009/0054866	A1	2/2009	Teisen-Simony et al.
2008/0009805	A1	1/2008	Ethelfeld	2009/0062633	A1	3/2009	Brauker et al.
2008/0017522	A1	1/2008	Heller et al.	2009/0062635	A1	3/2009	Brauker et al.
2008/0021666	A1	1/2008	Goode, Jr. et al.	2009/0069658	A1	3/2009	Say et al.
2008/0027474	A1	1/2008	Curry et al.	2009/0069750	A1	3/2009	Schraga
2008/0029391	A1	2/2008	Mao et al.	2009/0076356	A1	3/2009	Simpson et al.
2008/0031941	A1	2/2008	Pettersson	2009/0076359	A1	3/2009	Peyser
2008/0033254	A1	2/2008	Kamath et al.	2009/0076360	A1	3/2009	Brister et al.
2008/0033268	A1	2/2008	Stafford	2009/0076361	A1	3/2009	Kamath et al.
2008/0033318	A1	2/2008	Mace et al.	2009/0082693	A1	3/2009	Stafford
2008/0039702	A1	2/2008	Hayter et al.	2009/0088614	A1	4/2009	Taub
2008/0045824	A1	2/2008	Tapsak et al.	2009/0088787	A1	4/2009	Koike et al.

US D924,406 S

2009/0099436 A1	4/2009	Brister et al.	2010/0096259 A1	4/2010	Zhang et al.
2009/0102678 A1	4/2009	Mazza et al.	2010/0099970 A1	4/2010	Shults et al.
2009/0105569 A1	4/2009	Stafford	2010/0099971 A1	4/2010	Shults et al.
2009/0124877 A1	5/2009	Goode, Jr. et al.	2010/0100113 A1	4/2010	Iio et al.
2009/0124878 A1	5/2009	Goode et al.	2010/0113897 A1	5/2010	Brenneman et al.
2009/0124879 A1	5/2009	Brister et al.	2010/0119693 A1	5/2010	Tapsak et al.
2009/0124964 A1	5/2009	Leach et al.	2010/0121169 A1	5/2010	Petisce et al.
2009/0124979 A1	5/2009	Raymond et al.	2010/0174157 A1	7/2010	Brister et al.
2009/0131768 A1	5/2009	Simpson et al.	2010/0174158 A1	7/2010	Kamath et al.
2009/0131769 A1	5/2009	Leach et al.	2010/0174163 A1	7/2010	Brister et al.
2009/0131776 A1	5/2009	Simpson et al.	2010/0174164 A1	7/2010	Brister et al.
2009/0131777 A1	5/2009	Simpson et al.	2010/0174165 A1	7/2010	Brister et al.
2009/0131860 A1	5/2009	Nielsen	2010/0174166 A1	7/2010	Brister et al.
2009/0137886 A1	5/2009	Shariati et al.	2010/0174167 A1	7/2010	Kamath et al.
2009/0137887 A1	5/2009	Shariati et al.	2010/0174168 A1	7/2010	Goode et al.
2009/0143659 A1	6/2009	Li et al.	2010/0179401 A1	7/2010	Rasdal et al.
2009/0143660 A1	6/2009	Brister et al.	2010/0179402 A1	7/2010	Goode, Jr. et al.
2009/0156919 A1	6/2009	Brister et al.	2010/0179404 A1	7/2010	Kamath et al.
2009/0156924 A1	6/2009	Shariati et al.	2010/0179408 A1	7/2010	Kamath et al.
2009/0163790 A1	6/2009	Brister et al.	2010/0179409 A1	7/2010	Kamath et al.
2009/0163791 A1	6/2009	Brister et al.	2010/0185065 A1	7/2010	Goode, Jr. et al.
2009/0171182 A1	7/2009	Stafford	2010/0185069 A1	7/2010	Brister et al.
2009/0178459 A1	7/2009	Li et al.	2010/0185070 A1	7/2010	Brister et al.
2009/0182217 A1	7/2009	Li et al.	2010/0185071 A1	7/2010	Simpson et al.
2009/0192366 A1	7/2009	Mensinger et al.	2010/0185072 A1	7/2010	Goode, Jr. et al.
2009/0192380 A1	7/2009	Shariati et al.	2010/0185075 A1	7/2010	Brister et al.
2009/0192722 A1	7/2009	Shariati et al.	2010/0191082 A1	7/2010	Brister et al.
2009/0192724 A1	7/2009	Brauker et al.	2010/0198033 A1	8/2010	Krulevitch et al.
2009/0192745 A1	7/2009	Kamath et al.	2010/0198034 A1*	8/2010	Thomas A61B 5/14532 600/365
2009/0192751 A1	7/2009	Kamath et al.			
2009/0198215 A1	8/2009	Chong et al.	2010/0198035 A1	8/2010	Kamath et al.
2009/0203981 A1	8/2009	Brauker et al.	2010/0198036 A1	8/2010	Kamath et al.
2009/0204341 A1	8/2009	Brauker et al.	2010/0204653 A1	8/2010	Gryn et al.
2009/0212766 A1	8/2009	Olson et al.	2010/0212583 A1	8/2010	Brister et al.
2009/0216103 A1	8/2009	Brister et al.	2010/0214104 A1	8/2010	Goode, Jr. et al.
2009/0240120 A1	9/2009	Mensinger et al.	2010/0217105 A1	8/2010	Yodfat et al.
2009/0240128 A1	9/2009	Mensinger et al.	2010/0217557 A1	8/2010	Kamath et al.
2009/0240193 A1	9/2009	Mensinger et al.	2010/0223013 A1	9/2010	Kamath et al.
2009/0242399 A1	10/2009	Kamath et al.	2010/0223022 A1	9/2010	Kamath et al.
2009/0242425 A1	10/2009	Kamath et al.	2010/0223023 A1	9/2010	Kamath et al.
2009/0247855 A1	10/2009	Boock et al.	2010/0228109 A1	9/2010	Kamath et al.
2009/0247856 A1	10/2009	Boock et al.	2010/0228497 A1	9/2010	Kamath et al.
2009/0259118 A1	10/2009	Feldman et al.	2010/0240975 A1	9/2010	Goode, Jr. et al.
2009/0270765 A1	10/2009	Ghesquire et al.	2010/0240976 A1	9/2010	Goode, Jr. et al.
2009/0287073 A1	11/2009	Boock et al.	2010/0261987 A1	10/2010	Kamath et al.
2009/0287074 A1	11/2009	Shults et al.	2010/0262201 A1	10/2010	He et al.
2009/0292184 A1	11/2009	Funderburk et al.	2010/0274107 A1	10/2010	Boock et al.
2009/0292185 A1	11/2009	Funderburk et al.	2010/0280341 A1	11/2010	Boock et al.
2009/0299155 A1	12/2009	Yang et al.	2010/0286496 A1	11/2010	Simpson et al.
2009/0299156 A1	12/2009	Simpson et al.	2010/0298684 A1	11/2010	Leach et al.
2009/0299162 A1	12/2009	Brauker et al.	2010/0324392 A1*	12/2010	Yee A61B 5/14532 600/345
2009/0299167 A1	12/2009	Seymour			
2009/0299276 A1	12/2009	Brauker et al.	2010/0324403 A1	12/2010	Brister et al.
2010/0004597 A1	1/2010	Gryn et al.	2010/0331642 A1	12/2010	Bruce et al.
2010/0010324 A1	1/2010	Brauker et al.	2010/0331644 A1	12/2010	Neale et al.
2010/0010331 A1	1/2010	Brauker et al.	2010/0331648 A1	12/2010	Kamath et al.
2010/0010332 A1	1/2010	Brauker et al.	2010/0331653 A1	12/2010	Stafford
2010/0016687 A1	1/2010	Brauker et al.	2010/0331656 A1	12/2010	Mensinger et al.
2010/0016698 A1	1/2010	Rasdal et al.	2010/0331657 A1	12/2010	Mensinger et al.
2010/0022855 A1	1/2010	Brauker et al.	2011/0004085 A1	1/2011	Mensinger et al.
2010/0030038 A1	2/2010	Brauker et al.	2011/0009727 A1	1/2011	Mensinger et al.
2010/0030053 A1	2/2010	Goode, Jr. et al.	2011/0024043 A1	2/2011	Boock et al.
2010/0030484 A1	2/2010	Brauker et al.	2011/0024307 A1	2/2011	Simpson et al.
2010/0030485 A1	2/2010	Brauker et al.	2011/0027127 A1	2/2011	Simpson et al.
2010/0036215 A1	2/2010	Goode, Jr. et al.	2011/0027453 A1	2/2011	Boock et al.
2010/0036216 A1	2/2010	Goode, Jr. et al.	2011/0027458 A1	2/2011	Boock et al.
2010/0036222 A1	2/2010	Goode, Jr. et al.	2011/0028815 A1	2/2011	Simpson et al.
2010/0036223 A1	2/2010	Goode, Jr. et al.	2011/0028816 A1	2/2011	Simpson et al.
2010/0036225 A1	2/2010	Goode, Jr. et al.	2011/0040256 A1	2/2011	Bobroff et al.
2010/0041971 A1	2/2010	Goode, Jr. et al.	2011/0040263 A1	2/2011	Hordum et al.
2010/0045465 A1	2/2010	Brauker et al.	2011/0046467 A1	2/2011	Simpson et al.
2010/0049014 A1	2/2010	Funderburk et al.	2011/0054275 A1	3/2011	Stafford
2010/0049024 A1	2/2010	Saint et al.	2011/0060196 A1	3/2011	Stafford
2010/0063373 A1	3/2010	Kamath et al.	2011/0073475 A1	3/2011	Kastanos et al.
2010/0069728 A1	3/2010	Funderburk et al.	2011/0077490 A1	3/2011	Simpson et al.
2010/0076283 A1	3/2010	Simpson et al.	2011/0082484 A1	4/2011	Saravia et al.
2010/0081908 A1	4/2010	Dobbles et al.	2011/0106126 A1	5/2011	Love et al.
2010/0081910 A1	4/2010	Brister et al.	2011/0118579 A1	5/2011	Goode et al.
2010/0087724 A1	4/2010	Brauker et al.	2011/0118580 A1	5/2011	Goode et al.

US D924,406 S

Page 8

2011/0124992	A1	5/2011	Brauker et al.	EP	0987982	1/2007
2011/0124997	A1	5/2011	Goode et al.	EP	2060284	5/2009
2011/0125410	A1	5/2011	Goode et al.	EP	2201969	6/2010
2011/0130970	A1	6/2011	Goode et al.	EP	2327362	6/2011
2011/0130971	A1	6/2011	Goode et al.	EP	2335587	6/2011
2011/0130998	A1	6/2011	Goode et al.	JP	11-506629	6/1999
2011/0137257	A1	6/2011	Gym et al.	JP	2004-520103	7/2004
2011/0144465	A1	6/2011	Shults et al.	JP	2004-520898	7/2004
2011/0178378	A1	7/2011	Brister et al.	WO	WO-1991/015993	10/1991
2011/0178461	A1	7/2011	Chong et al.	WO	WO-1992/013271	8/1992
2011/0184258	A1	7/2011	Stafford	WO	WO-1994/020602	9/1994
2011/0190603	A1	8/2011	Stafford	WO	WO-1996/039977	5/1996
2011/0190614	A1	8/2011	Brister et al.	WO	WO-1996/025089	8/1996
2011/0191044	A1	8/2011	Stafford	WO	WO-1998/035053	8/1998
2011/0201910	A1	8/2011	Rasdal et al.	WO	WO-1998/056293	12/1998
2011/0201911	A1	8/2011	Johnson et al.	WO	WO-1999/033504	7/1999
2011/0218414	A1	9/2011	Kamath et al.	WO	WO-1999/056613	11/1999
2011/0231107	A1	9/2011	Brauker et al.	WO	WO-2000/049940	8/2000
2011/0231140	A1	9/2011	Goode, Jr. et al.	WO	WO-2000/059370	10/2000
2011/0231141	A1	9/2011	Goode, Jr. et al.	WO	WO-2000/078992	12/2000
2011/0231142	A1	9/2011	Goode, Jr. et al.	WO	WO-2001/052935	7/2001
2011/0253533	A1	10/2011	Shults et al.	WO	WO-2001/054753	8/2001
2011/0257895	A1	10/2011	Brauker et al.	WO	WO-2002/016905	2/2002
2011/0263958	A1	10/2011	Brauker et al.	WO	WO-2002/050534	6/2002
2011/0270062	A1	11/2011	Goode, Jr. et al.	WO	WO-2002/058537	8/2002
2011/0270158	A1	11/2011	Brauker et al.	WO	WO-2003/028784	4/2003
2011/0275919	A1	11/2011	Petisce et al.	WO	WO-2003/076893	9/2003
2011/0288574	A1*	11/2011	Curry A61B 5/15194 606/185	WO	WO-2003/082091	10/2003
				WO	WO-2004/028337	4/2004
2011/0290645	A1	12/2011	Brister et al.	WO	WO-2004/060436	7/2004
2011/0313543	A1	12/2011	Brauker et al.	WO	WO-2004/061420	7/2004
2011/0319729	A1	12/2011	Donnay et al.	WO	WO-2004/098684	11/2004
2011/0319733	A1	12/2011	Stafford	WO	WO-2004/112602	12/2004
2011/0319738	A1	12/2011	Woodruff et al.	WO	WO-2005/084534	9/2005
2011/0319739	A1	12/2011	Kamath et al.	WO	WO-2005/089103	9/2005
2011/0320130	A1	12/2011	Valdes et al.	WO	WO-2006/024671	3/2006
2012/0010642	A1	1/2012	Lee et al.	WO	WO-2006/042811	4/2006
2012/0035445	A1	2/2012	Boock et al.	WO	WO-2006/108809	10/2006
2012/0040101	A1	2/2012	Tapsak et al.	WO	WO-2007/089738	8/2007
2012/0046534	A1	2/2012	Simpson et al.	WO	WO-2007/140783	12/2007
2012/0078071	A1	3/2012	Bohm et al.	WO	WO 2008/065646	6/2008
2012/0108934	A1	5/2012	Valdes et al.	WO	WO 2008/133702	11/2008
2012/0108983	A1	5/2012	Banet et al.	WO	WO-2009/062675	5/2009
2012/0143135	A1	6/2012	Cole et al.	WO	WO 2010/112521	10/2010
2012/0303043	A1*	11/2012	Donnay A61B 5/6849 606/129	WO	WO-2011/002815	1/2011
2013/0079719	A1*	3/2013	Gym A61M 5/158 604/134			
2013/0150691	A1	6/2013	Pace et al.			
2015/0025338	A1*	1/2015	Lee A61B 5/15194 600/309			
2016/0015303	A1*	1/2016	Bernstein G06Q 50/22 600/347			
2016/0331284	A1*	11/2016	Pace A61B 5/14503			
2017/0290534	A1*	10/2017	Antonio A61B 5/002			
2017/0290546	A1*	10/2017	Antonio A61B 5/742			

* cited by examiner

Primary Examiner — Anhdao Doan
(74) *Attorney, Agent, or Firm* — McAndrews, Held & Malloy, Ltd.

(57) **CLAIM**

The ornamental design for an analyte sensor inserter, as shown and described.

DESCRIPTION

FIG. 1 is a front perspective view of an analyte sensor inserter;
FIG. 2 is a top plan view thereof; and,
FIG. 3 is a bottom plan view thereof.
The broken lines depict portions of the analyte sensor inserter that form no part of the claimed design.

1 Claim, 1 Drawing Sheet

FOREIGN PATENT DOCUMENTS

CA	2291105	12/1998
DE	4401400	7/1995
EP	0320109	6/1989
EP	0353328	2/1990
EP	0390390	10/1990
EP	0396788	11/1990
EP	0286118	1/1995
EP	1048264	11/2000
EP	1177802	2/2002

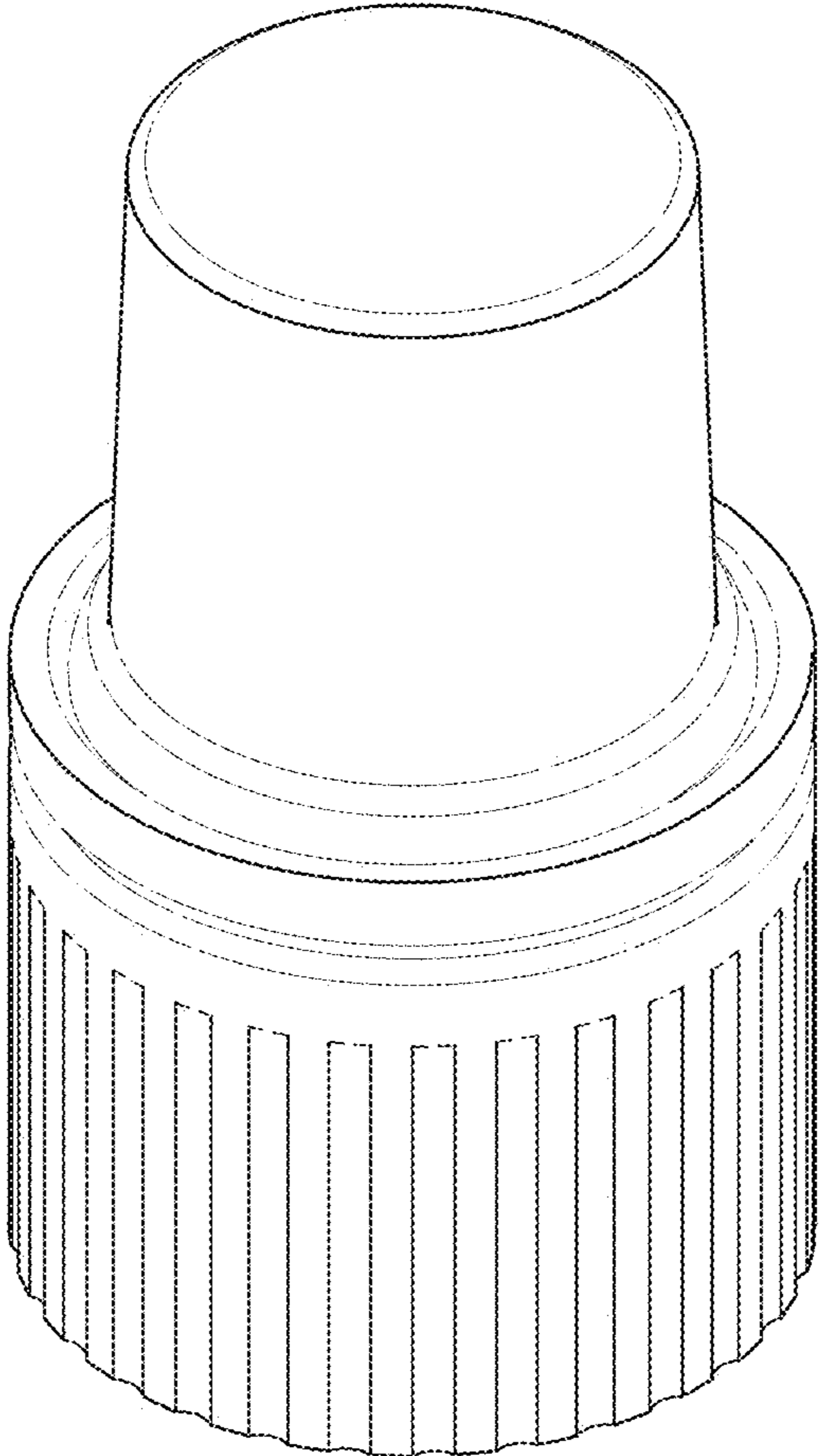


FIG. 1

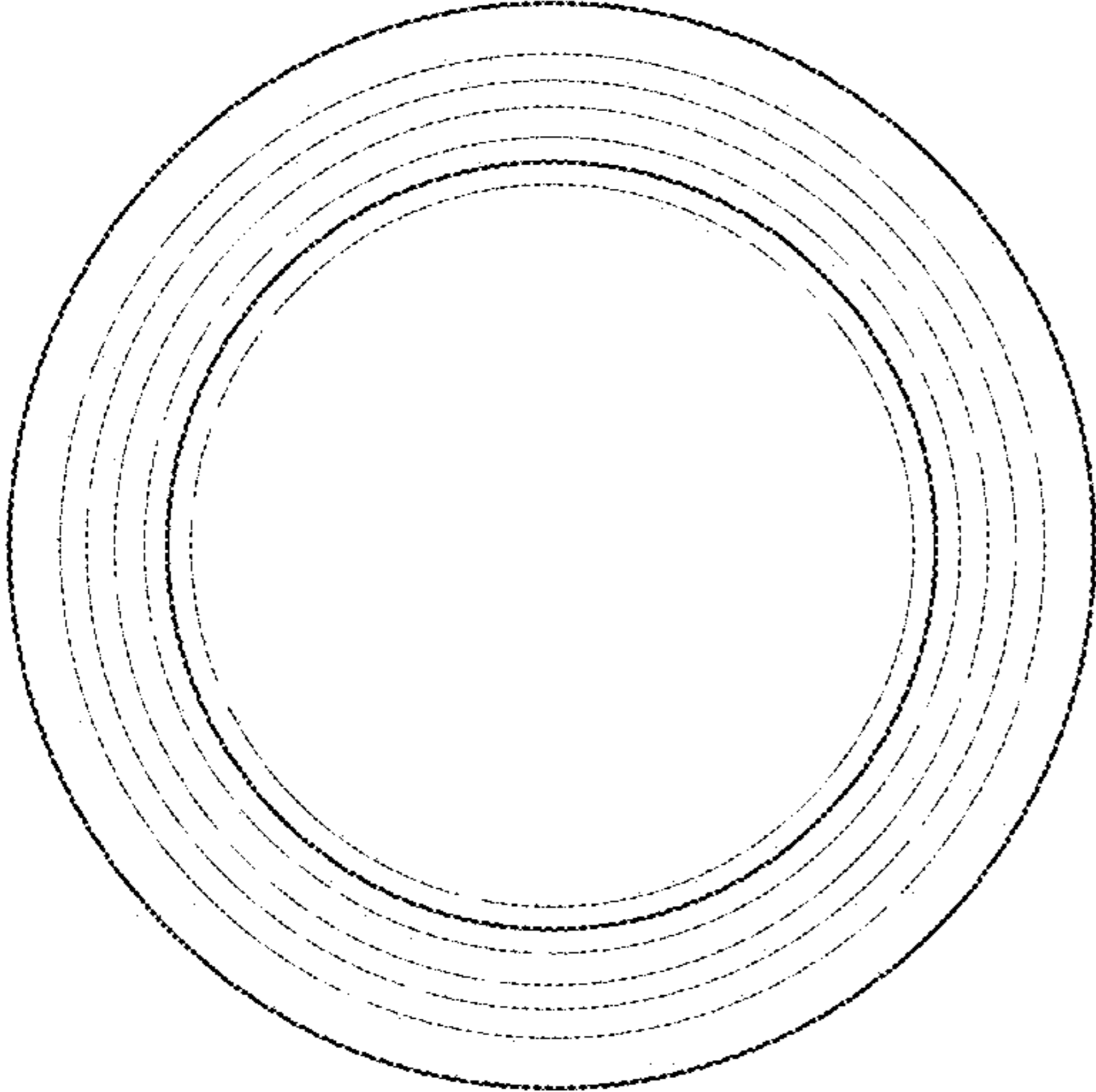


FIG. 2

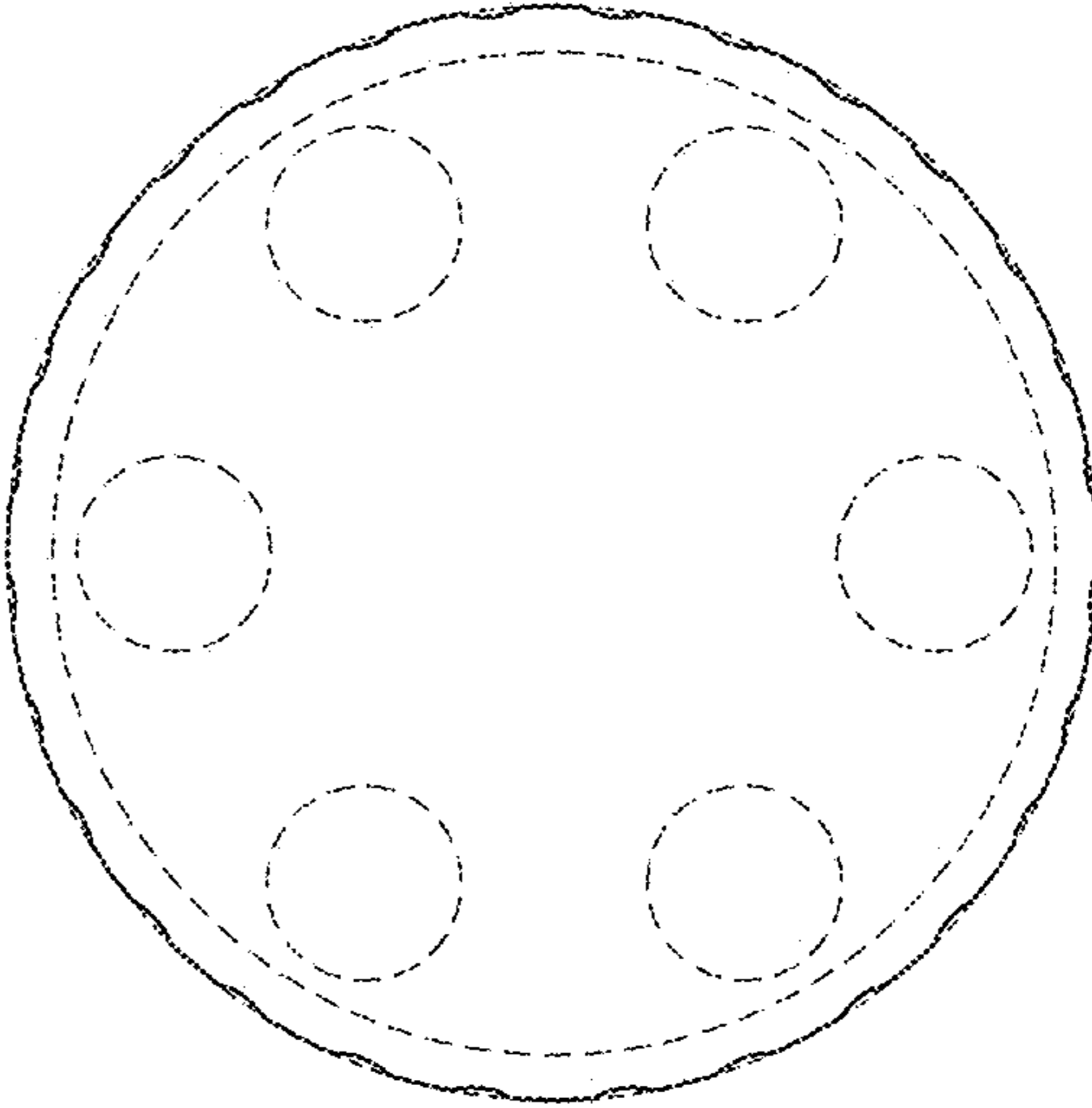


FIG. 3