



US00D924405S

(12) **United States Design Patent**
Imbruce et al.

(10) **Patent No.:** **US D924,405 S**

(45) **Date of Patent:** **** Jul. 6, 2021**

(54) **PORTABLE OXYGEN DEVICE**

FOREIGN PATENT DOCUMENTS

(71) Applicant: **Rapid Oxygen Company Inc.**,
Stamford, CT (US)

CN 304456293 * 1/2018
GB 6034857 * 5/2018
GB 6034858 * 5/2018

(72) Inventors: **Richard P. Imbruce**, Westport, CT
(US); **David Cowan**, Cornwall, CT
(US)

(Continued)

Primary Examiner — Lauren D McVey

(73) Assignee: **RAPID OXYGEN COMPANY INC.**,
Stamford, CT (US)

(74) *Attorney, Agent, or Firm* — Jon E. Gordon; Haug
Partners LLP

(**) Term: **15 Years**

(57) **CLAIM**

(21) Appl. No.: **29/625,822**

The ornamental design for a portable oxygen device, as
shown and described.

(22) Filed: **Nov. 13, 2017**

(51) **LOC (13) Cl.** **24-02**

DESCRIPTION

(52) **U.S. Cl.**

USPC **D24/164**

(58) **Field of Classification Search**

USPC D24/164, 165, 170, 186, 185, 231, 234,
D24/110.5, 110.6, 110, 110.1, 110.2,
D24/110.3, 110.4

CPC ... A61B 5/145; A61M 16/10; A61M 16/0672;
A61M 16/0677; A61M 16/0683

See application file for complete search history.

(56) **References Cited**

U.S. PATENT DOCUMENTS

| | | | | |
|--------------|---------|---------|-------|---------|
| D296,819 S * | 7/1988 | Suhajda | | D23/360 |
| D347,064 S * | 5/1994 | Drews | | D24/164 |
| D551,769 S * | 9/2007 | Skwarek | | D24/186 |
| D585,540 S * | 1/2009 | Lithgow | | D24/110 |
| D635,244 S * | 3/2011 | Virr | | D24/110 |
| D635,245 S * | 3/2011 | Virr | | D24/110 |
| D635,681 S * | 4/2011 | Edwards | | D24/186 |
| D675,730 S * | 2/2013 | Lithgow | | D24/110 |
| D734,446 S * | 7/2015 | Salmon | | D24/108 |
| D740,930 S * | 10/2015 | Pipe | | D24/108 |
| D745,137 S * | 12/2015 | Pipe | | D24/108 |
| D756,519 S * | 5/2016 | Adams | | D24/164 |

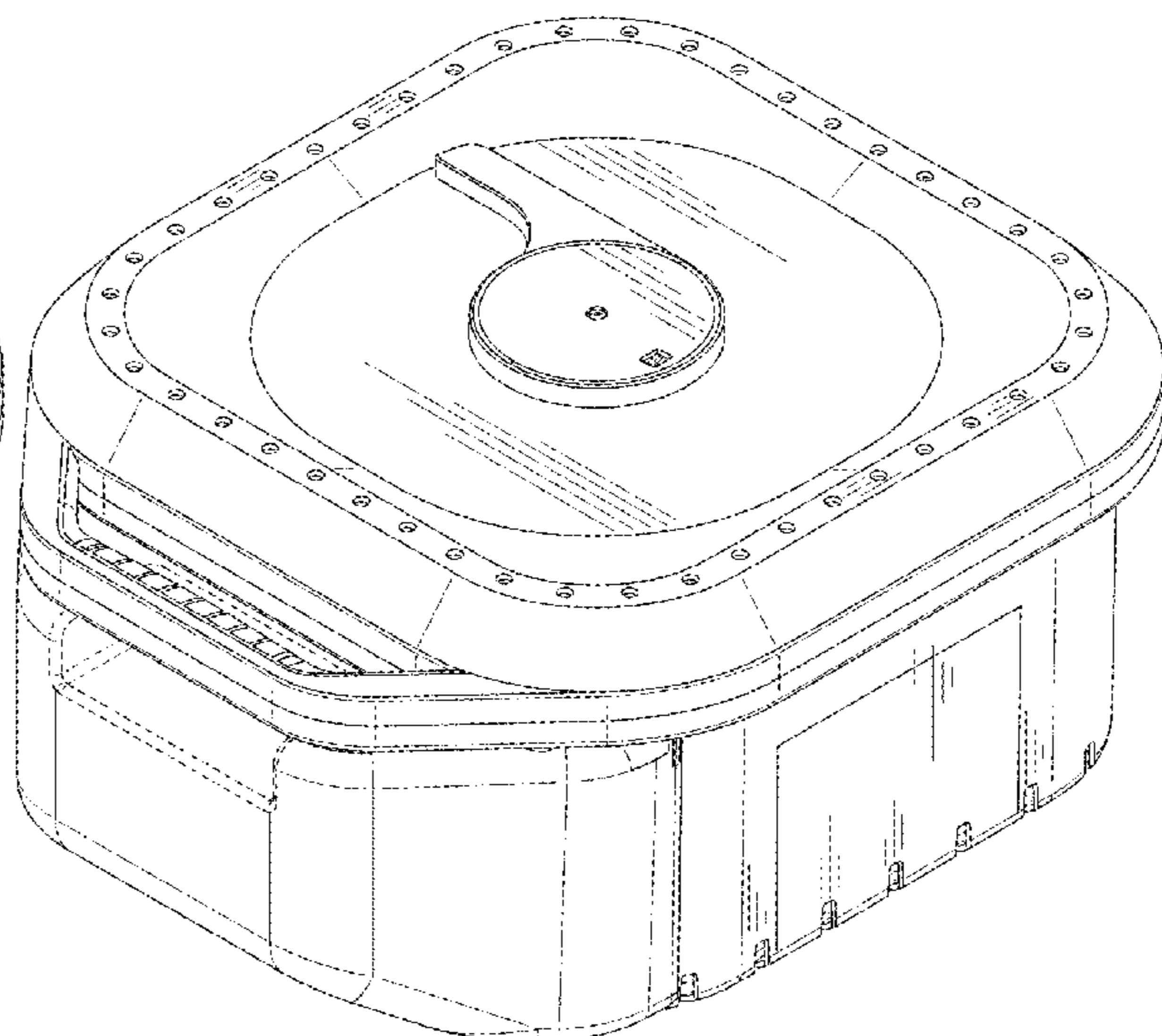
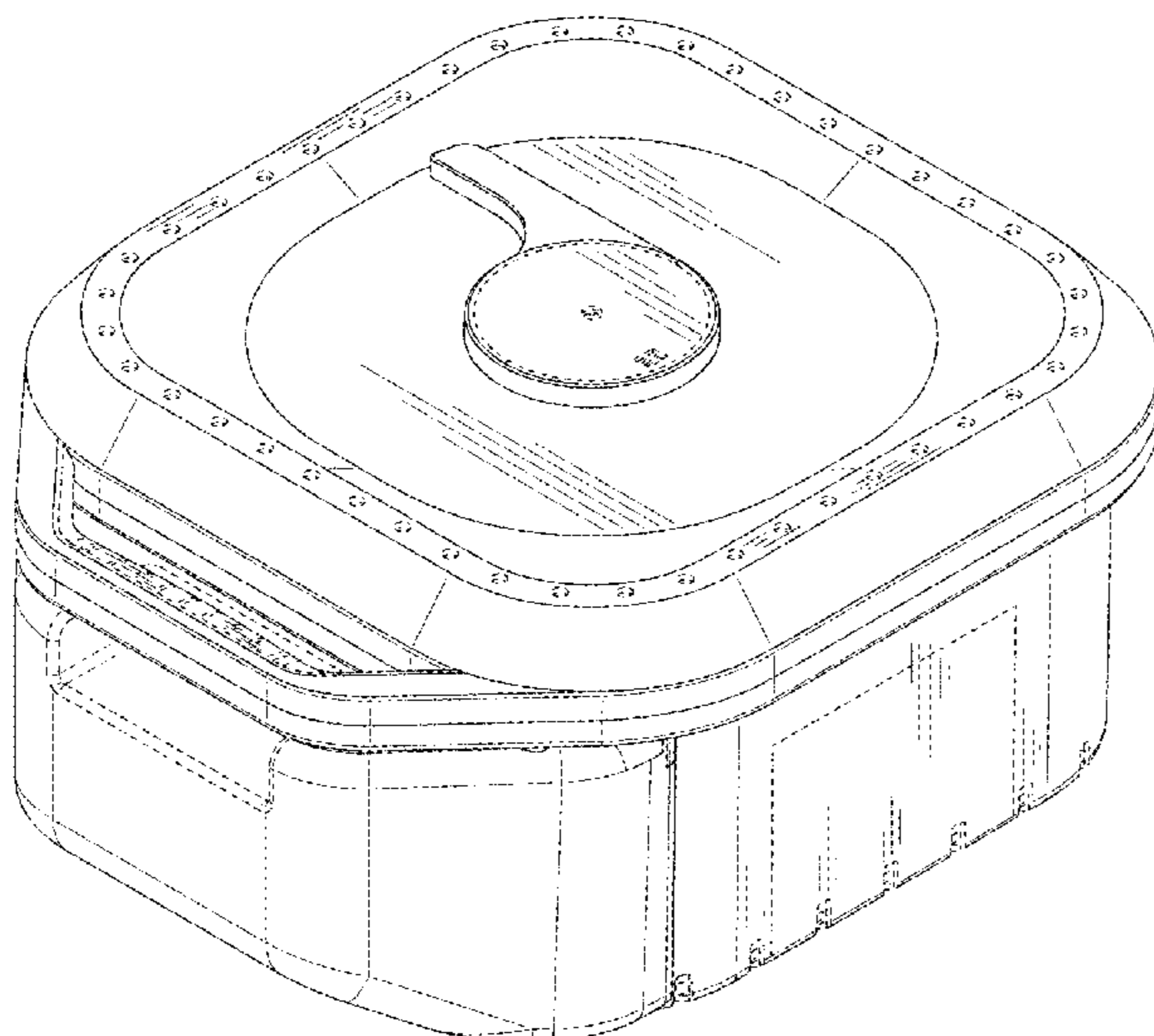
(Continued)

FIG. 1 is a top-plan view of a first embodiment of a portable oxygen device, showing our new design; FIG. 2 is a perspective view thereof; FIG. 3 is a right-side view thereof; FIG. 4 is a left-side view thereof; FIG. 5 is a front view thereof; FIG. 6 is a bottom view thereof; FIG. 7 is a back view thereof; FIG. 8 is a top-plan view of a second embodiment of a portable oxygen device, showing our new design; FIG. 9 is a perspective view thereof; FIG. 10 is a right-side view thereof; FIG. 11 is a left-side view thereof; FIG. 12 is a front view thereof; FIG. 13 is a bottom view thereof; and, FIG. 14 is a back view thereof.

The broken lines immediately adjacent the shaded areas represent the bounds of the claimed design while all other broken lines are directed to environment; the broken lines form no part of the claimed design.

The wire frame lines shown throughout the views are intended to indicate surface contours.

1 Claim, 14 Drawing Sheets



(56)

References Cited

U.S. PATENT DOCUMENTS

D808,017 S * 1/2018 Ito D24/164

FOREIGN PATENT DOCUMENTS

JP D1622350 * 1/2019
WO WO-2018102111 A2 * 6/2018 C01B 13/0296
WO WO-2019075511 A1 * 4/2019 A61B 5/0002
WO WO-2020141061 A1 * 7/2020 G16H 40/63

* cited by examiner

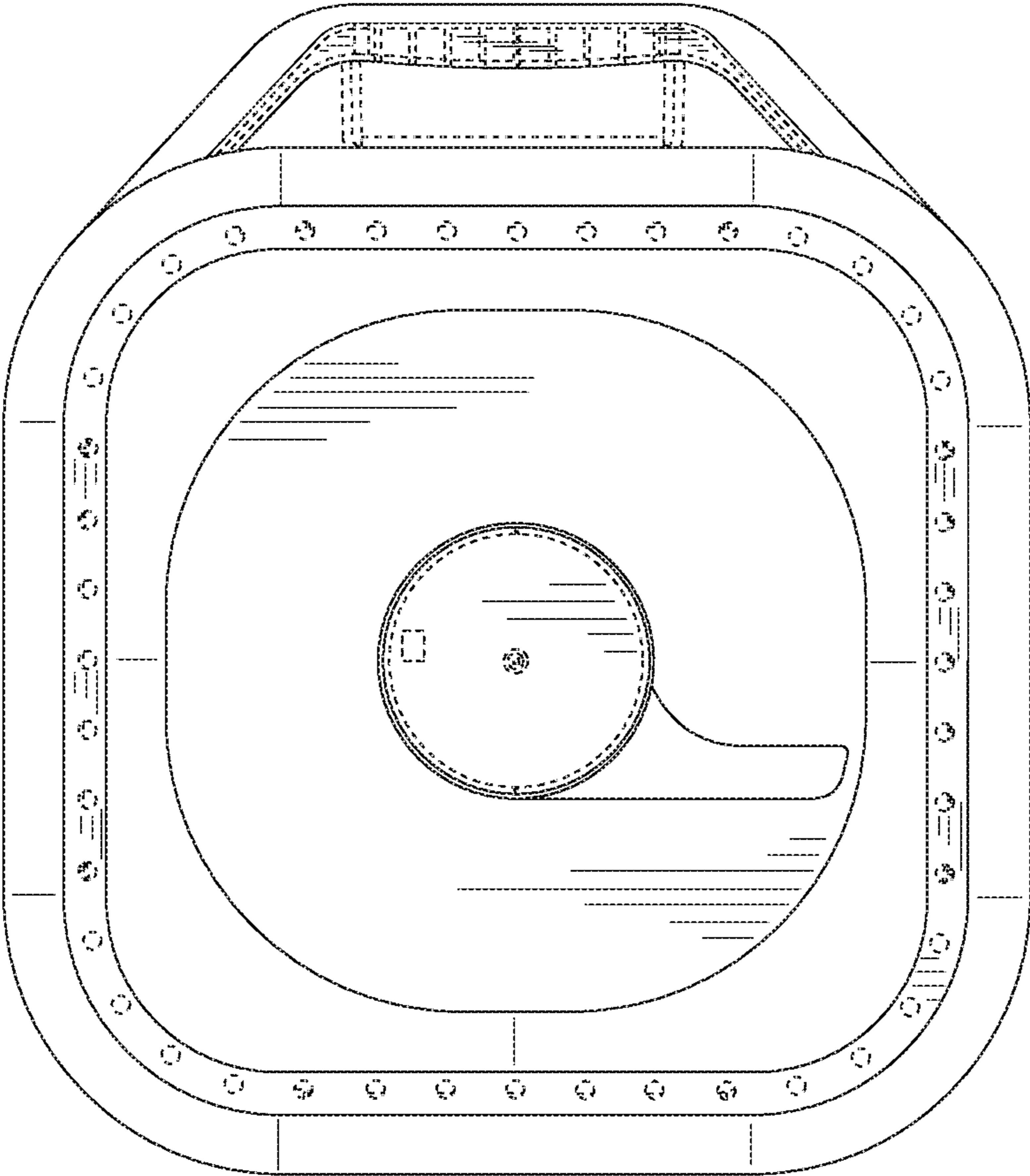


Fig. 1

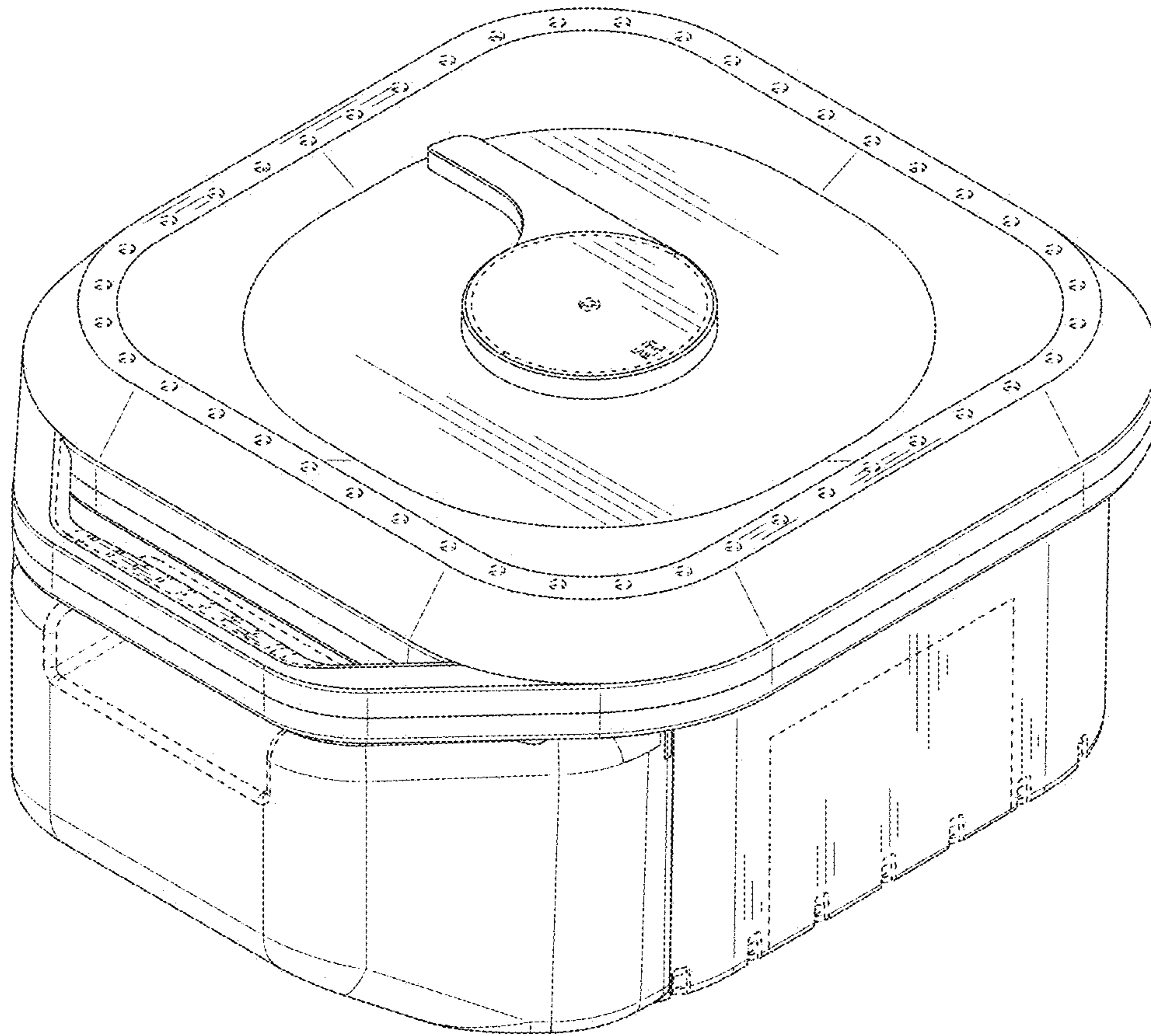


Fig. 2

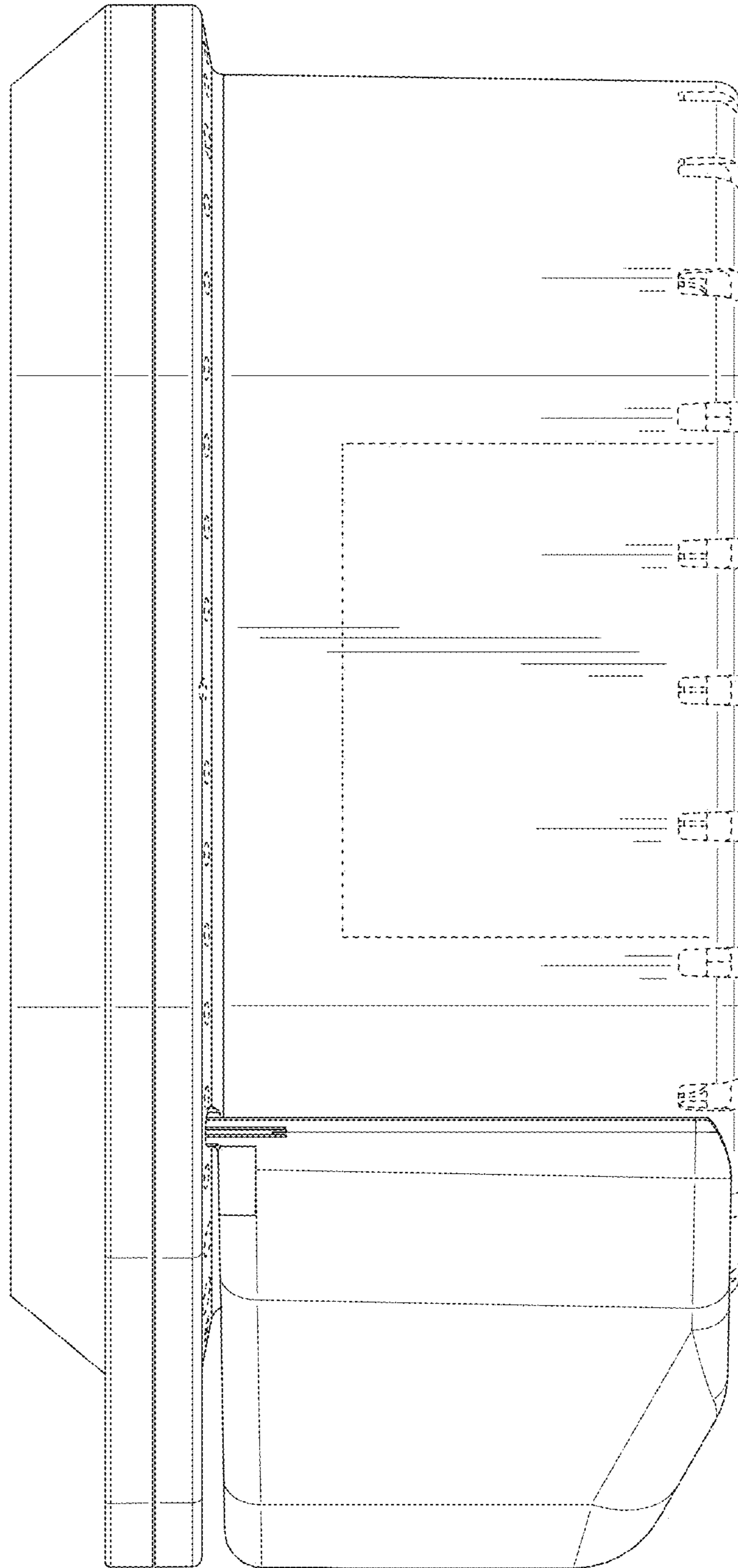


Fig. 3

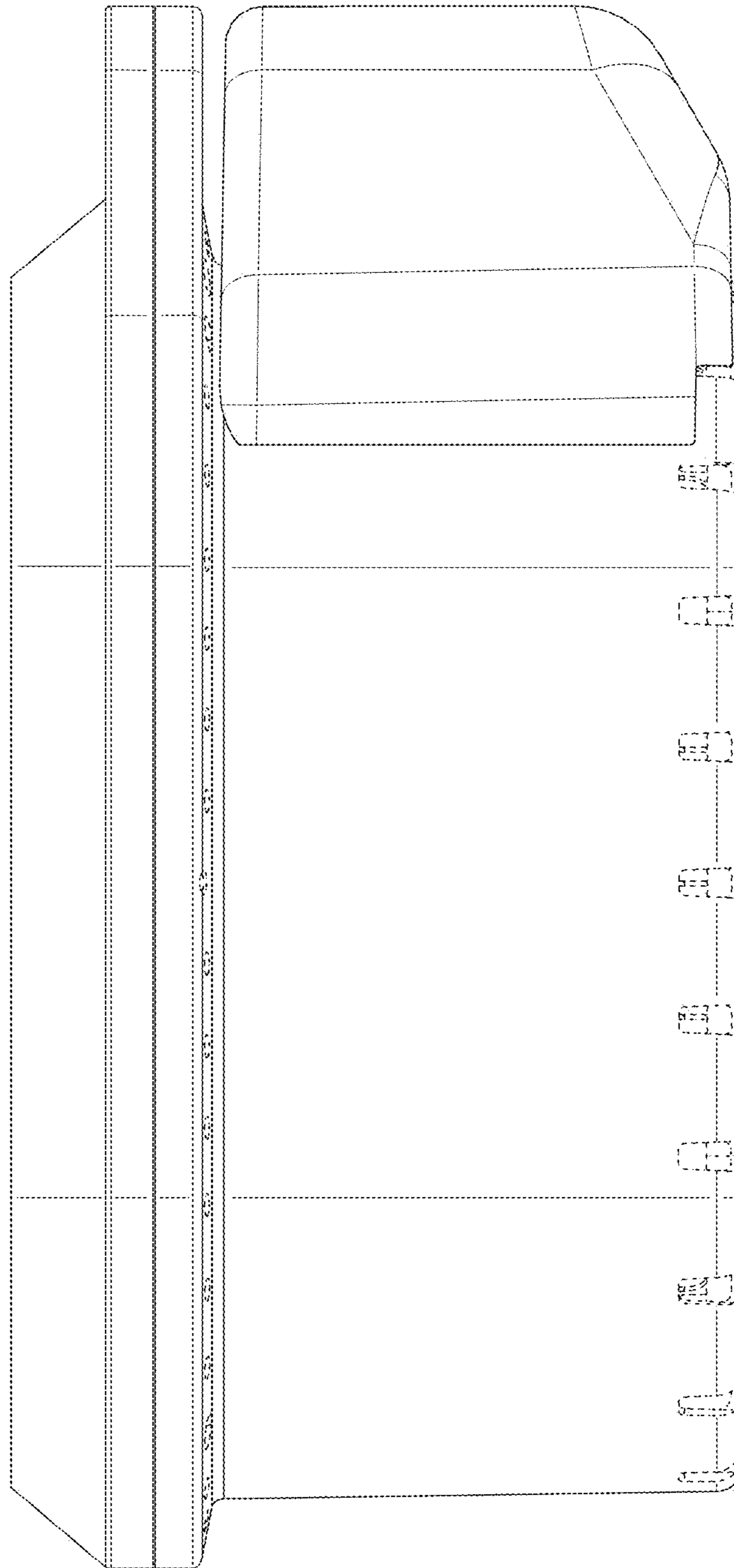


Fig. 4

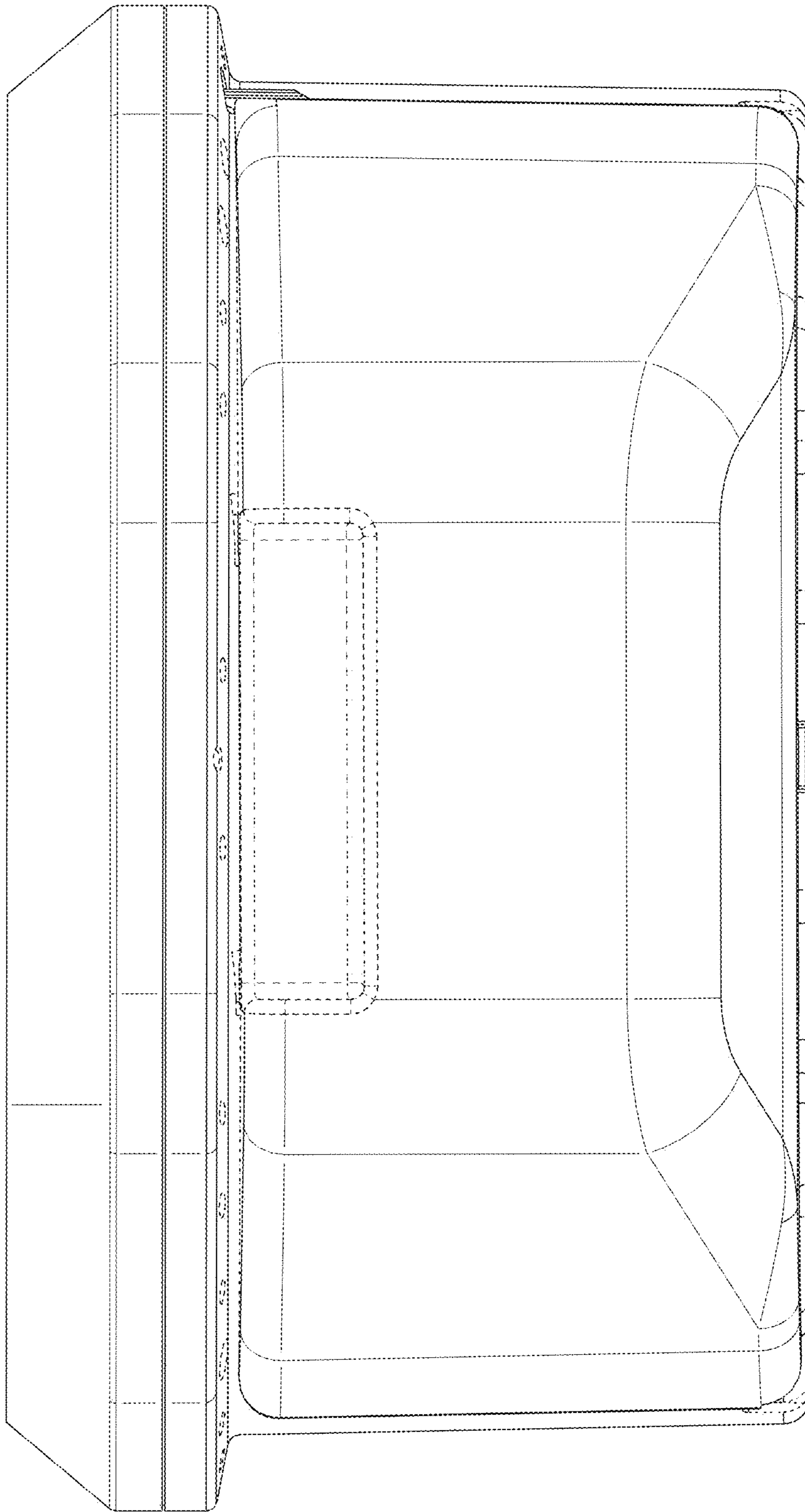


Fig. 5

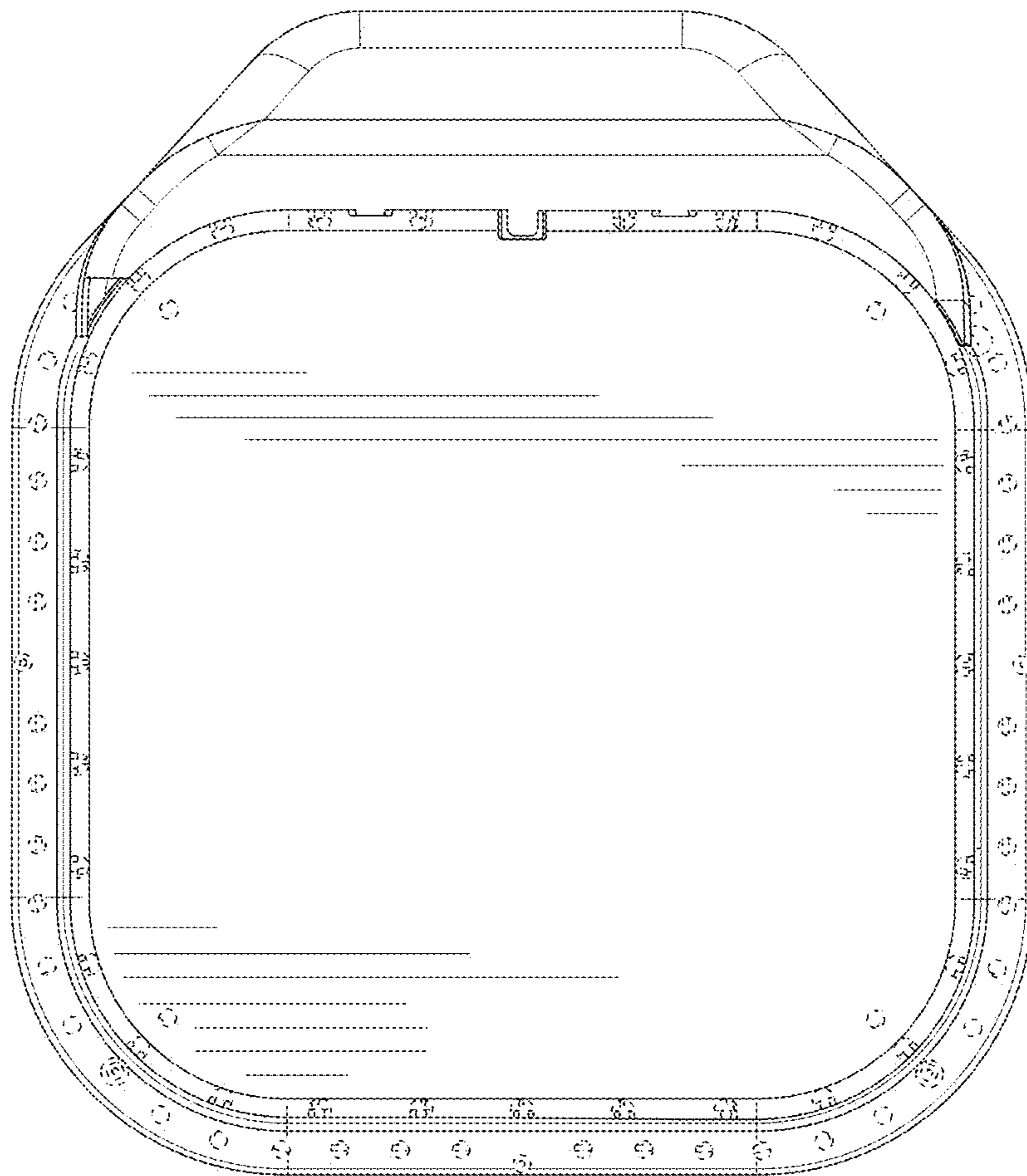


Fig. 6

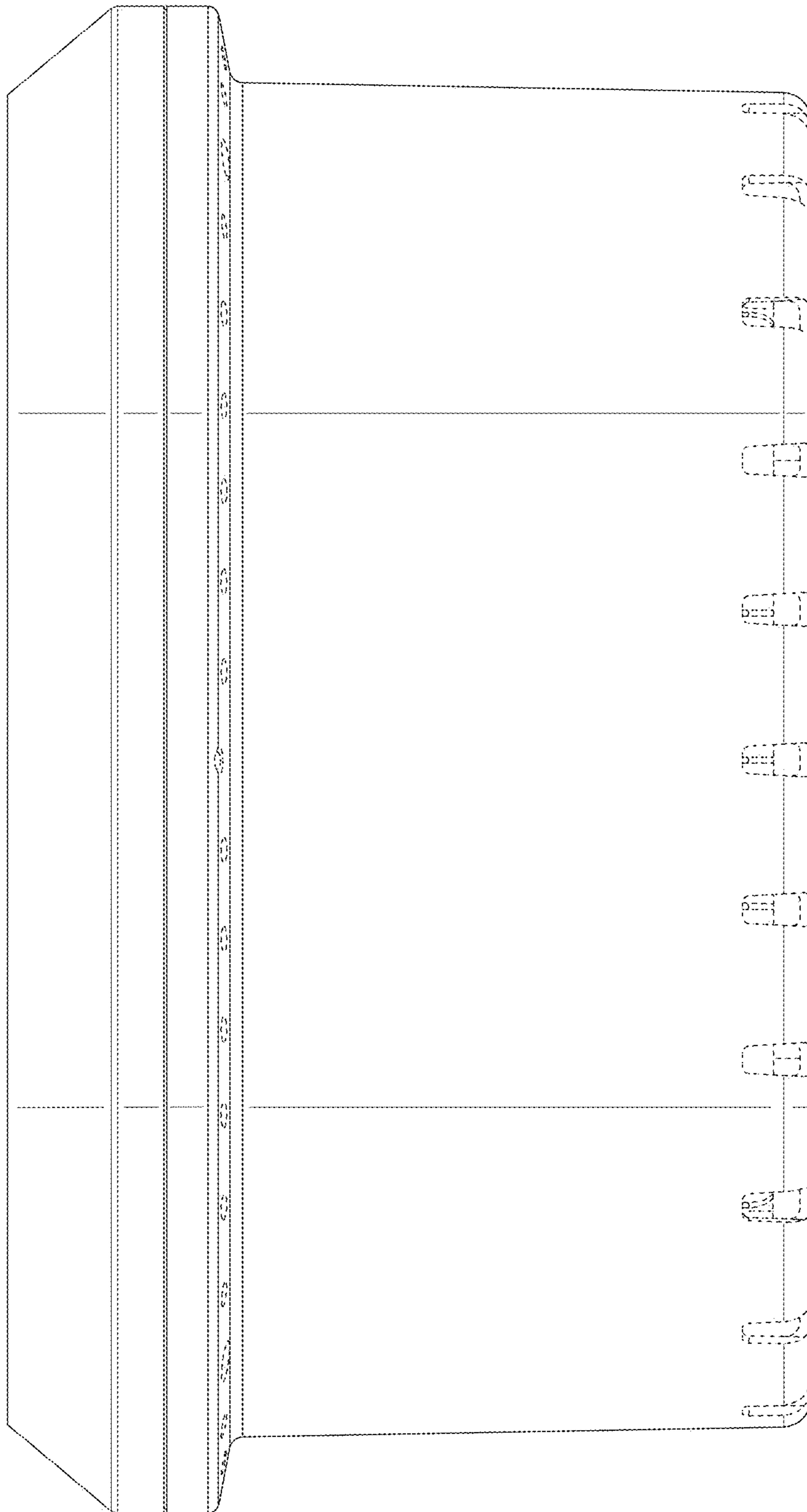


Fig. 7

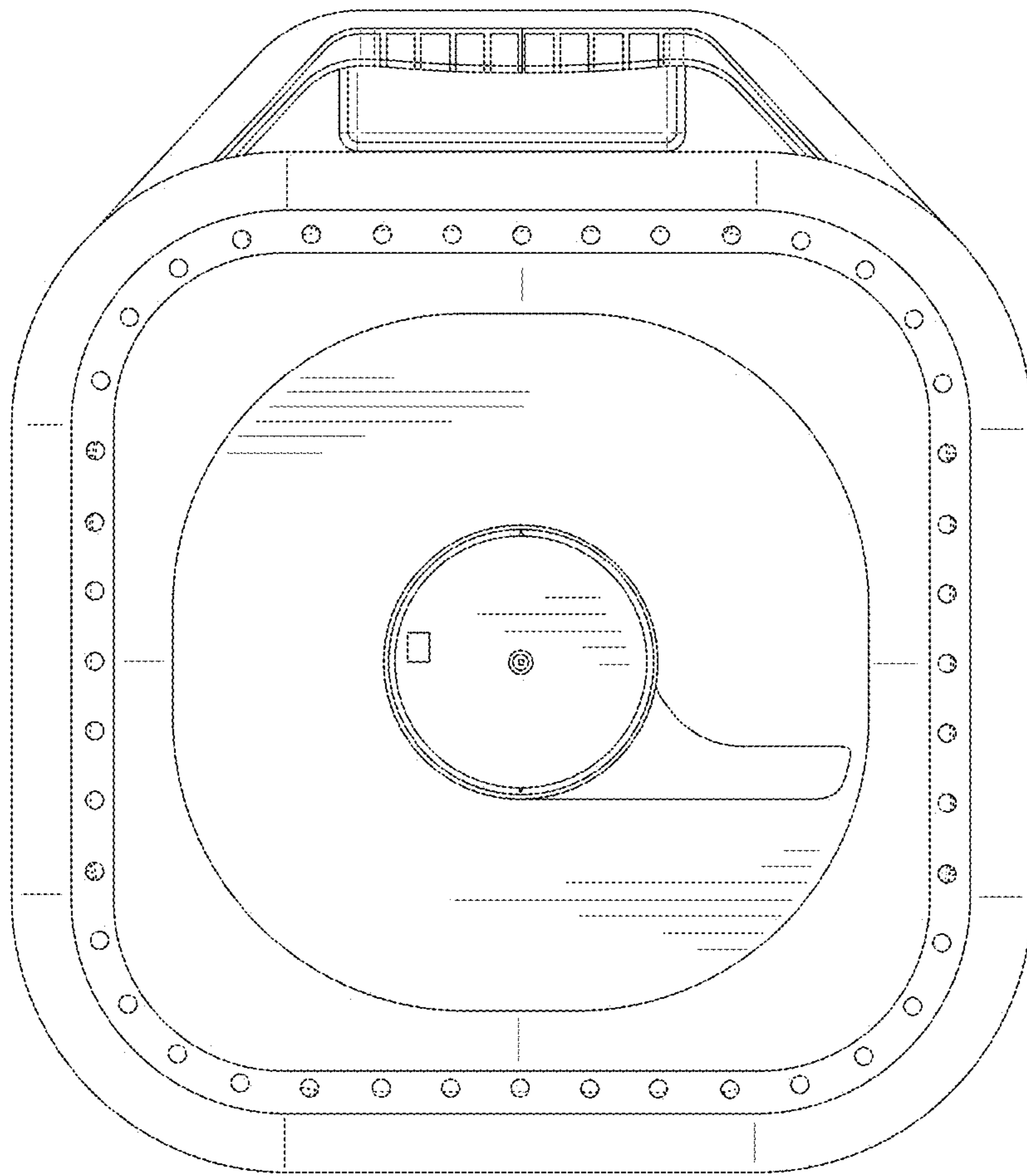


Fig. 8

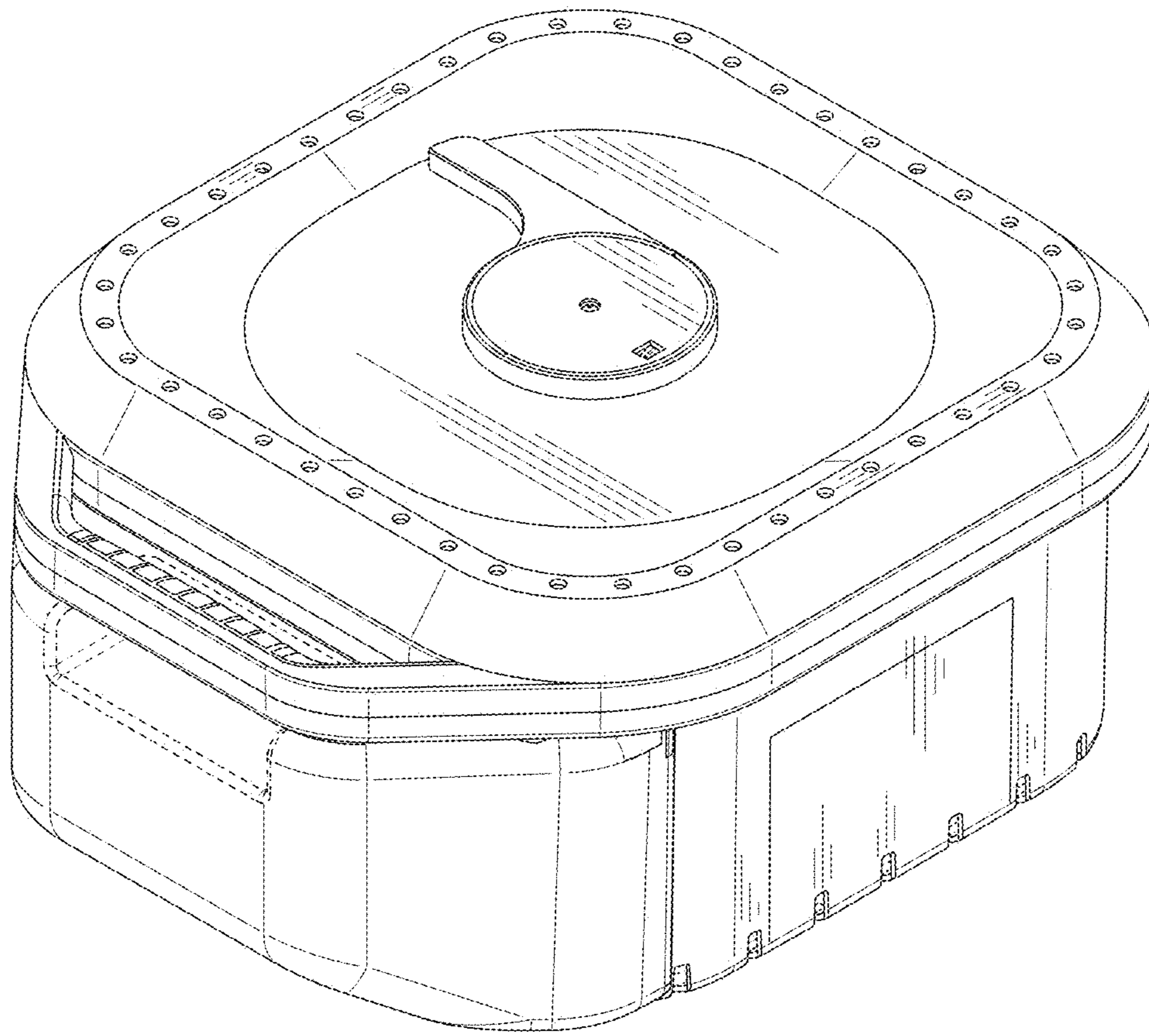


Fig. 9

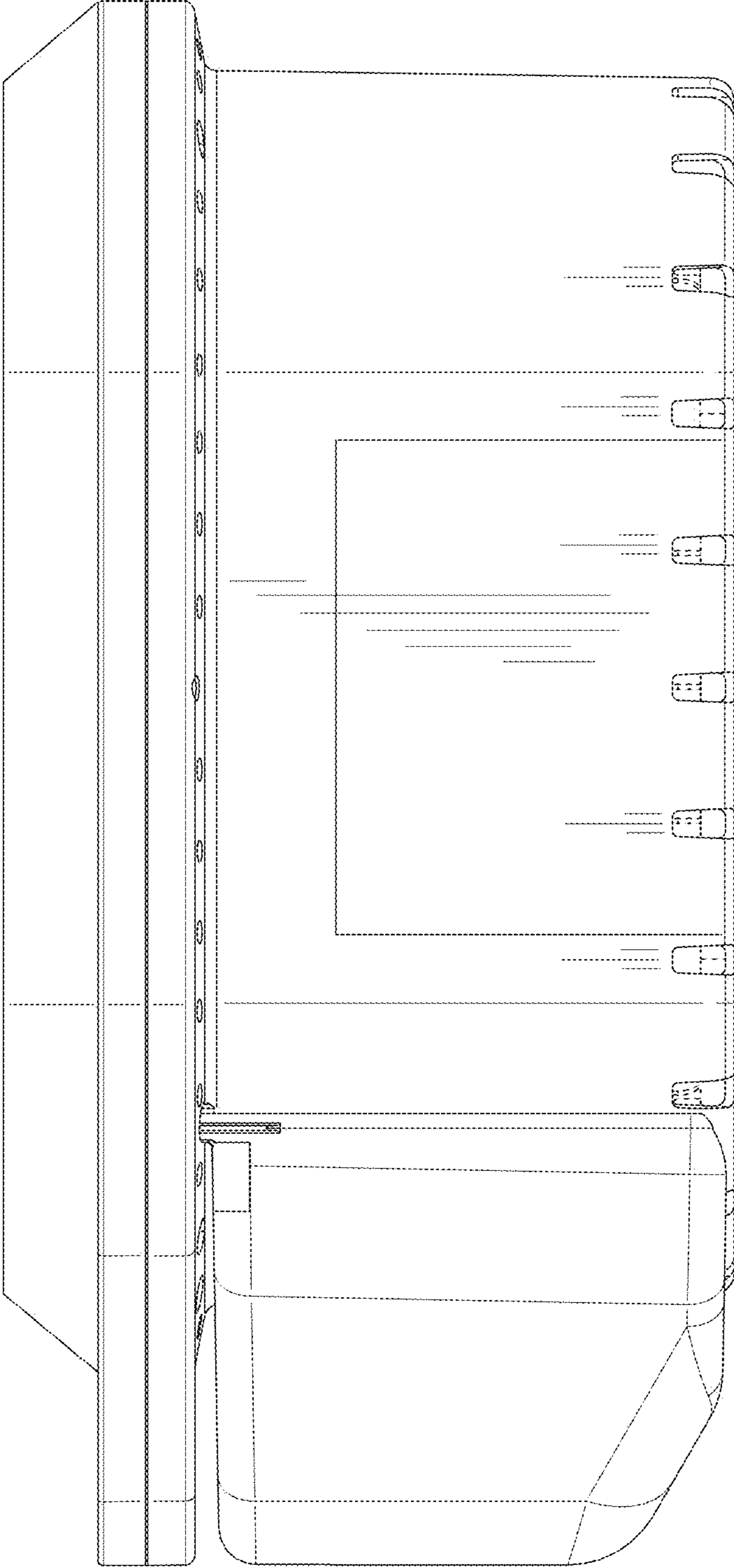


Fig. 10

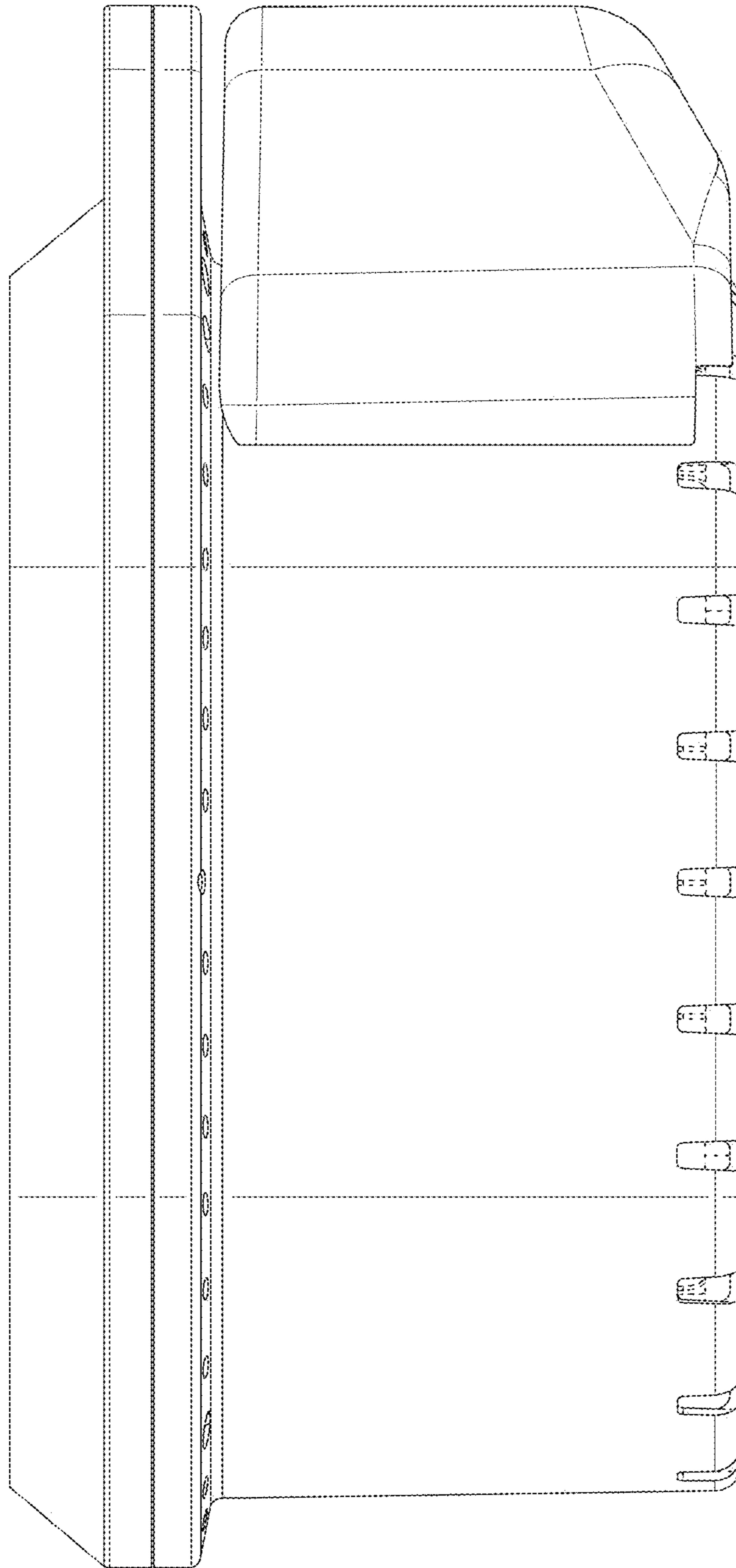


Fig. 11

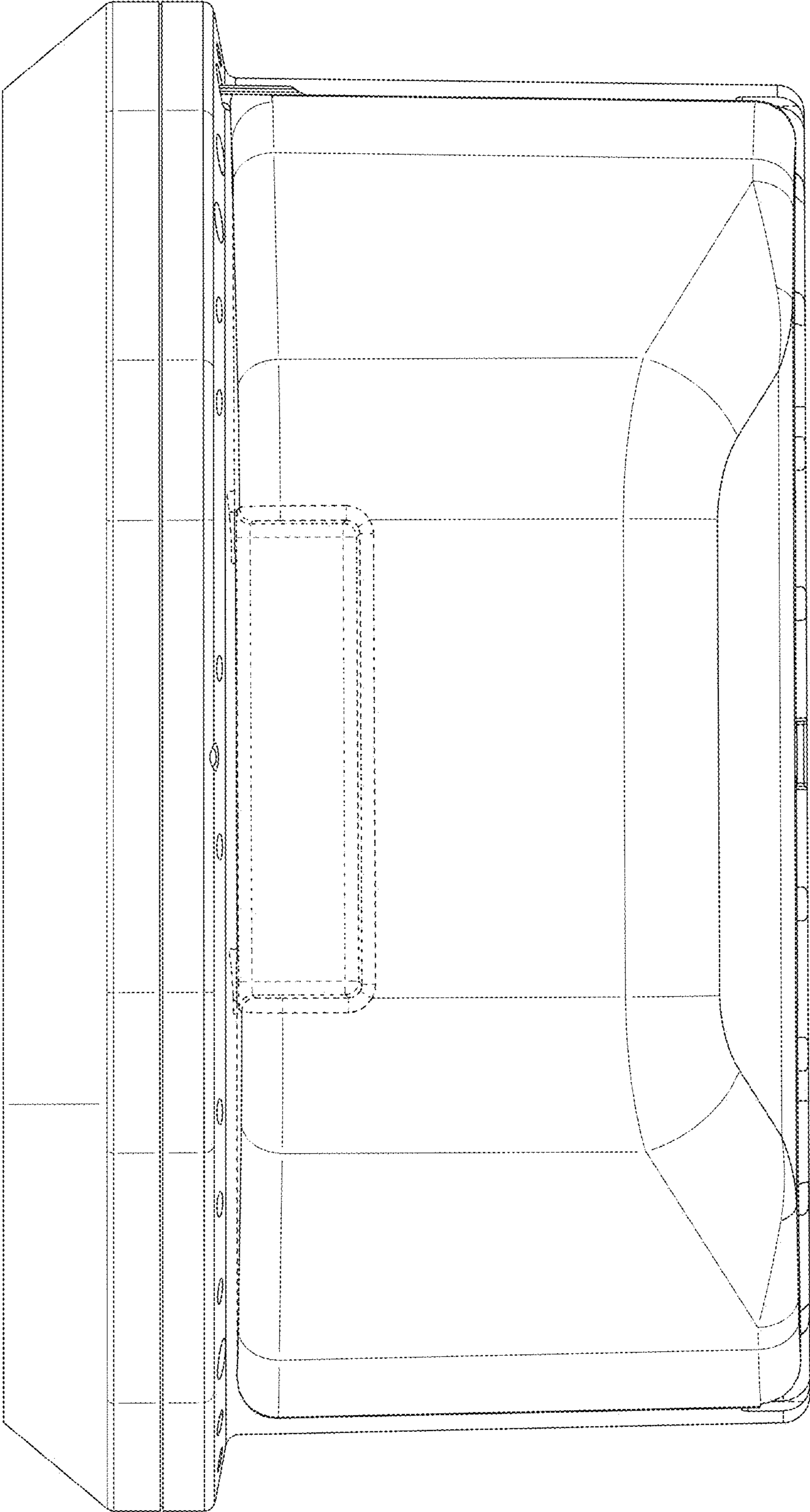


Fig. 12

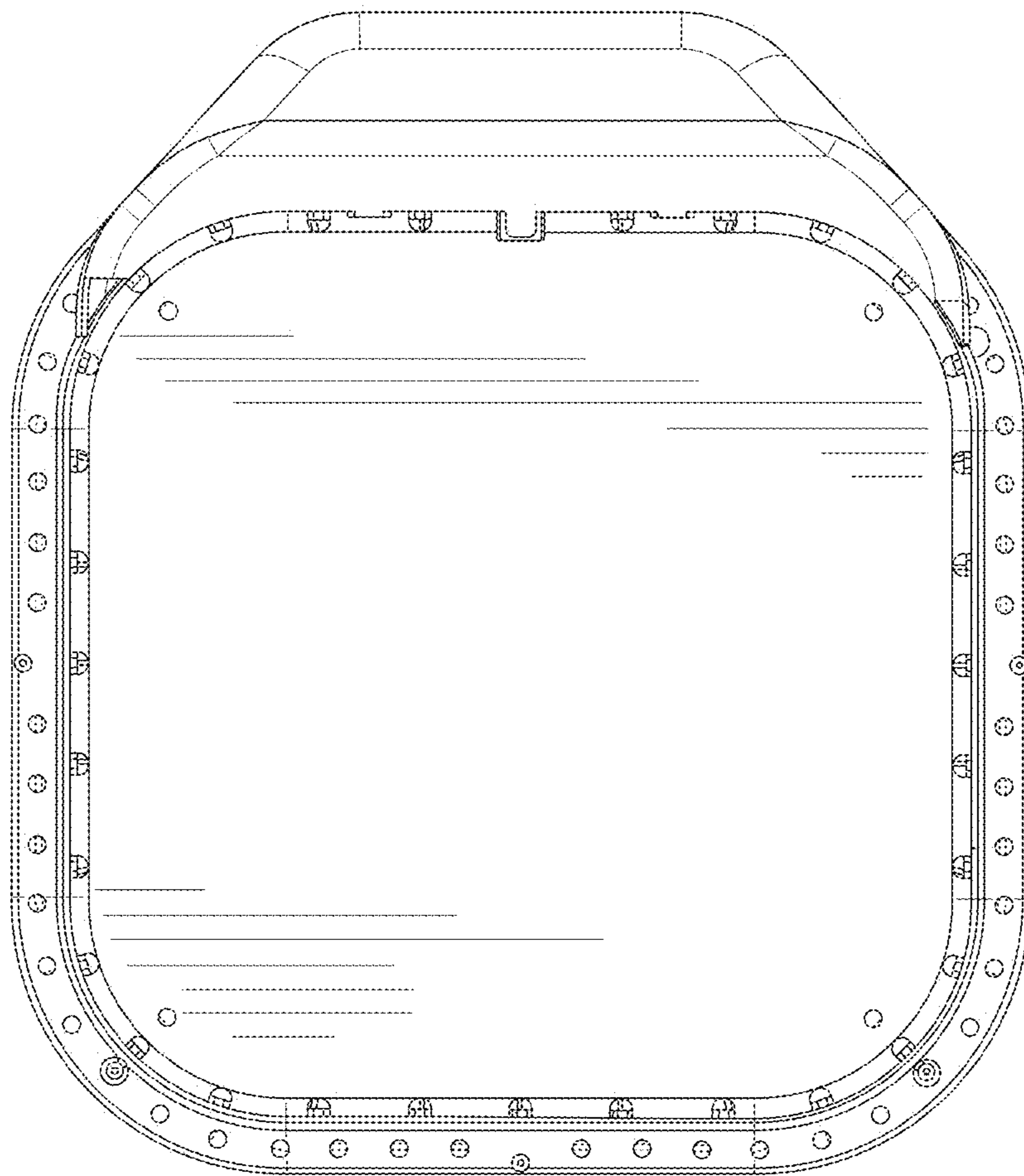


Fig. 13

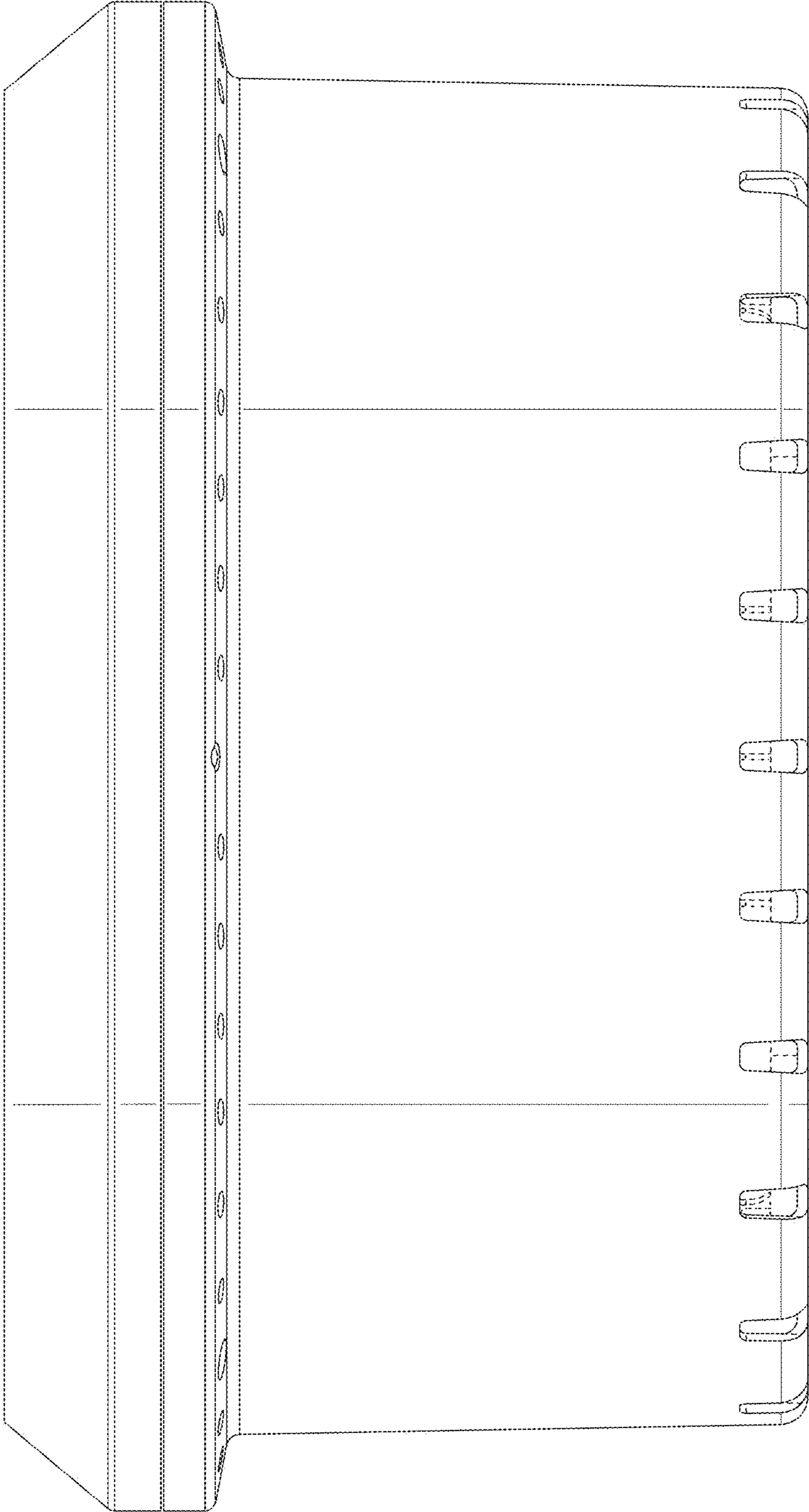


Fig. 14