



US00D924402S

(12) **United States Design Patent** (10) **Patent No.:** **US D924,402 S**
Elazar et al. (45) **Date of Patent:** **** Jul. 6, 2021**

(54) **DENTAL INSTRUMENT** 4,252,522 A * 2/1981 Petty A61B 1/247
433/30
(71) Applicant: **Dental SmartMirror, Inc.**, Chicago, IL D281,718 S * 12/1985 Holstad D24/139
(US) 5,052,925 A 10/1991 Stalcup
D329,899 S 9/1992 Rihani
5,328,370 A 7/1994 Chen
5,348,470 A * 9/1994 McGowan A61B 1/247
433/29
(72) Inventors: **Gidon Oded Elazar**, Cohav Yair (IL); 5,622,492 A * 4/1997 Eli A61B 1/24
Dan Zidkiahu Harkabi, Moshav 433/3
Lachish (IL); **Eitan Sharif**, Kibbutz
Gesher Haziv (IL)
(73) Assignee: **Dental SmartMirror, Inc.**, Chicago, IL D382,641 S 8/1997 Gore
(US) D437,936 S 2/2001 Guy
D475,784 S 6/2003 Latone et al.
9,636,008 B1 5/2017 Elazar et al.
D879,291 S * 3/2020 Elazar D24/152
2005/0227198 A1 10/2005 Martin
(**) Term: **15 Years** (Continued)

(21) Appl. No.: **29/713,218**
(22) Filed: **Nov. 14, 2019**

Related U.S. Application Data

(63) Continuation of application No. 29/648,560, filed on May 22, 2018, now Pat. No. Des. 869,654.
(51) **LOC (13) Cl.** **24-02**
(52) **U.S. Cl.**
USPC **D24/152**; D24/139
(58) **Field of Classification Search**
USPC D24/152, 176, 139
CPC A61B 1/247; A61B 1/253; A61B 1/00195;
A61B 1/00009; A61B 1/05; A61B 1/06;
A61B 1/24; A61B 5/0088; A61C 3/00;
H04N 5/2256
See application file for complete search history.

(56) **References Cited**

U.S. PATENT DOCUMENTS

2,627,206 A 2/1953 Clark
3,031,930 A * 5/1962 Emanuel Kafig A61B 1/247
359/882
3,376,644 A 4/1968 Clark
D231,463 S 4/1974 Rudnick
D238,281 S * 12/1975 Cali D24/139

OTHER PUBLICATIONS

Osung, Osung D-MFCS-04H Front Surface Dental Mirror with Handle #4, Cone Socket, Amazon.com, Mar. 28, 2015, Available at <https://www.amazon.com/Osung-D-MFCS-04H-Surface-Dental-Mirror/dp/B004SH8T4A>.

Primary Examiner — Wan Laymon

(74) *Attorney, Agent, or Firm* — Sterne, Kessler, Goldstein & Fox P.L.L.C.

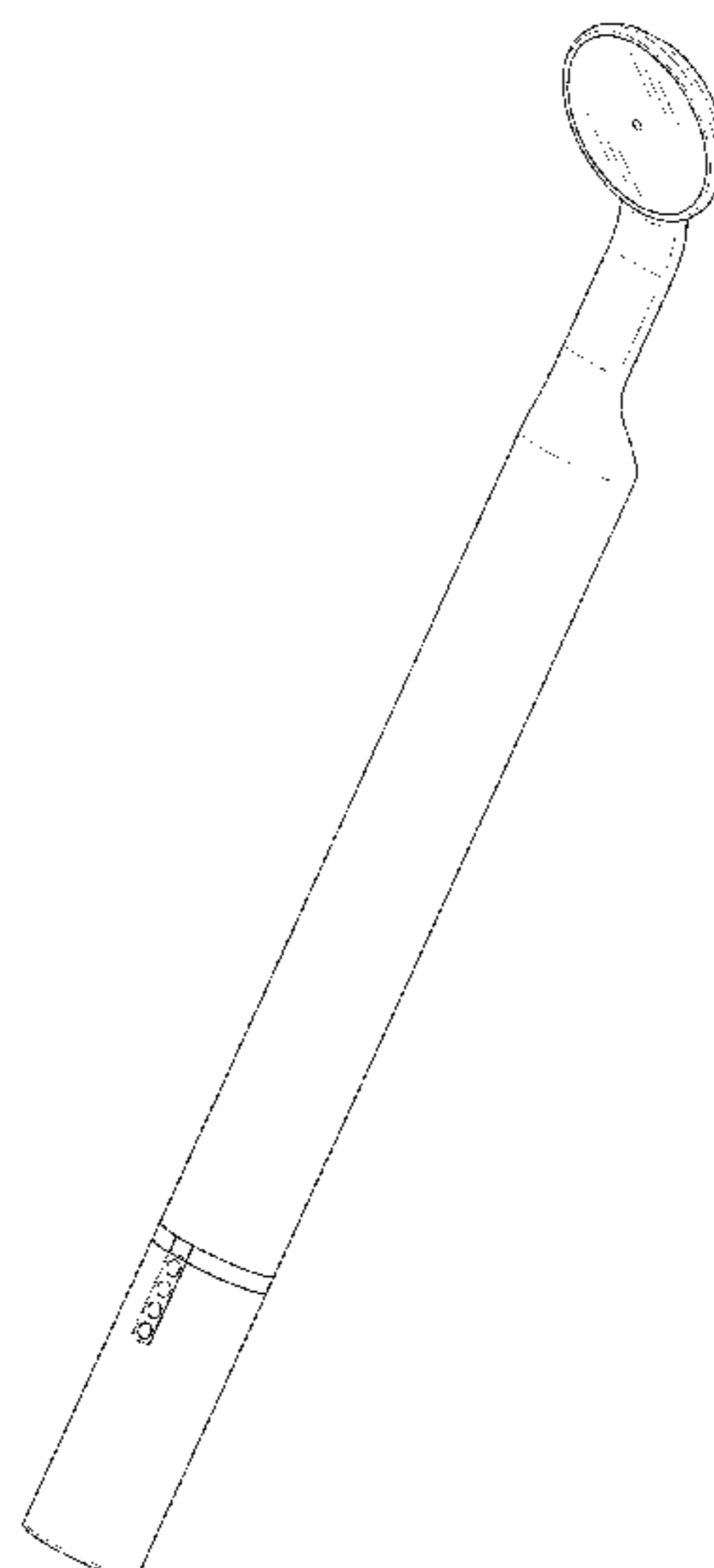
(57) **CLAIM**

The ornamental design for a dental instrument, as shown and described.

DESCRIPTION

FIG. 1 is a perspective view of a dental instrument showing the claimed design;
FIG. 2 is a front perspective view thereof;
FIG. 3 is a rear perspective view thereof;
FIG. 4 is a left side view thereof;
FIG. 5 is a right side view thereof;
FIG. 6 is a top perspective view thereof; and,
FIG. 7 is a bottom perspective view thereof.

1 Claim, 5 Drawing Sheets



(56)

References Cited

U.S. PATENT DOCUMENTS

2007/0287123 A1* 12/2007 Swift A61B 1/247
433/30
2009/0118624 A1* 5/2009 Bride A61B 5/0088
600/476
2010/0279249 A1 11/2010 Lin
2017/0079517 A1 3/2017 Ozcan et al.
2017/0340196 A1* 11/2017 Elazar A61B 1/06
2018/0263483 A1 9/2018 Elazar

* cited by examiner

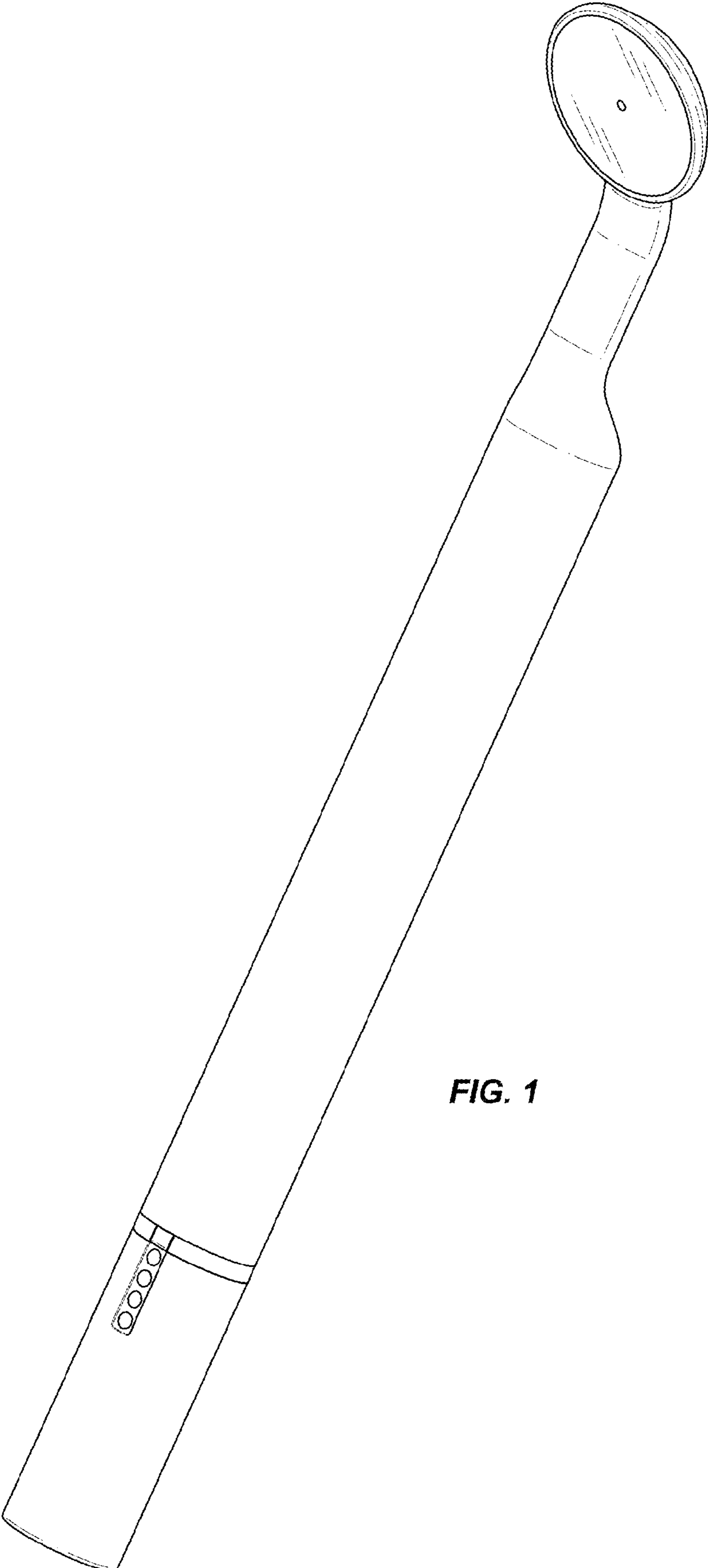


FIG. 1

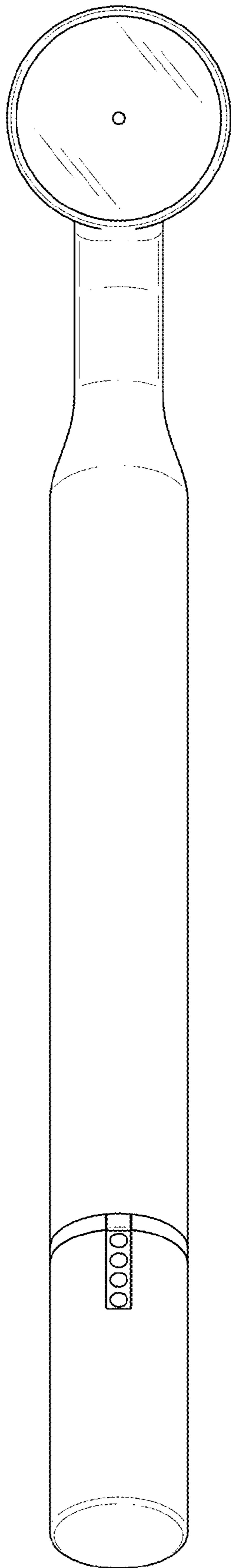


FIG. 2

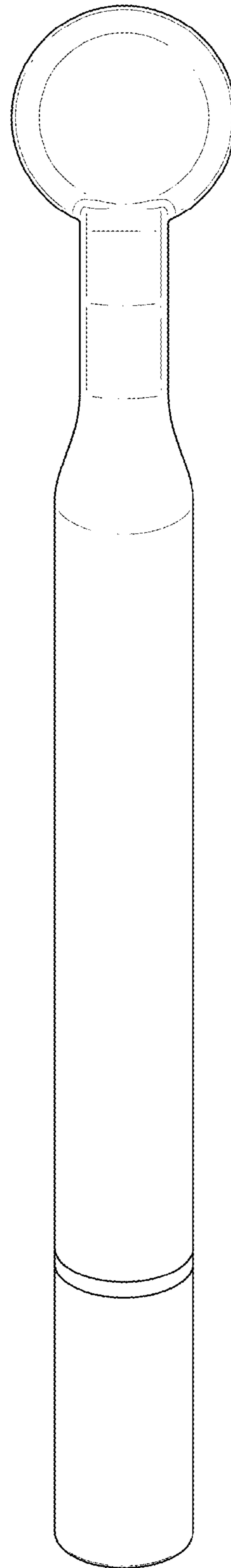


FIG. 3

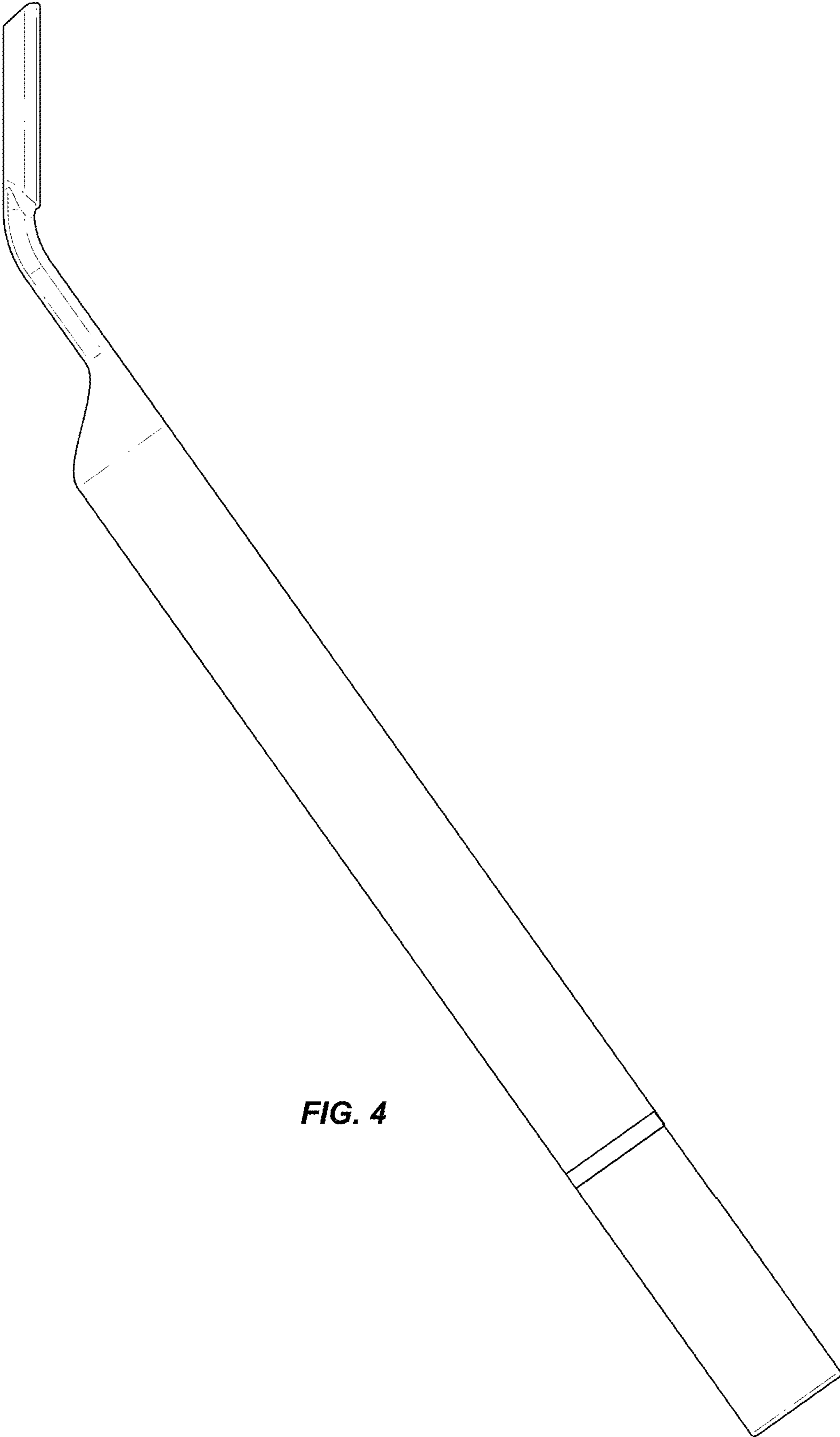


FIG. 4

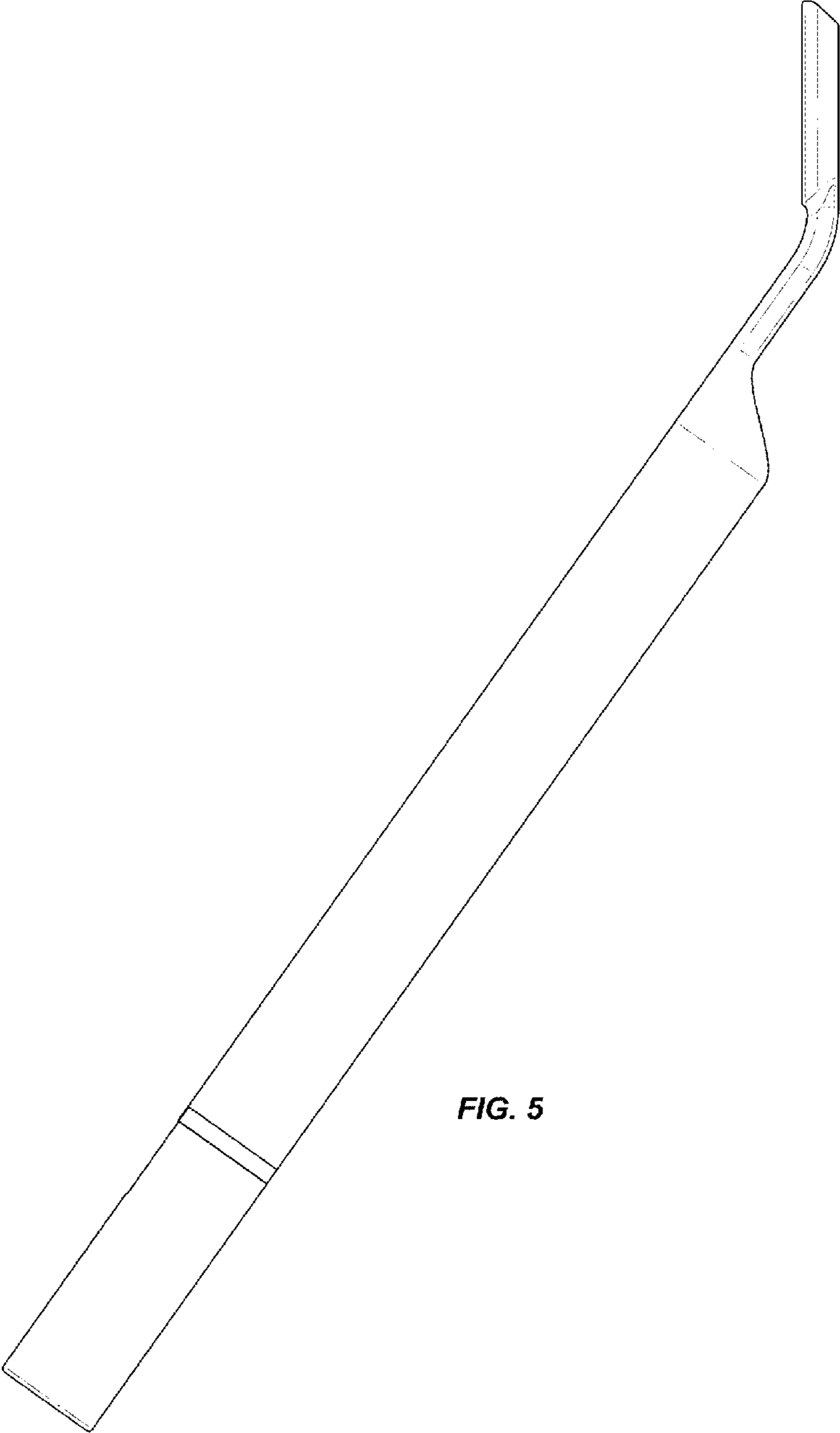


FIG. 5

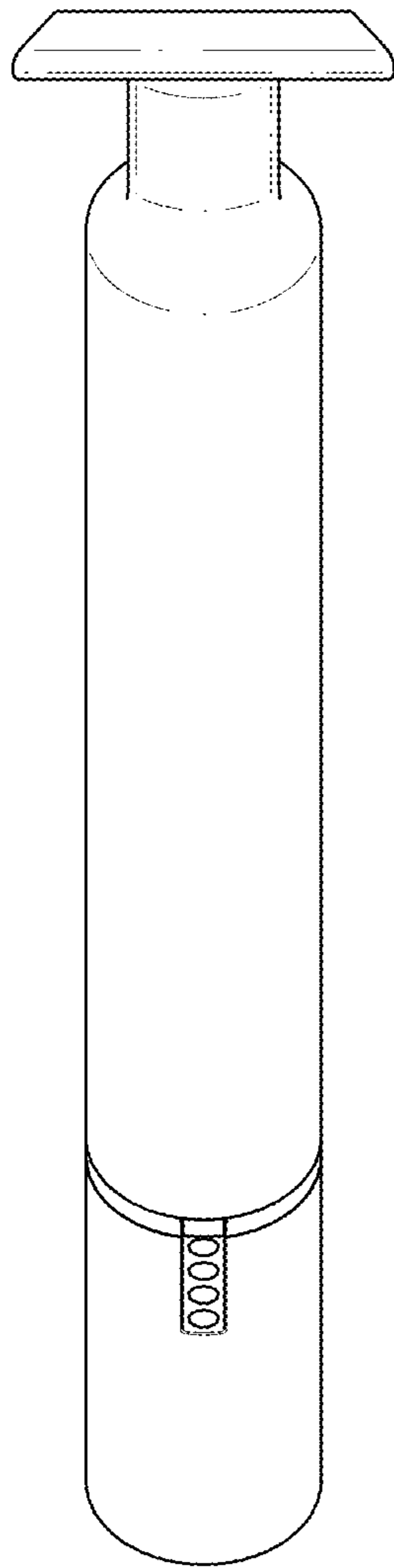


FIG. 6

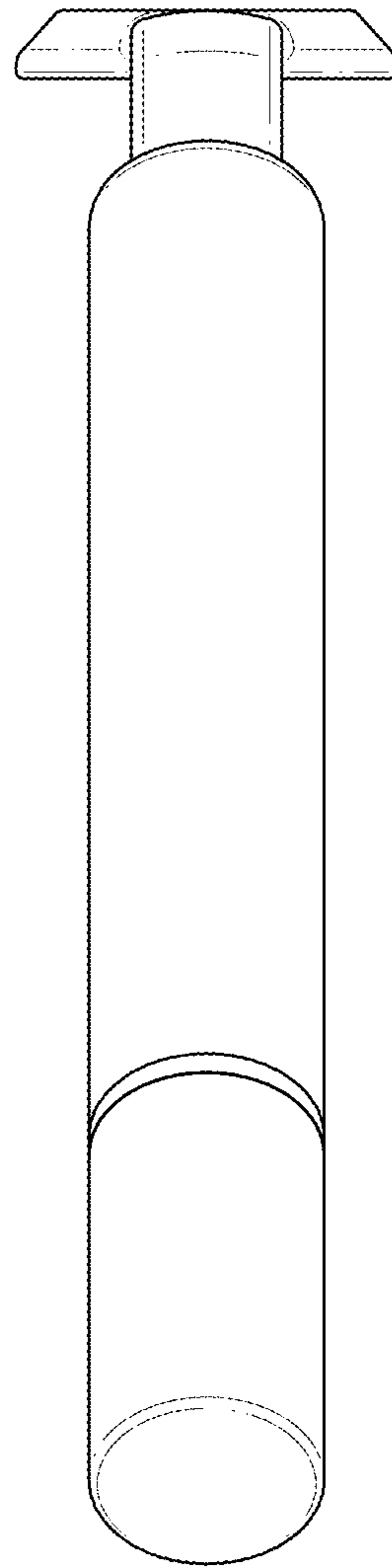


FIG. 7