



US00D924399S

(12) **United States Design Patent**
Conklin

(10) **Patent No.:** **US D924,399 S**

(45) **Date of Patent:** **** Jul. 6, 2021**

(54) **COLLAPSIBLE HEART VALVE SIZER**

(71) Applicant: **Edwards Lifesciences Corporation**,
Irvine, CA (US)

(72) Inventor: **Brian S. Conklin**, Orange, CA (US)

(73) Assignee: **Edwards Lifesciences Corporation**,
Irvine, CA (US)

(**) Term: **15 Years**

(21) Appl. No.: **29/767,762**

(22) Filed: **Jan. 25, 2021**

Related U.S. Application Data

(62) Division of application No. 29/656,209, filed on Jul. 11, 2018, now Pat. No. Des. 908,874.

(51) **LOC (13) Cl.** **24-03**

(52) **U.S. Cl.**
USPC **D24/140; D24/155**

(58) **Field of Classification Search**
USPC D24/140, 155
CPC A61F 2/07; A61F 2/90; A61F 2/958; A61F
2002/016; A61F 2002/072; A61F
2002/075; A61F 2002/91541; A61F
2220/0075; A61F 2230/0069
See application file for complete search history.

(56) **References Cited**

U.S. PATENT DOCUMENTS

1,934,513 A * 11/1933 Schulte A61D 1/08
606/122
D284,889 S * 7/1986 Kenna D24/140

5,489,296 A * 2/1996 Love A61F 2/2496
600/587
6,350,281 B1 * 2/2002 Rhee A61B 5/1076
33/512
6,678,962 B1 * 1/2004 Love A61B 5/1076
33/512
8,317,696 B2 * 11/2012 Paolitto A61F 2/2496
600/235
D723,164 S * 2/2015 Leedy D24/155
D744,097 S * 11/2015 Baratz D24/133
D827,134 S * 8/2018 Matsumura D24/140
D846,122 S * 4/2019 Pintor D24/140
2010/0160832 A1 * 6/2010 Braido A61B 5/1076
600/587
2020/0138569 A1 * 5/2020 Basude A61F 2/2466

* cited by examiner

Primary Examiner — Charles D Hanson

(74) *Attorney, Agent, or Firm* — Edwards Lifesciences

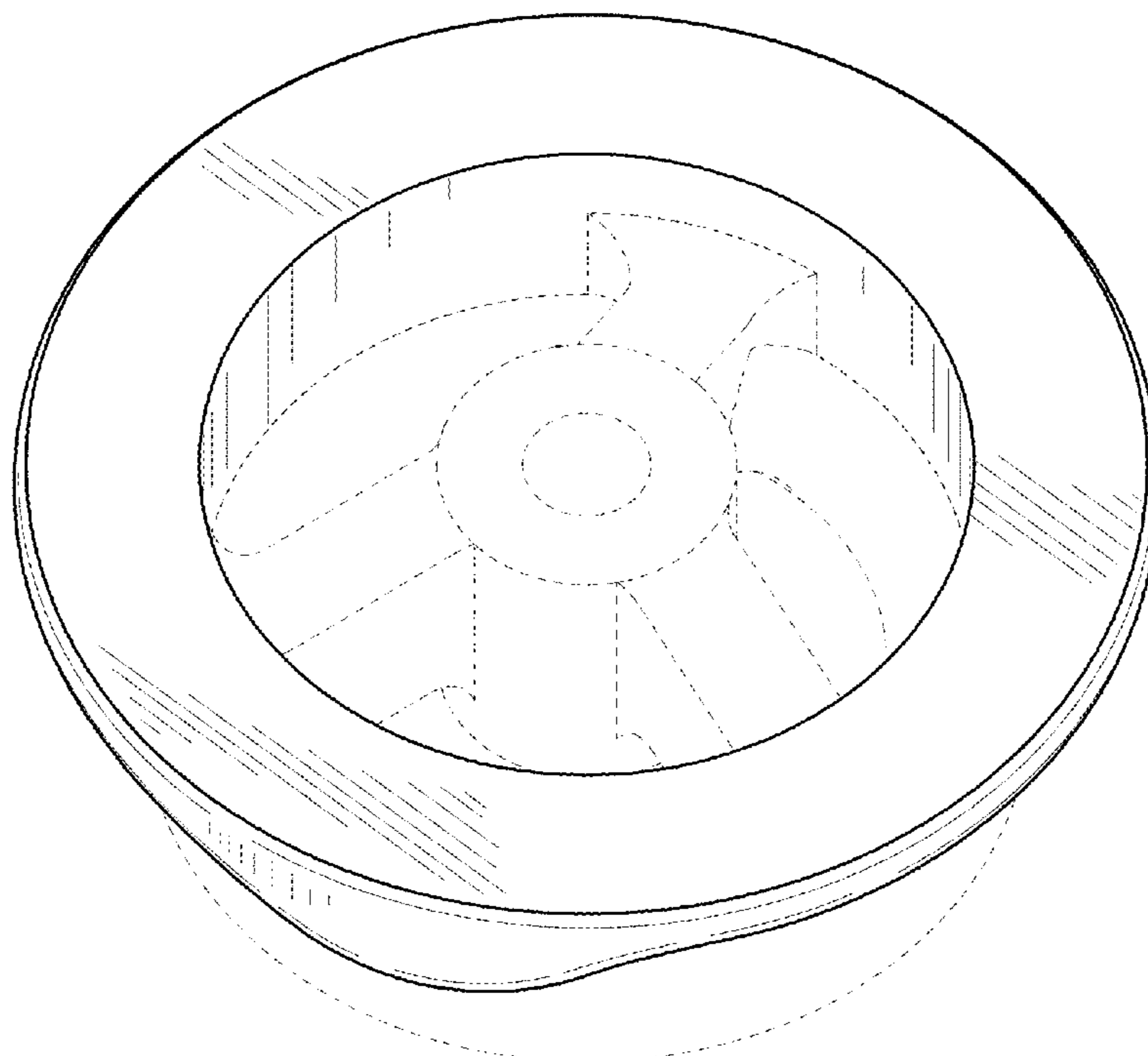
(57) **CLAIM**

The ornamental design for a collapsible heart valve sizer, as shown and described.

DESCRIPTION

FIG. 1 is a top perspective view of a collapsible heart valve sizer in accordance with a second embodiment. FIG. 2 is a bottom perspective view thereof. FIG. 3 is a front elevation view thereof. FIG. 4 is a right side elevation view thereof. FIG. 5 is a rear elevation view thereof. FIG. 6 is left side elevation view thereof. FIG. 7 is a top plan view thereof; and, FIG. 8 is a bottom plan view thereof.

1 Claim, 3 Drawing Sheets



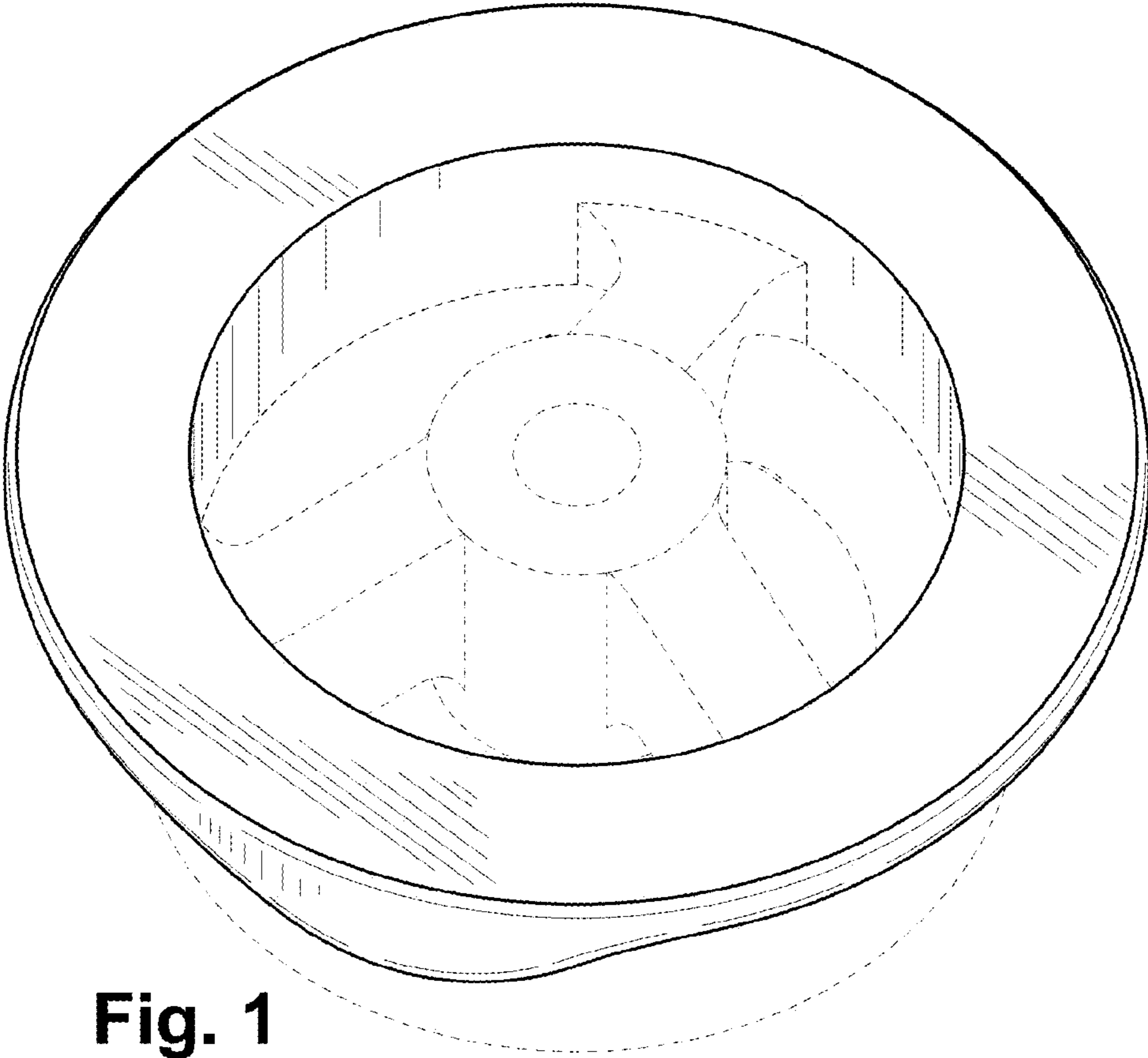


Fig. 1

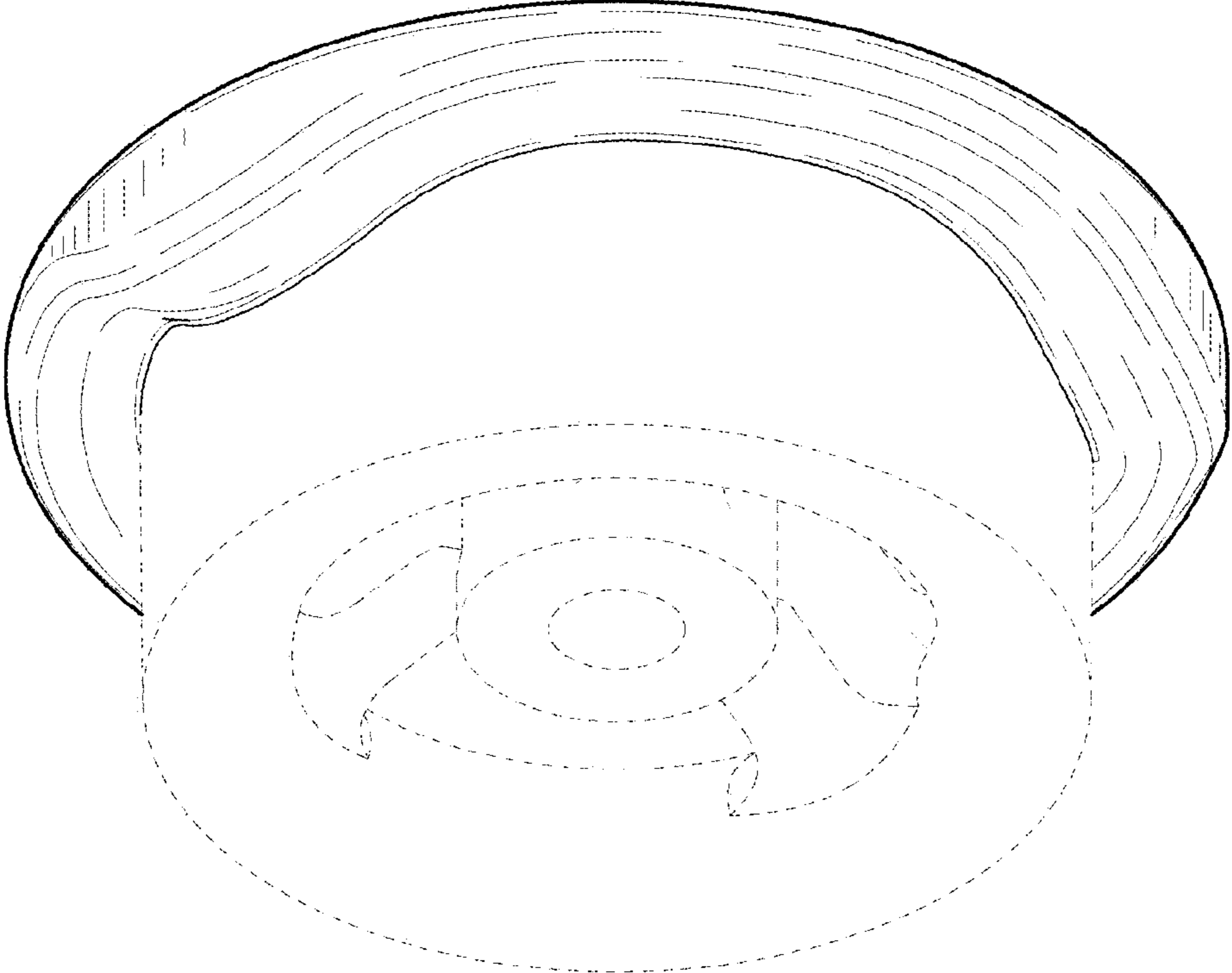


Fig. 2

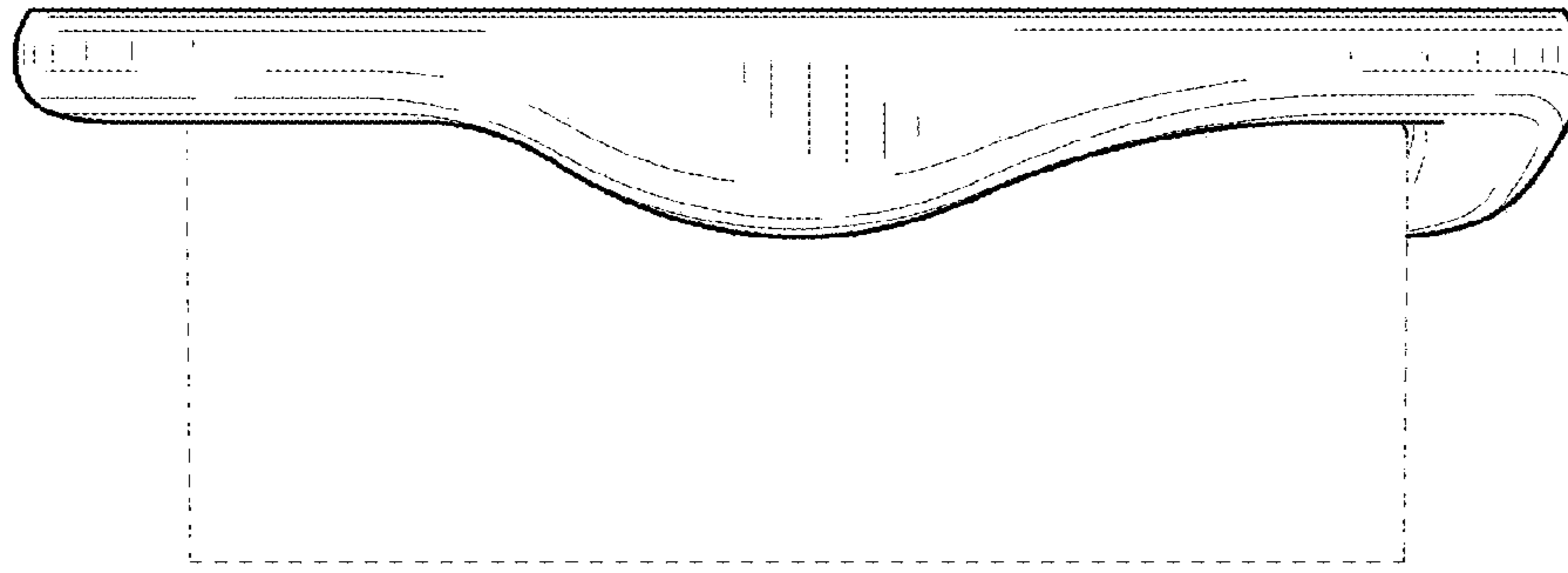


Fig. 3

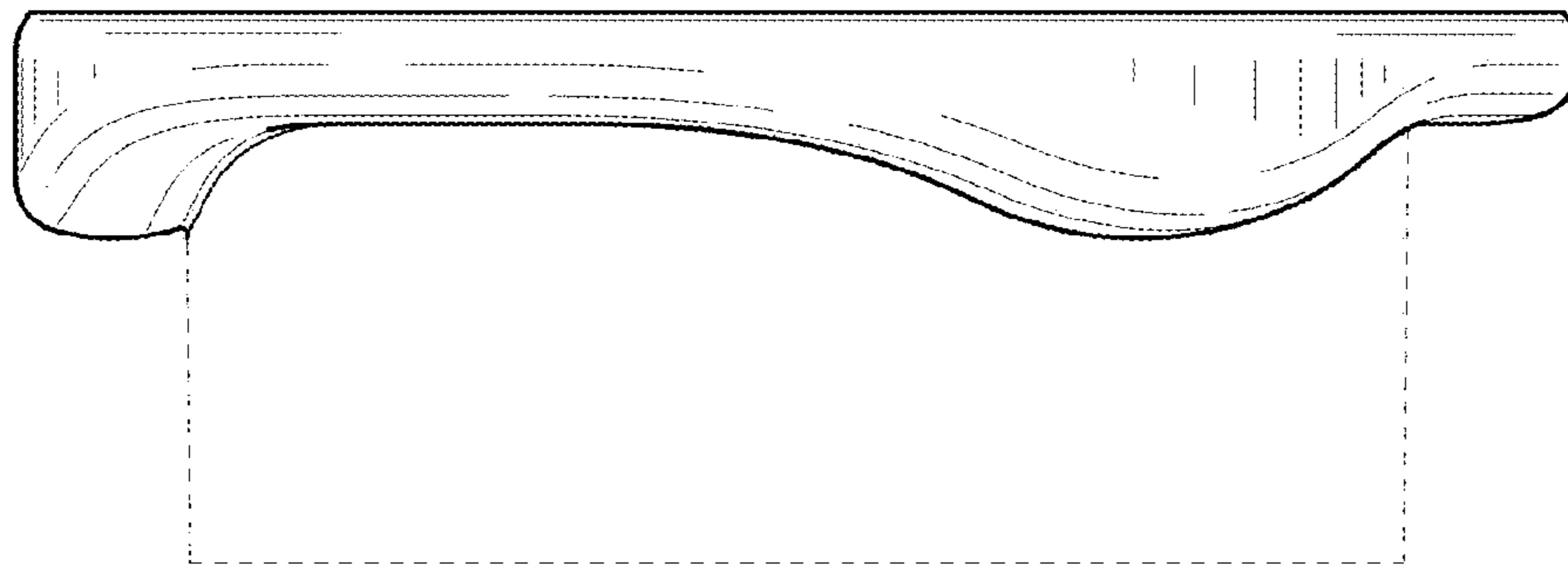


Fig. 4

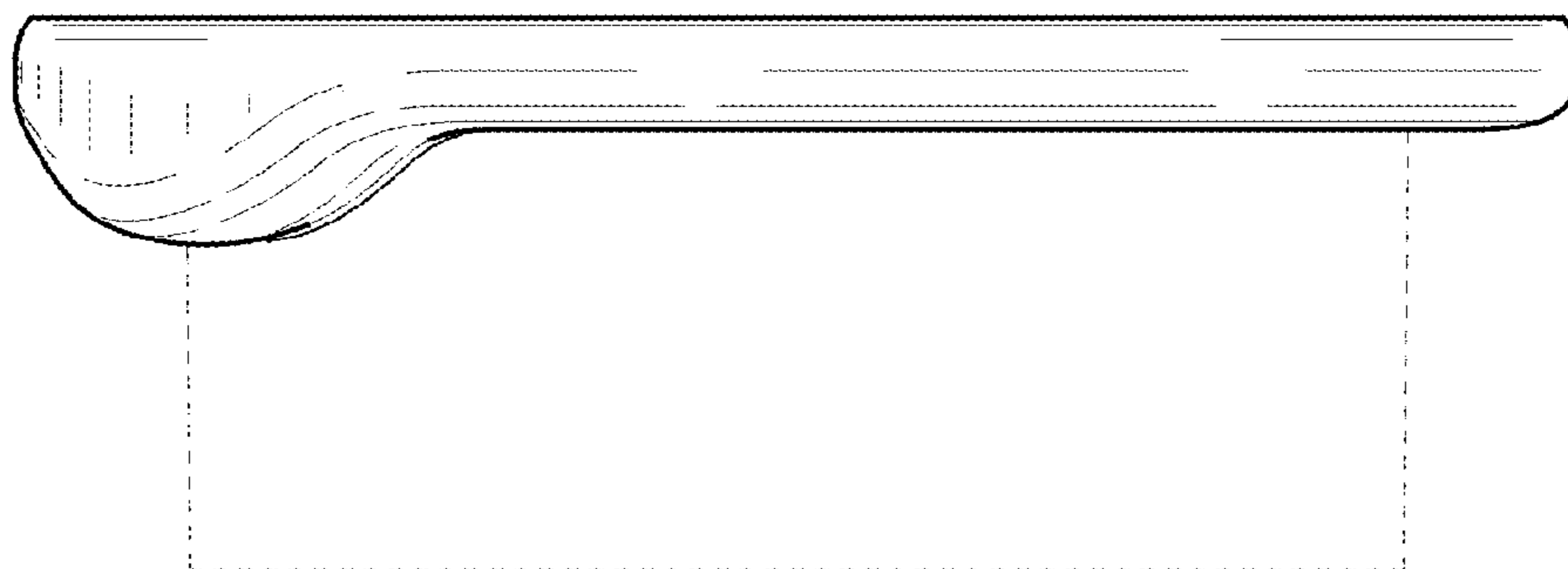


Fig. 5

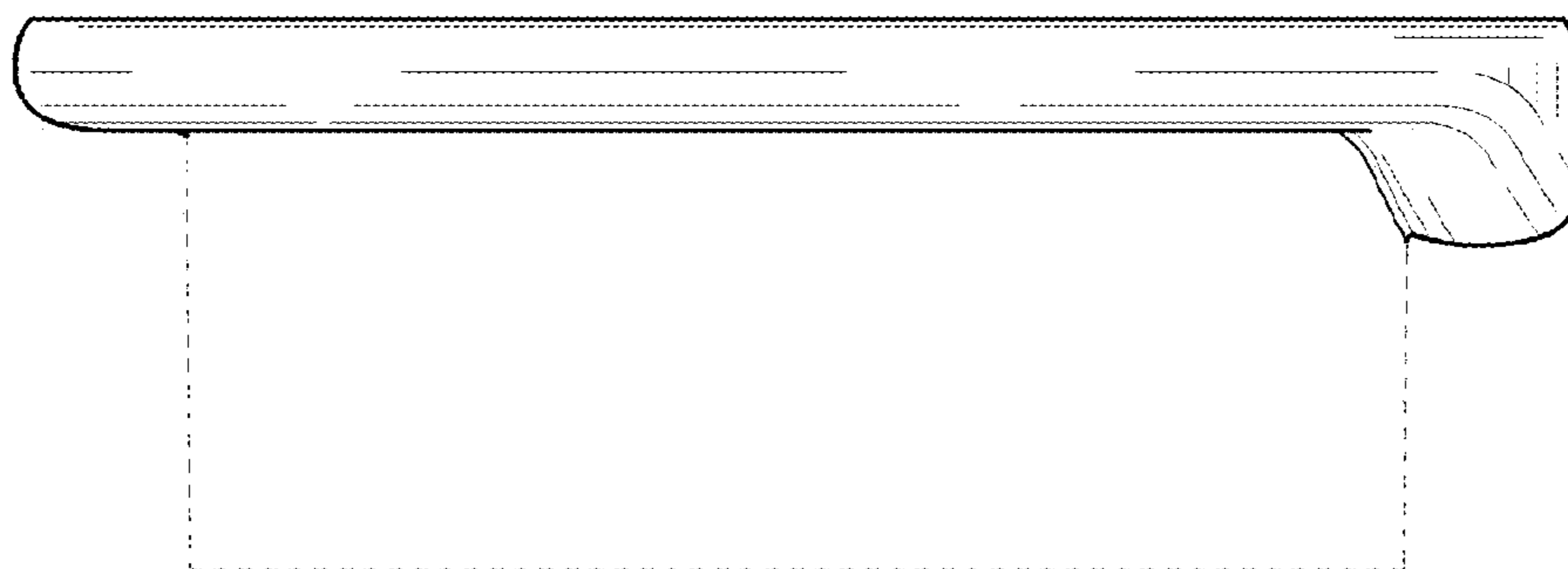


Fig. 6

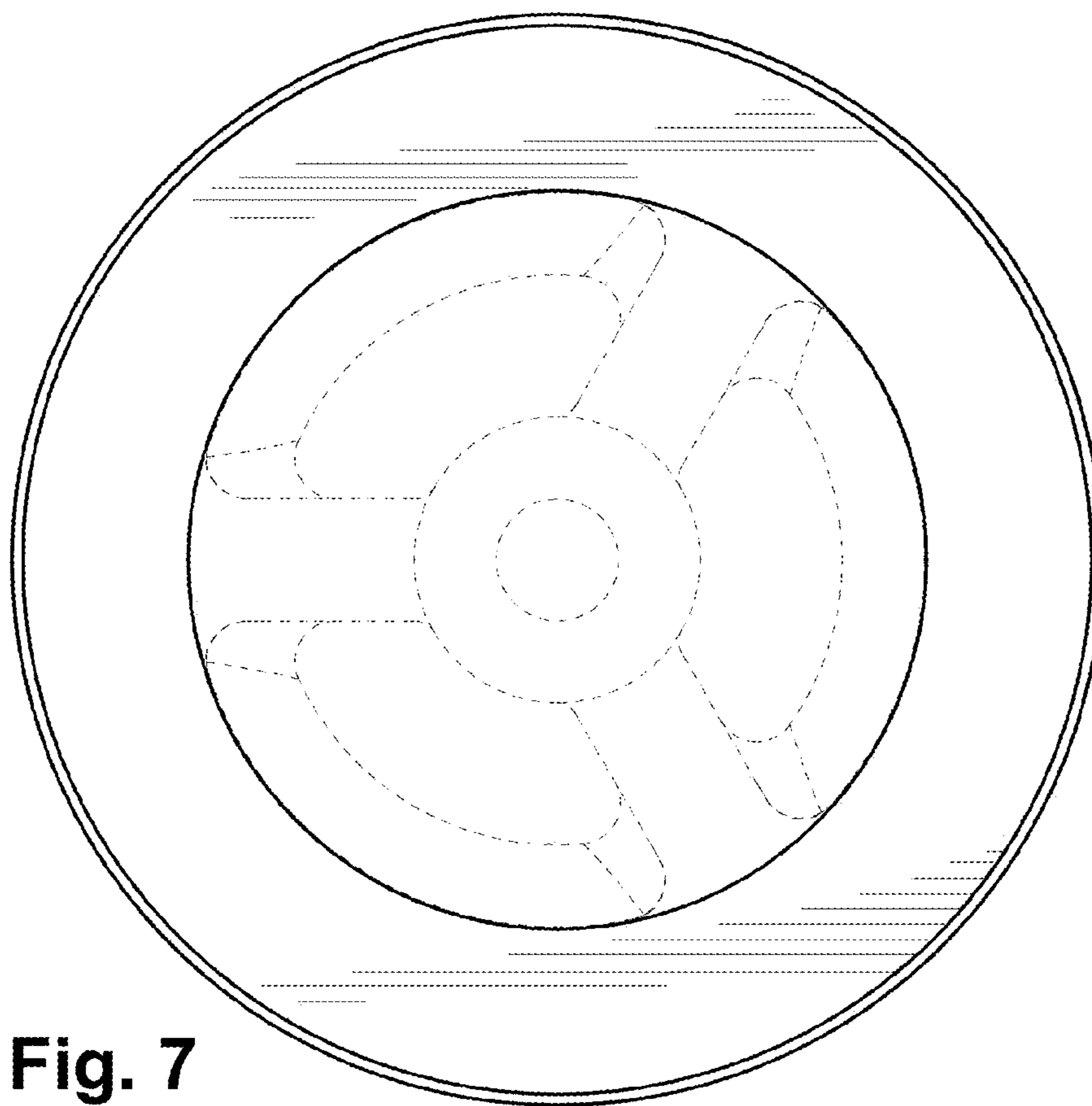


Fig. 7

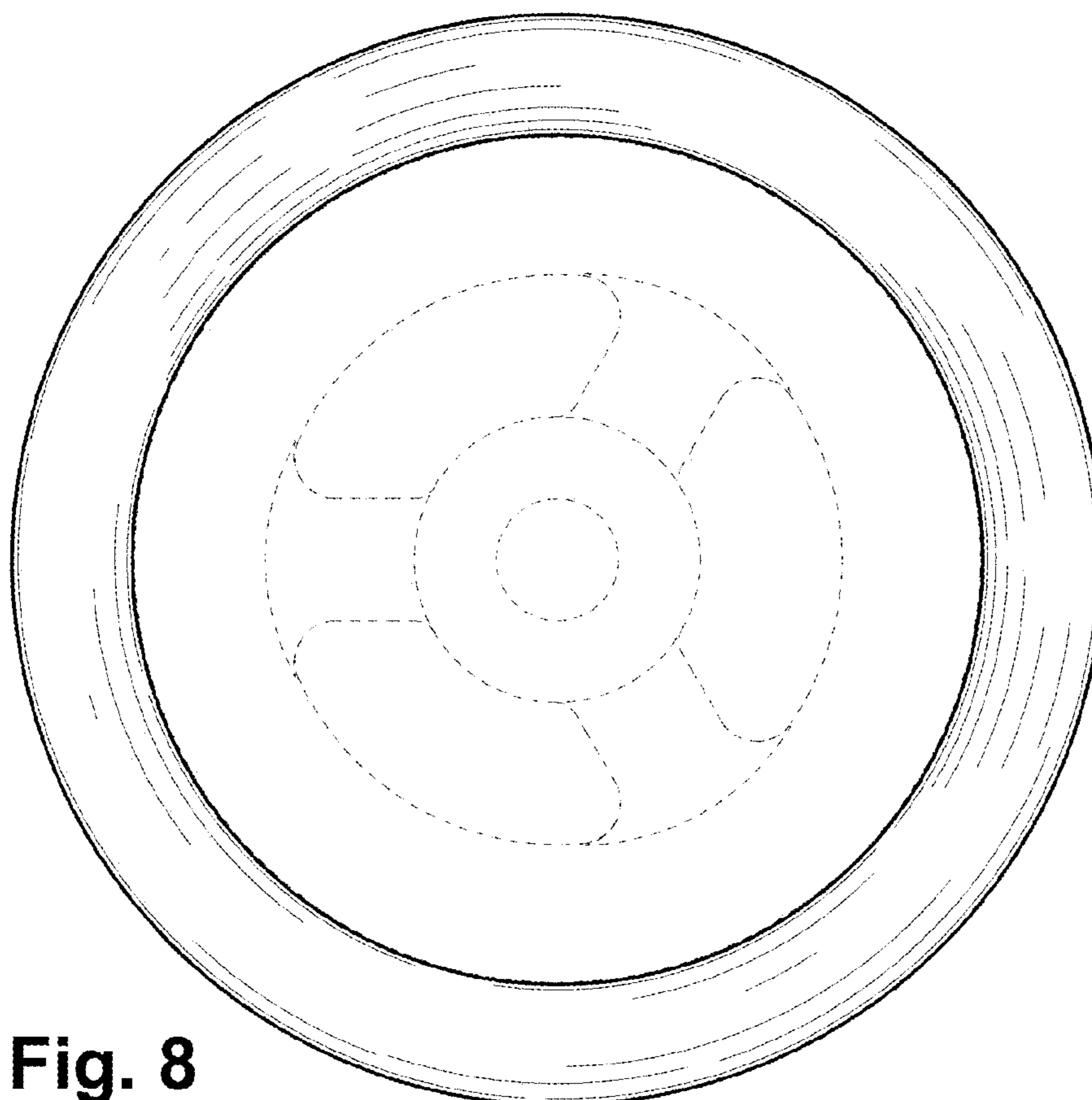


Fig. 8