



US00D924397S

(12) **United States Design Patent**  
**Lalli et al.**

(10) **Patent No.:** **US D924,397 S**  
(45) **Date of Patent:** **\*\* Jul. 6, 2021**

(54) **MEDICAL DEVICE SLEEVE**

**DESCRIPTION**

- (71) Applicant: **CEEK WOMEN’S HEALTH, INC.**,  
Portland, OR (US)
- (72) Inventors: **Maria Lalli**, Portland, OR (US);  
**Christian Freissler**, Portland, OR (US);  
**Katie Lee**, Portland, OR (US); **Ute**  
**Peppersack**, Cologne (DE)
- (73) Assignee: **CEEK Women’s Health, Inc.**,  
Portland, OR (US)
- (\*\*) Term: **15 Years**
- (21) Appl. No.: **29/666,349**
- (22) Filed: **Oct. 11, 2018**
- (51) **LOC (13) Cl.** ..... **24-02**
- (52) **U.S. Cl.**  
USPC ..... **D24/135**
- (58) **Field of Classification Search**  
USPC ..... D24/107, 108, 119, 127, 128, 133, 135,  
D24/140, 141, 187, 215; 600/220; D8/2,  
D8/14, 354; D23/393; 439/586

FIG. 1 is a front, left side, and top perspective view of a first embodiment of a component of a medical device sleeve of our design;  
 FIG. 2 is a rear, right side, and bottom perspective view thereof;  
 FIG. 3 is a top view thereof;  
 FIG. 4 is a bottom view thereof;  
 FIG. 5 is a left side view thereof;  
 FIG. 6 is a right side view thereof;  
 FIG. 7 is a front view thereof; and  
 FIG. 8 is a rear view thereof.  
 FIG. 9 is a front, left side, and top perspective view of a second embodiment of a component of a medical device sleeve of our design;  
 FIG. 10 is a rear, right side, and bottom perspective view thereof;  
 FIG. 11 is a top view thereof;  
 FIG. 12 is a bottom view thereof;  
 FIG. 13 is a left side view thereof;  
 FIG. 14 is a right side view thereof;  
 FIG. 15 is a front view thereof; and  
 FIG. 16 is a rear view thereof.  
 FIG. 17 is a front, left side, and top perspective view of a third embodiment of a component of a medical device sleeve of our design;  
 FIG. 18 is a rear, right side, and bottom perspective view thereof;  
 FIG. 19 is a top view thereof;  
 FIG. 20 is a bottom view thereof;  
 FIG. 21 is a left side view thereof;  
 FIG. 22 is a right side view thereof;  
 FIG. 23 is a front view thereof; and  
 FIG. 24 is a rear view thereof.  
 FIG. 25 is a front, left side, and top perspective view of a fourth embodiment of a component of a medical device sleeve of our design;  
 FIG. 26 is a rear, right side, and bottom perspective view thereof;  
 FIG. 27 is a top view thereof;  
 FIG. 28 is a bottom view thereof;  
 FIG. 29 is a left side view thereof;  
 FIG. 30 is a right side view thereof;

(Continued)

(56) **References Cited**

**U.S. PATENT DOCUMENTS**

- 2,797,684 A \* 7/1957 Moore ..... A61B 1/227  
600/200
- 5,823,008 A \* 10/1998 Nikai ..... F24F 5/0085  
62/401

(Continued)

*Primary Examiner* — Wan Laymon  
*Assistant Examiner* — Clint A Samuel  
 (74) *Attorney, Agent, or Firm* — Mintz Levin Cohn Ferris  
 Glovsky and Popeo P.C.

(57) **CLAIM**

The ornamental design for a medical device sleeve, as shown and described.

(Continued)

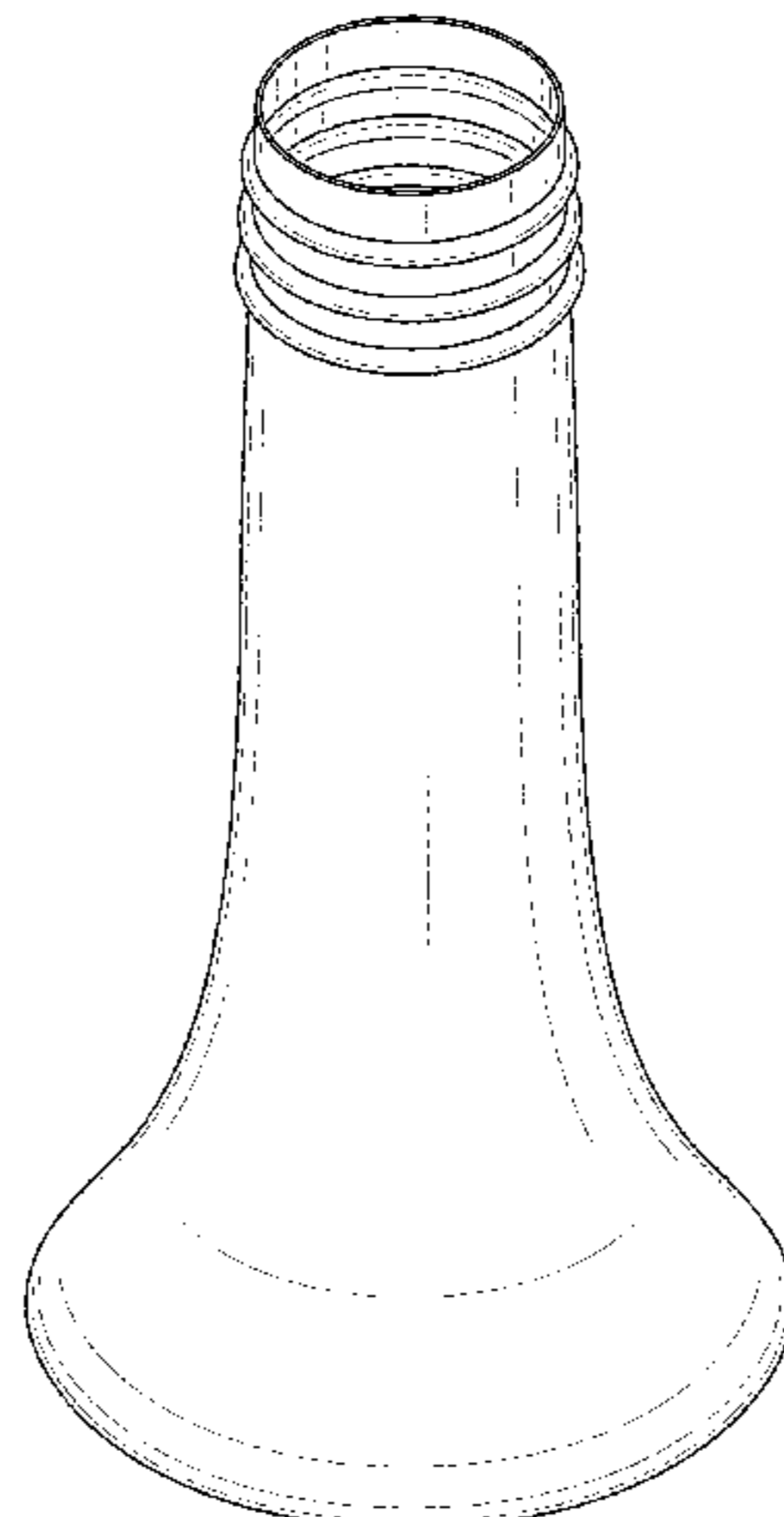


FIG. 31 is a front view thereof; and,  
 FIG. 32 is a rear view thereof.  
 The dash-dash broken lines shown in drawings are included  
 for the purpose of illustrating portions of the medical device  
 sleeve, and form no part of the claimed design.

**1 Claim, 24 Drawing Sheets**

(58) **Field of Classification Search**

CPC . A61B 1/00154; A61B 1/00142; A61B 17/00;  
 A61B 17/000491; A61B 17/3496; A61B  
 2017/00336; A61M 3/02; A61M 3/2079;  
 A61M 35/00; A61M 35/003; A61M  
 35/20; A61M 39/00; A61M 39/20  
 See application file for complete search history.

(56) **References Cited**

U.S. PATENT DOCUMENTS

D445,895 S \* 7/2001 Svendsen ..... D24/112  
 D475,447 S \* 6/2003 Stout, Jr. .... D23/393

D476,742 S \* 7/2003 Wilkinson ..... D24/108  
 D488,217 S \* 4/2004 Stout, Jr. .... D23/393  
 D488,859 S \* 4/2004 Stout, Jr. .... D23/393  
 D651,709 S \* 1/2012 Zeyfang ..... D24/127  
 D664,639 S \* 7/2012 Hoke ..... D24/108  
 D736,372 S \* 8/2015 Anderson ..... A61B 17/3423  
 D24/133  
 D745,347 S \* 12/2015 Gurwicz ..... D8/14  
 D750,779 S \* 3/2016 Ahluwalia ..... D24/141  
 D751,198 S \* 3/2016 Ahluwalia ..... D24/141  
 D768,293 S \* 10/2016 Sawicki ..... D24/119  
 D779,665 S \* 2/2017 Hasbun ..... D24/135  
 D785,166 S \* 4/2017 Sawicki ..... D24/119  
 D796,669 S \* 9/2017 Palmer ..... D24/130  
 D804,649 S \* 12/2017 Perry ..... D24/108  
 D817,124 S \* 5/2018 Gurwicz ..... D8/14  
 D820,441 S \* 6/2018 Ketelhohn ..... A61M 1/0058  
 D24/127  
 D842,991 S \* 3/2019 Cable, Jr. .... D24/135  
 D869,653 S \* 12/2019 Klaassen ..... D24/135  
 2008/0114210 A1 \* 5/2008 Shah ..... A61B 1/32  
 600/220

\* cited by examiner

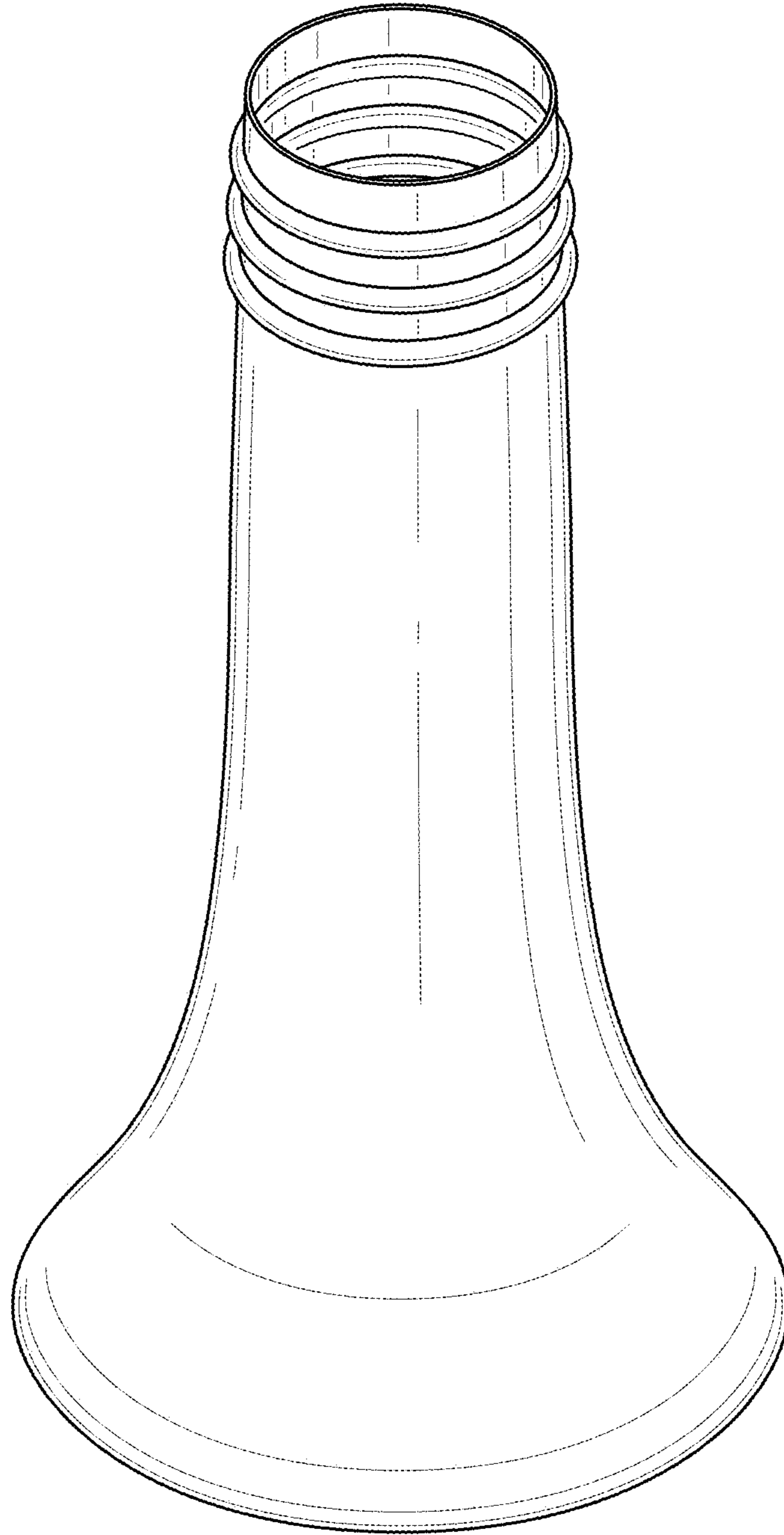


FIG. 1

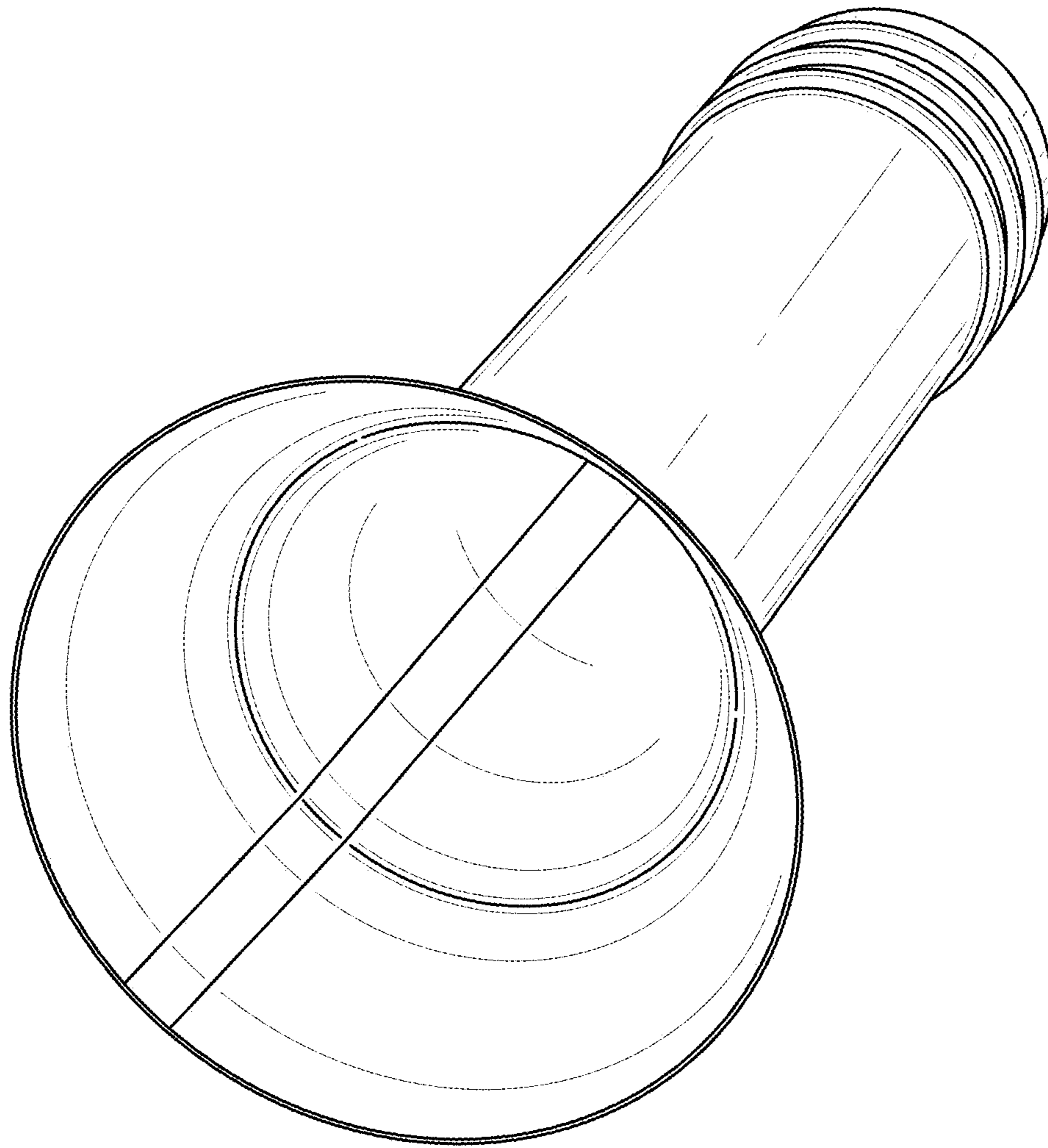


FIG. 2

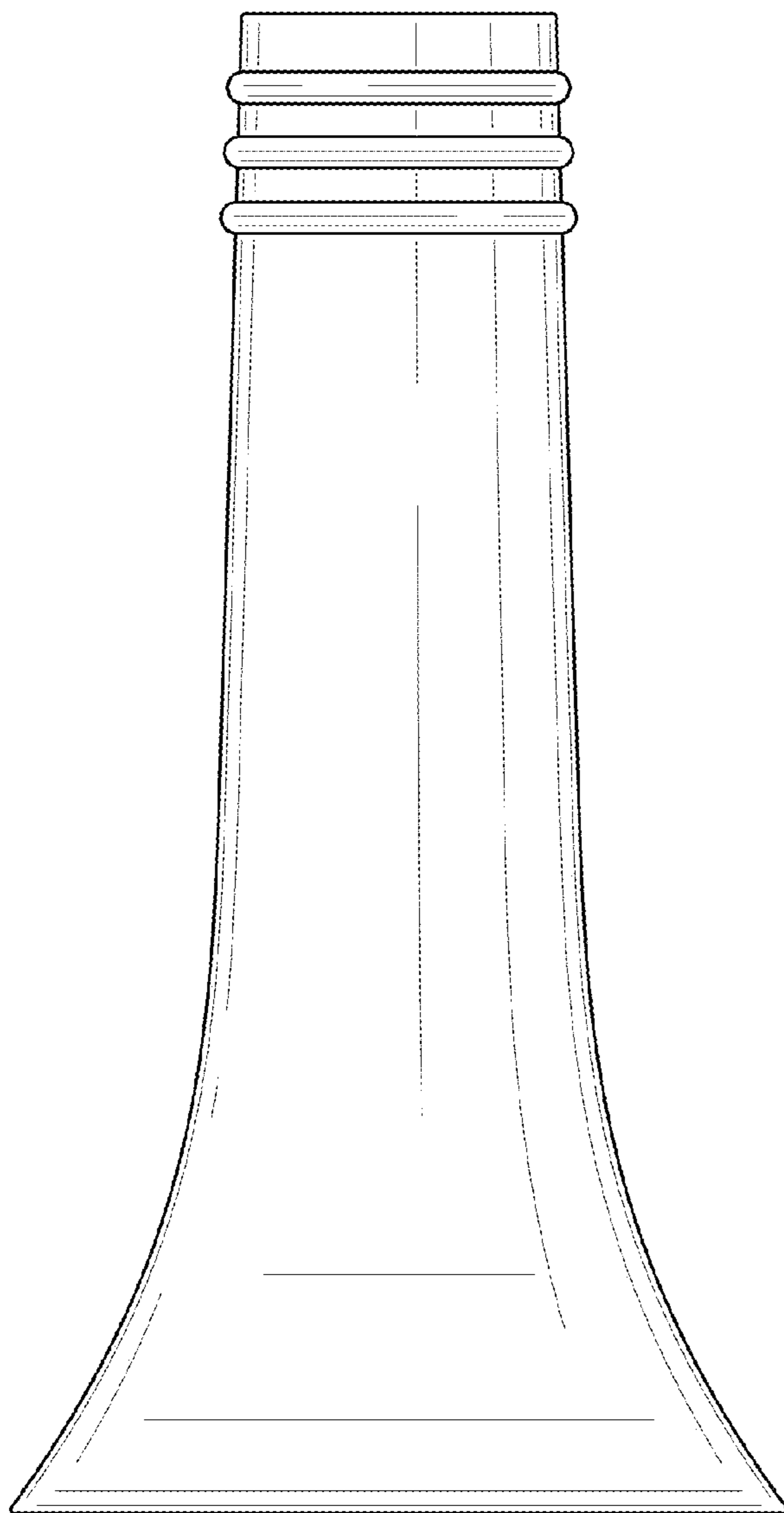


FIG. 3

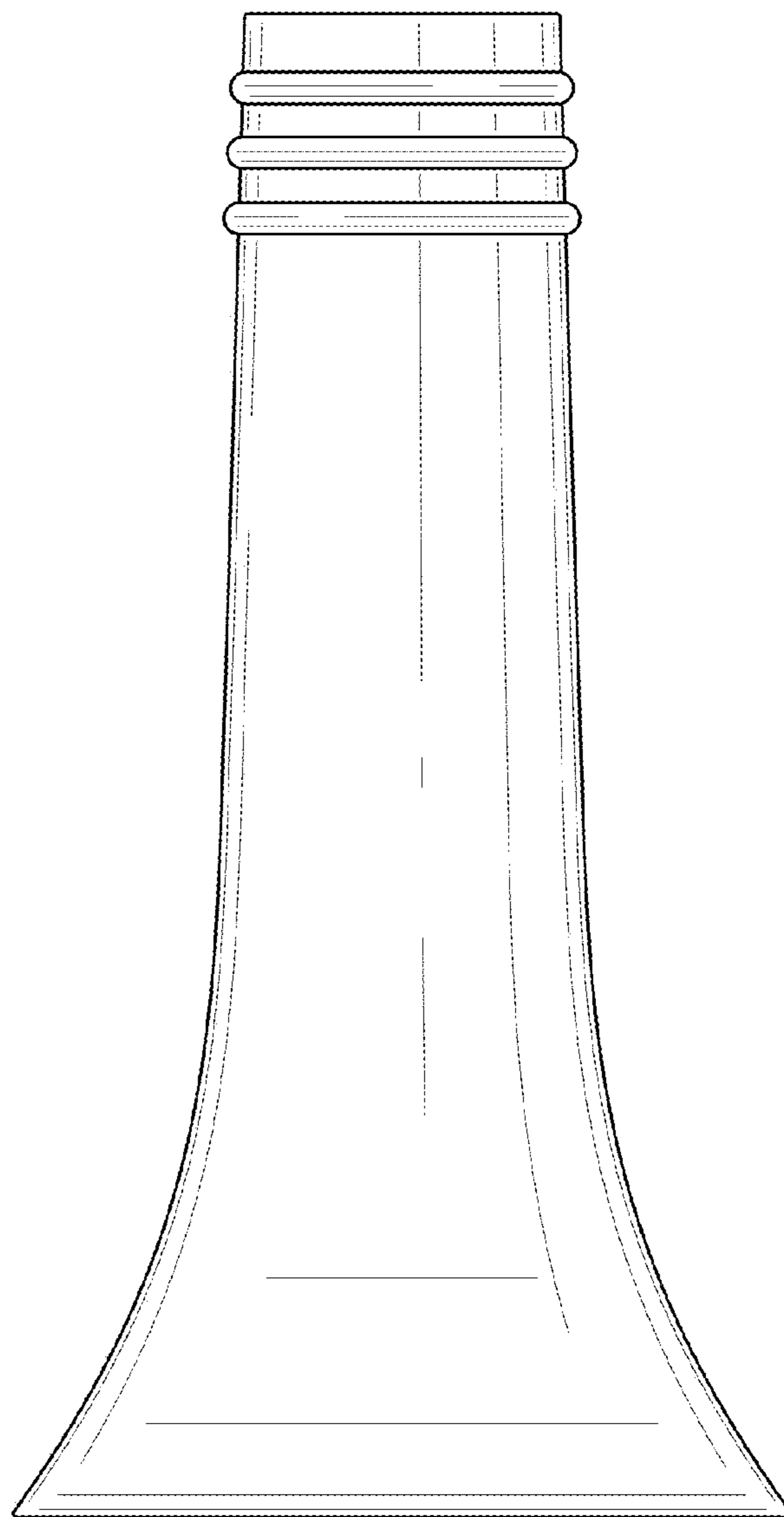


FIG. 4

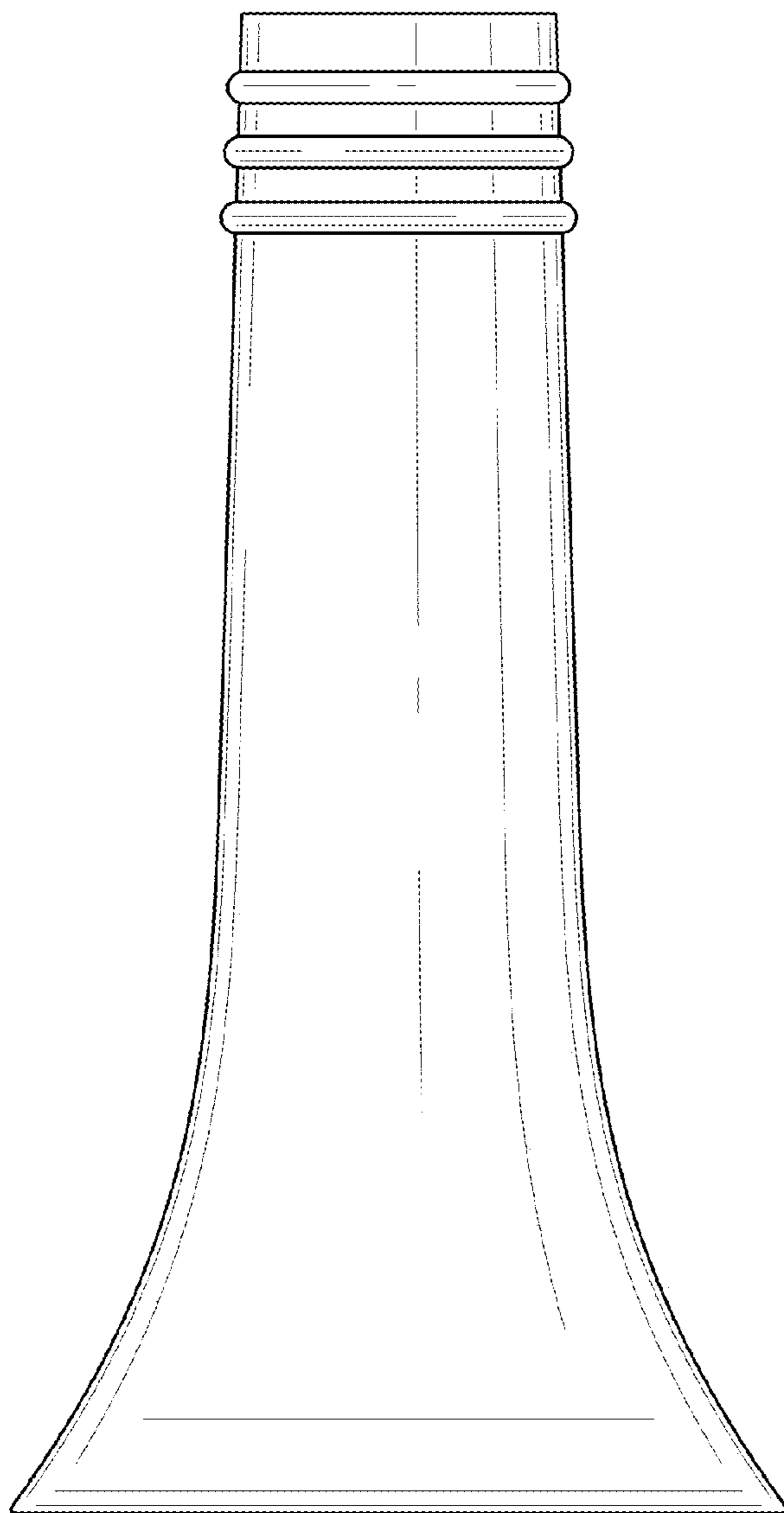


FIG. 5

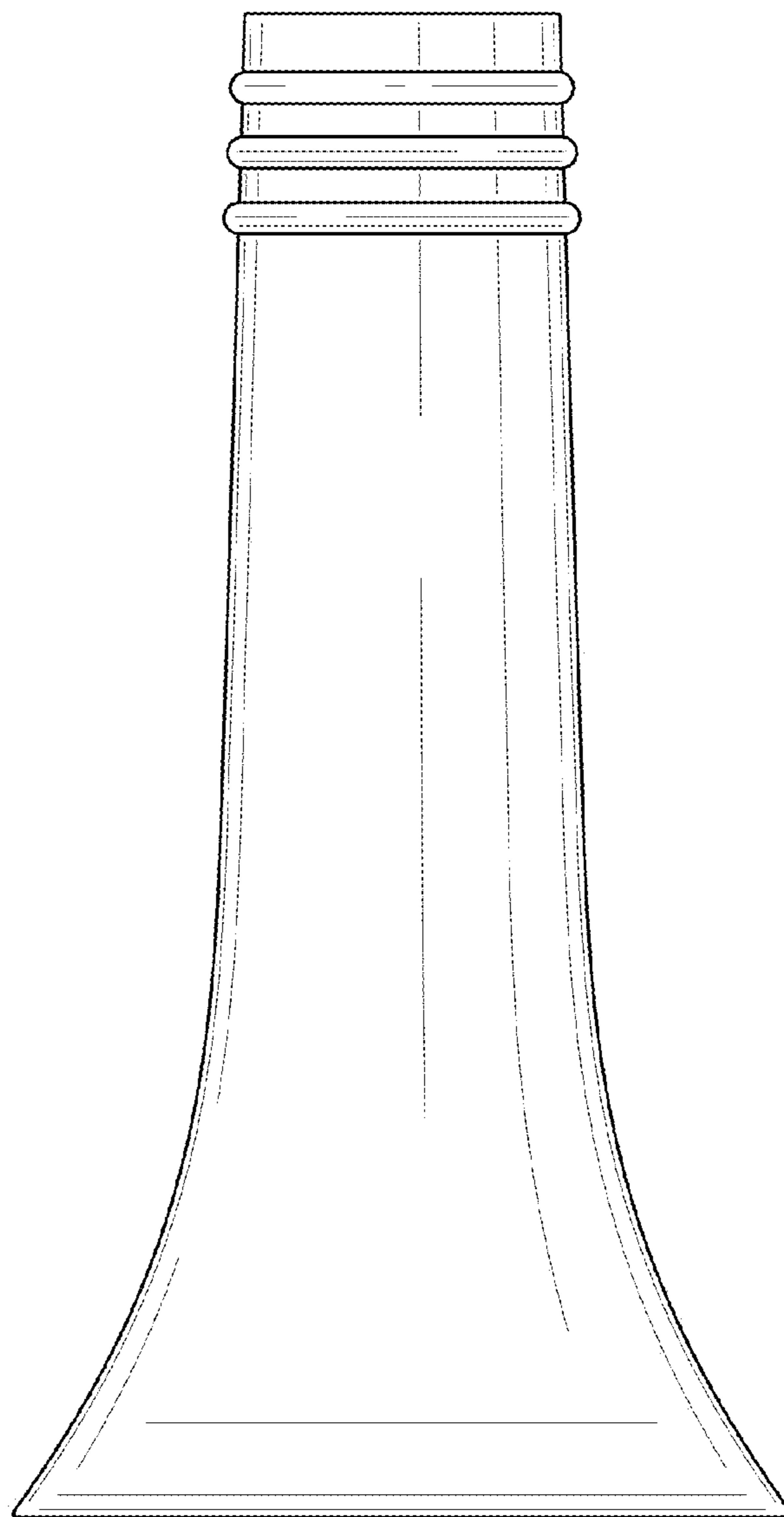


FIG. 6

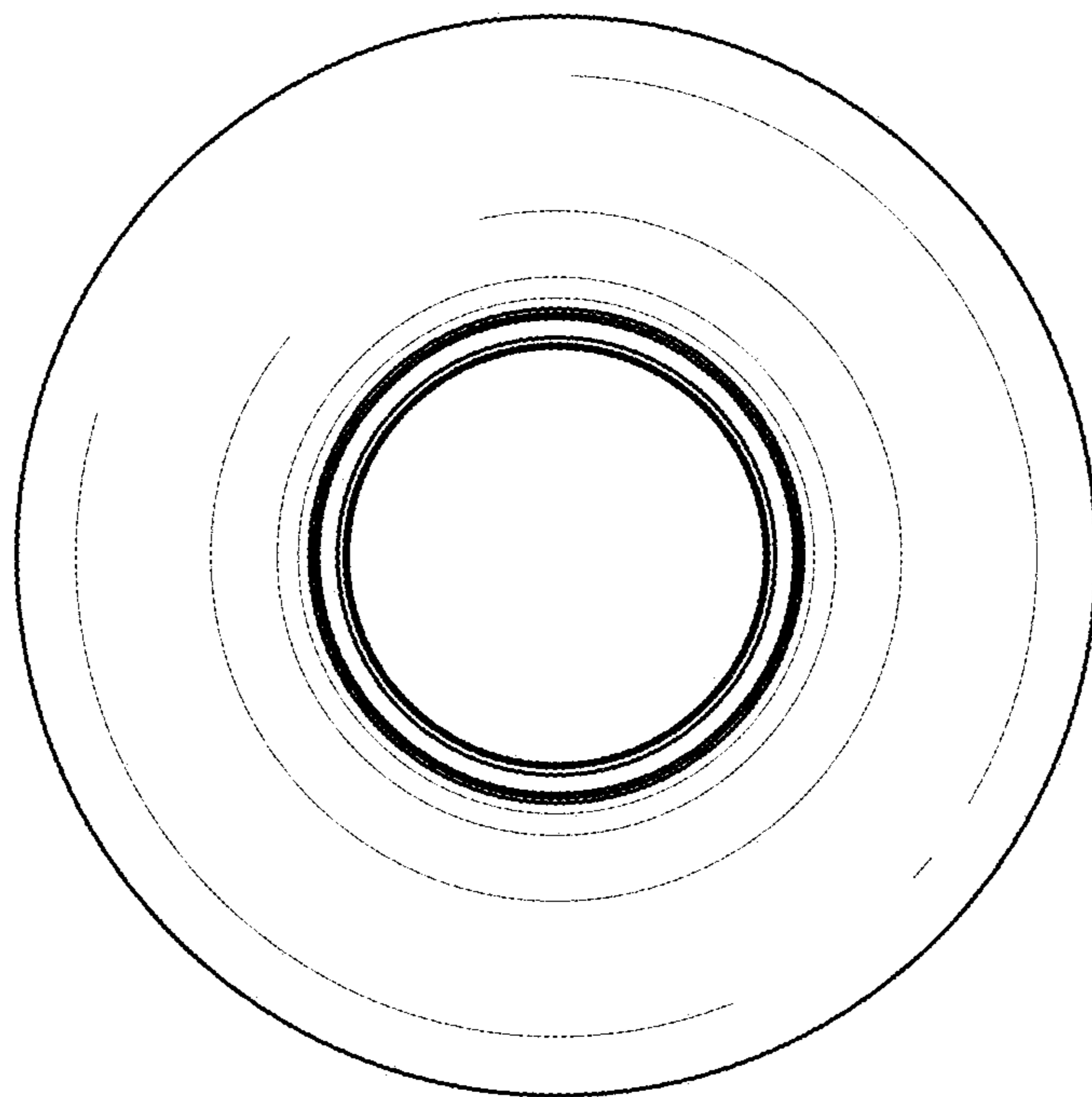


FIG. 7

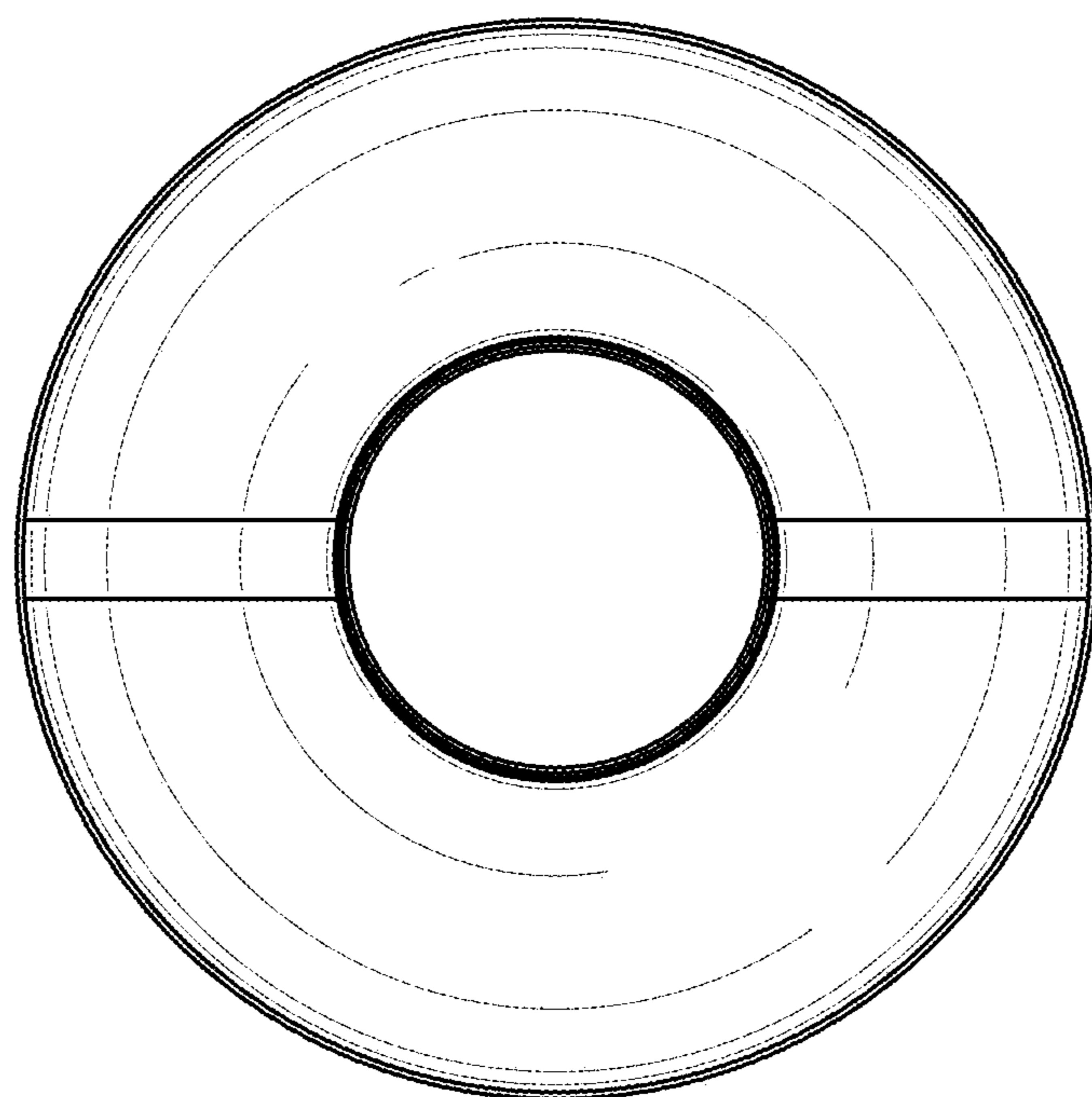


FIG. 8

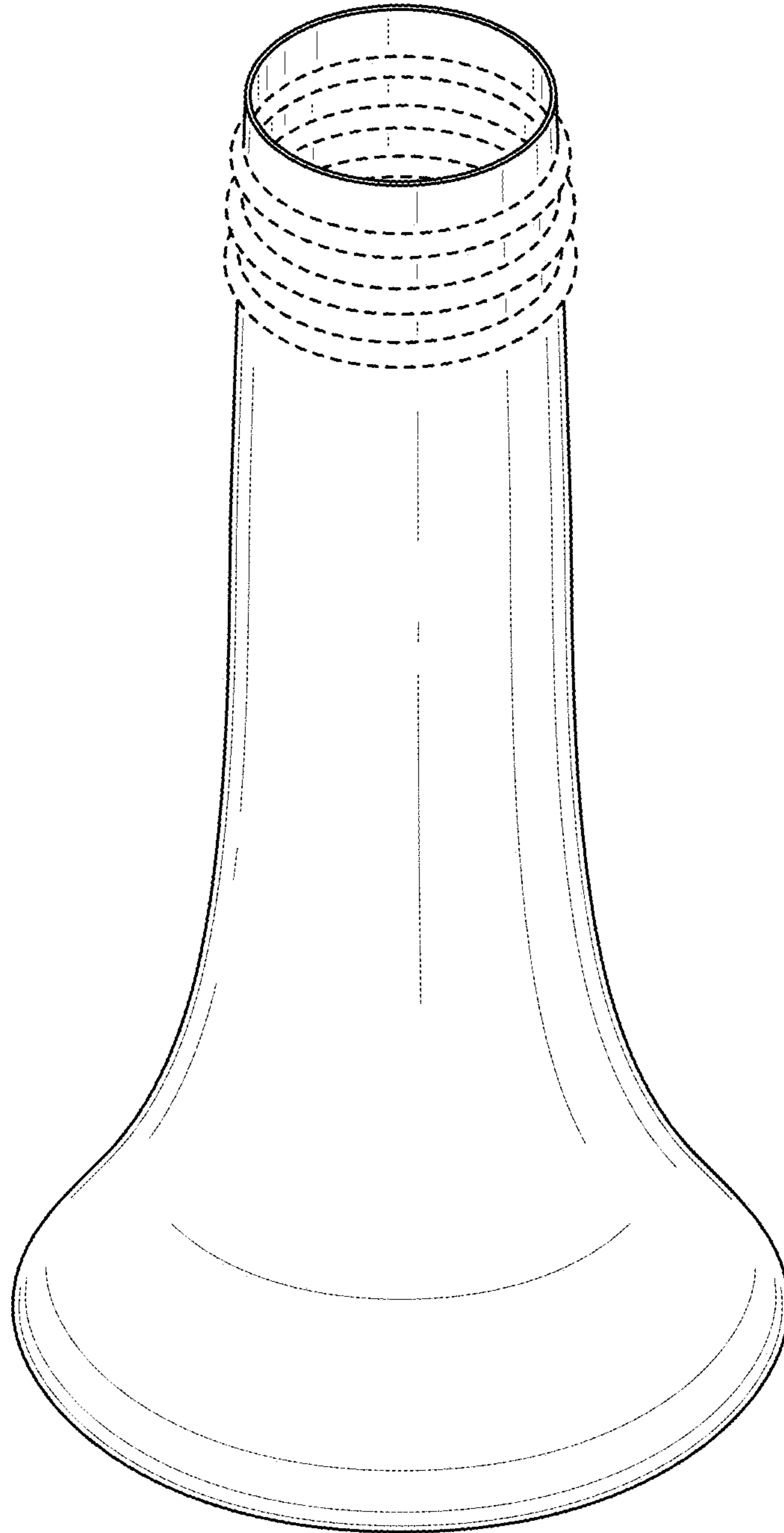


FIG. 9



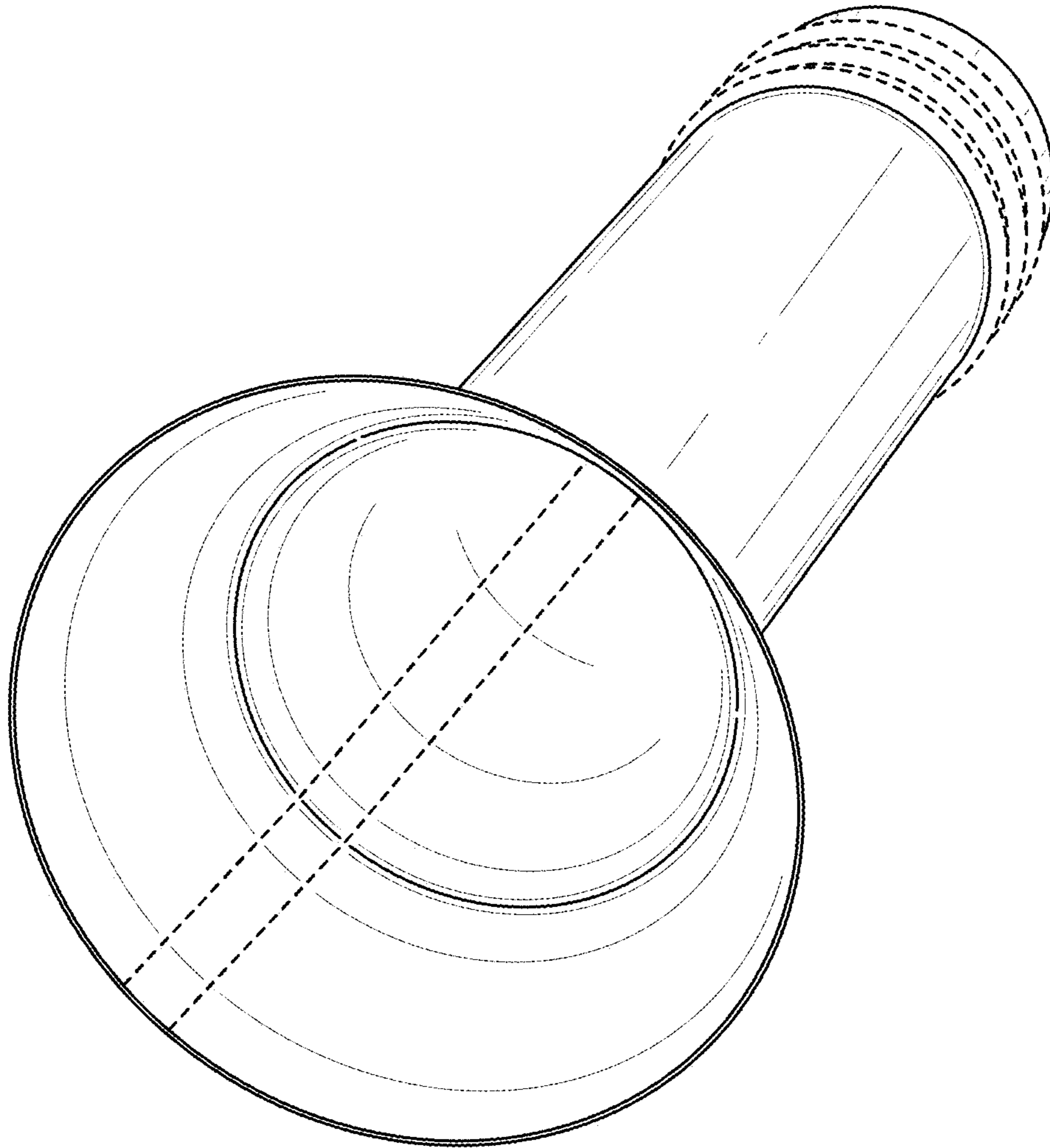


FIG. 10

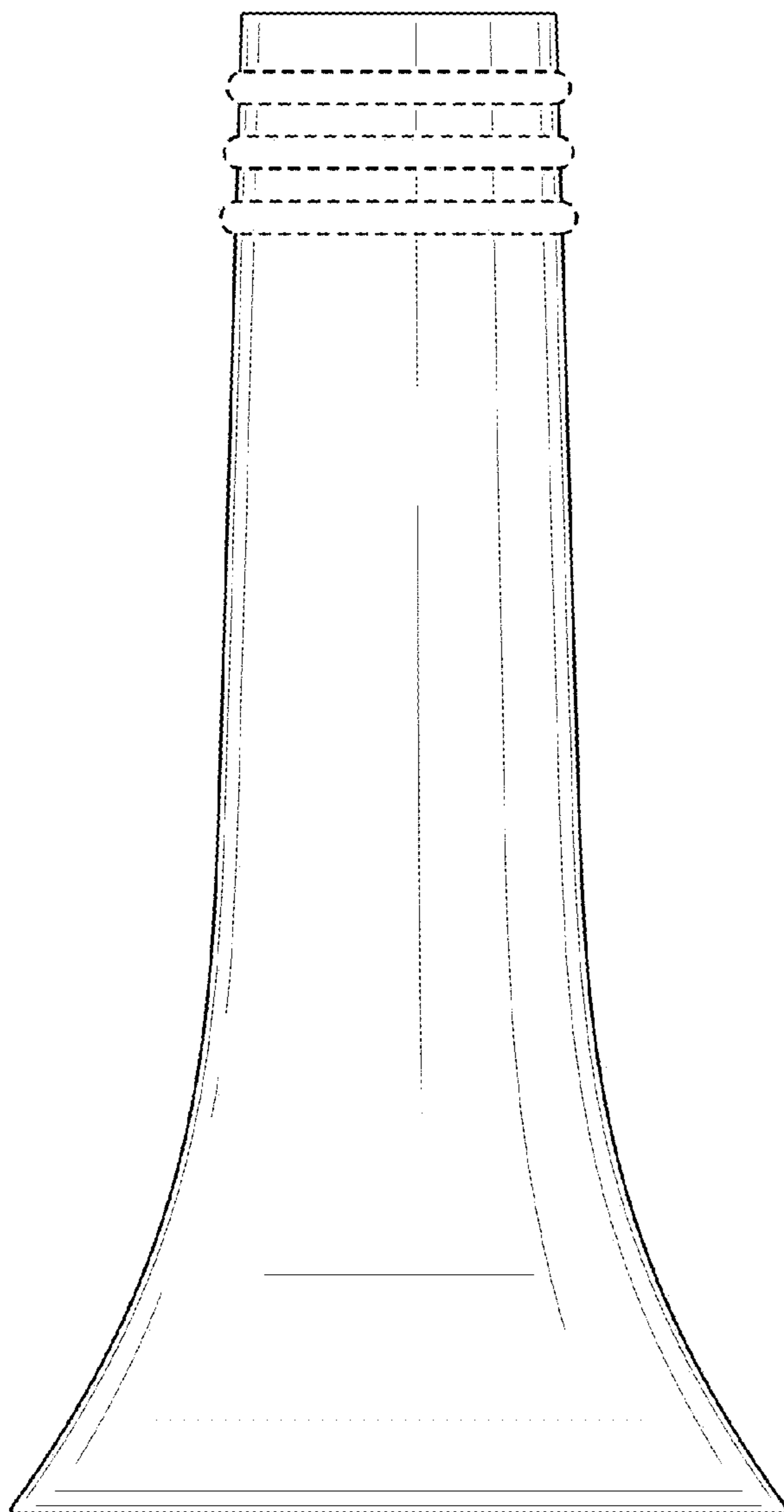


FIG. 11

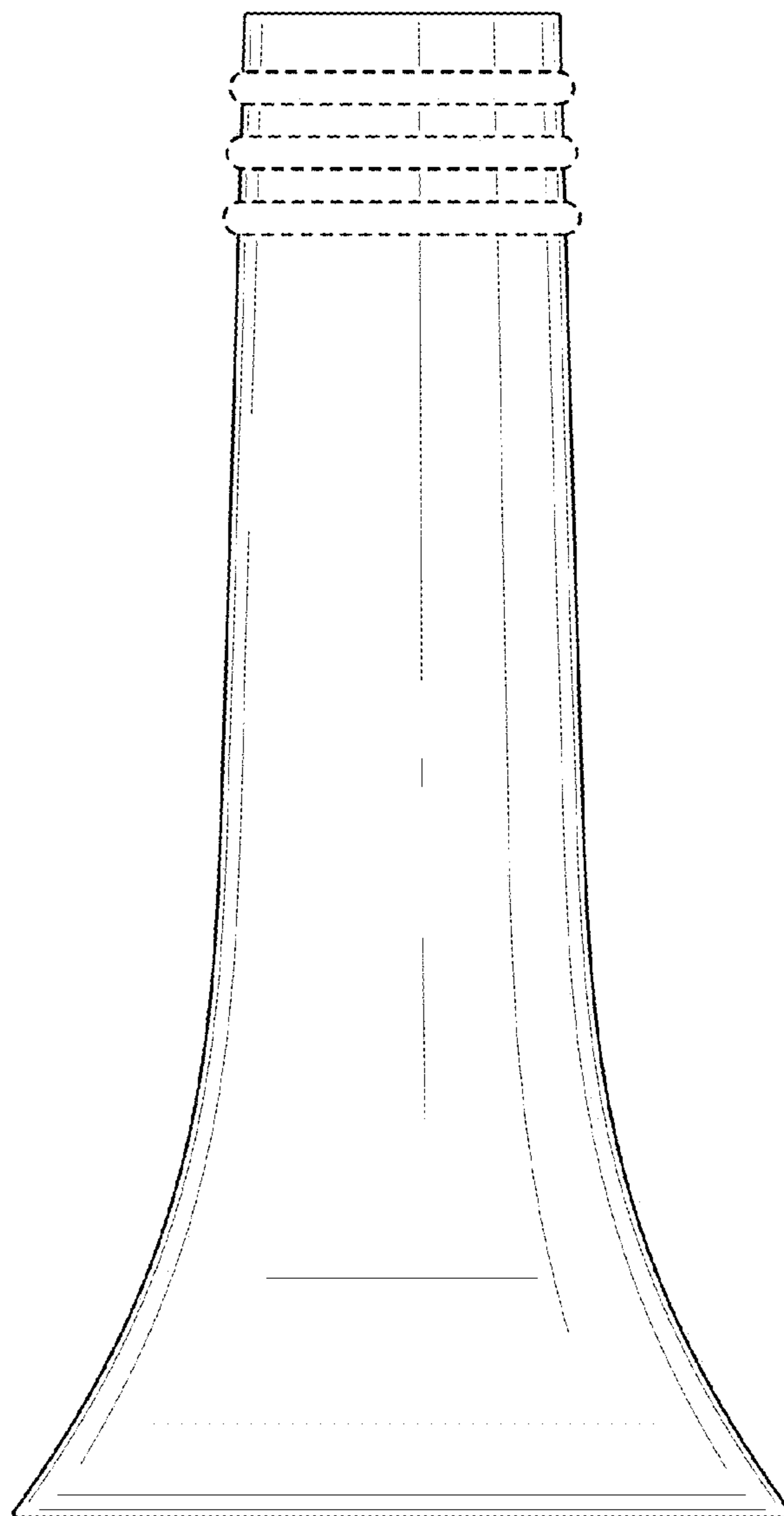


FIG. 12

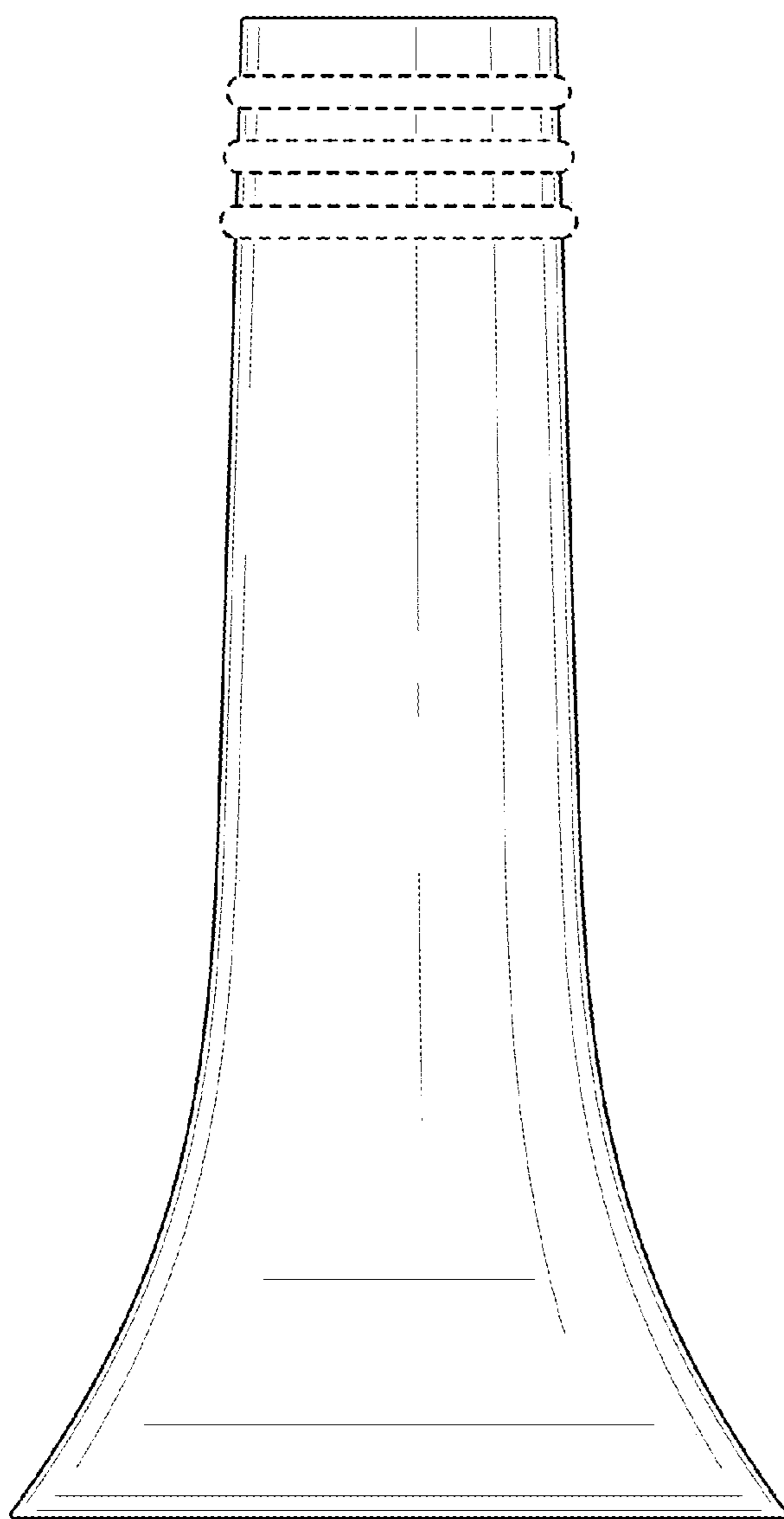


FIG. 13

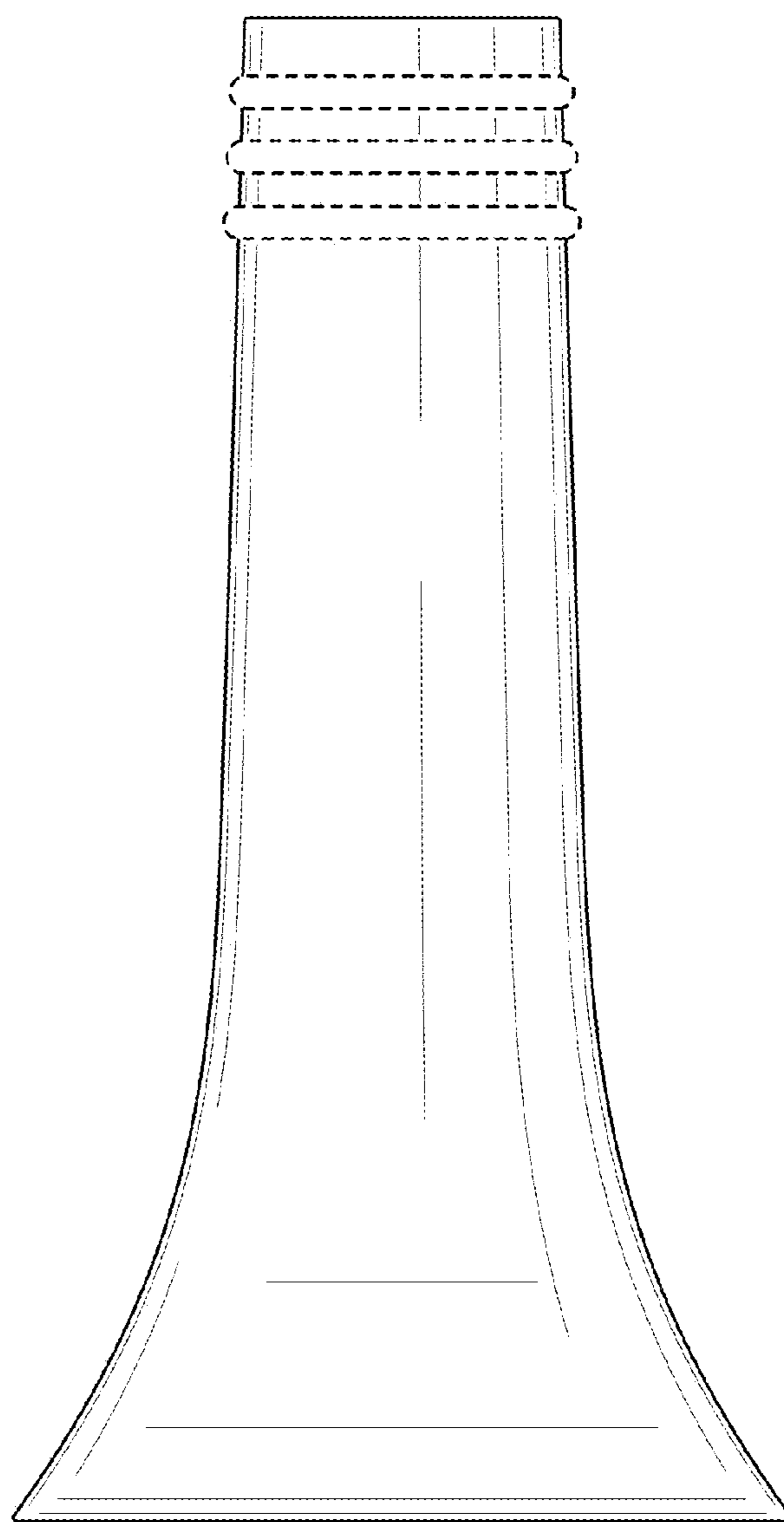


FIG. 14

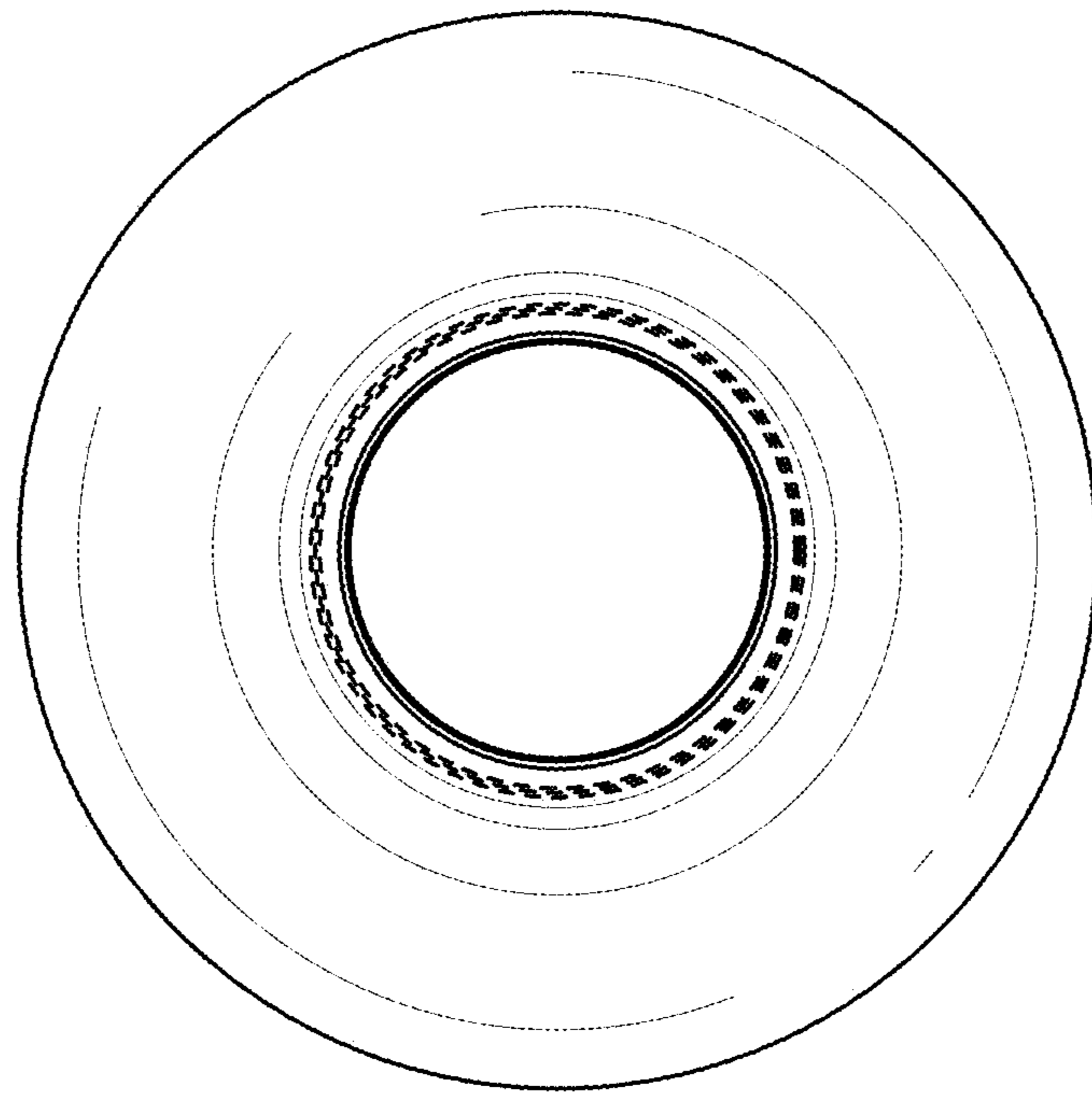


FIG. 15

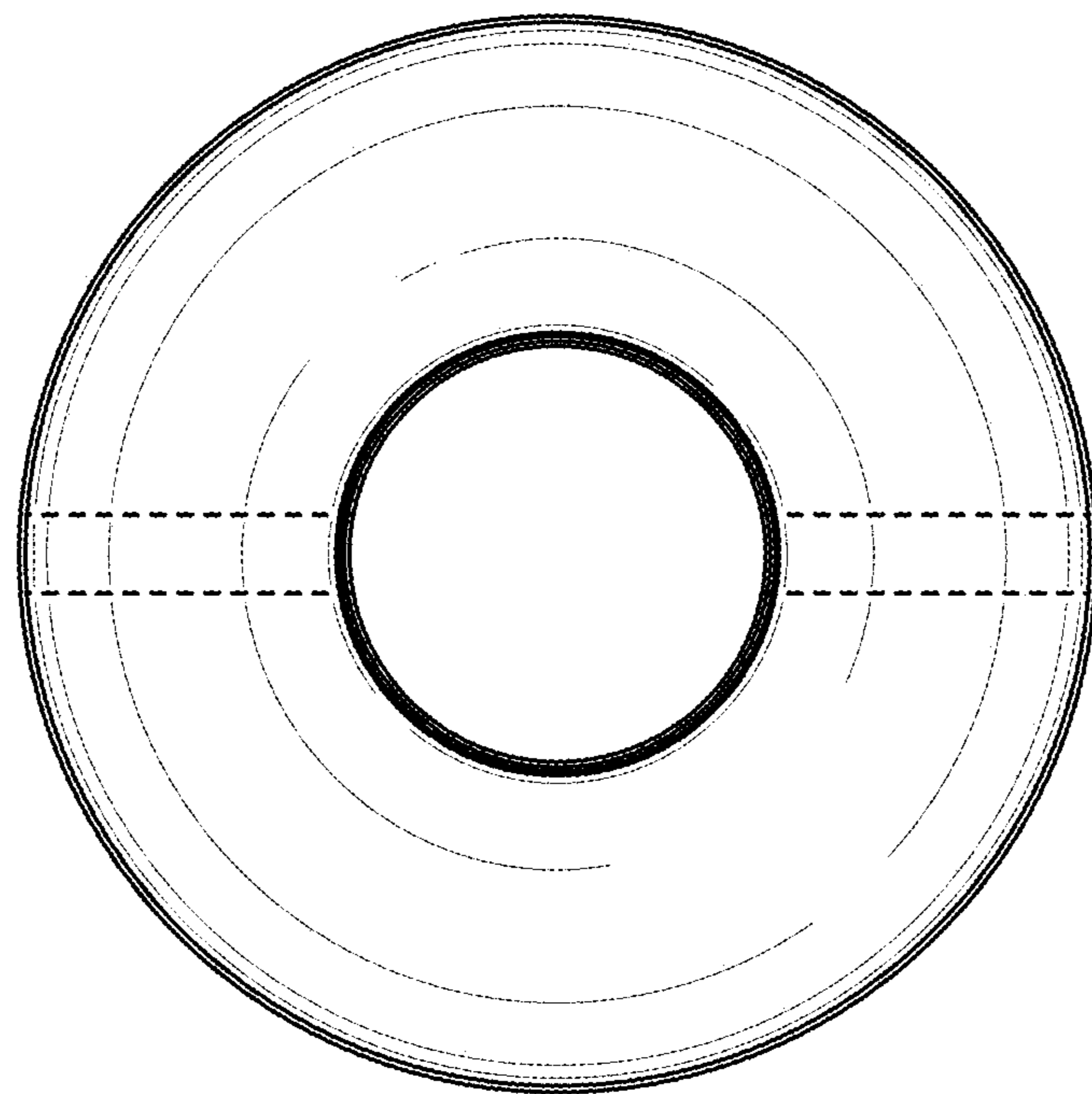


FIG. 16

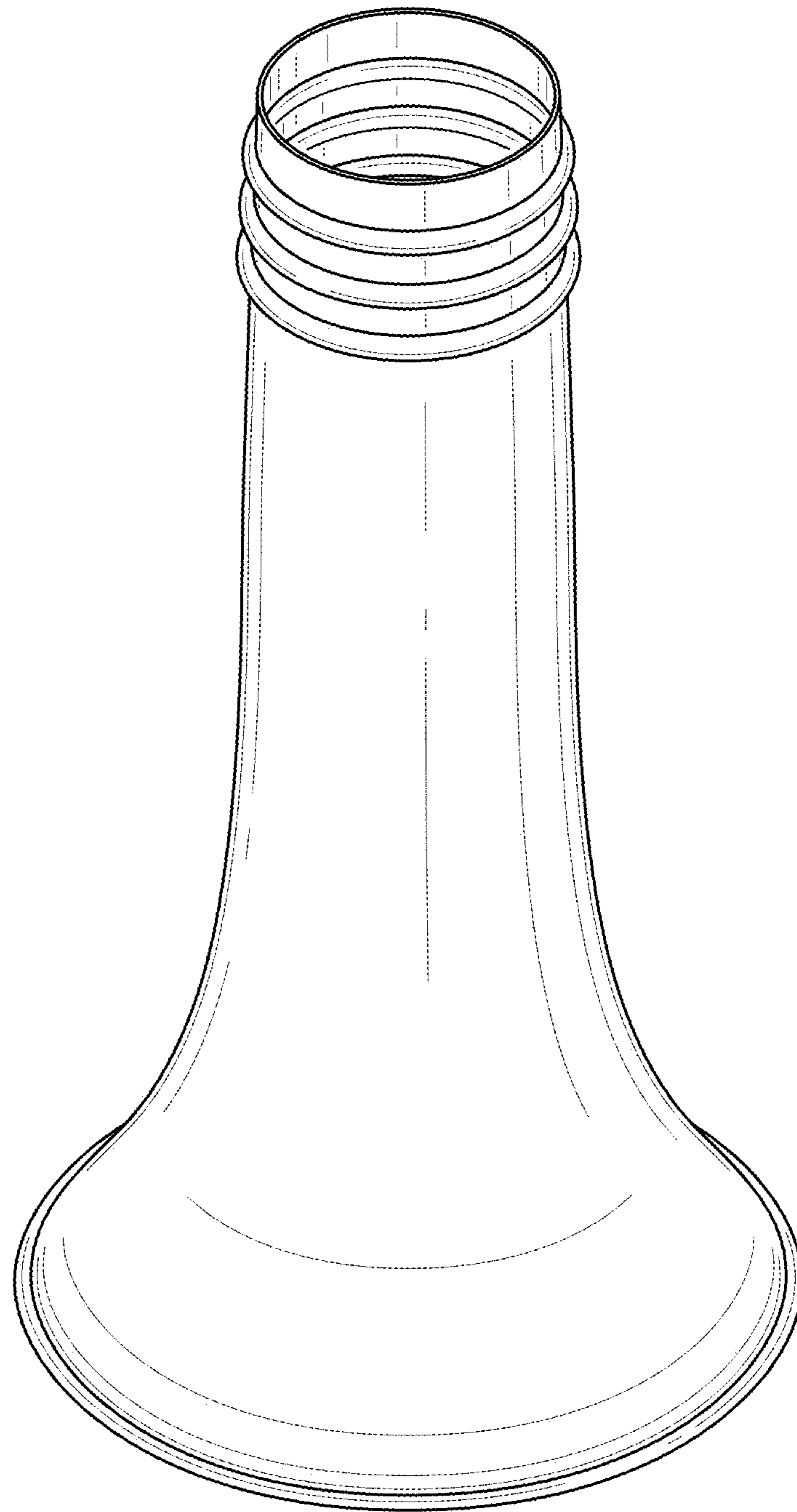


FIG. 17

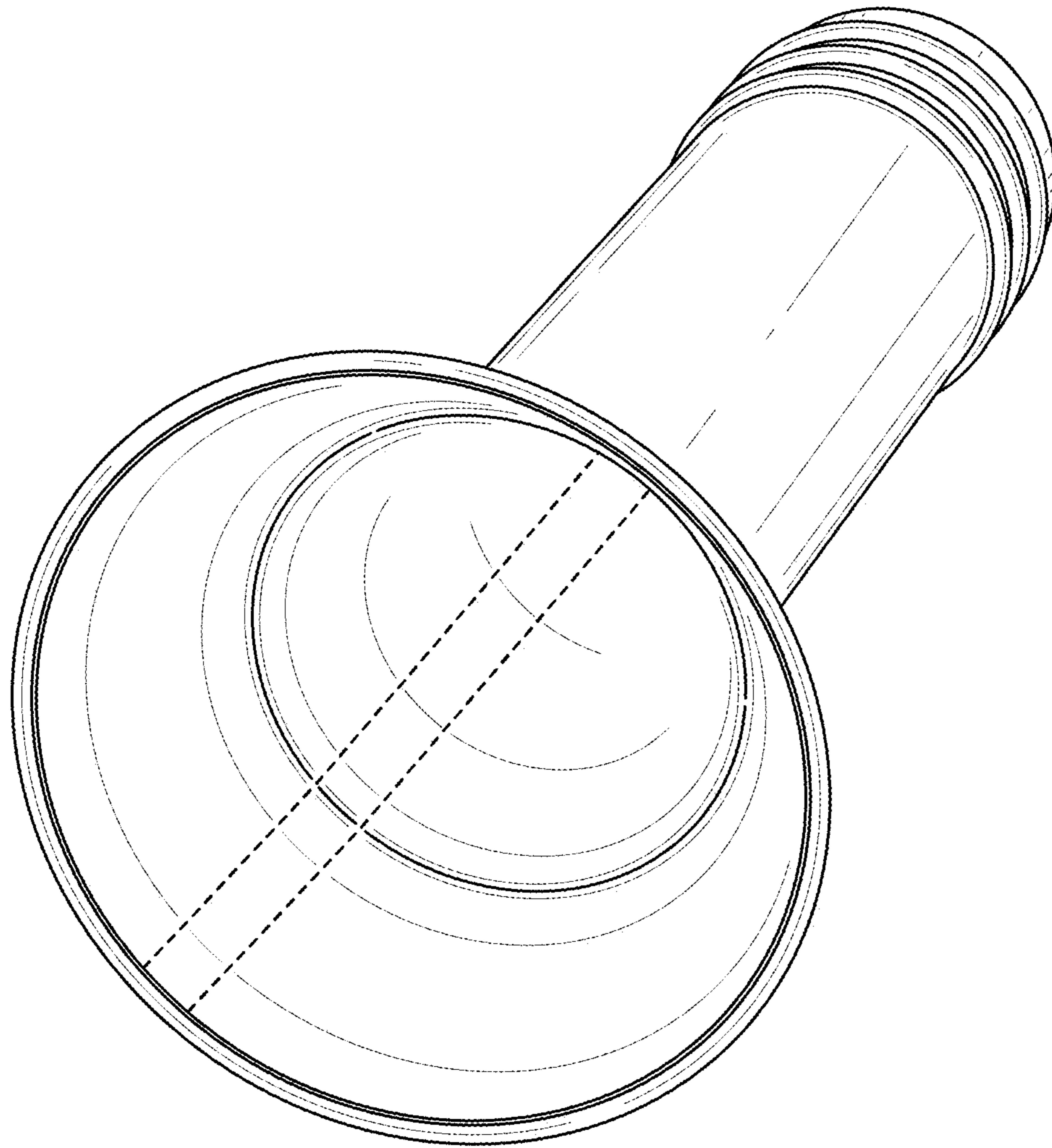


FIG. 18



FIG. 19

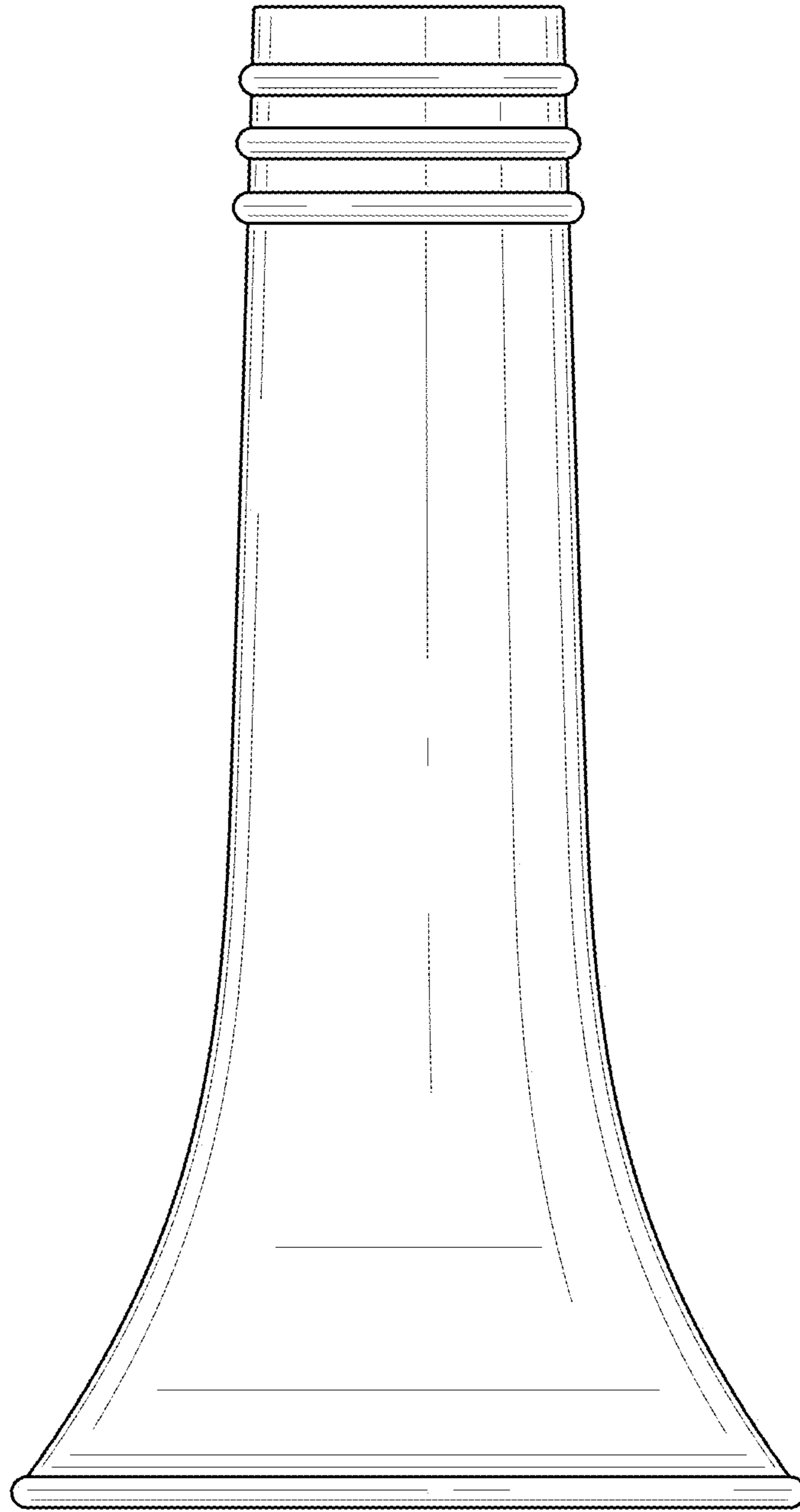


FIG. 20



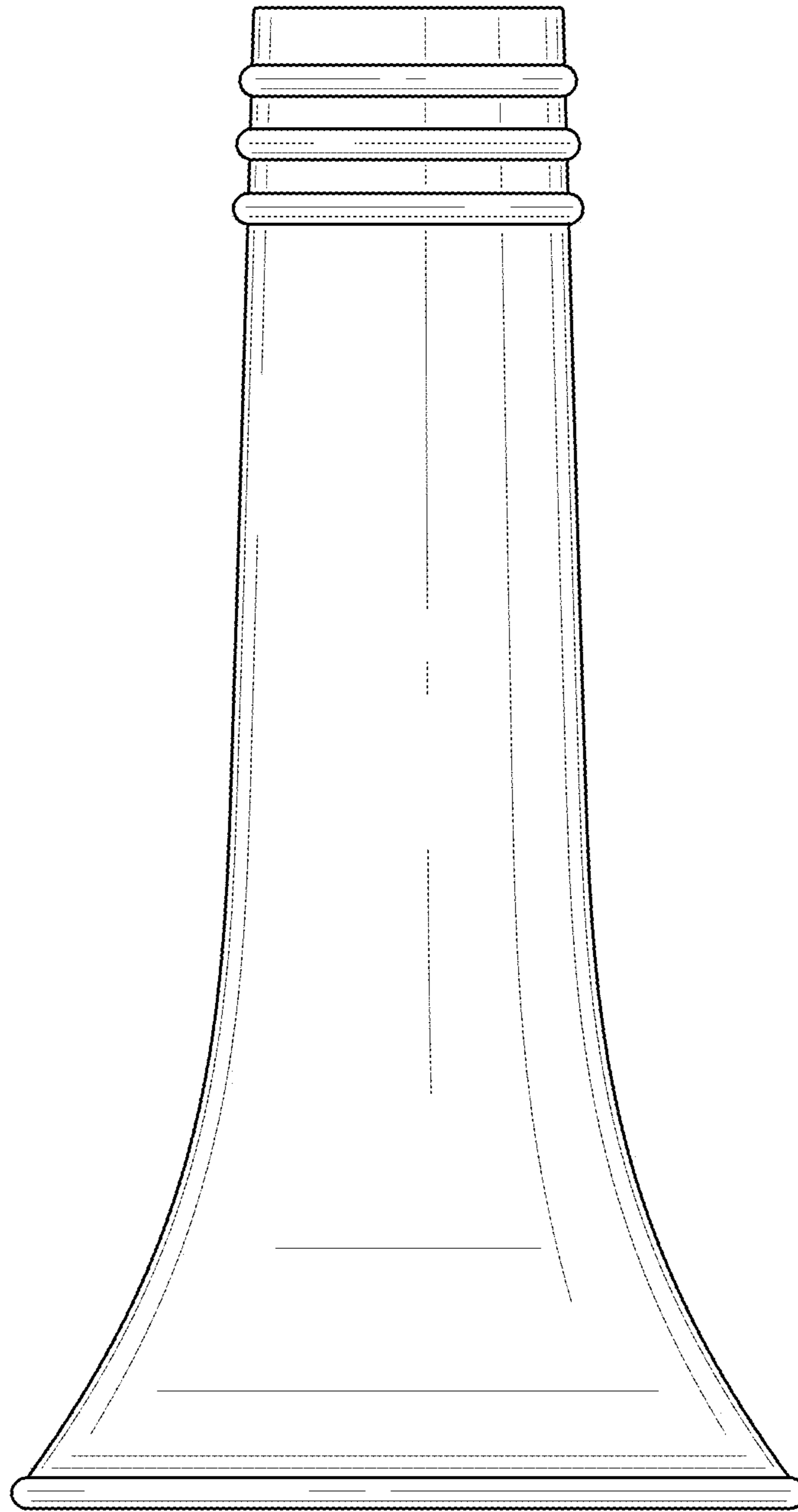


FIG. 21

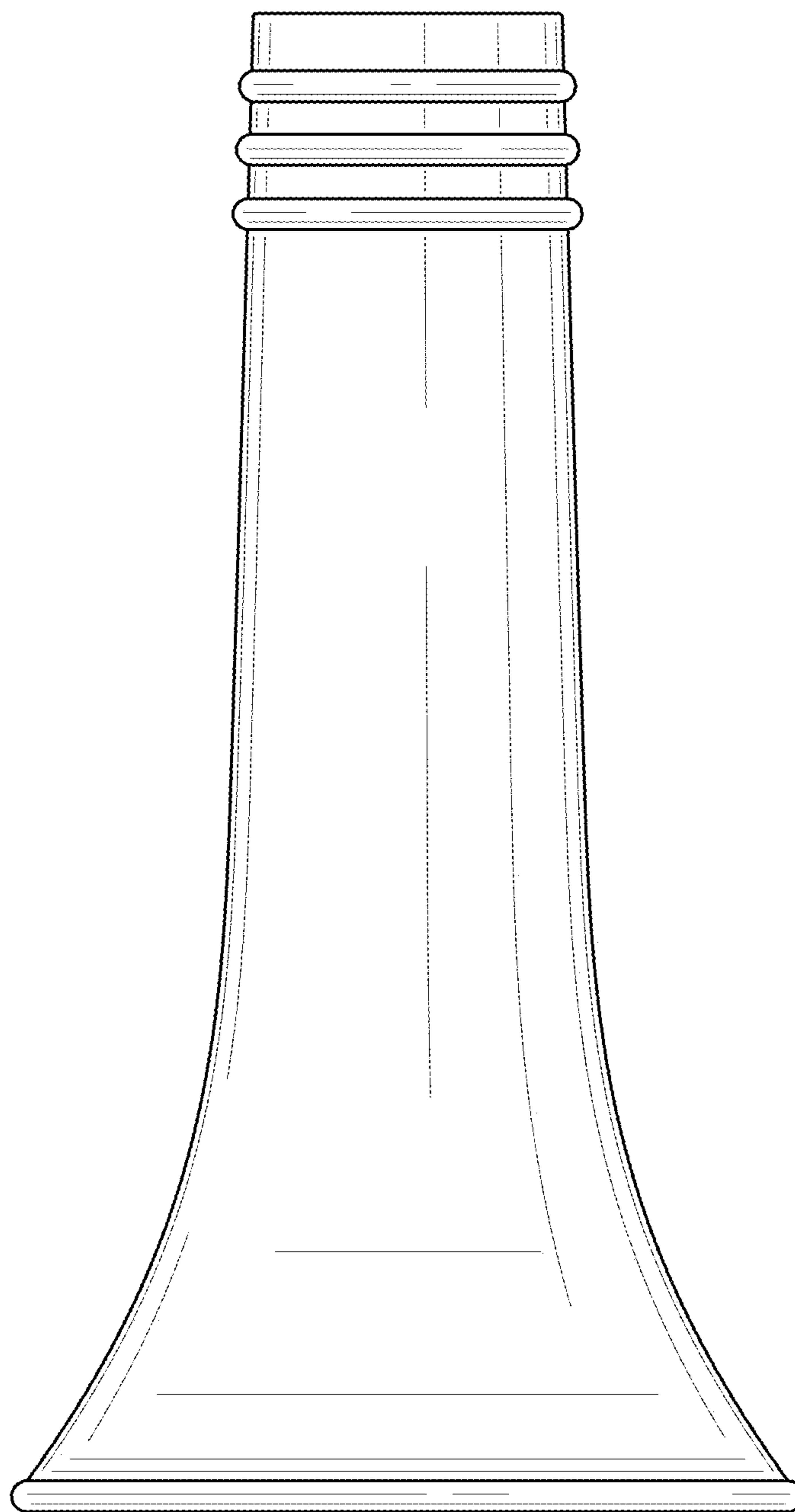


FIG. 22

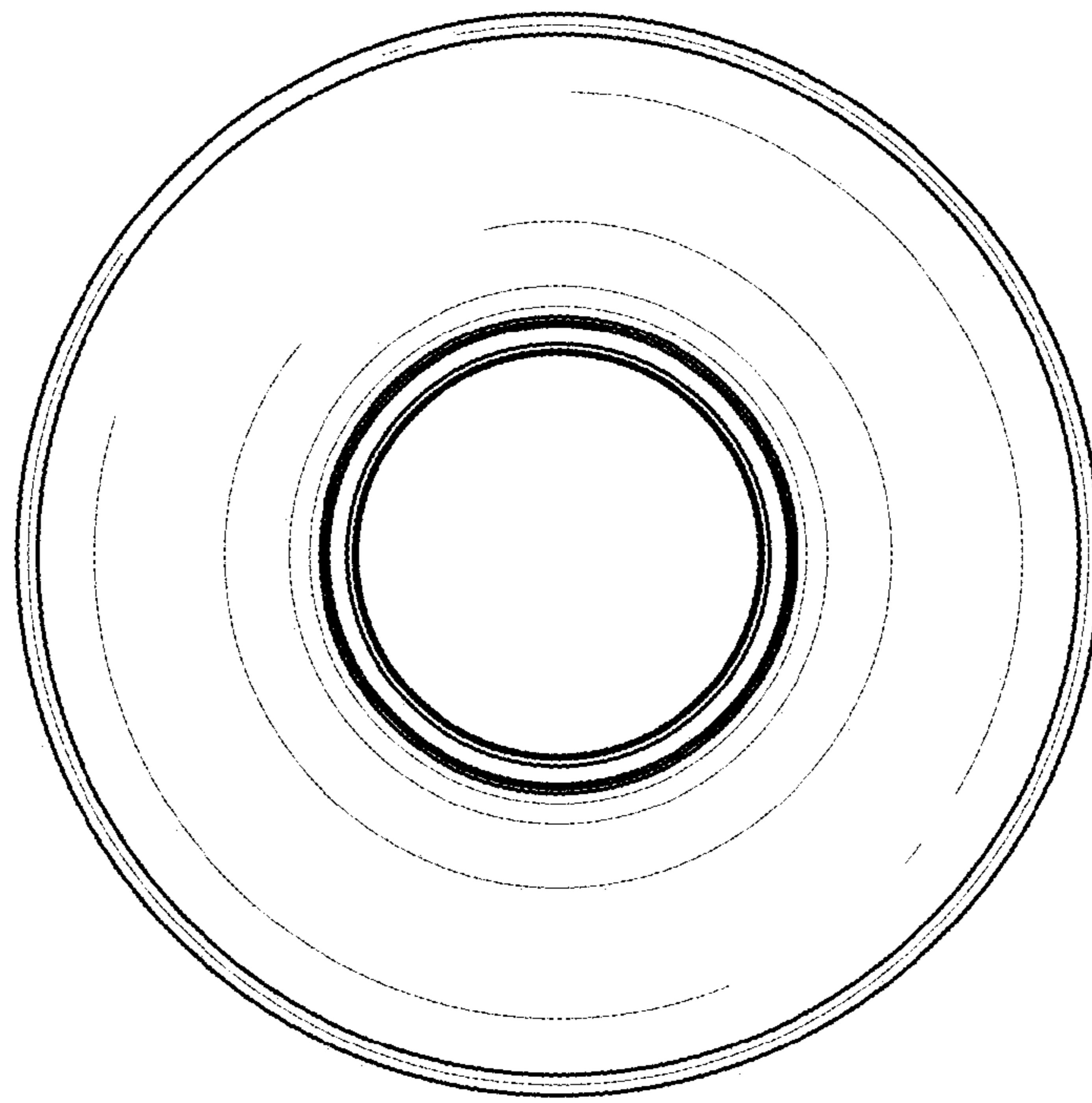


FIG. 23

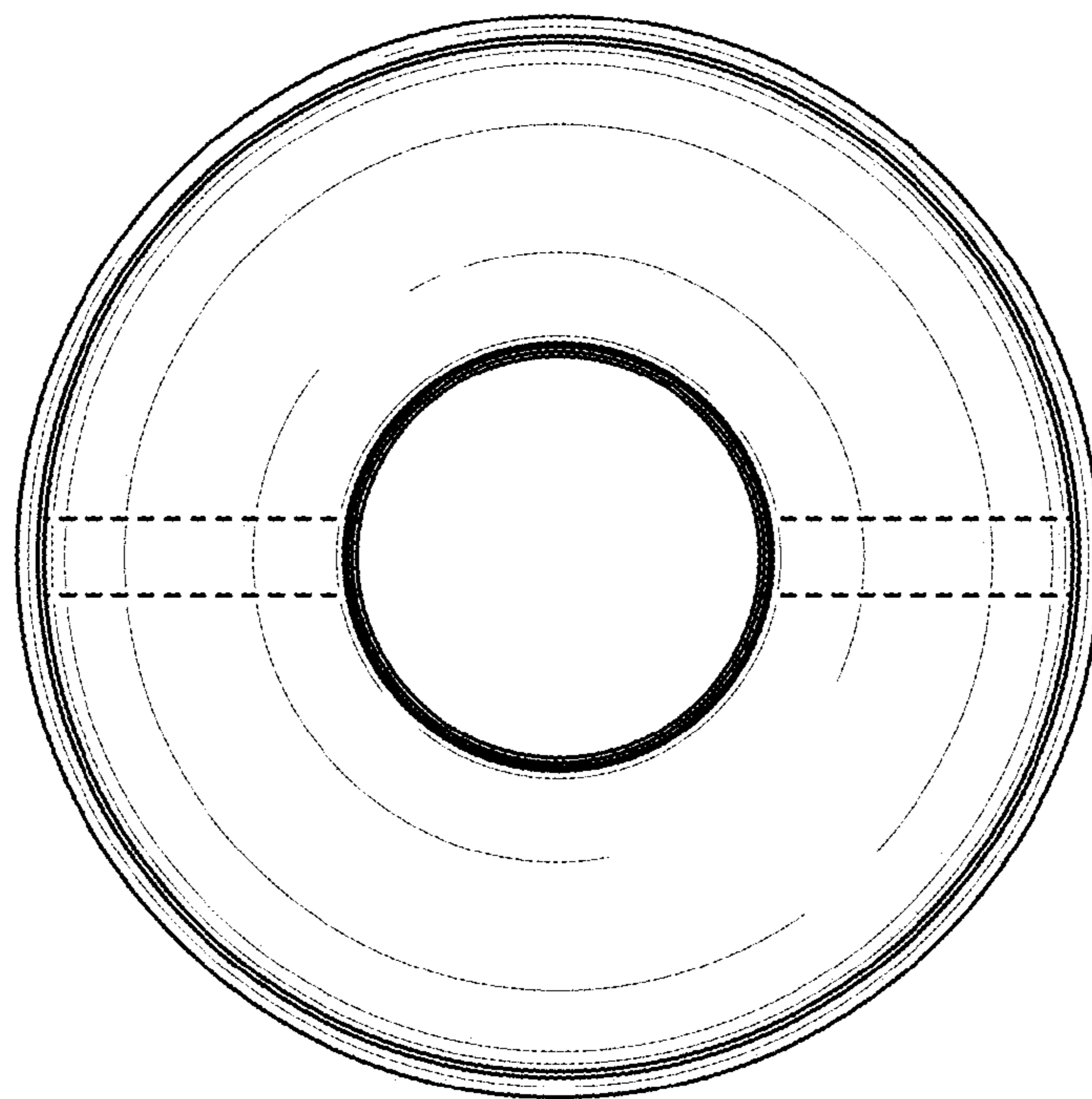


FIG. 24

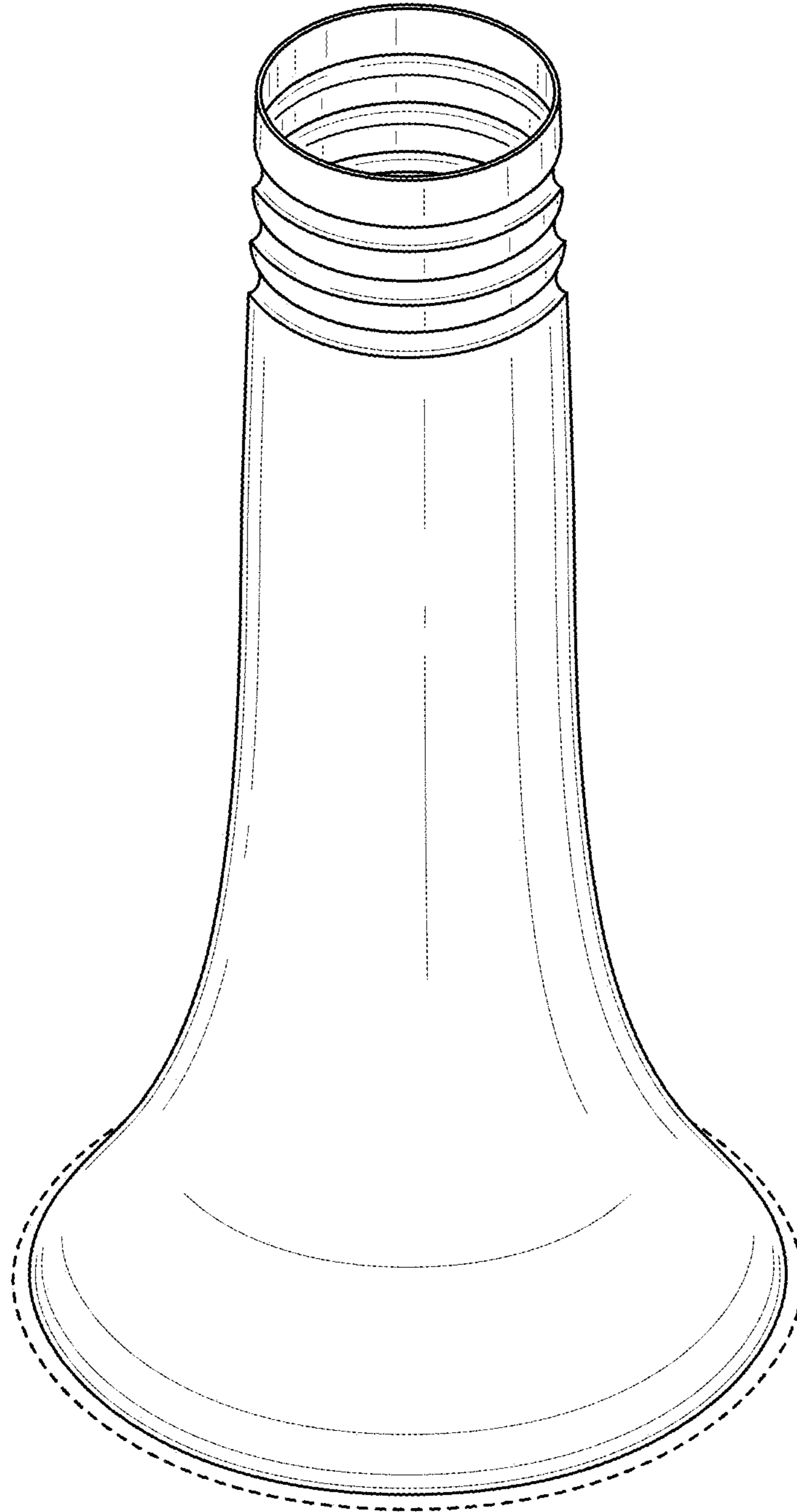


FIG. 25

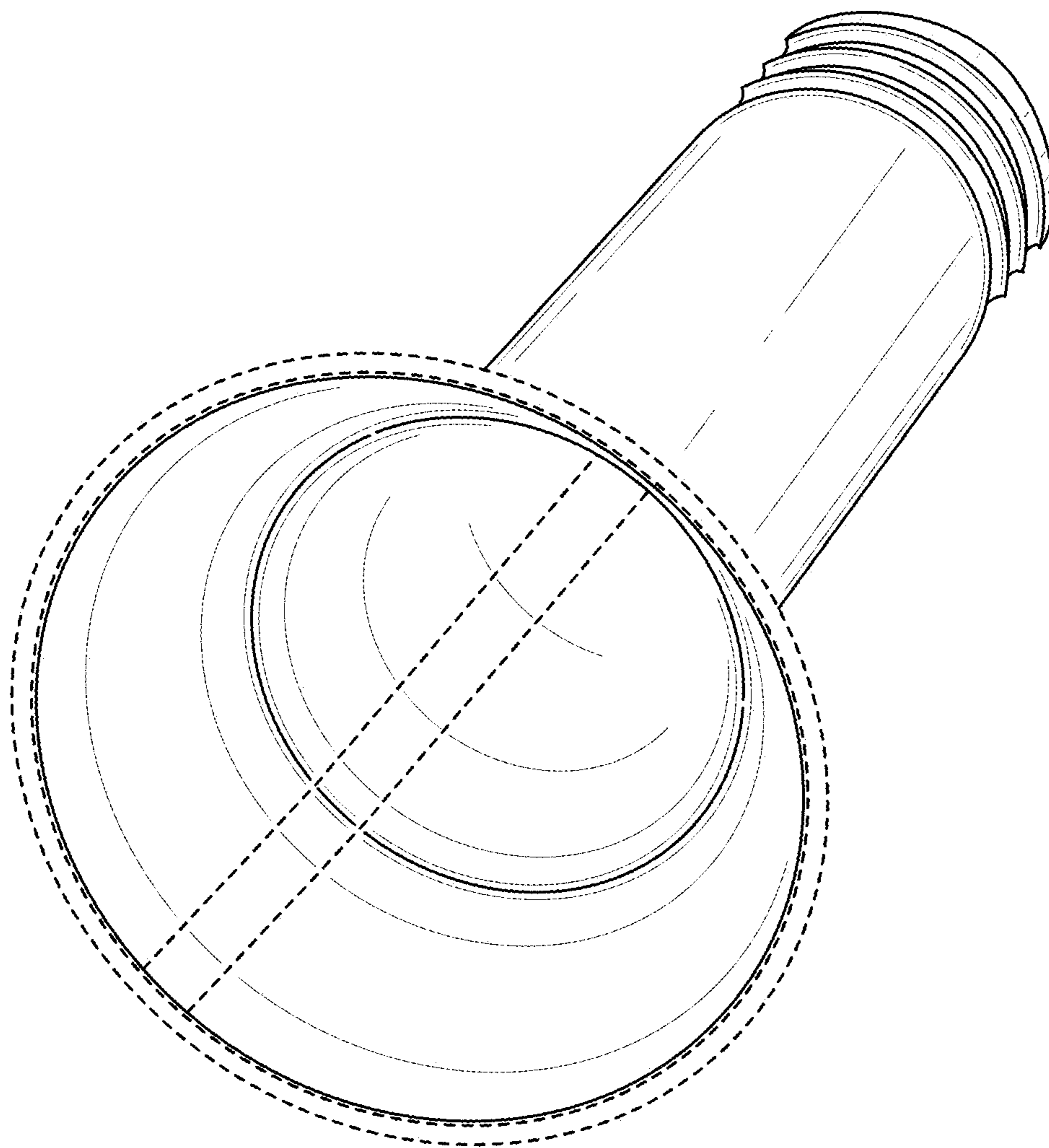


FIG. 26



FIG. 27



FIG. 28

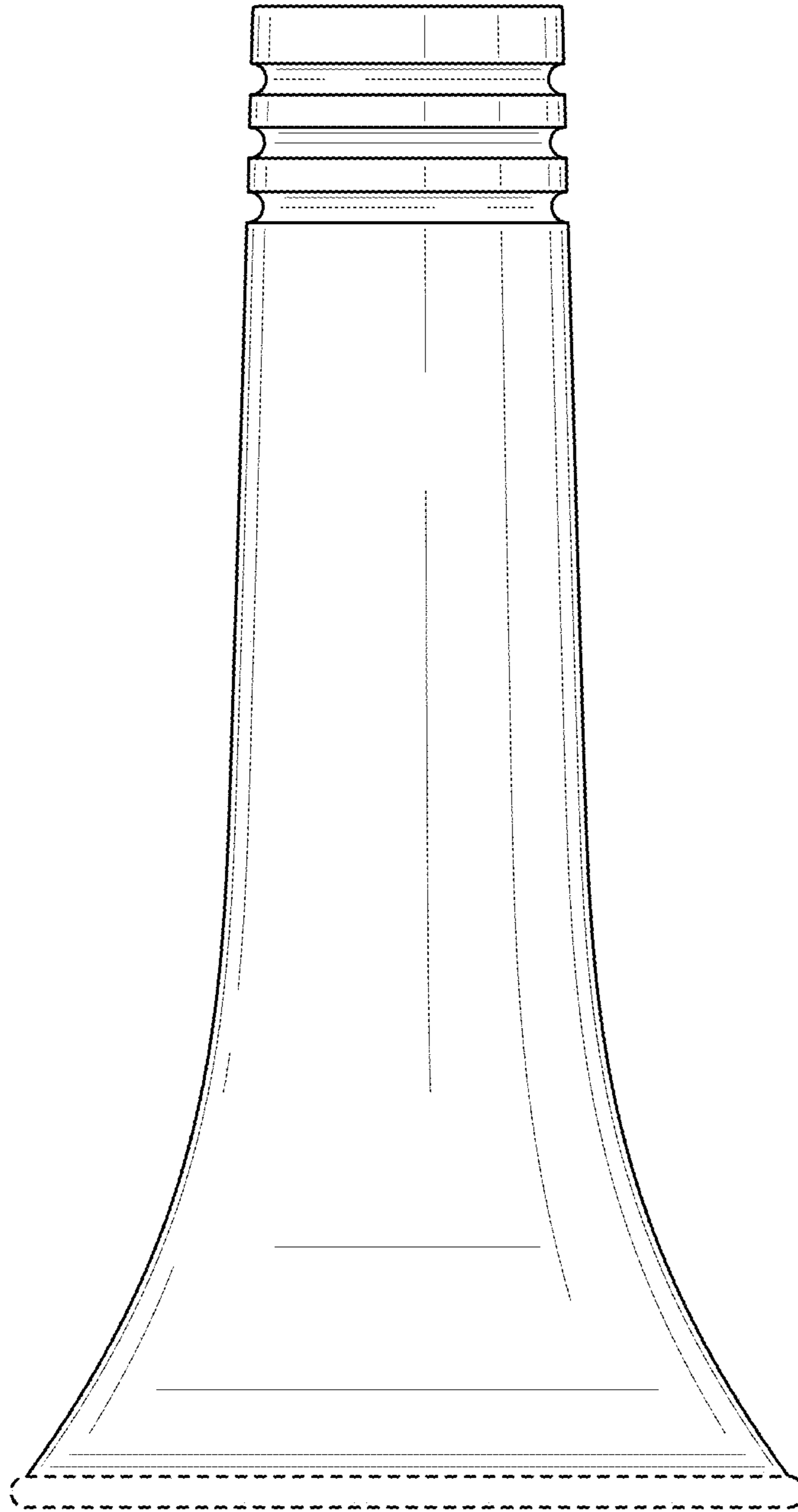


FIG. 29



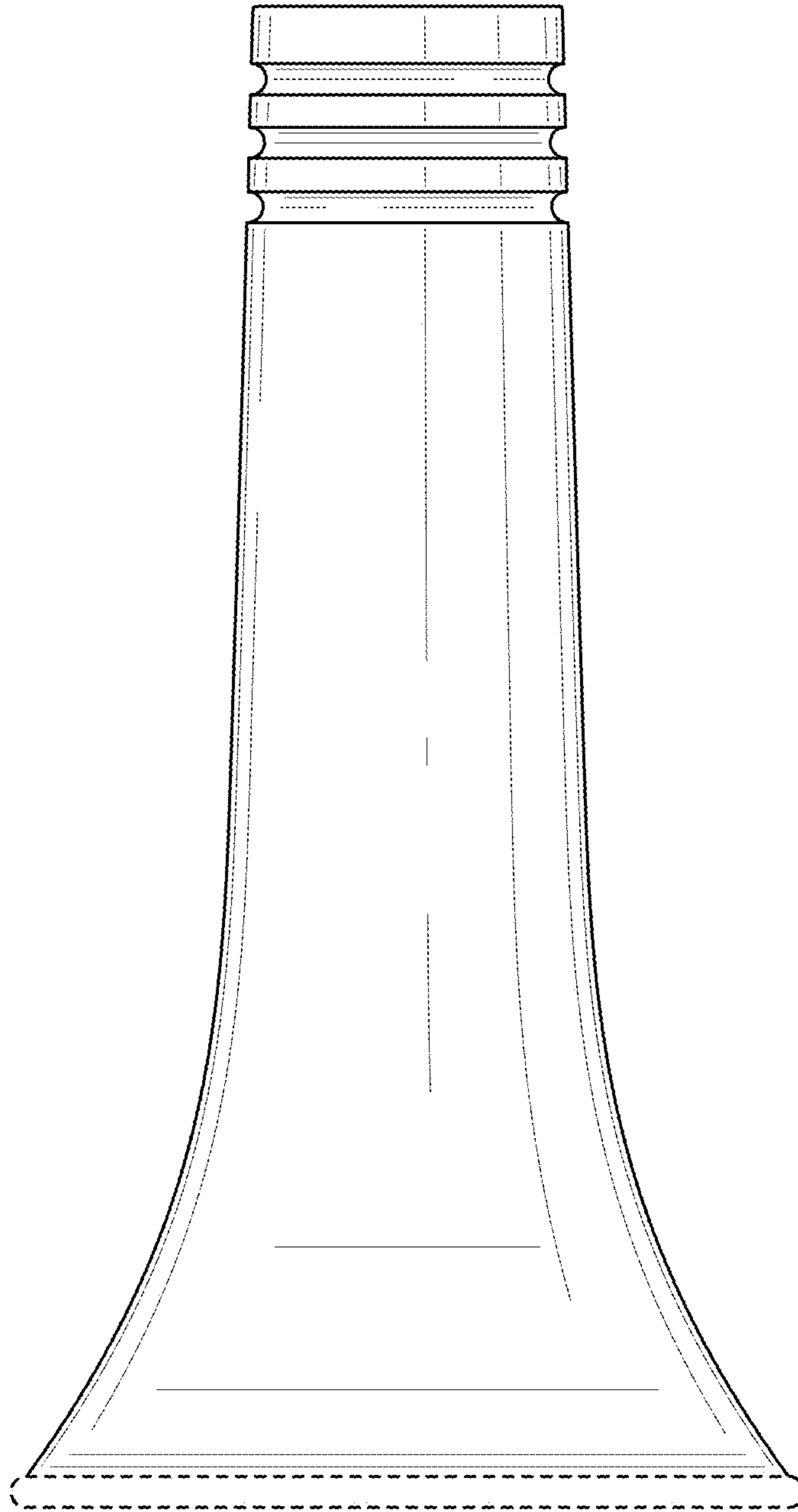


FIG. 30

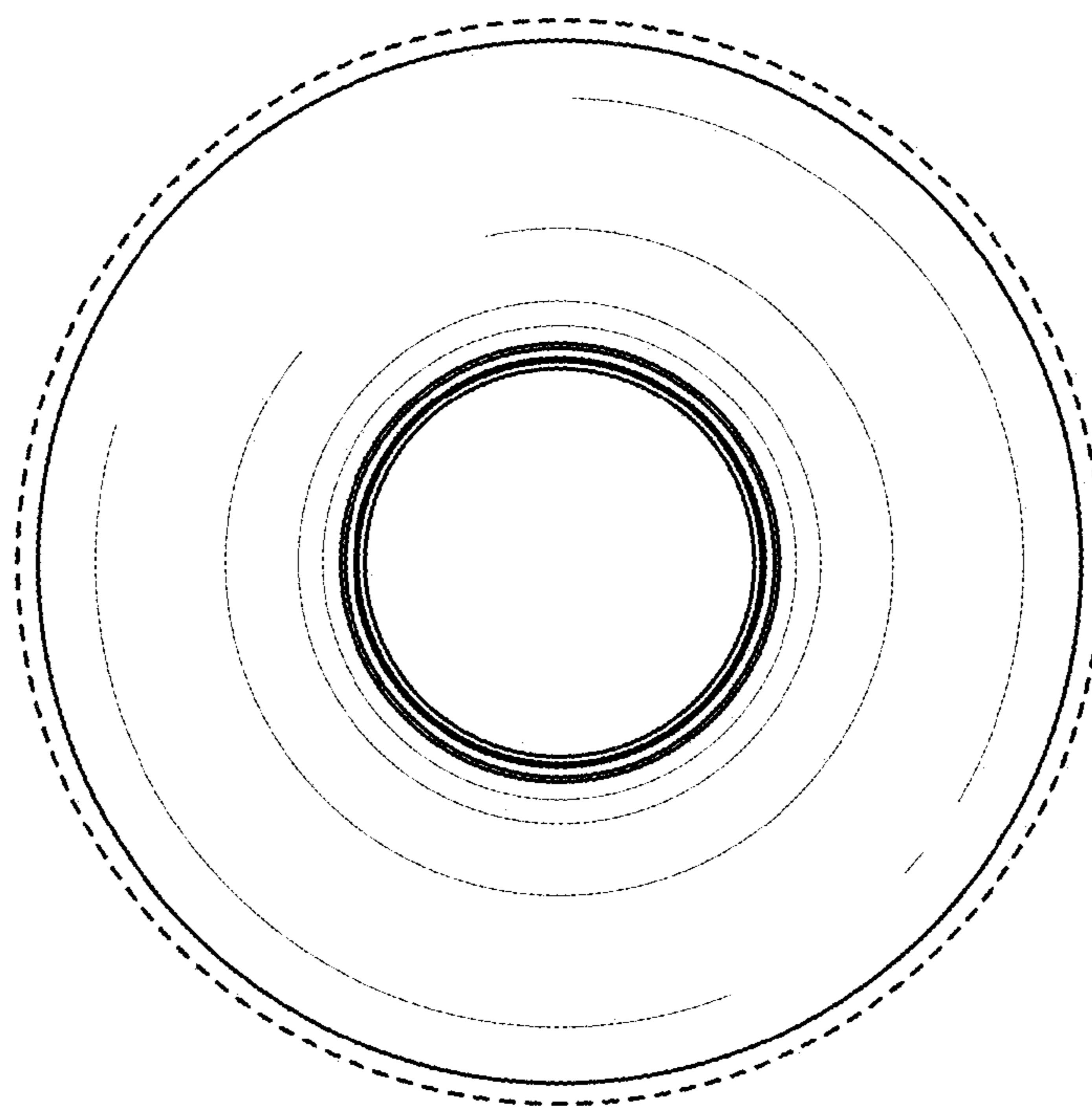


FIG. 31

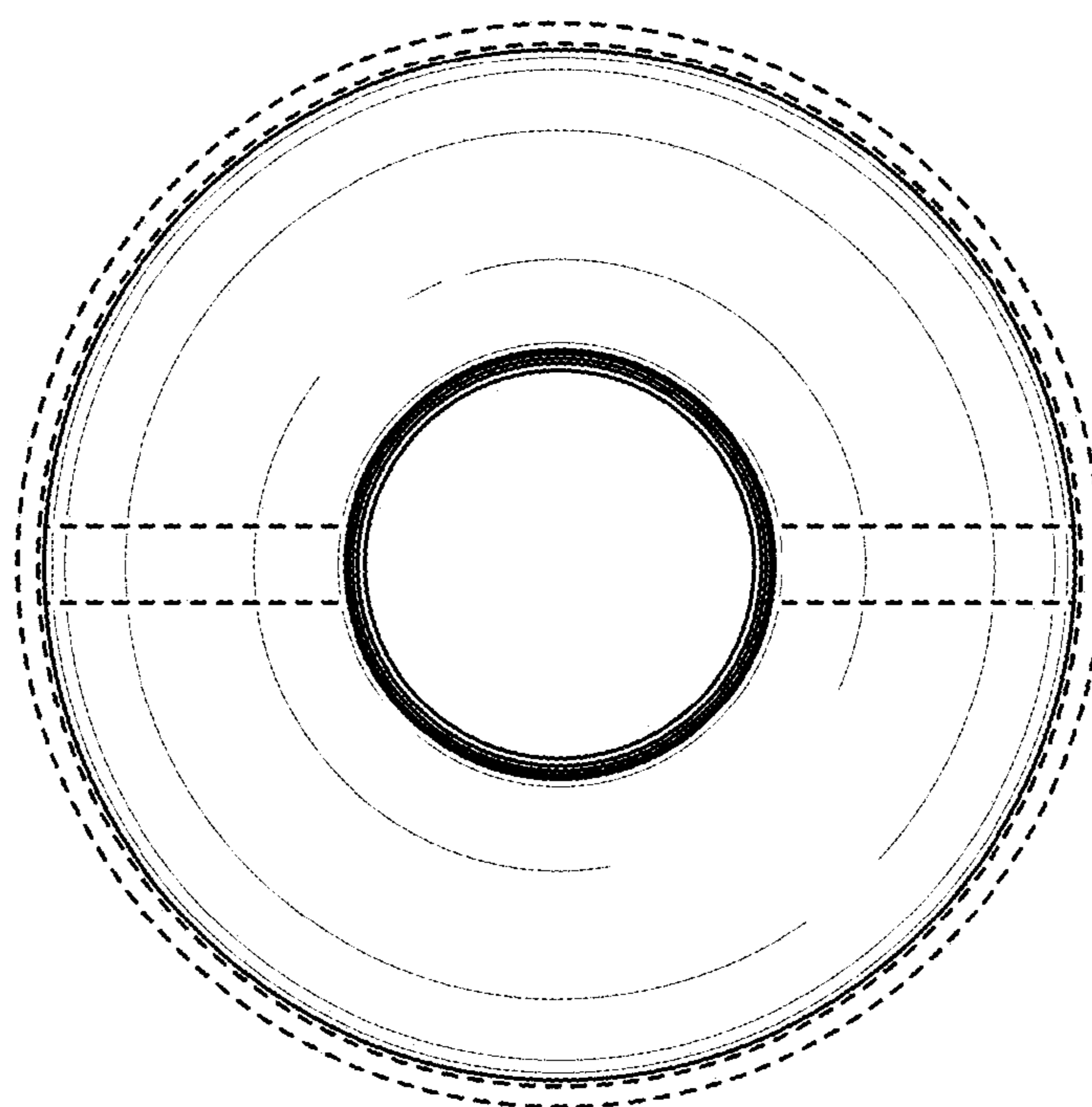


FIG. 32